



微型矩形电连接器选型手册

Miniature rectangular electrical connector selection manual



华德智造·航天精品

HuaDe Intelligent Manufacturing
Aerospace Boutique



Beijing Huade Aerospace Technology Co., LTD

公司简介

北京华德航天科技有限公司注册资金5000万。总部位于中国首都-北京，坐落在北京市中关村生命科学园产业核心区。

公司专业从事军用电连接器、电缆组件、电子控制组件等研发、智造、销售和技术解决方案的国家高新技术企业。研发和制造的电连接器，在国内同行业处于领先水平。现有电连接器等产品100多系列、20万多个品种，产品广泛用于航空、航天、电子、兵器、交通、船舶、能源和通讯等领域。

公司以“一总一院一基”的战略发展布局（总部和研究院设在北京，生产基地位于西安）。致力于提供“高品质、高响应、高服务、低成本”一站式最优化互连解决方案，竭诚与您合作，携手共进，共同促进国防工业的发展。

COMPANY PROFILE

Beijing Huade Aerospace Technology Co., Ltd. is 50.0 million. Headquartered in the Chinese capital-beijing, Located in the industrial core area of Zhongguancun life science park.

Companies specializing in military electrical connectors, cable components, electronic control components and other R & D, intelligent manufacturing, sales and technical solutions of the national high-tech enterprises. R & D and manufacturing of electrical connector, in the same industry in the leading domestic level. There are more than 100 series and more than 200,000 varieties of electrical connectors, which are widely used in aviation, aerospace, electronics, weapons, transportation, ship, energy and communication.

The company has a strategic development layout of "One general hospital one base"(the headquarters and Research Institute are located in Beijing, and the production base is located in Xi'an), committed to providing "High-quality, high-response, high-service, low-cost"one-stop optimal interconnection solutions wholeheartedly with you, hand in hand to promote the development of the national defense industry

Our company has a total of 8 types of selection manuals, as follows:

1. Miniature rectangular electrical connector selection manual
2. Printed circuit connector selection manual
3. Circular electric connector selection manual
4. Rf connector selection manual
5. LRM Series modular connector selection manual
6. VPX high-speed connector selection manual
7. Push-pull self-locking connector selection manual
8. Glass sintering connector selection manual

The selection manual is only for the reference of selection and contract signing, and cannot be used as the basis for product design and acceptance. Please refer to the actual consultation, contract, and related technical specifications.

J63A series smaller rectangular electrical connector

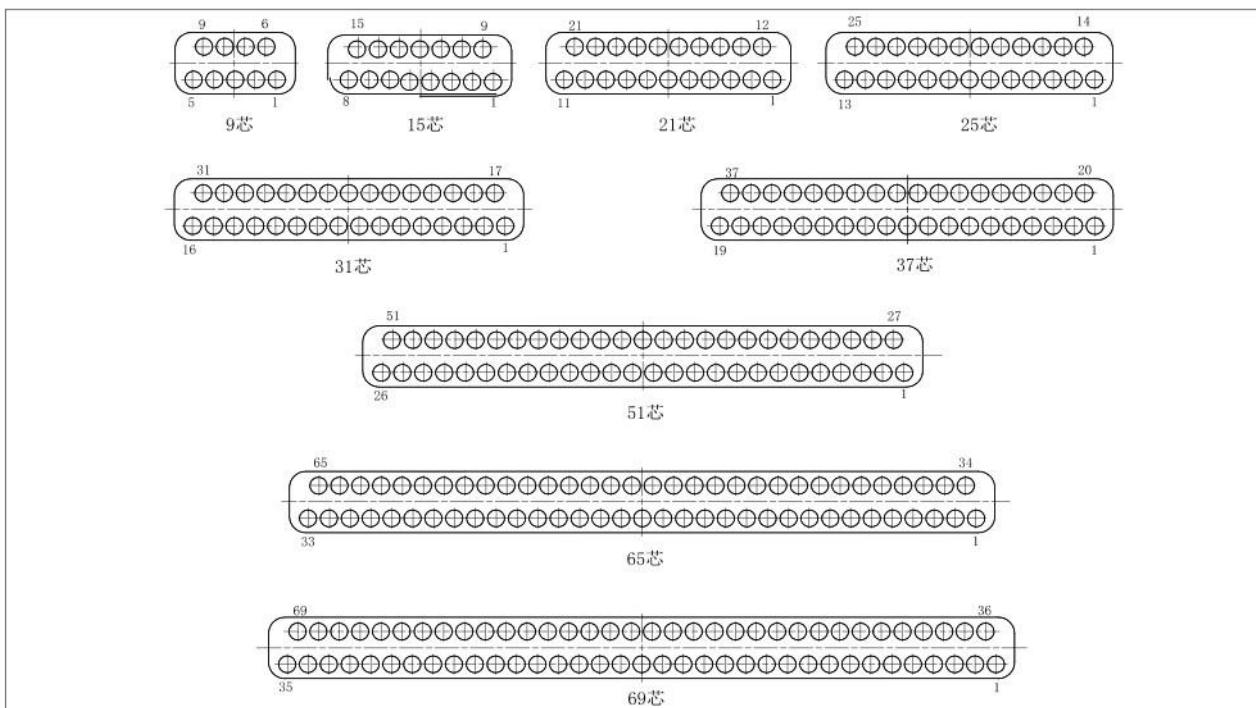
Brief introduction of characteristics

- Core number: 9, 15, 21, 25, 31, 37, 51, 65, 69 core nine specifications
- Using twisted wire elastic nanopin (commonly known as twist needle), the spacing is 0.635mm, and the outline size is small
- Plugs and sockets are generally connected by screws and nuts, and are inserted and removed gently and locked reliably
- It is suitable for interconnection of various electrical circuit systems with high density, miniaturization, lightweight and high reliability requirements, and meets the needs of lightweight and miniaturization of the system
- The end of the twist needle is a plug, and the end of the jack is a socket; The one with locking screw is free end, and the one with connecting nut is fixed end; The conventionally paired free ends and fixed ends are joined and locked with locking screws and connecting nuts
- The cross-sectional area of the product crimp wire is 0.035mm² No
- dimensional tolerance is ± 0.13

Technical characteristics

- Ambient temperature: -55°C ~ +125°C
- vibrationMotion: 10Hz ~ 2000Hz 196m/s²
- Random vibration: Power spectral density 0.4G²/Hz total speed root mean square value of 23.1G
- impact: 980m/s² 6ms
- Rated current: 1A
- Contact resistance: ≤21mΩ
- Insulation resistance: ≥ 5000M Ω 100 VDC
- Dielectric voltage: 250V
- Mechanical life: 200 cycles

Spectral arrangement



Note: The above arrangement is an example of the top view of the end face of the plug butt.

J63A series smaller rectangular electrical connector

Model designation

J63A - × × × - ××× - ×× × ×××
 ① ② ③ ④ ⑤ ⑥ ⑦ ⑧

- ① Principal name code: J63A
- ② Contact rows: 2- Indicates two rows of contacts
- ③ Product Type:

1- Straight plug (crimp/straddle type) 3- Install the crimp plug horizontally 5 - Vertical mounting crimping plug with tail cover 7- Horizontal mounting crimping plug with tail cover 9 - A vertical mounting crimping plug A - vertical gauge plug C - a horizontal meter affixed plug E - Bent insert printed board type plug G - In-line printed board type plug J - crimp type connection U- Crimp plug with guide post floating mounting Shell	2 - Straight socket (crimp/straddle) 4 - Install the crimp socket horizontally 6 - Vertical mounting crimp socket with tail cover 8 - Horizontal mounting crimp socket with tail cover 0 - Vertical mounting crimping plug with tail cover B - Vertical gauge socket D - Horizontal meter attached socket F - Bent insert printed board type socket H - Always plug in the printed board type socket W - crimp socket with pilot hole
--	--
- ④ plating: 2 - Nickel plating
- ⑤ Number of contact parts: 9, 15, 21, 25, 31, 37, 51, 65, 69, etc., the number of contact parts is expressed by 3 digits, such as 9 core is 009
- ⑥ Contact termination form:
 - 12 - A vertical/horizontal/straddle type table mount pin
 - 22 - A vertical/horizontal/straddle type table mount jack
 - 13 - A printed board type pin with a pin length of 2.77mm
 - 23 - a live printed board jack, pin length 2.77mm
 - 14 - Insert the printed board pins with a length of 3.56mm
 - 24 - a live printed board type jack, pin length 3.56mm
 - 15 - A live printed board type pin with a pin length of 4.37mm
 - 25 - Insert the printed board jack with a pin length of 4.37mm
 - 16 - crimp type pin
 - 26 - crimp type jack
 - 32 - Bent insert printed board type pin, pin length 2.77mm
 - 43 - Bent PCB type jack, pin length 2.77mm
 - 33- Bent insert printed board type pin, pin length 3.56mm
 - 44 - Bent printed board type jack, pin length 3.56mm
 - 34 - Bent insert printed board type pin, pin length 4.37mm
 - 45- Bent PCB type jack, pin length 4.37mm
 - PP - The plug is connected to the plug
 - PS - The plug is connected to the socket
 - SS - The socket is connected to the socket
- ⑦ Contact plating: 1 - gold plating
- ⑧ Lock type: 00 - No locking parts; JC - a locking screw (one slot); Jc1 - locking screw (hex socket, not recommended); TH - Connecting nut; TH1 connection nut for welding installation function; SH - Guide sleeve with welding mounting function; NH - Guide sleeve with nut mounting; DZ - guide column; DK- Guide hole. (Lock parts are not removable)

Note: If you want to exchange and connect with similar foreign products, please choose our J63 series products (main name code without "A").

J63A series smaller rectangular electrical connector

■ Selection of paired products

Due to the small size of the product, if the plug and socket are not equipped with locking parts, there is no force point when the product is inserted and removed, the product will be difficult to achieve insertion and separation. Therefore, the product needs to be connected by locking screws and connecting nuts (except blind connectors). The screw thread method is used for screwing connection, the insertion and removal process is gentle, does not cause impact on the product, and is conducive to protecting the product and peripheral components. Therefore, under normal circumstances, when pairing connectors are selected, one end should have a connecting nut (TH) and the other end should have a locking screw (JC).

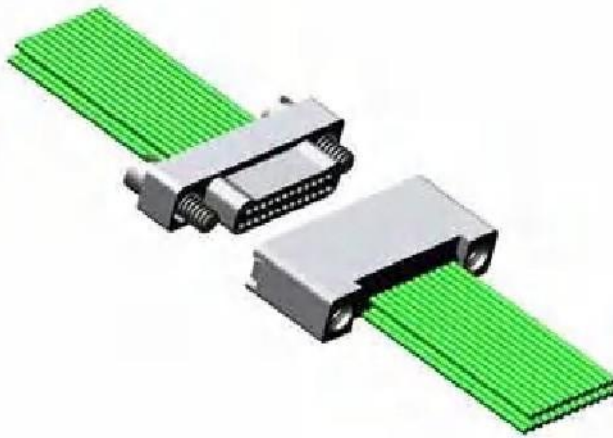
Select a product with guide accessories. The connector is equipped with guide accessories without locking parts. After connecting, secure the mounting plate to prevent the connector from slipping out. When selecting a pairing connector with a guide attachment, one end should have a guide post and the other end should have a guide hole.

■ Typical pairing product

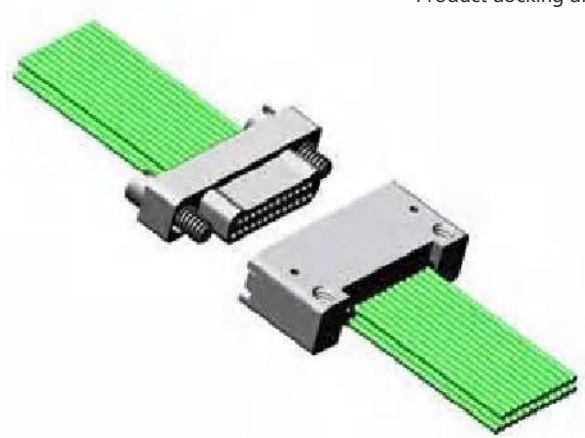
Master type	Pairable model
① Crimping plug with locking screw: J63A-212-×××-161-JC ② Crimping plug with locking screw and tail cover: J63A-252-×××-161-JC ③ Flexible printed board plug with locking screw: J63A-2E2-×××-321-JC ④ Straddle flexible mount plug: J63A-212-×××-121-JC	J63A-222-×××-261-TH (Vertical mounting crimp socket)
	J63A-242-×××-261-TH (Horizontal mounting crimping socket)
	J63A-262-×××-261-TH (Vertical mounting crimp socket with tail cover)
	J63A-282-×××-261-TH (Horizontal mounting crimp socket with tail cover)
	J63A-2B2-×××-221-TH (Vertical surface mount socket)
	J63A-2B2-×××-221-TH1 (Vertical table mount welding socket)
	J63A-2B2-×××-221-SH (Vertical table mount welding socket)
	J63A-2D2-×××-221-TH (Horizontal surface mount socket)
	J63A-2F2-×××-431-TH (bent insert printed board socket)
	J63A-2H2-×××-231-TH (in-line printed board socket)
	J63A-222-×××-221-TH (Straddle type flexible mount socket)
①带锁紧螺钉压接插座: J63A-222-×××-261-JC ②带锁紧螺钉及尾罩压接插座: J63A-262-×××-261-JC	J63A-232-×××-161-TH (Horizontal mounting crimping plug)
	J63A-272-×××-161-TH (horizontal mounting crimping plug with tail cover)
	J63A-2A2-×××-121-TH (Vertical surface mount plug)
	J63A-2C2-×××-121-TH (Horizontal surface mount plug)
	J63A-2E2-×××-321-TH (bent insert printed board plug)
	J63A-2G2-×××-131-TH (Live printed board plug)
	J63A-292-×××-161-TH (Vertical mounting crimping plug)
	J63A-202-×××-161-TH (vertical mounting crimping plug with tail cover)
J63A-262-×××-131-DZ	J63A-2W2-×××-261-00 (Crimped socket with guide hole flange)
	J63A-222-×××-261-NH (Crimping socket with guide hole nut mounting)
	J63A-2B2-×××-221-NH (with guide hole nut mounting table socket)
	J63A-2B2-×××-221-SH (with guide hole welded mounting table socket)
	J63A-2F2-×××-431-DK (bend socket with guide hole)
	J63A-2H2-×××-231-DK (straight socket with guide hole)

J63A series smaller rectangular electrical connector

Product docking diagram



Crimp plug, crimp socket (vertical mounting)



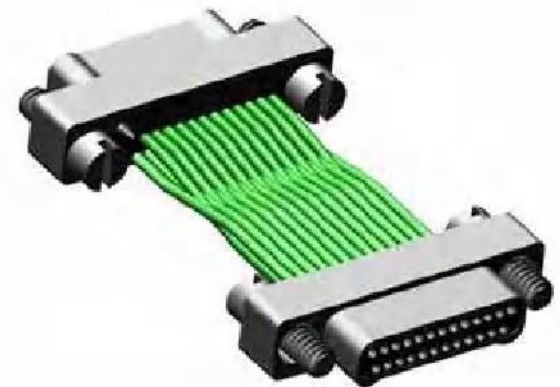
Crimp plug, crimp socket (horizontal mounting)



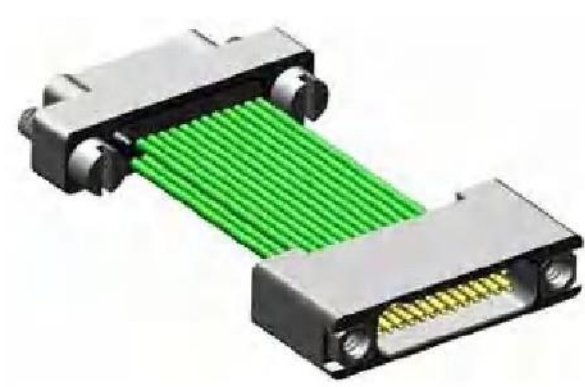
Crimp socket, crimp plug (horizontal mounting)



Crimp socket, crimp plug (vertical mounting)



Pressure connector



Pressure connector

J63A series smaller rectangular electrical connector

Product docking diagram



Floating mounting crimping plug, crimping socket (flange mounting)



Floating mounting crimping plug, crimping socket (bolt and nut mounting)



Crimp shielded plug, crimp shielded socket (vertical mounting)



Crimp shield socket, crimp shield plug (vertical mounting)



Crimp shielded plug, crimp shielded socket (horizontal mounting)



Crimp shield socket, crimp shield plug (horizontal installation)

J63A series smaller rectangular electrical connector

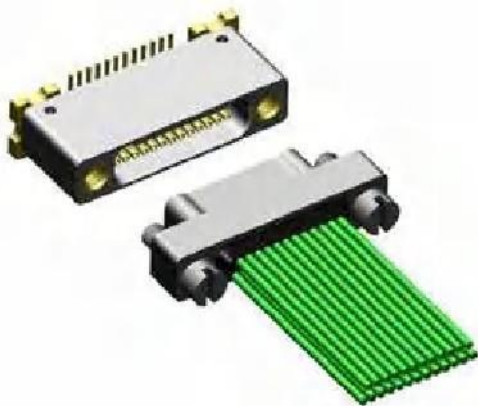
Product docking diagram



Crimp socket, vertical gauge plug



Crimp plug, vertical gauge socket



Vertical gauge socket (welded mounting), crimp plug



Floating mounting crimp plug, vertical gauge socket (welded mounting)



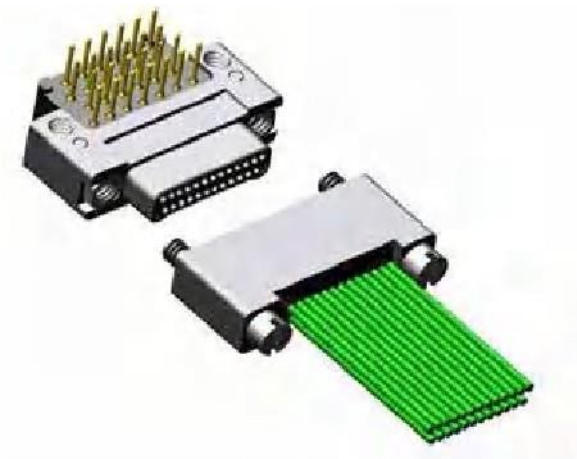
Crimp socket, level gauge stick plug



Crimp plug, horizontal gauge stick socket

J63A series smaller rectangular electrical connector

Product docking diagram



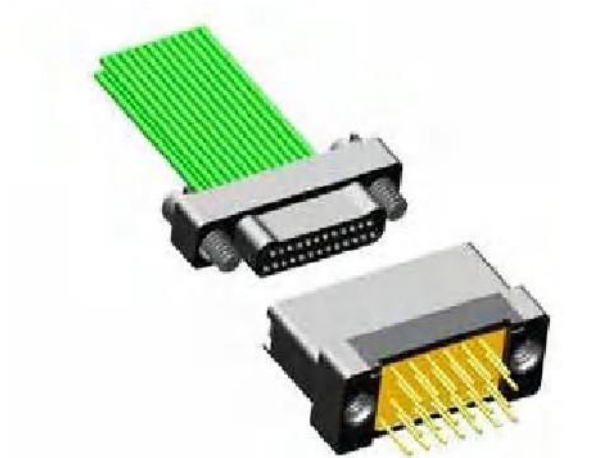
Bent insert printed board plug, crimp socket



Crimp plug, bend insert printed board socket



Crimp socket, live printed board plug



Crimp plug, in-line printed board socket



Horizontal meter mount socket, straddle flexible mount plug



Bent insert printed board plug, horizontal meter attached socket

J63A series smaller rectangular electrical connector

Product docking diagram



Bent socket (with guide hole), bent plug (with guide post)



In-line socket (with guide hole), in-line plug (with guide post)



Vertical gauge socket (nut mount), vertical gauge plug (with guide post)

J63A series smaller rectangular electrical connector

J63A Basic crimping series/Crimping plug series

Order mark

J63A - 2 1 2 - 025 - 16 1 JC
 ① ② ③ ④ ⑤ ⑥ ⑦ ⑧

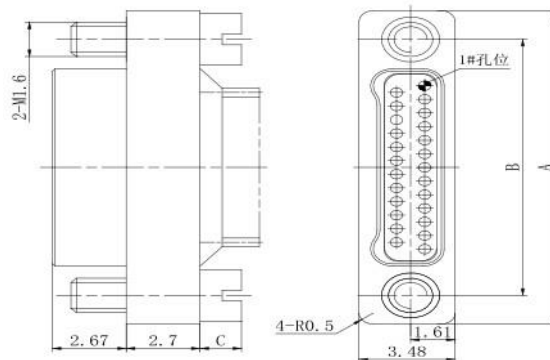
- ① Nominal code
- ② Contact rows: 2 rows
- ③ Connector type: 1 - Crimp plug
- ④ Shell plating: 2 - Nickel plating
- ⑤ Number of contacts: 009, 015, 021, 025, 031, 037, 051, 065, 069
- ⑥ Contact type: 16 - crimped pin
- ⑦ Contact plating: 1 gold plating
- ⑧ Locking type: JC a locking screw (slot, C size =1.5)
 Jc1 locking screw (hex socket, C size =2.1)



Correlation description

- The connector is a free end and is not installed. It is usually connected to a socket with a connecting nut. Locking screws are riveted and fixed on the shell and cannot be removed.
- Under normal circumstances, a slotted locking screw (JC) should be selected, which can be tightened with a small flat-head screwdriver, or the main telescopic flat-head screwdriver produced by our company can be used.
- When using the hexagonal locking screw (Jc1), it is necessary to tighten the hexagonal screwdriver with a side of 1.27mm. The user can use the special hexagonal screwdriver produced by our company.

Product dimensions drawing



spectrum	size		spectrum	size		spectrum	size	
	A	B		A	B		A	B
9-core	9.63	6.86	15-core	11.53	8.76	21-core	13.44	10.67
25-core	14.71	11.94	31-core	16.61	13.84	37-core	18.52	15.75
51-core	22.96	20.19	65-core	27.41	24.64	69-core	28.68	25.91

J63A series smaller rectangular electrical connector

J63A crimping socket series with locking screw

Order mark

J63A - 2 2 2 - 025 - 26 1 - JC
 ① ② ③ ④ ⑤ ⑥ ⑦ ⑧

- ① Main name: J63A
- ② Contact rows: 2 rows
- ③ Connector type: 2 - crimp socket
- ④ Shell plating: 2 - Nickel plating
- ⑤ Number of contacts: 009, 015, 021, 025, 031, 037, 051, 065, 069
- ⑥ Contact type: 26 - crimped jack
- ⑦ Contact plating: 1 gold plating
- ⑧ Locking type: JC a locking screw (slot, C size = 1.5)

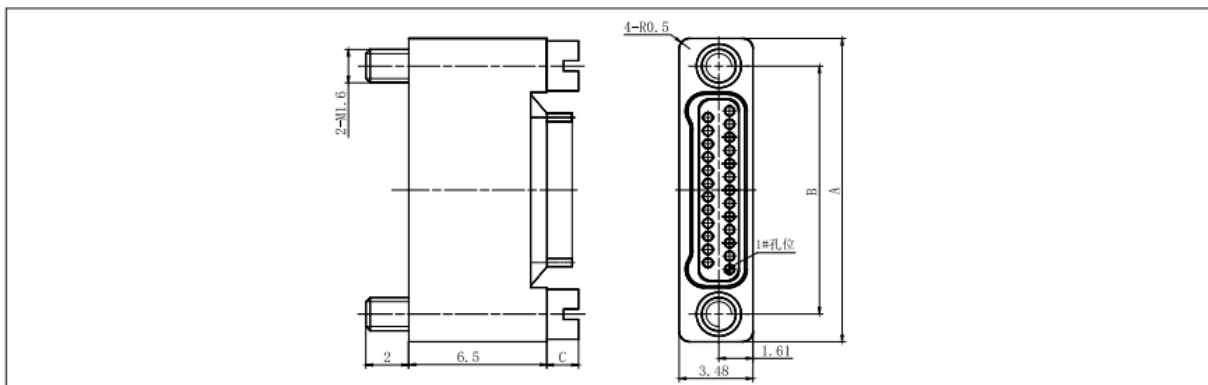
Jc1 locking screw (hex socket, C size =2.1)



Correlation description

- The connector is a free end and is not installed. It is usually connected to a plug with a connecting nut. Locking screws are riveted and fixed on the shell and cannot be removed.
- Under normal circumstances, a slotted locking screw (JC) should be selected, which can be tightened with a small flat-head screwdriver, or the main telescopic flat-head screwdriver produced by our company can be used.
- When the hex locking screw (JC1) is selected, it is necessary to tighten the hex screwdriver with a side of 1.27mm. The user can choose the special hex screwdriver produced by our company.

Product dimensions drawing



spectrum	size		spectrum	size		spectrum	size	
	A	B		A	B		A	B
9-core	9.63	6.86	15-core	11.53	8.76	21-core	13.44	10.67
25-core	14.71	11.94	31-core	16.61	13.84	37-core	18.52	15.75
51-core	22.96	20.19	65-core	27.41	24.64	69-core	28.68	25.91

J63A series smaller rectangular electrical connector

J63A vertical mounting crimp socket series

Order mark

J63A - 2 2 2 - 025 - 26 1 TH
 ① ② ③ ④ ⑤ ⑥ ⑦ ⑧

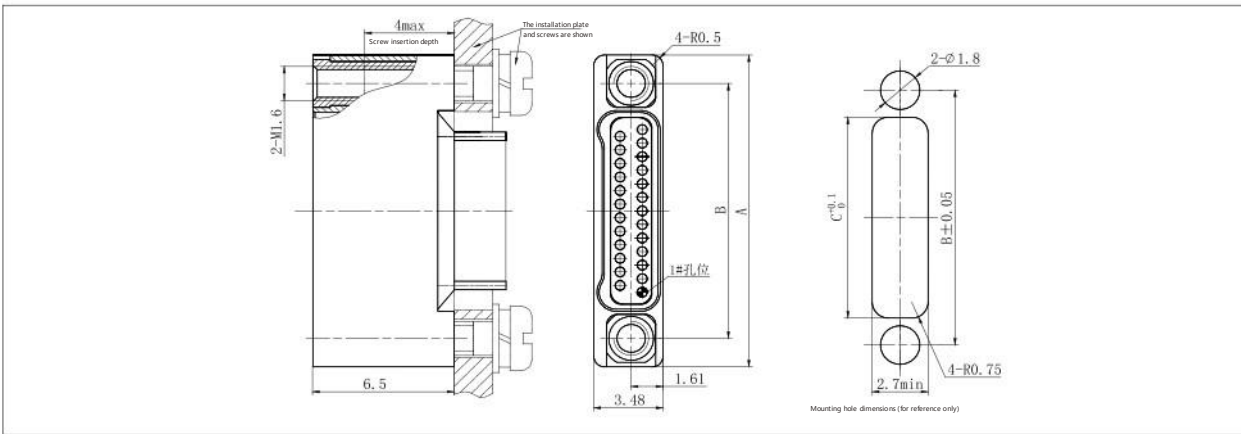
- ① Main name: J63A
- ② Contact rows: 2 rows
- ③ Connector type: 2 - crimp socket
- ④ Shell plating: 2 - Nickel plating
- ⑤ Number of contacts: 009, 015, 021, 025, 031, 037, 051, 065, 069
- ⑥ Contact type: 26 - crimped jack
- ⑦ Contact plating: 1 - gold plating
- ⑧ Lock type: TH - Connecting nut



Correlation description

- The connecting nut is of through-thread structure. The front thread is used for locking with the locking screw, and the rear thread is used for installation.
- Connectors are generally connected to plugs with locking screws.

Product dimensions drawing



spectrum	size			spectrum	size			spectrum	size		
	A	B	C		A	B	C		A	B	C
9-core	9.63	6.86	4.2	15-core	11.53	8.76	6.1	21-core	13.44	10.67	8
25-core	14.71	11.94	9.3	31-core	16.61	13.84	11.2	37-core	18.52	15.75	13.1
51-core	22.96	20.19	17.55	65-core	27.41	24.64	22	69-core	28.68	25.91	23.25

J63A series smaller rectangular electrical connector

J63A vertical mounting crimping plug series

Order mark

J63A - 2 9 2 - 025 - 16 1 TH
 ① ② ③ ④ ⑤ ⑥ ⑦ ⑧

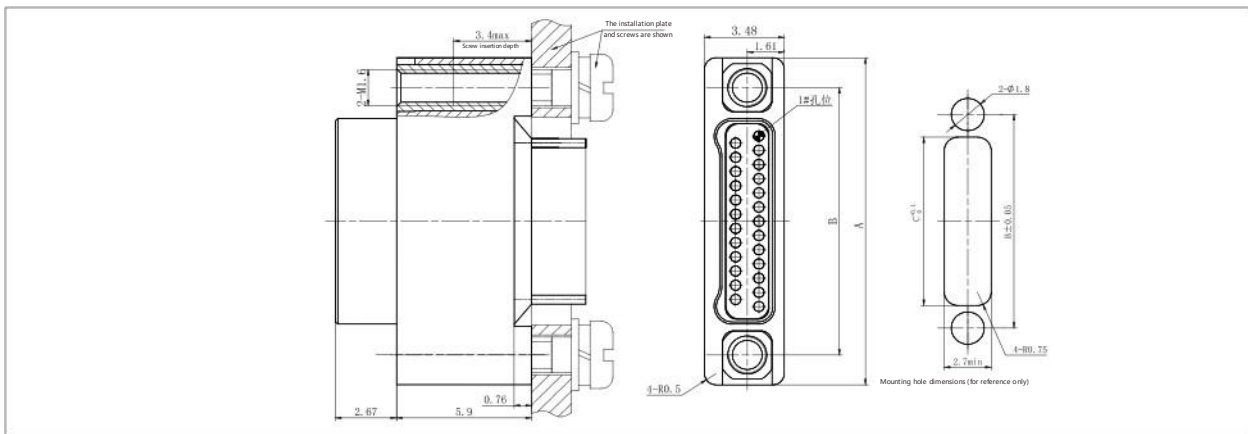
- ① Nominal code
- ② Contact rows: 2 rows
- ③ Contact rows: 2 rows
- ④ Shell plating: 2 - Nickel plating
- ⑤ Number of contacts: 009, 015, 021, 025, 031, 037, 051, 065, 069
- ⑥ Contact type: 16 - crimped pin
- ⑦ Contact plating: 1 contact plating
- ⑧ Lock type: TH - Connecting nut



Correlation description

- The connecting nut is of through-thread structure. The front thread is used for locking with the locking screw, and the rear thread is used for installation.
- Connectors are generally connected to sockets with locking screws.

Product dimensions drawing



spectrum	size			spectrum	size			spectrum	size		
	A	B	C		A	B	C		A	B	C
9-core	9.63	6.86	4.2	15-core	11.53	8.76	6.1	21-core	13.44	10.67	8
25-core	14.71	11.94	9.3	31-core	16.61	13.84	11.2	37-core	18.52	15.75	13.1
51-core	22.96	20.19	17.55	65-core	27.41	24.64	22	69-core	28.68	25.91	23.25

J63A series smaller rectangular electrical connector

J63A Horizontal mounting crimping plug series

Order mark

J63A - 2 3 2 - 025 - 16 1 TH
 ① ② ③ ④ ⑤ ⑥ ⑦ ⑧

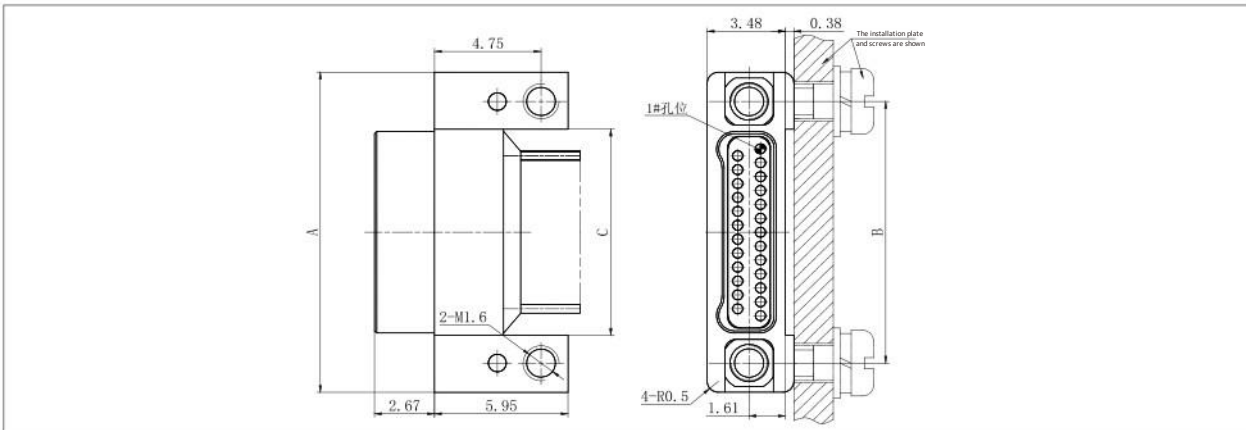
- ① Nominal code
- ② Contact rows: 2 rows
- ③ Connector type: 3 - Horizontal installation plug Shell
- ④ plating: 2 - Nickel plating
- ⑤ Number of contacts: 009, 015, 021, 025, 031, 037, 051, 065, 069
- ⑥ Contact type: 16 - crimped pin
- ⑦ Contact plating: 1 - gold plating
- ⑧ Lock type: TH - Connecting nut



Correlation description

- The connectors are installed horizontally. When installing the connectors, contact the long row of end-attached mounting plates.
- Connectors are generally connected to sockets with locking screws.

Product dimensions drawing



spectrum	size			spectrum	size			spectrum	size		
	A	B	C		A	B	C		A	B	C
9-core	9.63	6.86	4.31	15-core	11.53	8.76	6.22	21-core	13.44	10.67	8.13
25-core	14.71	11.94	9.40	31-core	16.61	13.84	11.30	37-core	18.52	15.75	13.21
51-core	22.96	20.19	17.65	65-core	27.41	24.64	22.10	69-core	28.68	25.91	23.37

J63A series smaller rectangular electrical connector

J63A horizontal mounting crimp socket series

Order mark

J63A - 2 4 2 - 025 - 26 1 TH
 ① ② ③ ④ ⑤ ⑥ ⑦ ⑧

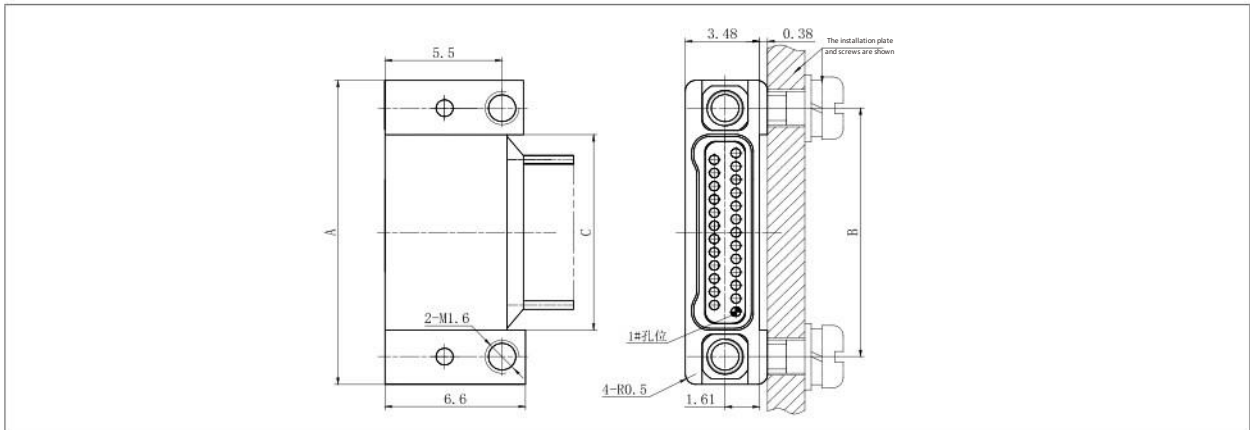
- ① Nominal code
- ② Contact rows: 2 rows
- ③ Connector type: 4- Horizontal mounting socket Shell
- ④ plating: 2 - Nickel plating
- ⑤ Number of contacts: 009, 015, 021, 025, 031, 037, 051, 065, 069
- ⑥ Contact type: 26 - crimped jack
- ⑦ Contact plating 1 - gold plating
- ⑧ Lock type TH a connecting nut



Correlation description

- The connectors are installed horizontally. When installing the connectors, contact the long row of end-attached mounting plates.
- Connectors are generally connected to plugs with locking screws.

Product dimensions drawing



spectrum	size			spectrum	size			spectrum	size		
	A	B	C		A	B	C		A	B	C
9-core	9.63	6.86	4.31	15-core	11.53	8.76	6.22	21-core	13.44	10.67	8.13
25-core	14.71	11.94	9.40	31-core	16.61	13.84	11.30	37-core	18.52	15.75	13.21
51-core	22.96	20.19	17.65	65-core	27.41	24.64	22.10	69-core	28.68	25.91	23.37

J63A series smaller rectangular electrical connector

J63A compression system column

Order mark

J63A - 2 J 2 - 025 - PS 1
 ① ② ③ ④ ⑤ ⑥ ⑦



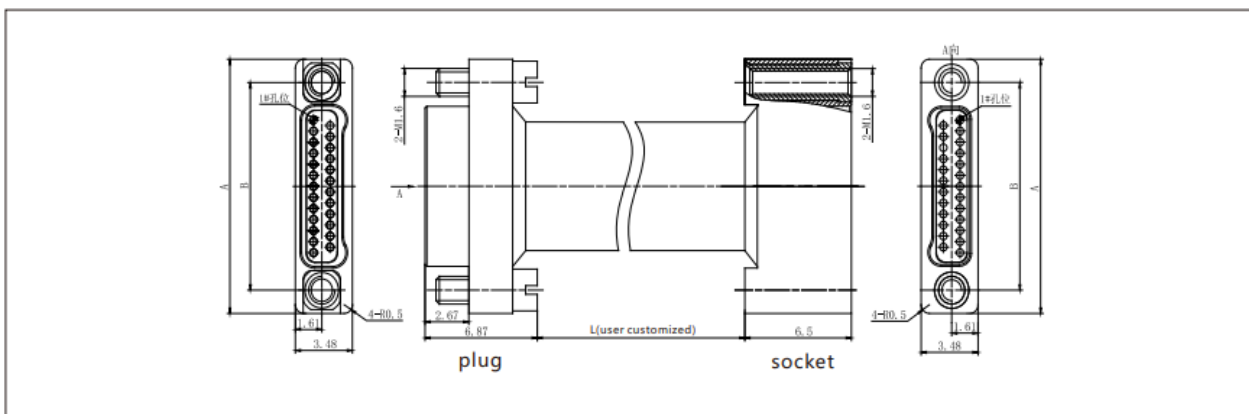
- ① Nominal code
- ② Contact rows: 2 rows
- ③ Connector type :J continuous connector Shell
- ④ plating:2 - Nickel plating
- ⑤ Number of contacts: 009, 015, 021, 025, 031, 037, 051, 065, 069
- ⑥ PP - The plug is connected to the plug, PS a plug is connected to the socket, SS a socket is connected to the socket
- ⑦ Contact plating: 1 - gold plating

Correlation description

- The locking parts of the mark series are matched with: plug with locking screw, socket with connecting nut, and the form is unique. The connection point number corresponds to one by one. If there are other special requirements, order according to "other order mark form".
- The models at both ends of the connector are identified by the order mark. If you order J63A-2J2-025-PS1, the plug and socket type are identified as J63A-2J2025-PS1,
- Other order mark forms:

When ordering connected cables, you can also specifically list the connected product model, indicating that it can be made into connected cables, rather than according to the aforementioned "order sign". For example: J63A-212-025-161-JC and J63A-222-025-261-TH conjoined, the point number -- corresponding. (It is recommended to order in this way, which can meet a variety of special requirements)

Product dimensions drawing



spectrum	size		spectrum	size		spectrum	size	
	A	B		A	B		A	B
9-core	9.63	6.86	15-core	11.53	8.76	21-core	13.44	10.67
25-core	14.71	11.94	31-core	16.61	13.84	37-core	18.52	15.75
51-core	22.96	20.19	65-core	27.41	24.64	69-core	28.68	25.91

J63A series smaller rectangular electrical connector

J63A Floating mounting crimping plug series

Order mark

J63A - 2 U 2 - 025 - 16 1 - 00
 ① ② ③ ④ ⑤ ⑥ ⑦ ⑧

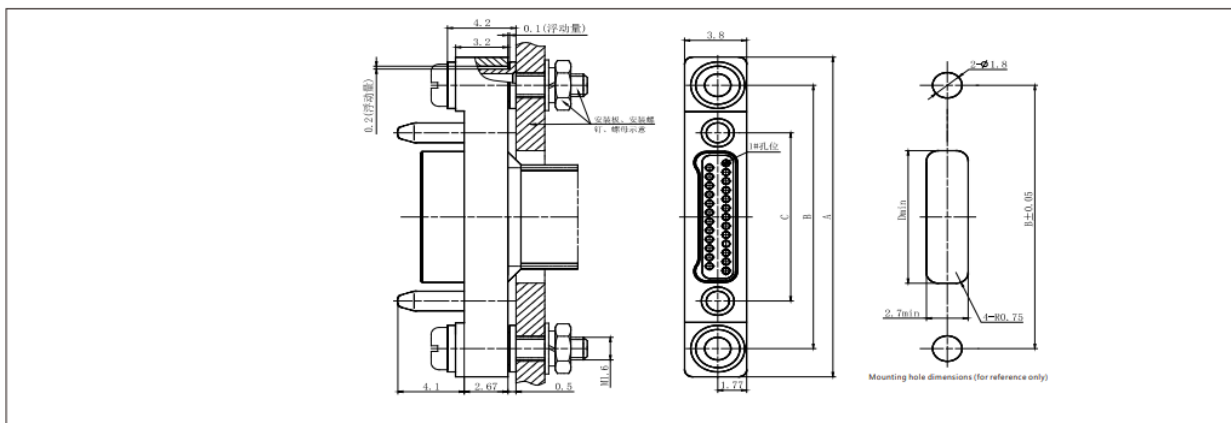
- ① Nominal code
- ② Contact rows: 2 rows
- ③ Connector type: U-floating mounting plug Shell
- ④ plating:2 - Nickel plating
- ⑤ Number of contacts: 009, 015, 021, 025, 031, 037, 051, 065, 069
- ⑥ Contact type: 16 - crimped pin
- ⑦ Contact plating: 1 gold plating
- ⑧ Lock part Type 00 No lock part



Correlation description

- Connectors with guide posts and floating rivets are used where blind connectors are required. The
- connector is usually connected to a socket with a guide hole.

Product dimensions drawing



spectrum	size				spectrum	size				spectrum	size			
	A	B	C	D		A	B	C	D		A	B	C	D
9-core	17.6	13.6	6.86	4.2	15-core	19.5	15.5	8.76	6.1	21-core	21.4	17.4	10.67	8
25-core	22.7	18.7	11.94	9.3	31-core	24.6	20.6	13.84	11.2	37-core	26.5	22.5	15.75	13.1
51-core	30.9	26.9	20.19	17.6	65-core	35.4	31.4	24.64	22	69-core	36.7	32.7	25.91	23.3

J63A series smaller rectangular electrical connector

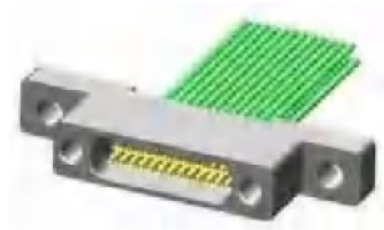
J63A Mounting crimp socket series with guide hole flange

Order mark

J63A - 2 W 2 - 025 - 26 1 - 00

① ② ③ ④ ⑤ ⑥ ⑦ ⑧

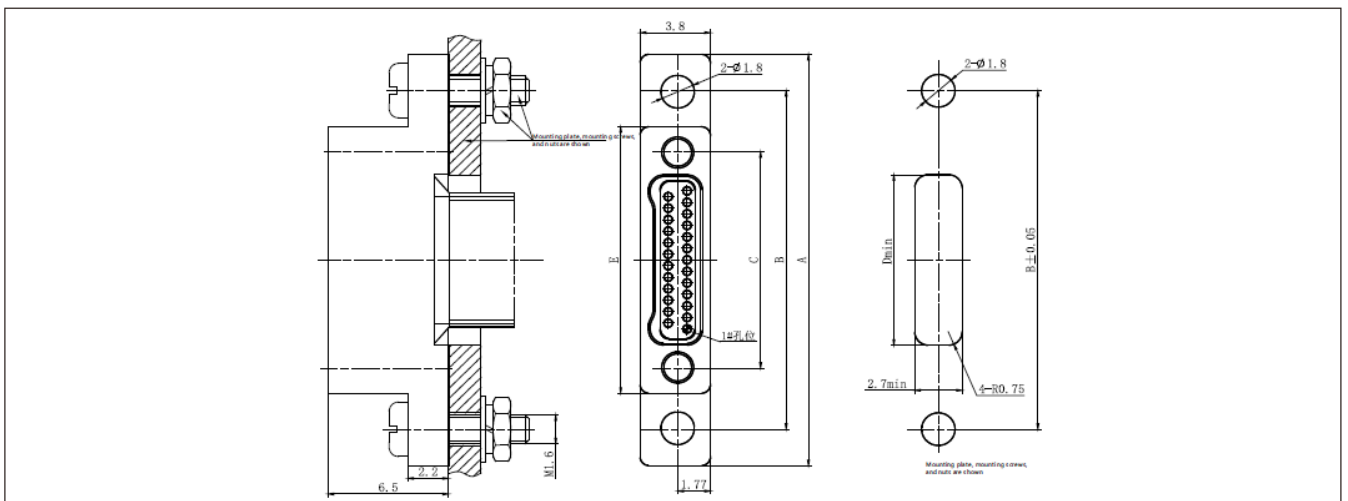
- ① Nominal code
- ② Contact rows: 2 rows
- ③ Connector type: W-Flange mounting socket
- ④ Shell plating: 2 - Nickel plating
- ⑤ Number of contacts: 009, 015, 021, 025, 031, 037, 051, 065, 069
- ⑥ Contact type: 26 - crimped jack
- ⑦ Contact plating: 1 - gold plating
- ⑧ Locking part type: 00 - No locking part



Correlation description

- The connector has a guide hole and is generally interfaced with a plug with a guide post.

Product dimensions drawing



spectrum	size					spectrum	尺寸				
	A	B	C	D	E		A	B	C	D	E
9-core	17.6	13.6	6.86	4.2	9.63	15-core	19.5	15.5	8.76	6.1	11.53
21-core	21.4	17.4	10.67	8	13.44	25-core	22.7	18.7	11.94	9.3	14.71
31-core	24.6	20.6	13.84	11.2	16.61	37-core	26.5	22.5	15.75	13.1	18.52
51-core	30.9	26.9	20.19	17.6	22.96	65-core	35.4	31.4	24.64	22	27.41
69-core	36.7	32.7	25.91	23.3	28.68						

J63A series smaller rectangular electrical connector

Order mark

J63A - 2 2 2 - 025 - 26 1 - NH
 ① ② ③ ④ ⑤ ⑥ ⑦ ⑧

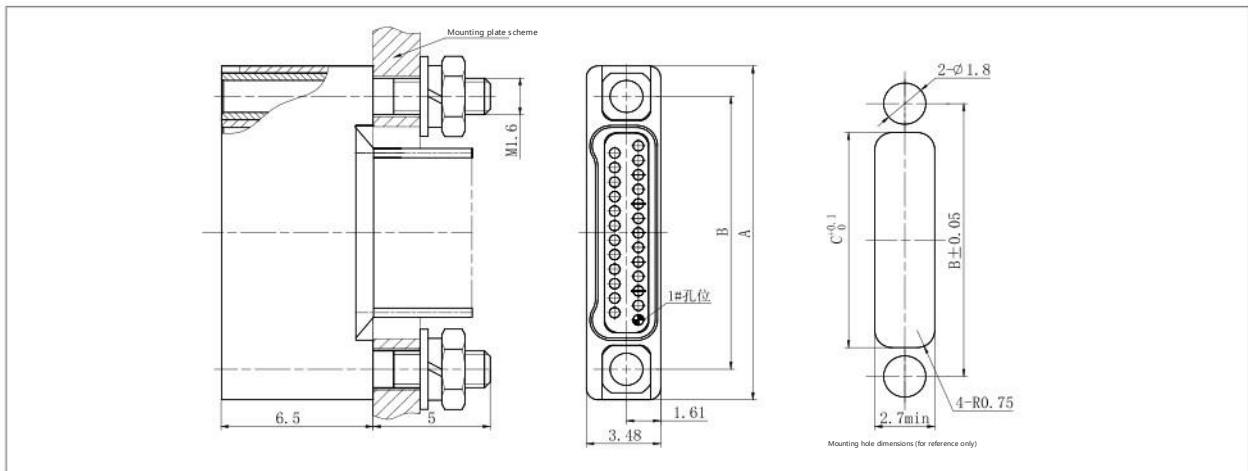
- ① Nominal code
- ② Contact rows: 2 rows
- ③ Connector type: 2 - crimp socket
- ④ Shell plating: 2 - nickel plating
- ⑤ Number of contacts: 009, 015, 021, 025, 031, 037, 051, 065, 069
- ⑥ Contact type: 26 - crimped jack
- ⑦ Contact plating: 1 gold plating
- ⑧ Lock type: NH guide sleeve with nut mounting



Correlation description

- The connector has a guide hole and is generally interfaced with a plug with a guide post.

Product dimensions drawing



spectrum	size			spectrum	size			spectrum	size		
	A	B	C		A	B	C		A	B	C
9-core	9.63	6.86	4.2	15-core	11.53	8.76	6.1	21-core	13.44	10.67	8
25-core	14.71	11.94	9.3	31-core	16.61	13.84	11.2	37-core	18.52	15.75	13.1
51-core	22.96	20.19	17.55	65-core	27.41	24.64	22	69-core	28.68	25.91	23.25

J63A series smaller rectangular electrical connector

J63A crimped plug series with tail cover

Order mark

J63A - ① ② ③ ④ - ⑤ - ⑥ ⑦ - ⑧ JC

- ① Nominal code
- ② Contact rows: 2 rows
- ③ Connector type: 5- Crimped plug with tail cover
- ④ Shell plating: 2 - Nickel plating
- ⑤ Number of contacts: 009, 015, 021, 025, 031, 037, 051, 065, 069
- ⑥ Contact type :16 - crimped pin
- ⑦ Locking type: JC a locking screw (slot, E size = 1.5)
- ⑧ Jc1 locking screw (hex socket, E size = 2.1)

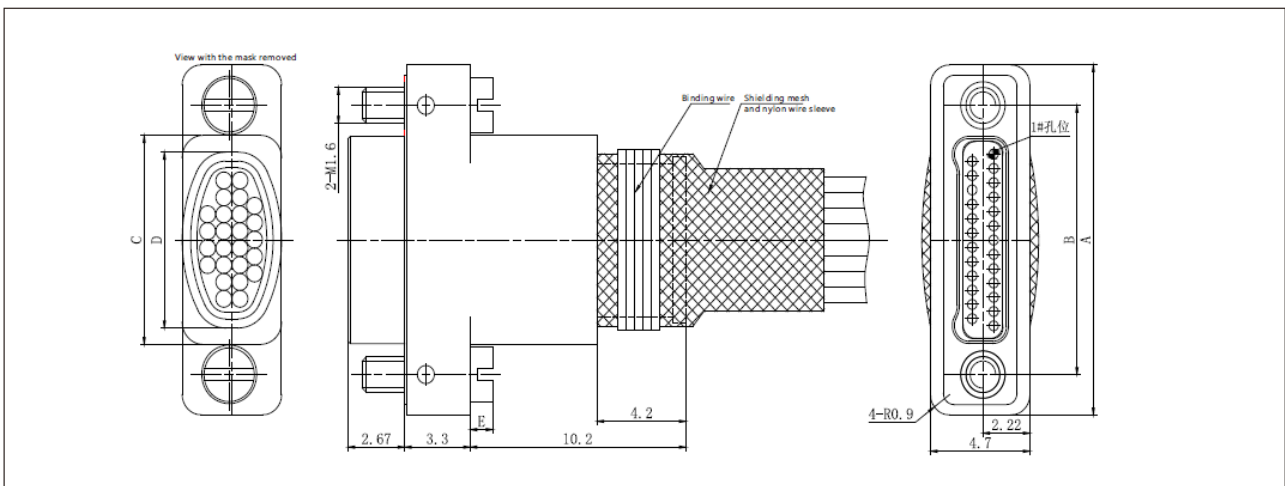


Note: Cable treatment: the default case is to set the shielding net first, and then set the nylon wire sleeve, if you need other treatment methods, please indicate in the contract.

Correlation description

- The connector has an integrated tail cover, and the shielding network is bound to the tail cover to realize the overall shielding of the connector. The tail cover is not removable.
- The connector is a free end and is not installed. It is usually connected to a socket with a connecting nut.
- Under normal circumstances, a slotted locking screw (JC) should be selected and tightened with a small flat-head screwdriver.
- If JC1 is used, tighten the 1.27mm hex screwdriver. screw

Product dimensions drawing



spectrum	size				spectrum	size				spectrum	size			
	A	B	C	D		A	B	C	D		A	B	C	D
9-core	10.5	6.86	4.2	3.7	15-core	12.4	8.76	6.1	5	21-core	14.3	10.67	8	6.6
25-core	15.6	11.94	9.3	7.8	31-core	17.5	13.84	11.2	9.4	37-core	19.4	15.75	13.1	11.2
51-core	23.8	20.19	17.55	15.7	65-core	28.3	24.64	22	20.1	69-core	29.5	25.91	23.25	21.4

J63A series smaller rectangular electrical connector

J63A clamp socket series with locking screw and tail cover

Order mark

J63A - 2 6 2 - 025 - 26 1 - JC
 ① ② ③ ④ ⑤ ⑥ ⑦ ⑧

- ① Nominal code
- ② Contact rows: 2 rows
- ③ Connector type: 6 - Crimped socket with tail cover Shell
- ④ plating: 2 - Nickel plating
- ⑤ Number of contacts: 009, 015, 021, 025, 031, 037, 051, 065, 069
- ⑥ Contact type: 26 - crimped jack
- ⑦ Contact plating: 1 - gold plating
- ⑧ Locking type: Locking type: JC a locking screw (slot, B size =1.5)

JC1 locking screw (hex socket, E size =2.1)

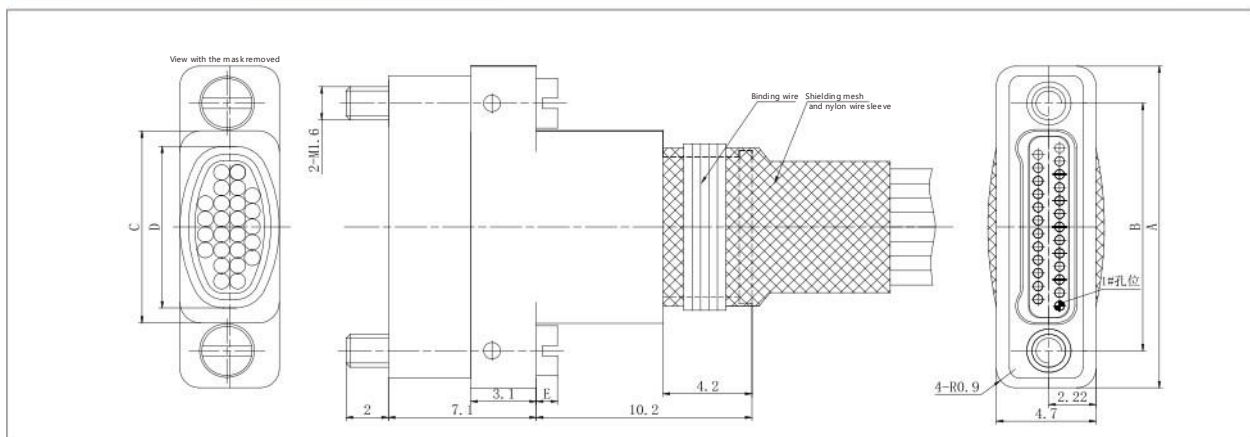


Note: Cable treatment: the default case is to set the shielding net first, and then set the nylon wire sleeve, if you need other treatment methods, please indicate in the contract.

Correlation description

- The connector has an integrated tail cover, and the shielding net is tied to the tail cover to realize the overall electromagnetic shielding of the connector. The tail cover is not removable.
- The connector is a free end and is not installed. It is usually connected to a plug with a connecting nut.
- Under normal circumstances, a slotted locking screw (JC) should be selected and tightened with a small flat-head screwdriver. If JC1 is used, tighten the 1.27mm hex screwdriver.

Product dimensions drawing



spectrum	size				spectrum	size				spectrum	size			
	A	B	C	D		A	B	C	D		A	B	C	D
9-core	10.5	6.86	4.2	3.7	15-core	12.4	8.76	6.1	5	21-core	14.3	10.67	8	6.6
25-core	15.6	11.94	9.3	7.8	31-core	17.5	13.84	11.2	9.4	37-core	19.4	15.75	13.1	11.2
51-core	23.8	20.19	17.55	15.7	65-core	28.3	24.64	22	20.1	69-core	29.5	25.91	23.25	21.4

J63A series smaller rectangular electrical connector

J63A vertical mounting crimp socket series with tail cover

Order mark

J63A - 2 6 2 - 025 - 26 1 - TH
 ① ② ③ ④ ⑤ ⑥ ⑦ ⑧

- ① Nominal code
- ② Contact rows: 2 rows
- ③ Connector type: 6- Crimped socket with tail cover Shell
- ④ plating: 2 - Nickel plating
- ⑤ Number of contacts: 009, 015, 021, 025, 031, 037, 051, 065, 069
- ⑥ Contact type: 26 - crimped jack
- ⑦ Contact plating: 1 - gold plating
- ⑧ Lock type: TH - connecting nut



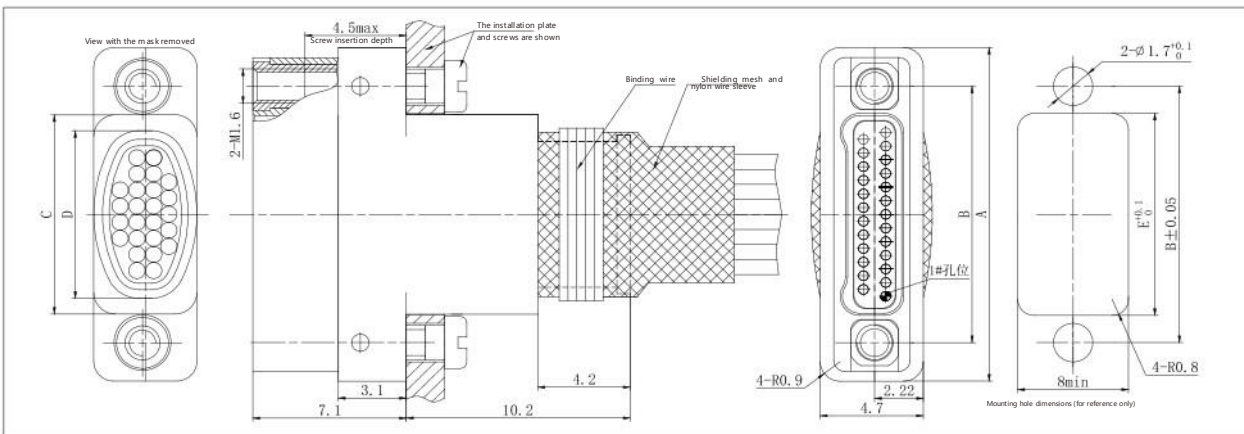
Note: 1, this series of connectors can not be installed with standard M1.6 screws due to size limitations, so provide M1.6×6 special mounting screws, if you need other lengths of screws should be indicated in the contract, such as: provide special M1.6×L screws (L is the length).

2, cable treatment: the default case is first set of shielding net, then set of nylon wire sleeve, if you need other processing methods, please indicate in the contract.

Correlation description

- The connector has an integrated tail cover, and the shielding net is tied to the tail cover to realize the overall electromagnetic shielding of the connector. The tail cover is not removable.
- Connectors are generally connected to plugs with locking screws.

Product dimensions drawing



spectrum	size					spectrum	size				
	A	B	C	D	E		A	B	C	D	E
9-core	10.5	6.86	4.2	3.7	4.3	15-core	12.4	8.76	6.1	5	6.2
21-core	14.3	10.67	8	6.6	8.1	25-core	15.6	11.94	9.3	7.8	9.4
31-core	17.5	13.84	11.2	9.4	11.3	37-core	19.4	15.75	13.1	11.2	13.2
51-core	23.8	20.19	17.55	15.7	17.65	65-core	28.3	24.64	22	20.1	22.1
69-core	29.5	25.91	23.25	21.4	23.35						

J63A series smaller rectangular electrical connector

J63A vertical mounting crimping plug series with tail cover

Order mark

J63A - 2 0 2 - 025 - 16 1 - TH
 ① ② ③ ④ ⑤ ⑥ ⑦ ⑧

- ① Nominal code
- ② Contact rows: 2 rows
- ③ Connector type: 0- Vertical mounting crimping plug with tail cover Shell
- ④ plating: 2 - Nickel plating
- ⑤ Number of contacts: 009, 015, 021, 025, 031, 037, 051, 065, 069
- ⑥ Contact type: 16 - crimped pin
- ⑦ Contact plating: 1 - gold plating
- ⑧ Lock type: TH - Connecting nut



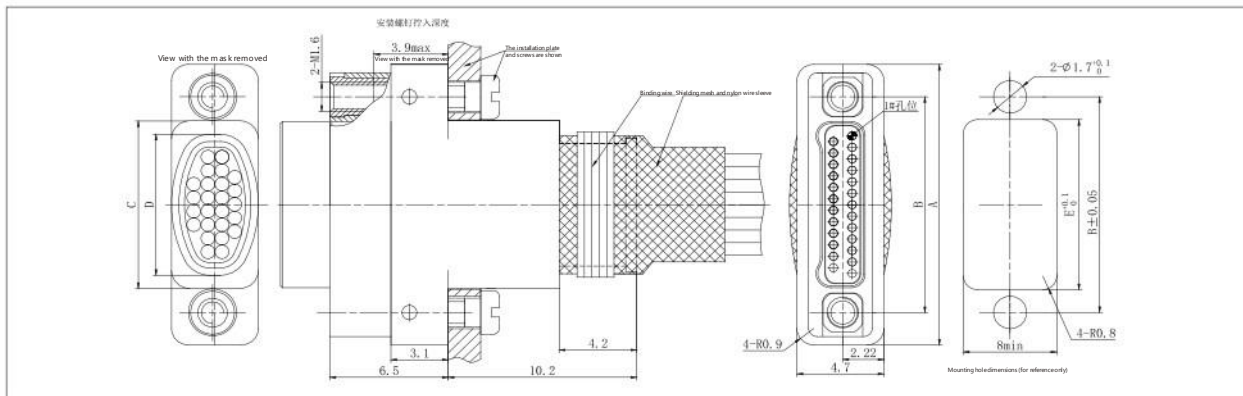
This series of connectors cannot be installed with standard M1.6 screws due to size limitations, so special M1.6x6 mounting screws are provided. If screws of other lengths are required, it should be indicated in the contract, such as: special M1.6xL screws (L is the length) are provided.

Cable treatment: The default is to set the shielding net first, and then set the nylon wire sleeve, if you need other treatment methods, please indicate in the contract.

Correlation description

- The connector has an integrated tail cover, and the shielding net is tied to the tail cover to realize the overall electromagnetic shielding of the connector. The tail cover is not removable.
- Connectors are generally connected to sockets with locking screws.

Product dimensions drawing



spectrum	size					spectrum	size				
	A	B	C	D	E		A	B	C	D	E
9-core	10.5	6.86	4.2	3.7	4.3	15-core	12.4	8.76	6.1	5	6.2
21-core	14.3	10.67	8	6.6	8.1	25-core	15.6	11.94	9.3	7.8	9.4
31-core	17.5	13.84	11.2	9.4	11.3	37-core	19.4	15.75	13.1	11.2	13.2
51-core	23.8	20.19	17.55	15.7	17.65	65-core	28.3	24.64	22	20.1	22.1
69-core	29.5	25.91	23.25	21.4	23.35						

J63A series smaller rectangular electrical connector

J63A horizontal mounting crimping plug series with tail cover

Order mark

J63A - 2 7 2 - 025 - 16 1 - TH
 ① ② ③ ④ ⑤ ⑥ ⑦ ⑧

- ① Nominal code
- ② Contact rows: 2 rows
- ③ Connector type: 7 - Horizontal mounting plug with tail cover Shell
- ④ plating: 2 - Nickel plating
- ⑤ Number of contacts: 009, 015, 021, 025, 031, 037, 051, 065, 06
- ⑥ Contact type: 16 - crimped pin
- ⑦ Contact plating: 1 - gold plating
- ⑧ Lock type: TH - connecting nut

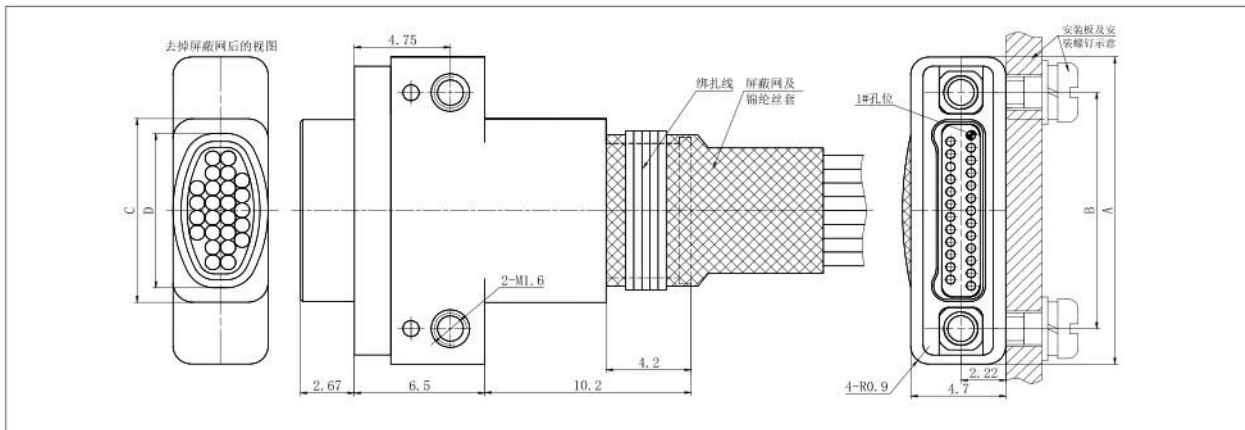


Note: Cable treatment: the default case is to set the shielding net first, and then set the nylon wire sleeve, if you need other treatment methods, please indicate in the contract.

Correlation description

- The connector has an integrated tail cover, and the shielding net is tied to the tail cover to realize the overall electromagnetic shielding of the connector. The tail cover is not removable.
- The connectors are installed horizontally. When installing the connectors, contact the long row of end-attached mounting plates.
- Connectors are generally connected to sockets with locking screws.

Product dimensions drawing



spectrum	size				spectrum	size				spectrum	size			
	A	B	C	D		A	B	C	D		A	B	C	D
9-core	10.5	6.86	4.2	3.7	15-core	12.4	8.76	6.1	5	21-core	14.3	10.67	8	6.6
25-core	15.6	11.94	9.3	7.8	31-core	17.5	13.84	11.2	9.4	37-core	19.4	15.75	13.1	11.2
51-core	23.8	20.19	17.55	15.7	65-core	28.3	24.64	22	20.1	69-core	29.5	25.91	23.25	21.4

J63A series smaller rectangular electrical connector

J63A horizontal mounting crimp socket series with tail cover

Order mark

J63A - 2 8 2 - 025 - 26 1 - TH
 ① ② ③ ④ ⑤ ⑥ ⑦ ⑧

- ① Nominal code
- ② Contact rows: 2 rows
- ③ Connector type: 8 - Horizontal mounting crimp socket with tail cover Shell
- ④ plating:2 - Nickel plating
- ⑤ Number of contacts: 009, 015, 021, 025, 031, 037, 051, 065, 069
- ⑥ Contact type :26 - crimped jack
- ⑦ Contact plating: 1 gold plating
- ⑧ Lock type: TH - connecting nut

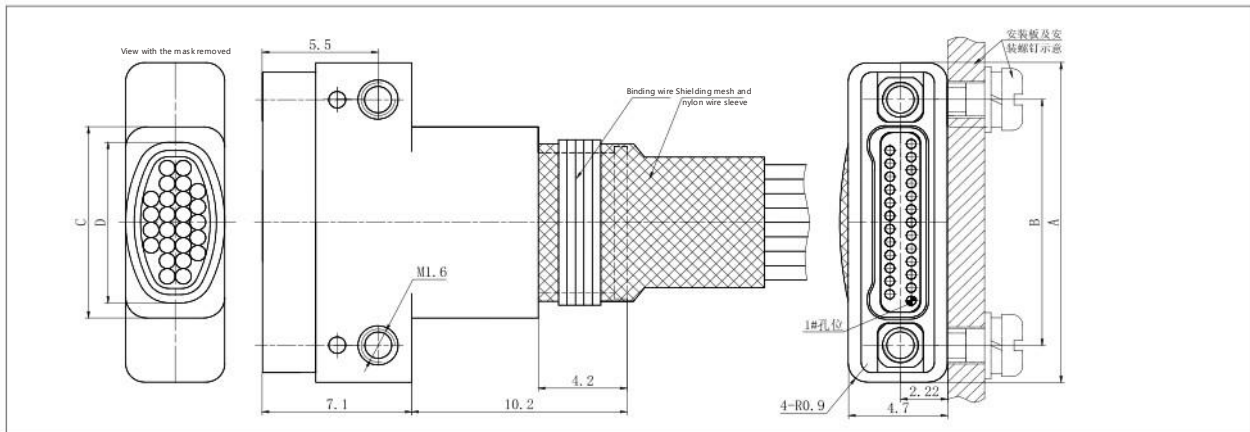


Note: Cable treatment: the default case is to set the shielding net first, and then set the nylon wire sleeve, if you need other treatment methods, please indicate in the contract.

Correlation description

- The connector has an integrated tail cover, and the shielding net is tied to the tail cover to realize the overall electromagnetic shielding of the connector. The tail cover is not removable.
- The connectors are installed horizontally. When installing the connectors, contact the long row of end-attached mounting plates. Connectors are generally connected to plugs with locking screws.

Product dimensions drawing



spectrum	size				spectrum	size				spectrum	size			
	A	B	C	D		A	B	C	D		A	B	C	D
9-core	10.5	6.86	4.2	3.7	15-core	12.4	8.76	6.1	5	21-core	14.3	10.67	8	6.6
25-core	15.6	11.94	9.3	7.8	31-core	17.5	13.84	11.2	9.4	37-core	19.4	15.75	13.1	11.2
51-core	23.8	20.19	17.55	15.7	65-core	28.3	24.64	22	20.1	69-core	29.5	25.91	23.25	21.4

J63A series smaller rectangular electrical connector

J63A vertical surface Mount series /J63A vertical table mount plug series

Order mark

J63A - 2 A 2 - 025 - 12 1 - TH
 ① ② ③ ④ ⑤ ⑥ ⑦ ⑧

- ① Nominal code
- ② Contact rows: 2 rows
- ③ Connector type: A vertical table plug
- ④ Shell plating: 2 - Nickel plating
- ⑤ Number of contacts: 009, 015, 021, 025, 031, 037, 051, 065, 069
- ⑥ Contact type: 12 - vertical surface mount pin
- ⑦ Contact plating: 1- contact plating
- ⑧ Lock type: TH - connecting nut
DZ - Guide post



J63A-2A2-025-121-TH

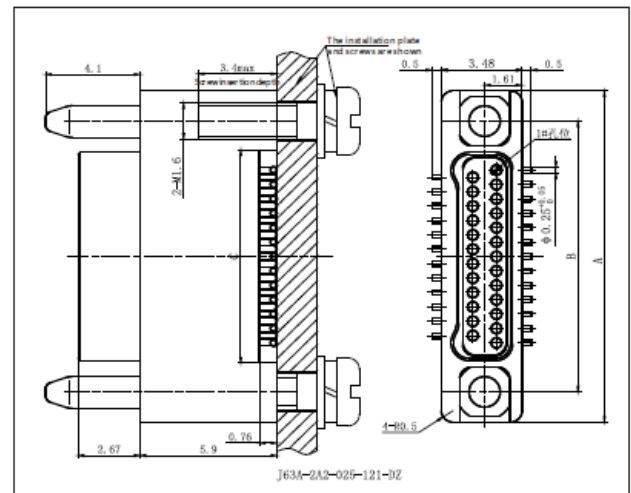
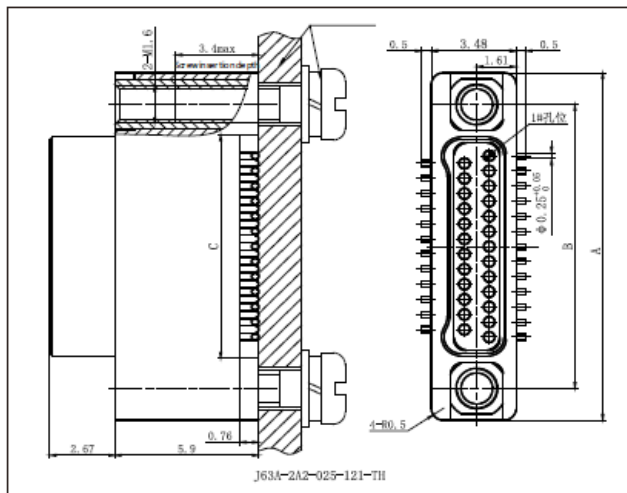


J63A-2A2-025-121-DZ

Correlation description

- The connectors are welded using SMT technology.
- J63A-2A2-025-121-TH is generally connected to a socket with a locking screw, and J63A-2A2-025-121-DZ is generally connected to a socket with a guide hole (or guide sleeve).
- The pin is soft and easy to deform, and should be protected when used.

Product dimensions drawing

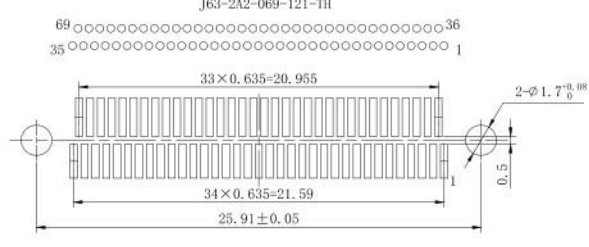
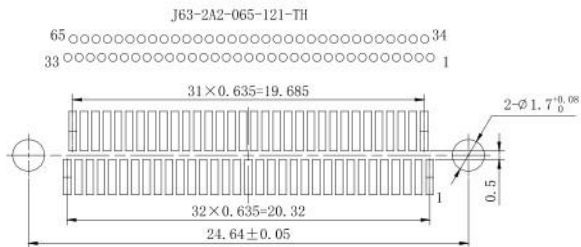
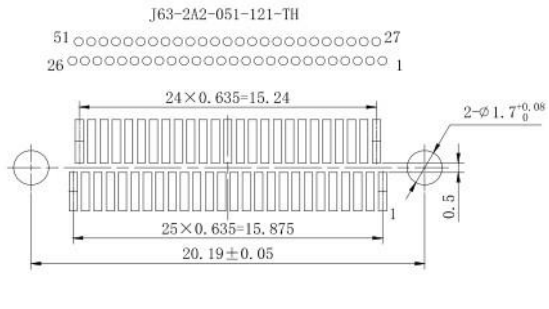
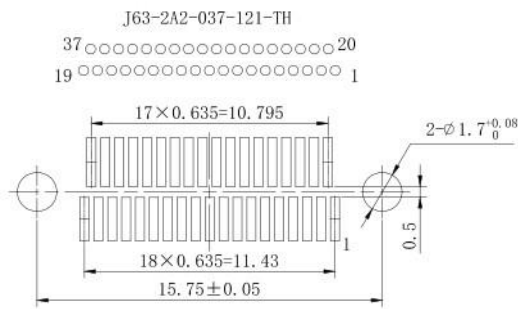
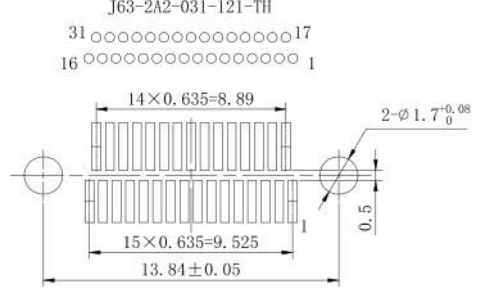
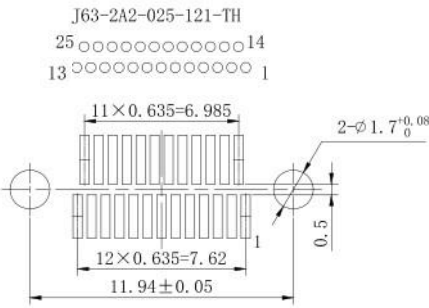
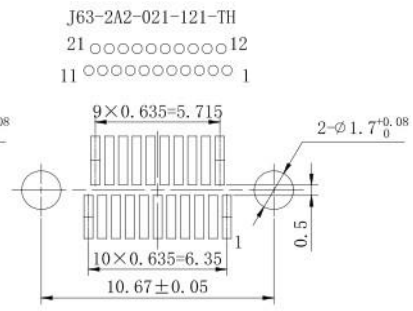
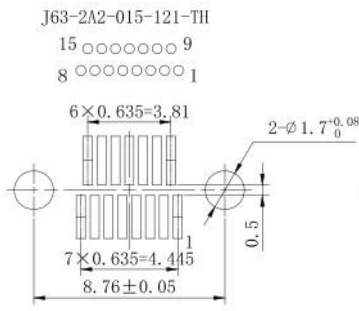
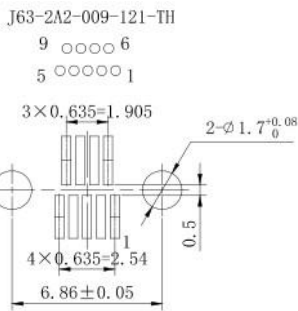
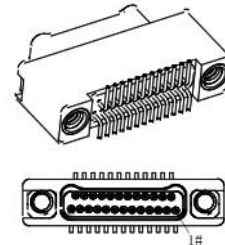
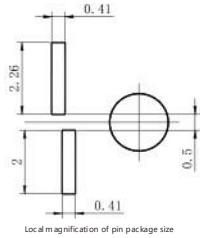


spectrum	size			spectrum	size			spectrum	size		
	A	B	C		A	B	C		A	B	C
9-core	9.63	6.86	4.31	15-core	11.53	8.76	6.22	21-core	13.44	10.67	8.13
25-core	14.71	11.94	9.40	31-core	16.61	13.84	11.30	37-core	18.52	15.75	13.21
51-core	22.96	20.19	17.65	65-core	27.41	24.64	22.10	69-core	28.68	25.91	23.37

J63A series smaller rectangular electrical connector

J63A vertical table plug series

Printed board package size (for reference only)



J63A series smaller rectangular electrical connector

J63A vertical gauge socket series

Order mark

J63A - ② B ② - 025 - 22 ① - TH

- ① Nominal code
- ② Contact rows: 2 rows
- ③ Connector type: B-vertical gauge socket Shell
- ④ plating:2 - Nickel plating
- ⑤ Number of contacts: 009, 015, 021, 025, 031, 037, 051, 065, 069
Contact type: 22 - vertical surface mount type jack
- ⑥ Lock type: TH- connecting nut
- ⑦ Lock type: TH- connecting nut
- ⑧ Lock type: TH- connecting nut
NH - Nut mounting guide sleeve



J63A-2B2-025-221-TH

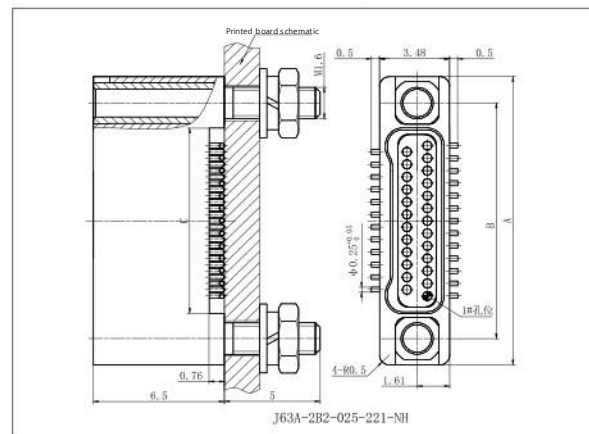
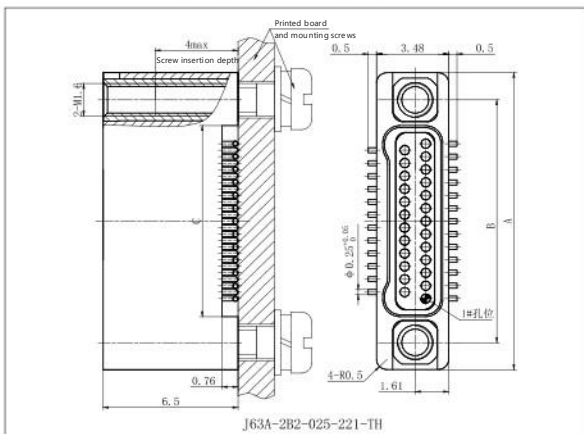


J63A-2B2-025-221-NH

Correlation description

- The connectors are welded using SMT technology.
- J63A-2B2-025-221-TH is generally connected to a plug with a locking screw, and J63A-2B2-025-221-NH is connected to a plug with a guide post.
- The pin is soft and easy to deform, and should be protected when used.

Product dimensions drawing

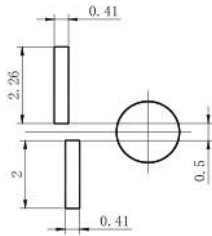


spectrum	size			spectrum	size			spectrum	size		
	A	B	C		A	B	C		A	B	C
9-core	9.63	6.86	4.31	15-core	11.53	8.76	6.22	21-core	13.44	10.67	8.13
25-core	14.71	11.94	9.40	31-core	16.61	13.84	11.30	37-core	18.52	15.75	13.21
51-core	22.96	20.19	17.65	65-core	27.41	24.64	22.10	69-core	28.68	25.91	23.37

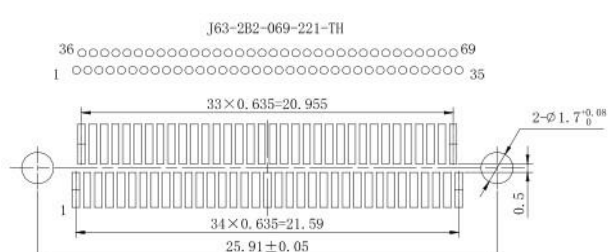
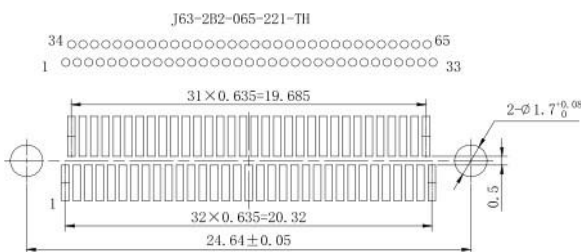
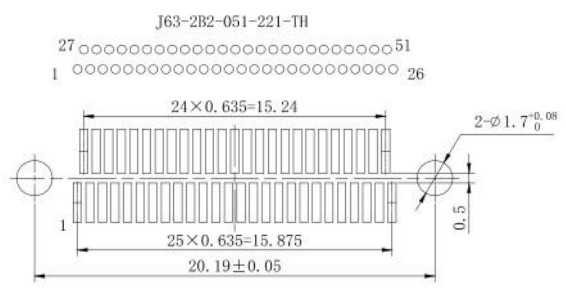
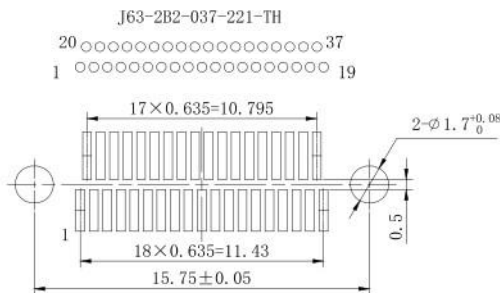
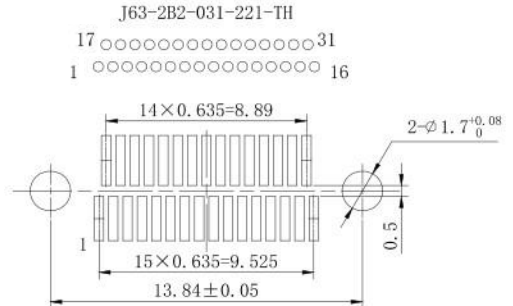
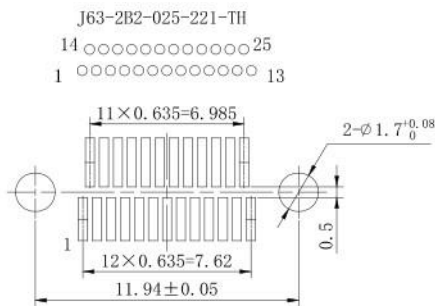
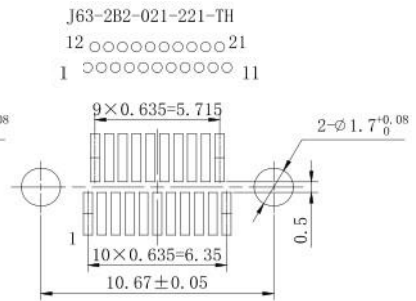
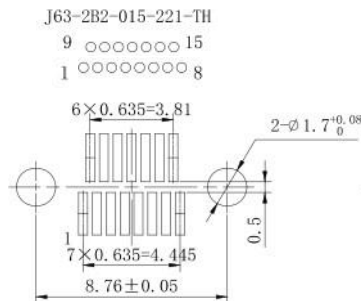
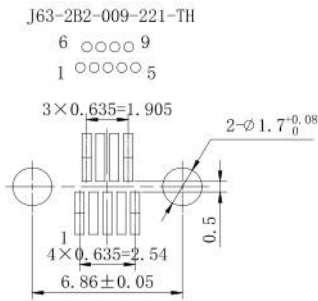
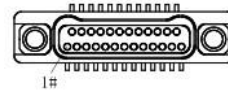
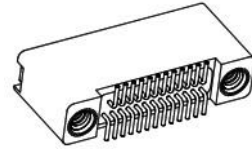
J63A series smaller rectangular electrical connector

J63A vertical gauge socket series

Printed board package size (for reference only)



Local magnification of pin package size



J63A series smaller rectangular electrical connector

J63A vertical table mount welding mounting socket series

Order mark

J63A - 2 B 2 - 025 - 22 1 - TH1

① ② ③ ④ ⑤ ⑥ ⑦ ⑧

- ① Nominal code
- ② Contact rows: 2 rows
- ③ Connector type: B a vertical gauge socket
- ④ Shell plating: 2 A nickel plating
- ⑤ Number of contacts: 009, 015, 021, 025, 031, 037, 051, 065, 069
Contact type: 22 vertical surface mount type jack
- ⑥ Contact plating: 1 - contact plating
- ⑦ Lock type: TH1 - Welded mounting connection nut
SH - Weld the guide sleeve



J63A-2B2-025-221-TH1

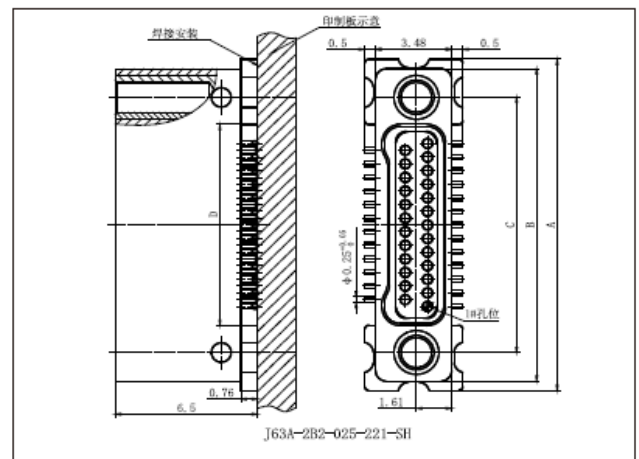
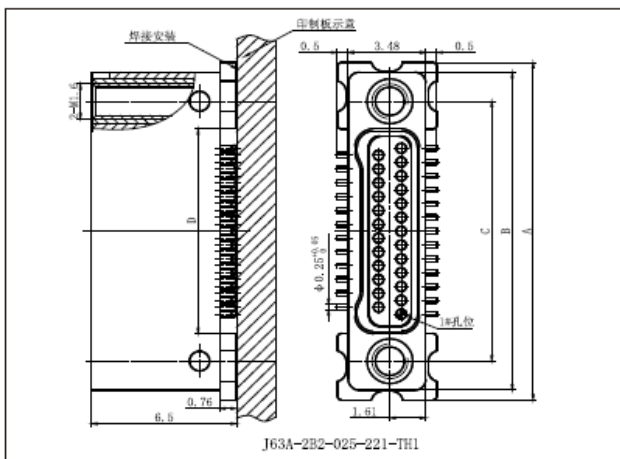


J63A-2B2-025-221-SH

Correlation description

- The connector is suitable for printing board can not open the mounting hole, using SMT technology welding use.
- J63A-2B2-025-221-TH1 is generally connected to a plug with a locking screw, and J63A-2B2-025-221-SH is generally connected to a plug with a guide post.
- The pin is soft and easy to deform, and should be protected when used.

Product dimensions drawing

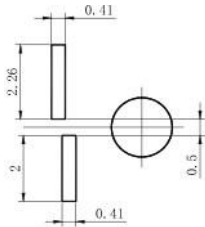


spectrum	size				spectrum	size				spectrum	size			
	A	B	C	D		A	B	C	D		A	B	C	D
9-core	10.46	9.63	6.86	4.46	15-core	12.36	11.53	8.76	6.36	21-core	14.27	13.44	10.67	8.27
25-core	15.54	14.71	11.94	9.54	31-core	17.44	16.61	13.84	11.49	37-core	19.35	18.52	15.75	13.35
51-core	23.79	22.96	20.19	17.79	65-core	28.24	27.41	24.64	22.24	69-core	29.51	28.68	25.91	23.51

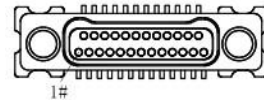
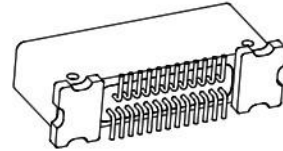
J63A series smaller rectangular electrical connector

J63A vertical table mount welding mounting socket series

Printed board package size (for reference only)

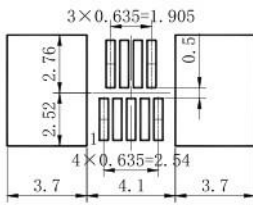


Local magnification of pin package size



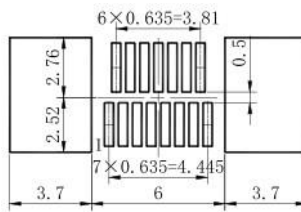
J63A-2B2-009-221-TH1

6 ○○○○ 9
1 ○○○○ 5



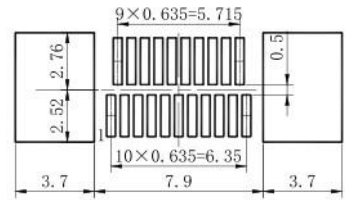
J63A-2B2-015-221-TH1

9 ○○○○○○ 15
1 ○○○○○○ 8



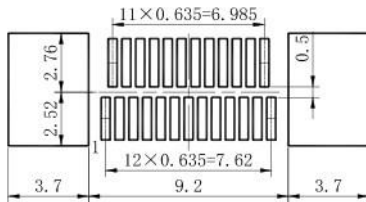
J63A-2B2-021-221-TH1

12 ○○○○○○○○ 21
1 ○○○○○○○○ 11



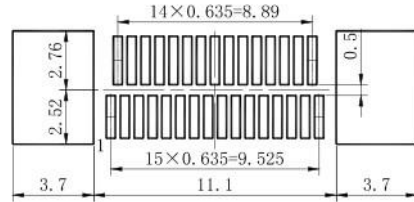
J63A-2B2-025-221-TH1

14 ○○○○○○○○○○ 25
1 ○○○○○○○○○○ 13



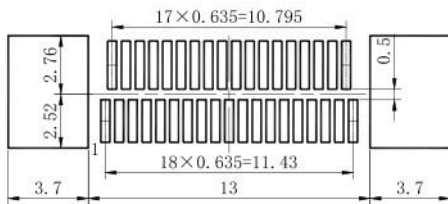
J63A-2B2-031-221-TH1

17 ○○○○○○○○○○ 31
1 ○○○○○○○○○○ 16



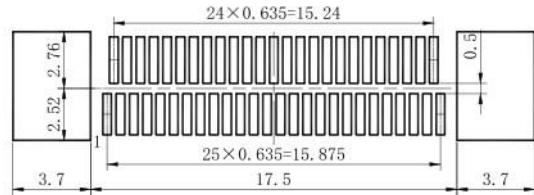
J63A-2B2-037-221-TH1

20 ○○○○○○○○○○ 37
1 ○○○○○○○○○○ 19



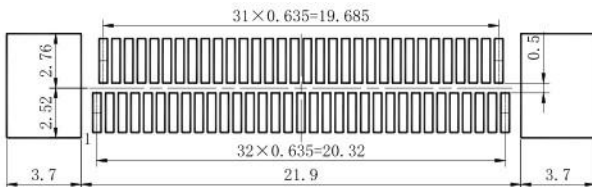
J63A-2B2-051-221-TH1

27 ○○○○○○○○○○ 51
1 ○○○○○○○○○○ 26



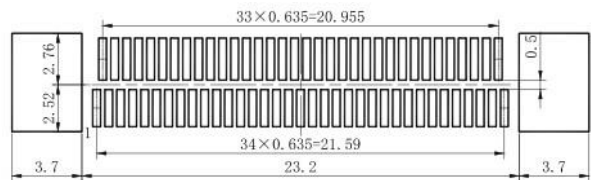
J63A-2B2-065-221-TH1

34 ○○○○○○○○○○ 65
1 ○○○○○○○○○○ 33



J63A-2B2-069-221-TH1

36 ○○○○○○○○○○ 69
1 ○○○○○○○○○○ 35



J63A series smaller rectangular electrical connector

J63A horizontal meter plug series

Order mark

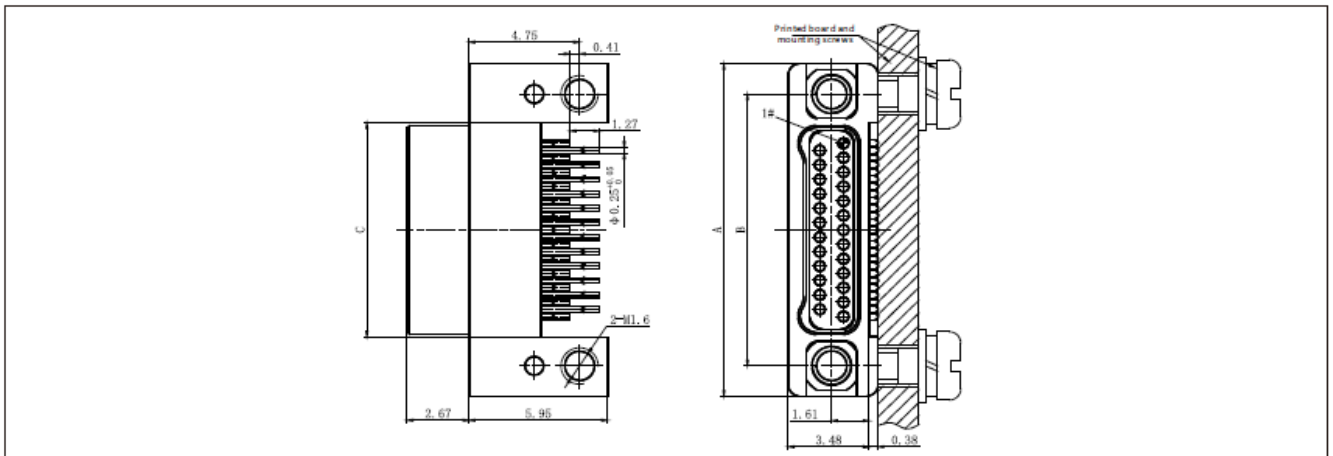
J63A - 2 C 2 - 025 - 12 1 - TH
 ① ② ③ ④ ⑤ ⑥ ⑦ ⑧

- ① Nominal code
- ② Contact rows: 2 rows
- ③ Connector type: C-horizontal meter stick plug Shell
- ④ plating:2 - Nickel plating
- ⑤ Number of contacts: 009, 015, 021, 025, 031, 037, 051, 065, 069
- ⑥ Contact type: 12 - Horizontal table stick pin
- ⑦ Contact plating: 1- contact plating
- ⑧ Lock type: TH - Connecting nut

Correlation description

- The connectors are welded using SMT technology and cannot be welded manually.
- Connectors are generally connected to sockets with locking screws.
- The pin is soft and easy to deform, and should be be protected when used.

Product dimensions drawing

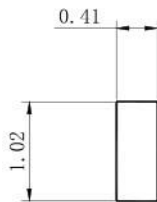


spectrum	size			spectrum	size			spectrum	size		
	A	B	C		A	B	C		A	B	C
9-core	9.63	6.86	4.31	15-core	11.53	8.76	6.22	21-core	13.44	10.67	8.13
25-core	14.71	11.94	9.40	31-core	16.61	13.84	11.30	37-core	18.52	15.75	13.21
51-core	22.96	20.19	17.65	65-core	27.41	24.64	22.10	69-core	28.68	25.91	23.37

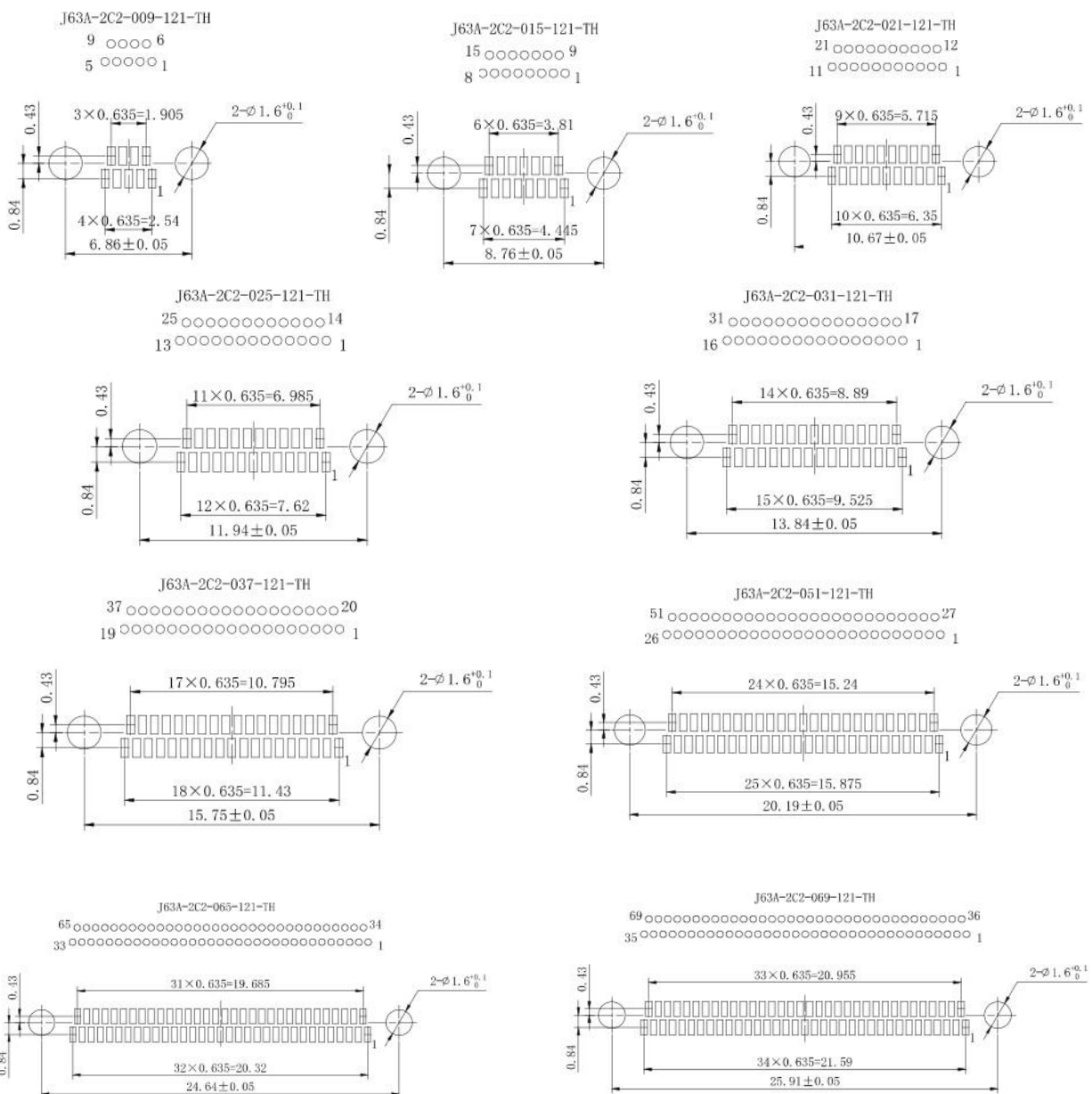
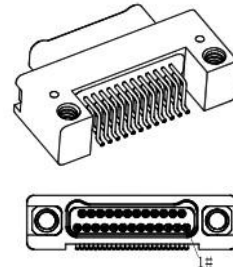
J63A series smaller rectangular electrical connector

J63A horizontal meter plug series

Printed board package size (for reference only)



Local magnification of pin package size



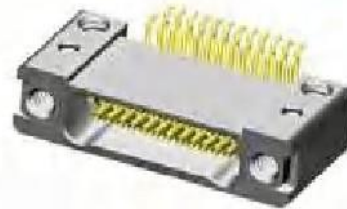
J63A series smaller rectangular electrical connector

J63A horizontal meter socket series

Order mark

J63A - 2 D 2 - 025 - 22 1 - TH
 ① ② ③ ④ ⑤ ⑥ ⑦ ⑧

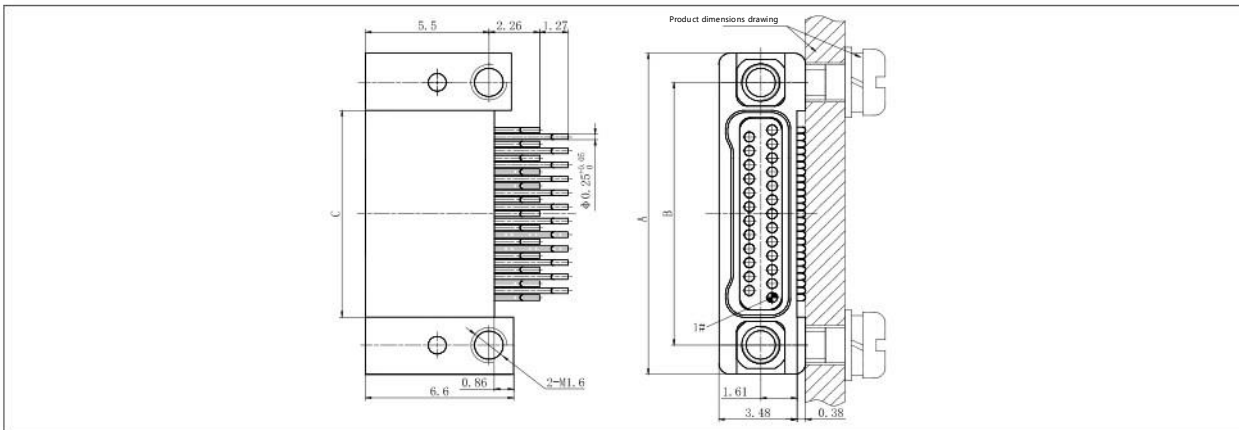
- ① Nominal code
- ② Contact rows: 2 rows
- ③ Connector type: D - horizontal meter attached socket Shell
- ④ plating:2 - Nickel plating
- ⑤ Number of contacts: 009, 015, 021, 025, 031, 037, 051, 065, 069
- ⑥ Contact type: 22 - horizontal table mount type jack
- ⑦ Contact plating: 1- contact plating
- ⑧ Lock type: TH - connecting nut



Correlation description

- The connectors are welded using SMT technology and cannot be welded manually.
- Connectors are generally connected to plugs with locking screws.
- The pin is soft and easy to deform, and should be protected when used.

Product dimensions drawing

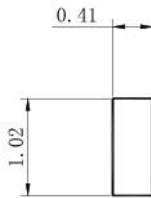


spectrum	dimension			spectrum	dimension			spectrum	dimension		
	A	B	C		A	B	C		A	B	C
9-core	9.63	6.86	4.31	15-core	11.53	8.76	6.22	21-core	13.44	10.67	8.13
25-core	14.71	11.94	9.40	31-core	16.61	13.84	11.30	37-core	18.52	15.75	13.21
51-core	22.96	20.19	17.65	65-core	27.41	24.64	22.10	69-core	28.68	25.91	23.37

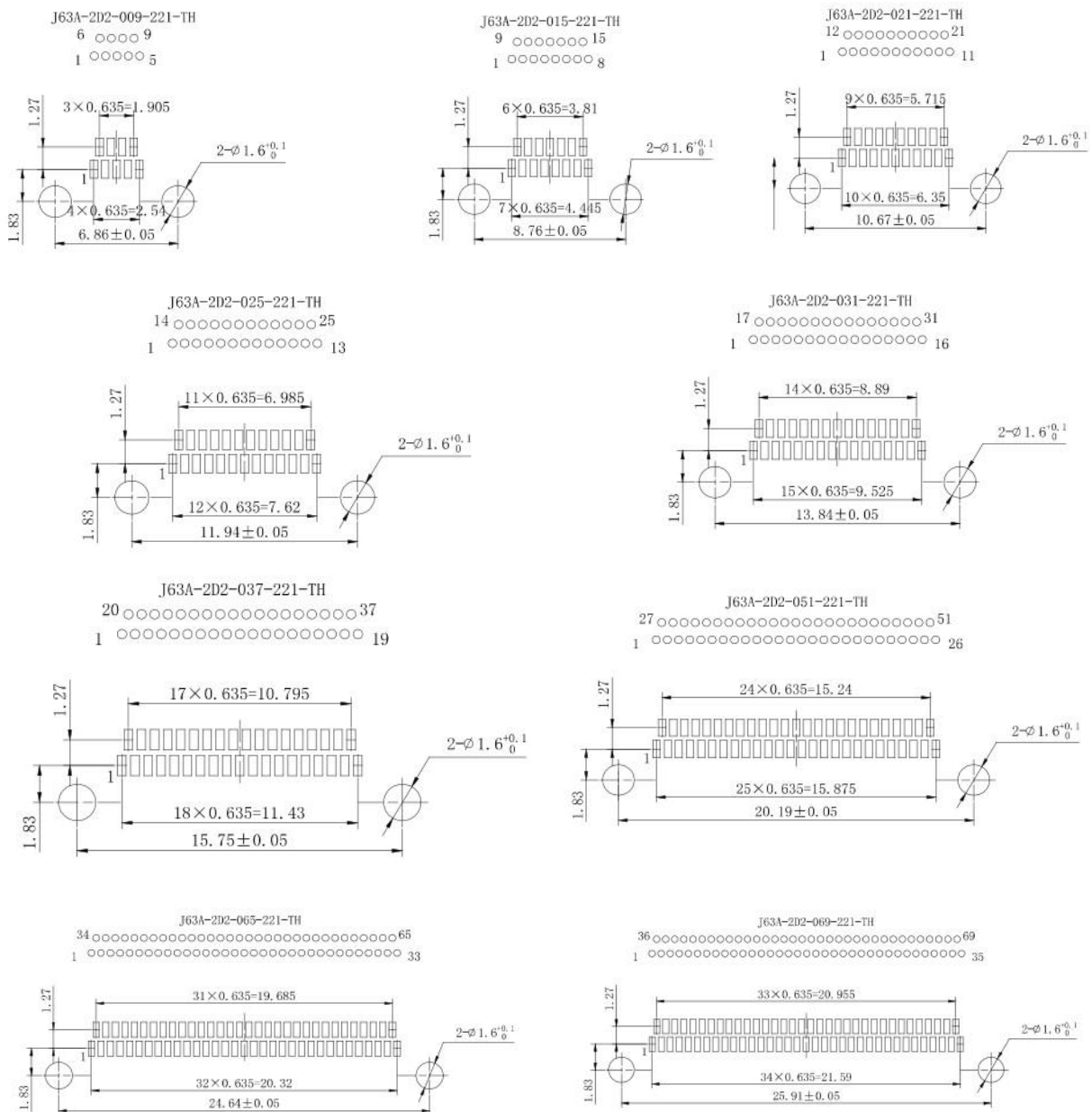
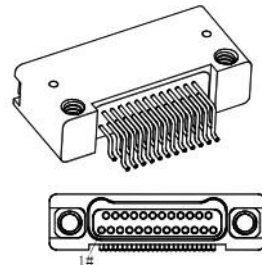
J63A series smaller rectangular electrical connector

J63A horizontal meter socket series

Printed board package size (for reference only)



Local magnification of pin package size



J63A series smaller rectangular electrical connector

J63A bent insert printed board plug series

Order mark

J63A - 2 E 2 - 025 - 32 1 - TH

① ② ③ ④ ⑤ ⑥ ⑦ ⑧

- ① Nominal code
- ② Contact rows: 2 rows
- ③ Connector type: E-90° bent printed board plug Shell
- ④ plating: 2 - nickel plating
- ⑤ Number of contacts: 009, 015, 021, 025, 031, 037, 051, 065, 069
- ⑥ Type of contact parts: 32-bent insert printed board type pin, lead length 2.77mm; 33-Pin length 3.56mm; 34- Pin length 4.37mm
- ⑦ Contact plating: 1 gold plating
- ⑧ Lock type: TH - Connecting nut
DZ - Guide post



J63A-2E2-025-321-TH

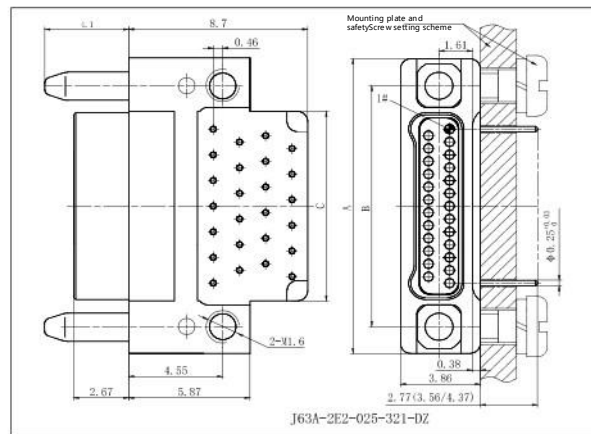
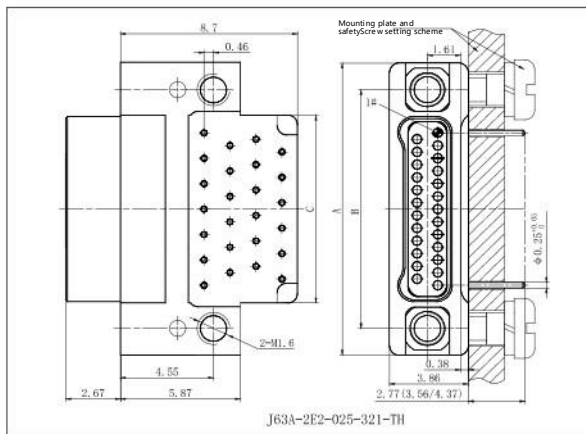


J63A-2E2-025-321-DZ

Correlation description

- Connector pin lengths are available in three sizes, and other lengths need to be customized.
- J63A-2E2-025-321-TH is generally connected to a socket with locking screws, and J63A-2E2-025-321-DZ is generally connected to a socket with a guide hole (or guide sleeve).

Product dimensions drawing

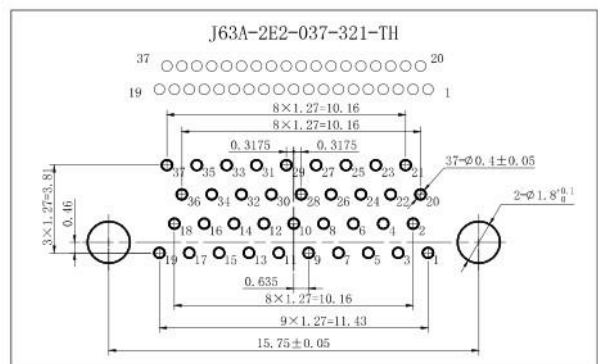
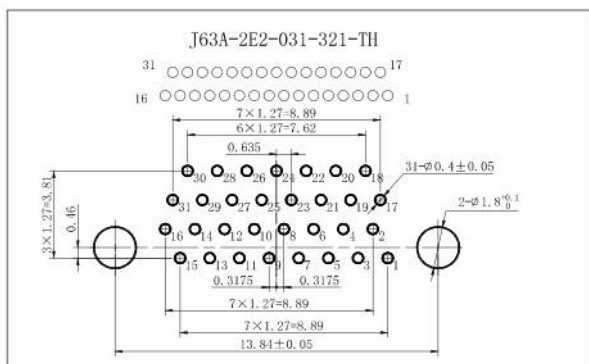
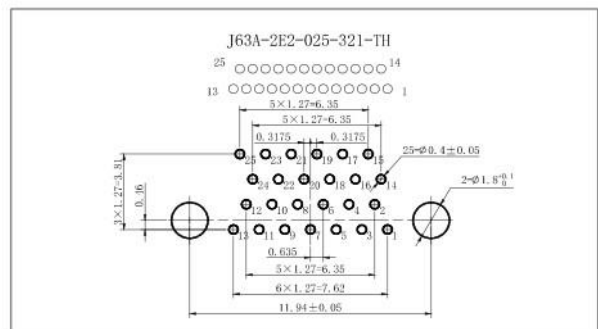
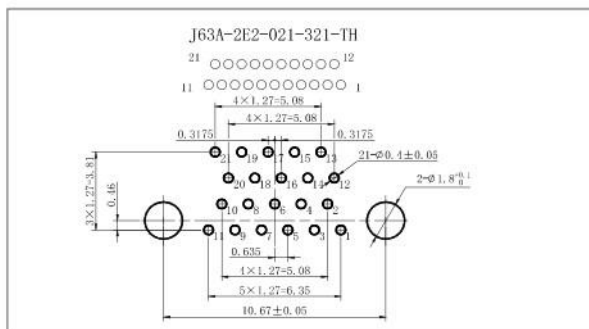
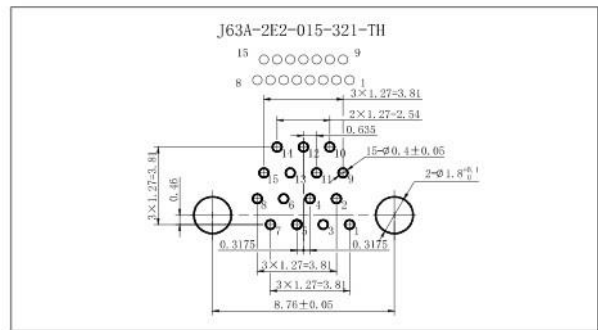
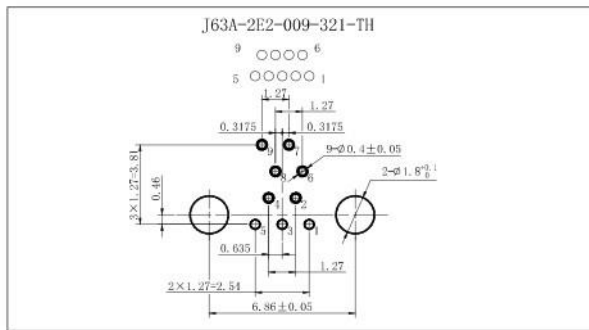
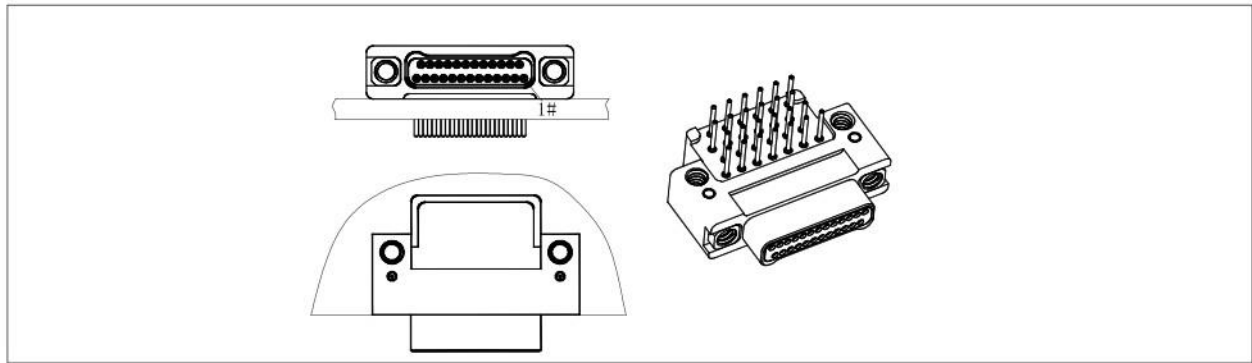


spectrum	dimension			spectrum	dimension			spectrum	dimension		
	A	B	C		A	B	C		A	B	C
9-core	9.63	6.86	4.25	15-core	11.53	8.76	6.15	21-core	13.44	10.67	8.06
25-core	14.71	11.94	9.33	31-core	16.61	13.84	11.23	37-core	18.52	15.75	13.14
51-core	22.96	20.19	17.58	65-core	27.41	24.64	22.03	69-core	28.68	25.91	23.3

J63A series smaller rectangular electrical connector

J63A bent insert printed board plug series

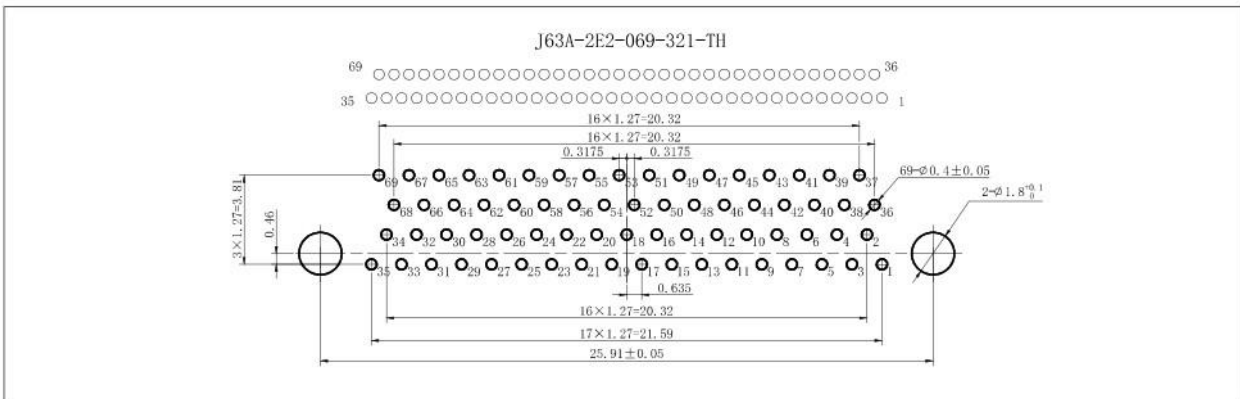
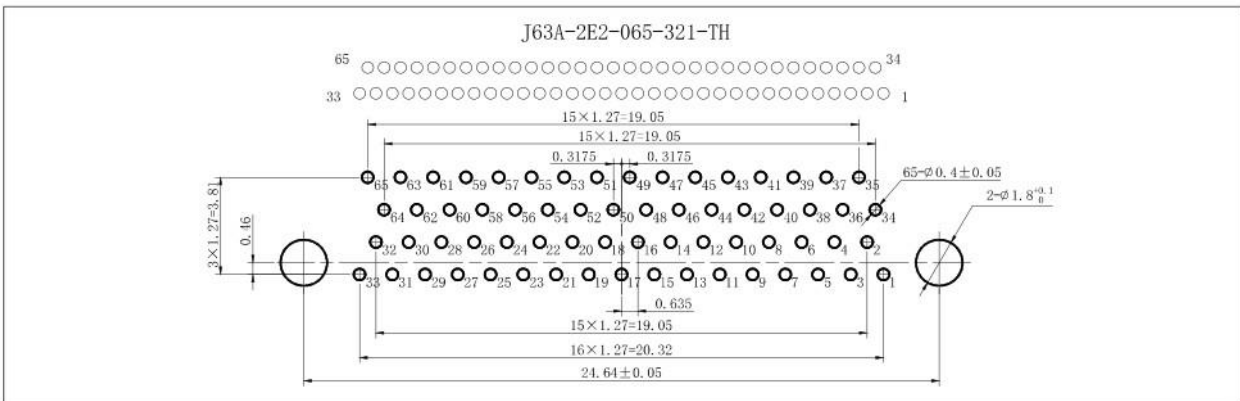
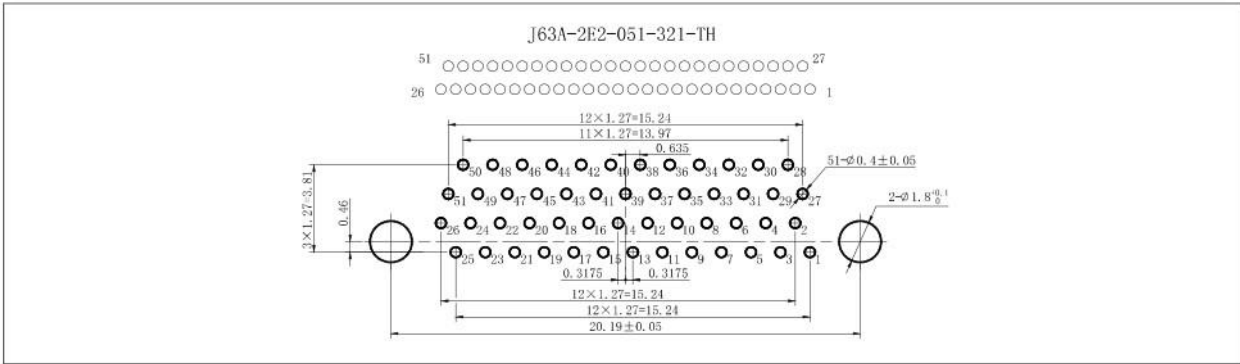
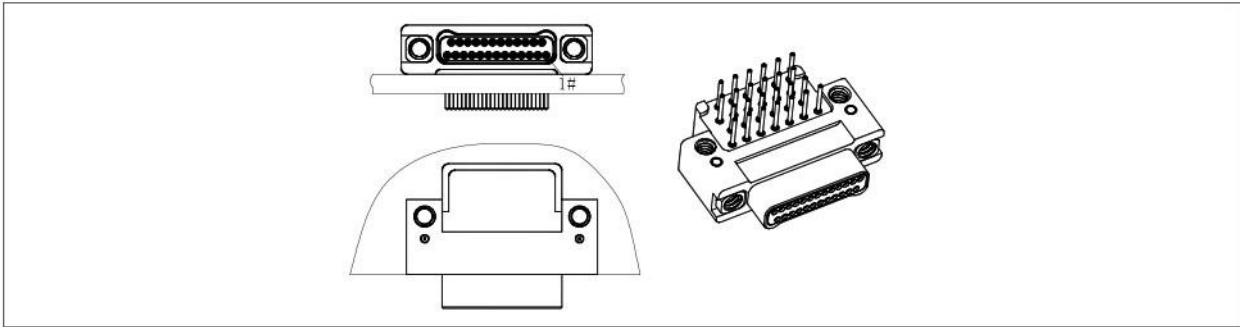
Printed board package size (for reference only)



J63A series smaller rectangular electrical connector

J63A bent insert printed board plug series

Printed board package size (for reference only)



J63A series smaller rectangular electrical connector

J63A flexible printed board plug series with locking screw

Order mark

J63A - 2 E 2 - 025 - 32 1 - JC
 ① ② ③ ④ ⑤ ⑥ ⑦ ⑧

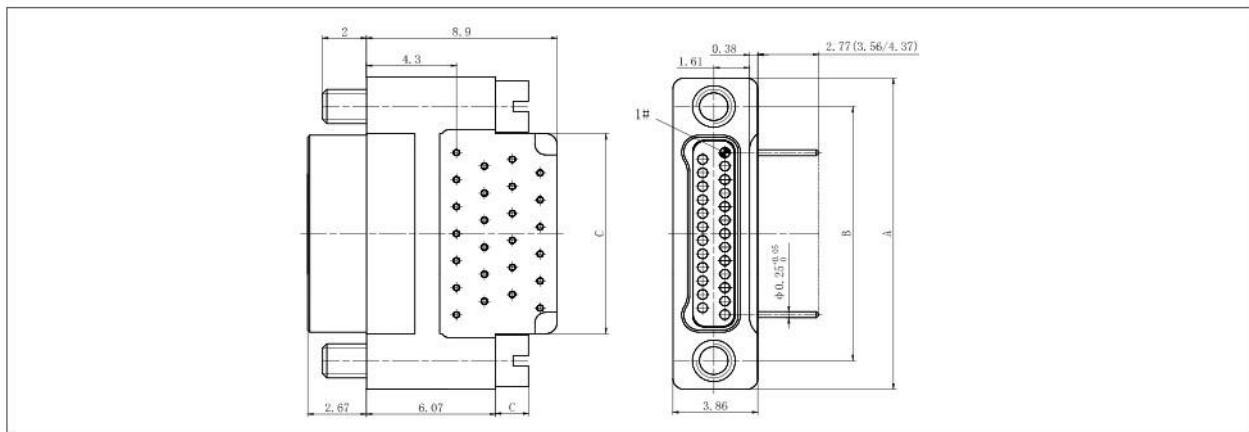
- ① Nominal code
- ② Contact rows: 2 rows
- ③ Connector type: E-90° bent printed board type plug Shell
- ④ plating: 2 - Nickel plating
- ⑤ Number of contacts: 009, 015, 021, 025, 031, 037, 051, 065, 069
- ⑥ Contact type: 32 - bent insert printed board type pin, lead length 2.77mm;
 33- Pin length 3.56mm; 34- Pin length 4.37mm
- ⑦ Contact plating: 1 gold plating
- ⑧ Lock type: JC - lock screw (slot, C size = 1.5)
 JC1 locking screw (hex socket, C size =2.1)



Correlation description

- Connector pin lengths are available in three sizes, and other lengths need to be customized.
- The connector is free and not installed. It is usually connected to a socket with a connecting nut. Pin end welded flexible printed board.
- Under normal circumstances, a slotted locking screw (JC) should be selected and tightened with a small flat-head screwdriver. If JC1 is used, tighten the 1.27mm hex screwdriver. tight

Product dimensions drawing

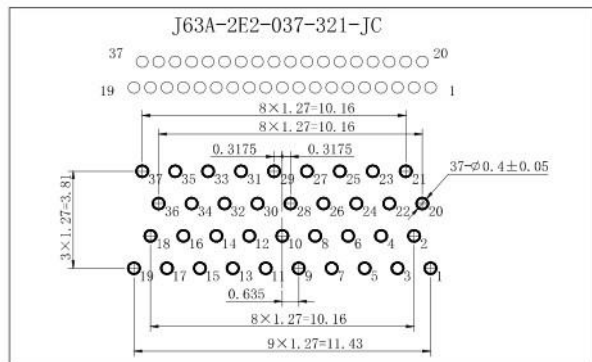
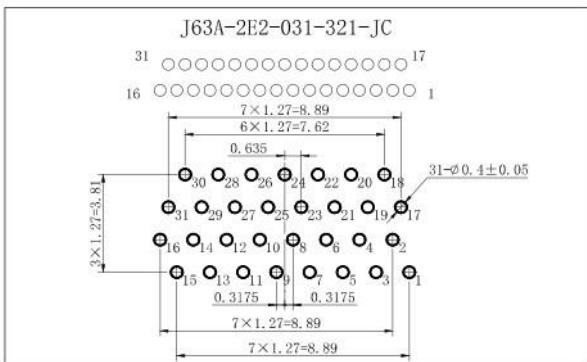
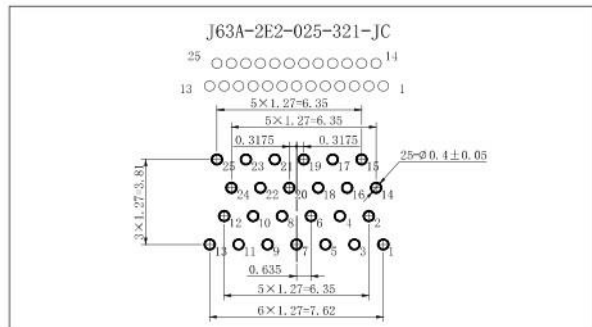
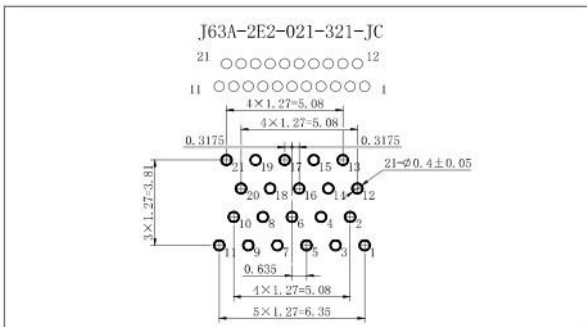
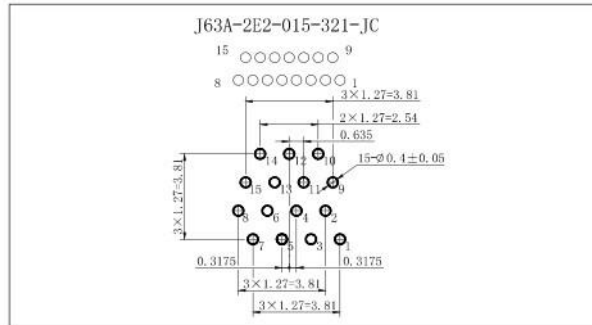
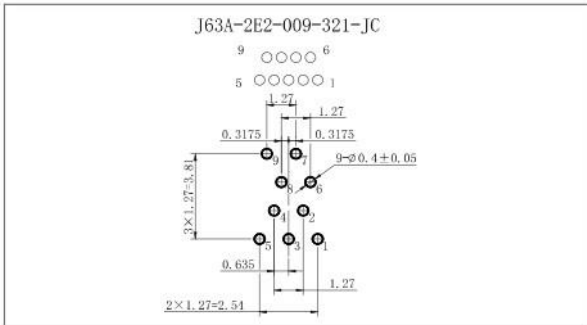
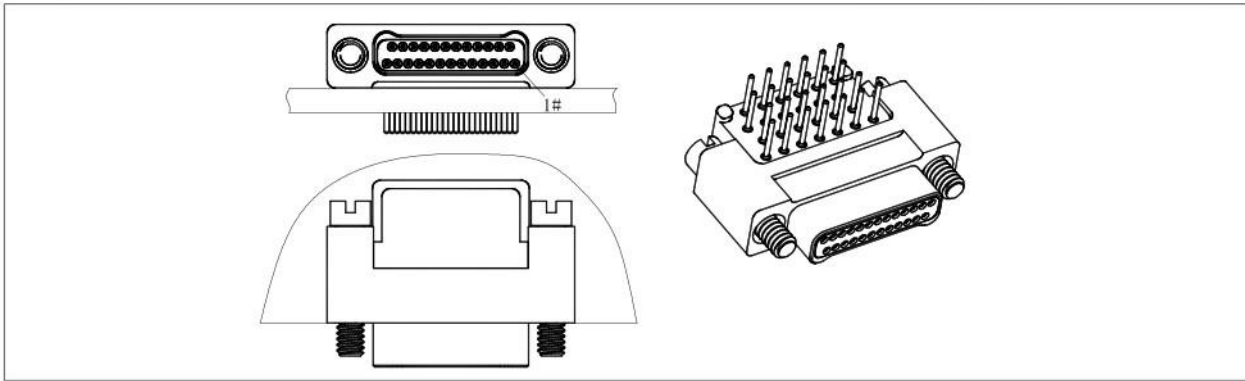


spectrum	dimension			spectrum	dimension			spectrum	dimension		
	A	B	C		A	B	C		A	B	C
9-core	9.63	6.86	4.25	15-core	11.53	8.76	6.15	21-core	13.44	10.67	8.06
25-core	14.71	11.94	9.33	31-core	16.61	13.84	11.23	37-core	18.52	15.75	13.14
51-core	22.96	20.19	17.58	65-core	27.41	24.64	22.07	69-core	28.68	25.91	23.3

J63A series smaller rectangular electrical connector

J63A flexible printed board plug series with locking screw

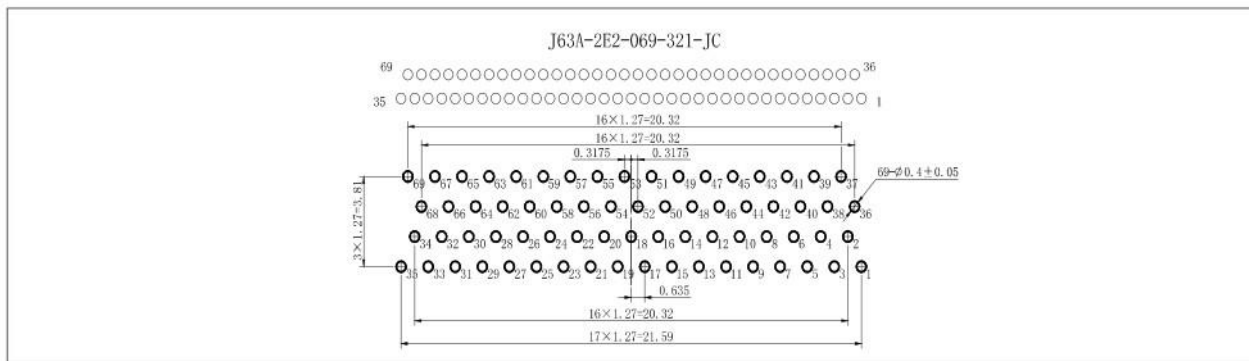
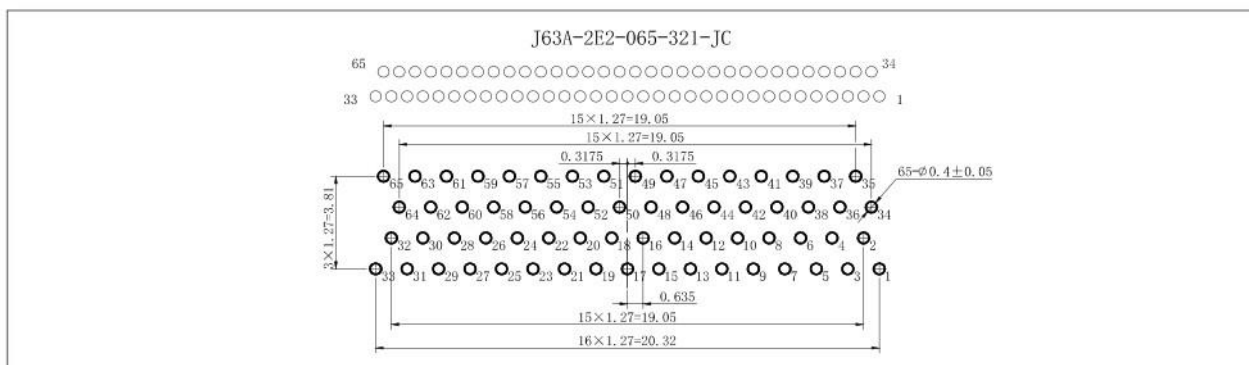
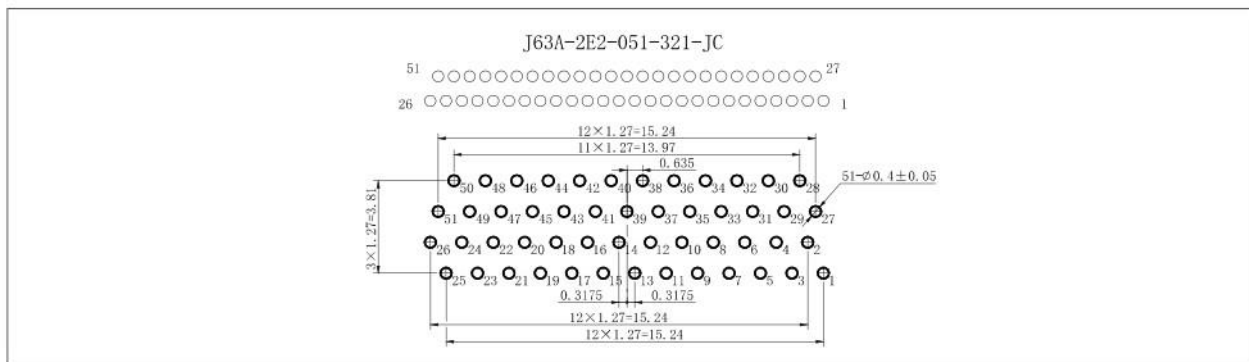
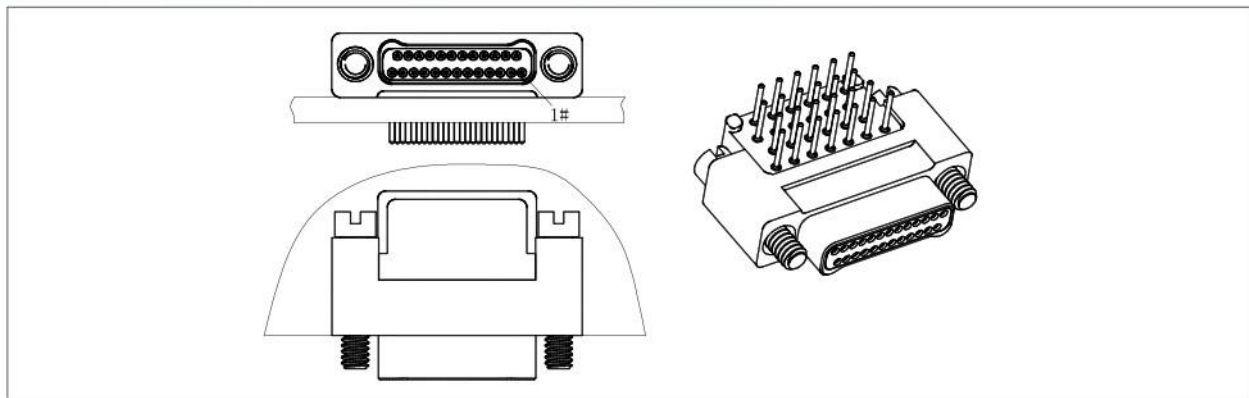
Printed board package size (for reference only)



J63A series smaller rectangular electrical connector

J63A flexible printed board plug series with locking screw

Printed board package size (for reference only)



J63A series smaller rectangular electrical connector

J63A bent insert printed board socket series

Order mark

J63A - 2 F 2 - 025 - 43 1 - TH
 ① ② ③ ④ ⑤ ⑥ ⑦ ⑧

- ① Nominal code
- ② Contact rows: 2 rows
- ③ Connector type: F-90° bent insert printed board type socket Shell
- ④ plating:2 - Nickel plating
- ⑤ Number of contacts: 009, 015, 021, 025, 031, 037, 051, 065, 069
- ⑥ Type of contact: 43 one-bend printed board type jack, pin length 2.77mm;
 44 - Pin length 3.56mm; 45 - Pin length 4.37mm
- ⑦ Contact plating: 1 gold plating
- ⑧ Lock type: TH a connecting nut, DK a guide hole



J63A-2F2-025-431-TH

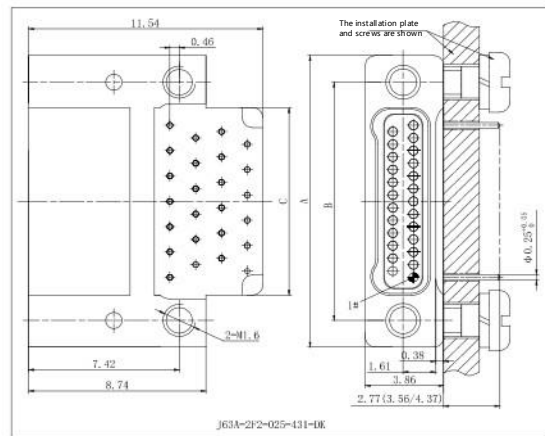
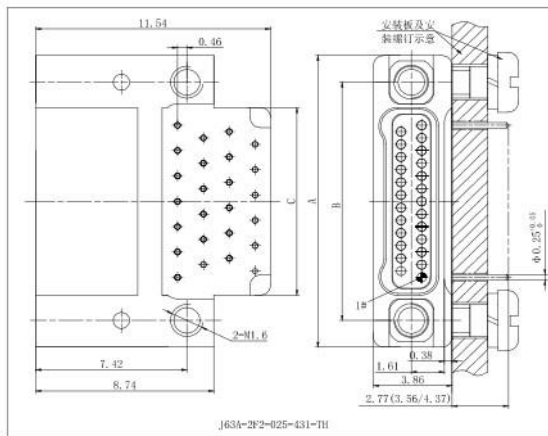


J63A-2F2-025-431-DK

Correlation description

- Connector pin lengths are available in three sizes, and other lengths need to be customized.
- J63A-2F2-025-431-TH is generally connected to a plug with a locking screw, and J63A-2F2-025-431-DK is generally connected to a plug with a guide post.

Product dimensions drawing

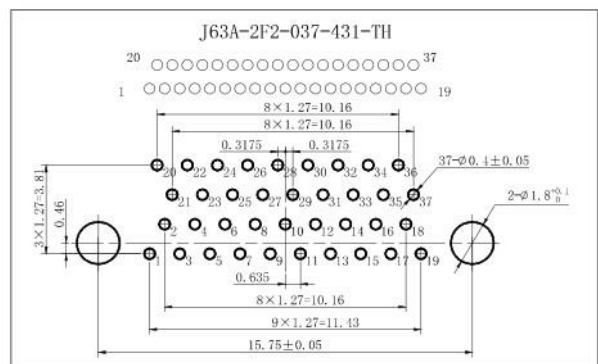
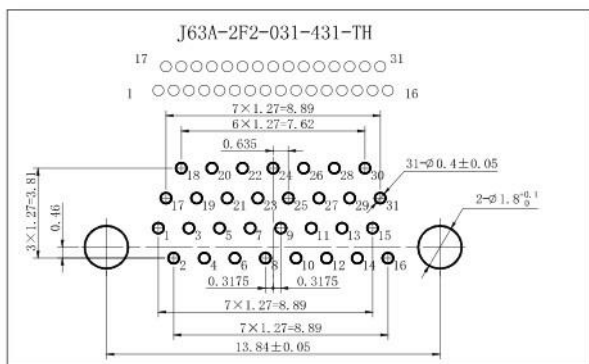
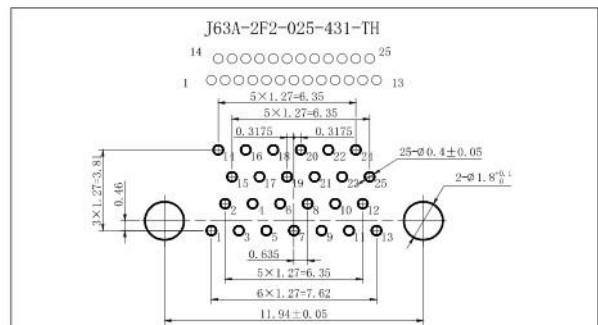
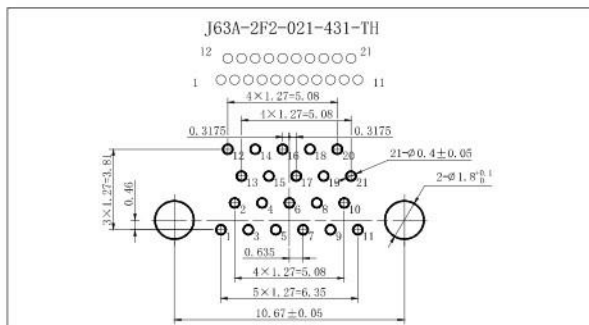
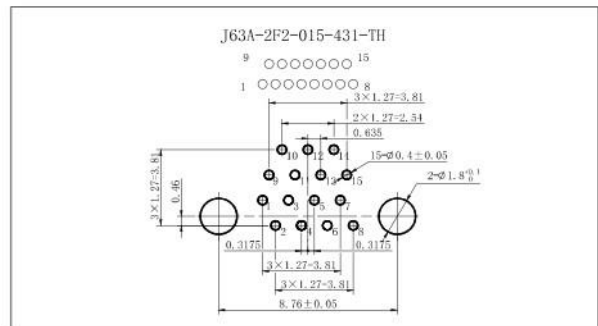
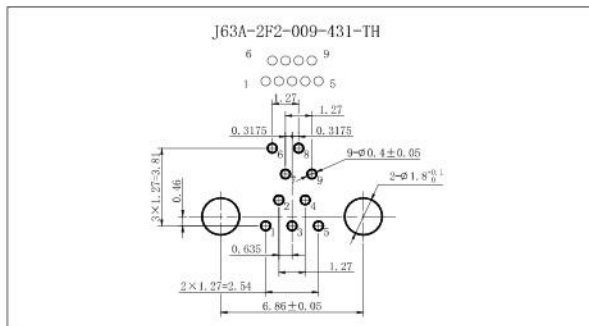
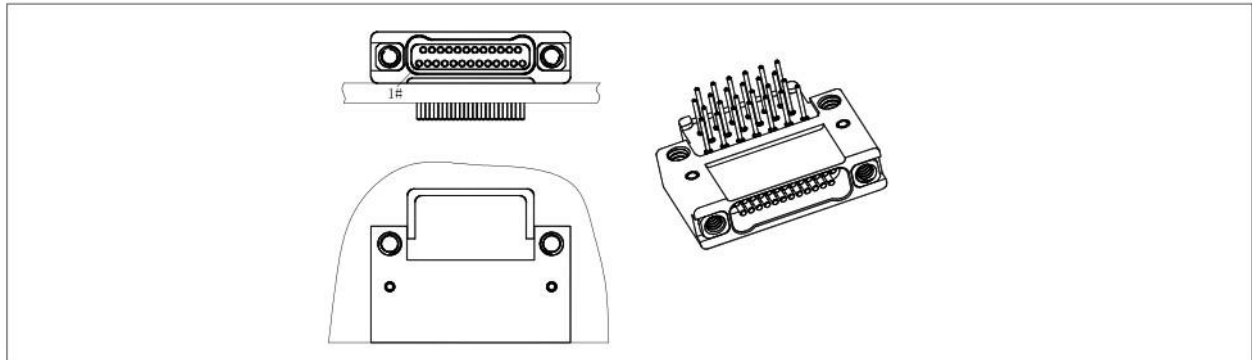


spectrum	dimension			spectrum	dimension			spectrum	dimension		
	A	B	C		A	B	C		A	B	C
9-core	9.63	6.86	4.25	15-core	11.53	8.76	6.15	21-core	13.44	10.67	8.06
25-core	14.71	11.94	9.33	31-core	16.61	13.84	11.23	37-core	18.52	15.75	13.14
51-core	22.96	20.19	17.58	65-core	27.41	24.64	22.03	69-core	28.68	25.91	23.3

J63A series smaller rectangular electrical connector

J63A bent insert printed board socket series

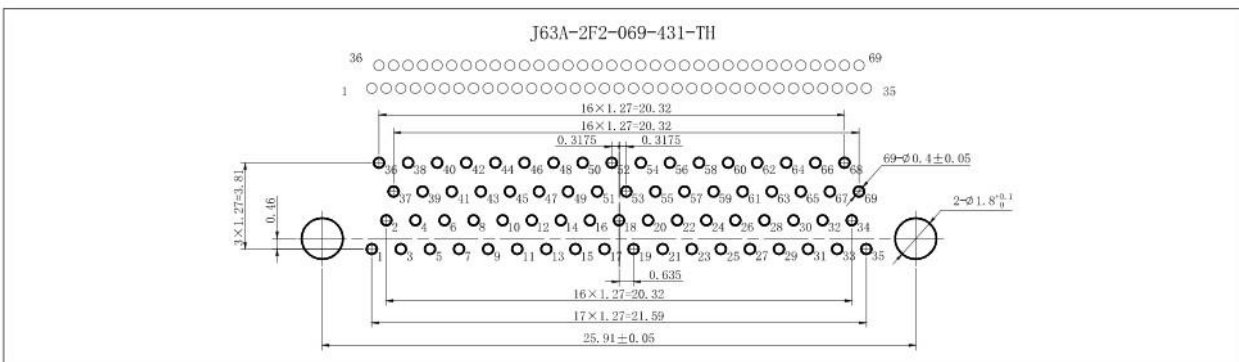
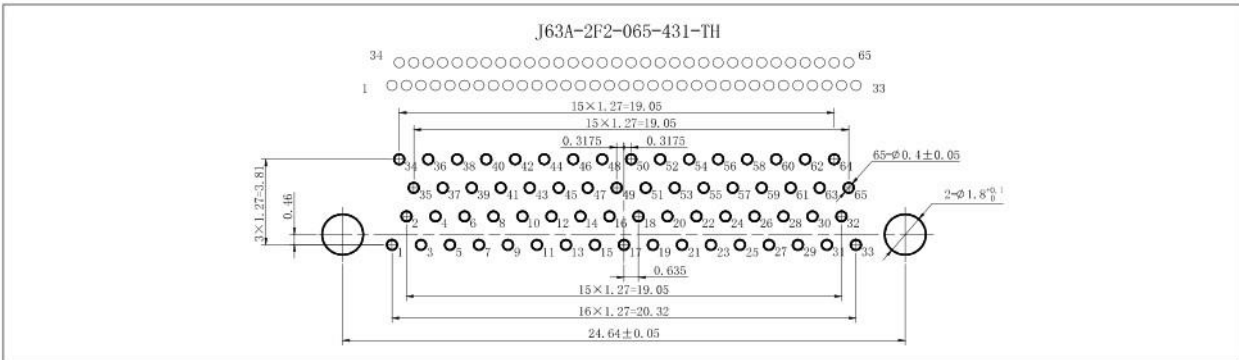
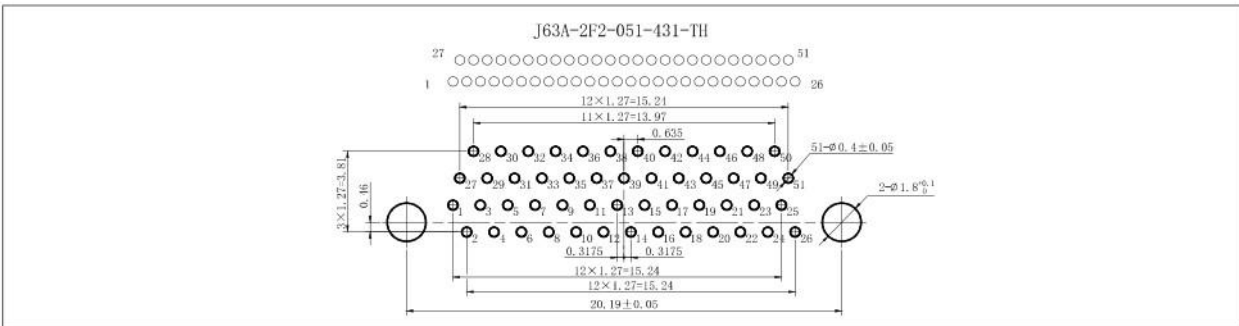
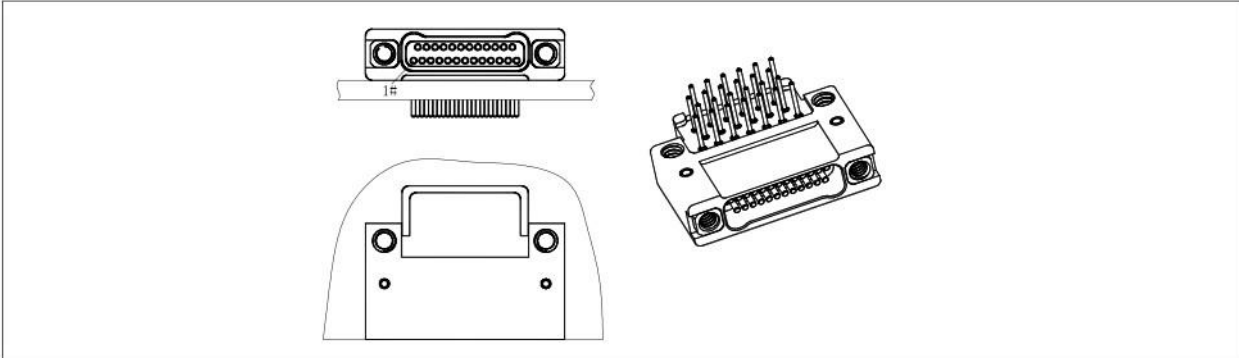
Printed board package size (for reference only)



J63A series smaller rectangular electrical connector

J63A bent insert printed board socket series

Printed board package size (for reference only)



J63A series smaller rectangular electrical connector

J63A in-line PCB plug series

Order mark

J63A - 2 G 2 - 025 - 13 1 - TH

① ② ③ ④ ⑤ ⑥ ⑦ ⑧

- ① Nominal code
- ② Contact rows: 2 rows
- ③ Connector type: G a live printed board type plug Shell
- ④ plating:2 - Nickel plating
- ⑤ Number of contacts: 009, 015, 021, 025, 031, 037, 051, 065, 069
- ⑥ Type of contact parts: 13 straight printed board type pin, pin length 2.77mm;
14- Pin length 3.56mm; 15- Pin length 4.37mm
- ⑦ Contact plating: 1 gold plating
- ⑧ Lock type: TH - connecting nut
DZ - Guide post



J63A-2G2-025-131-TH

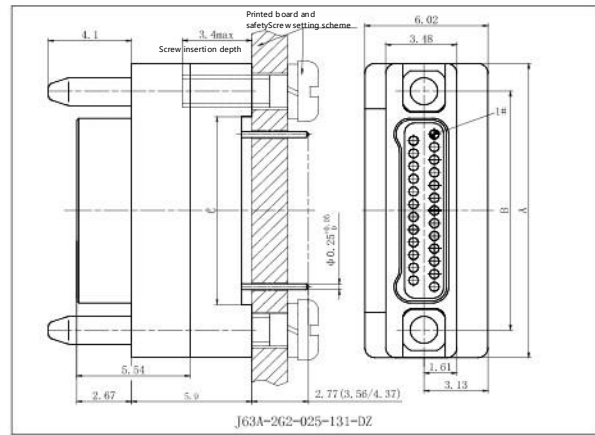
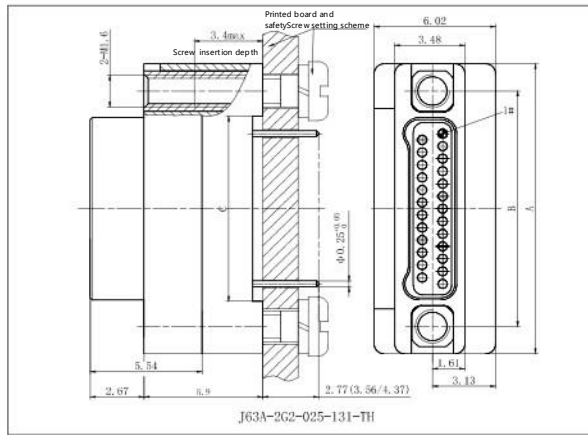


J63A-2G2-025-131-DZ

Correlation description

- Connector pin lengths are available in three sizes, and other lengths need to be customized.
- J63A-2G2-025-131-TH is generally connected to a socket with a locking screw, and J63A-2G2-025-131-DZ is generally connected to a socket with a guide hole (or guide sleeve).

Product dimensions drawing

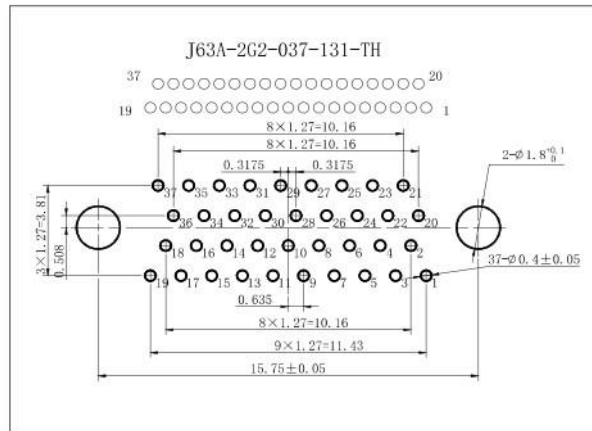
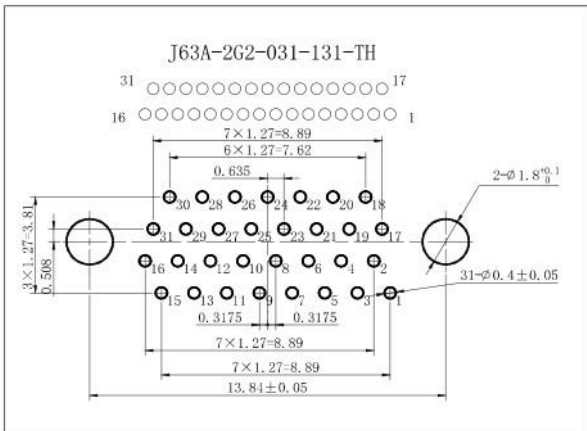
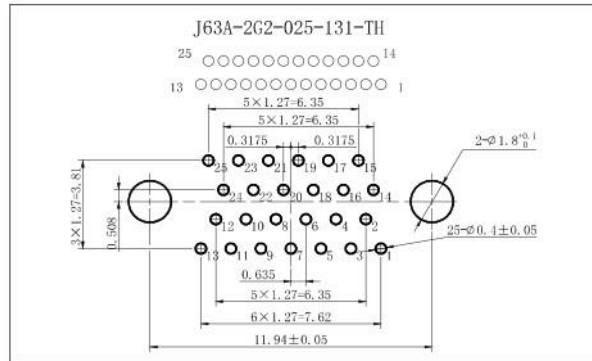
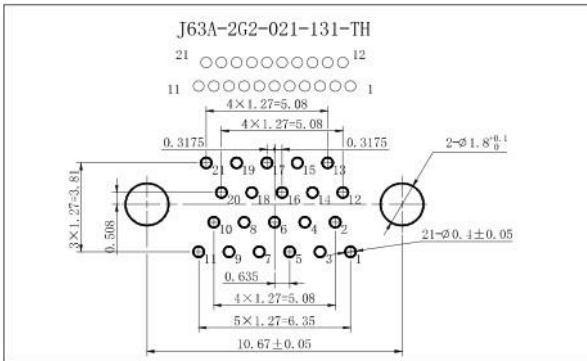
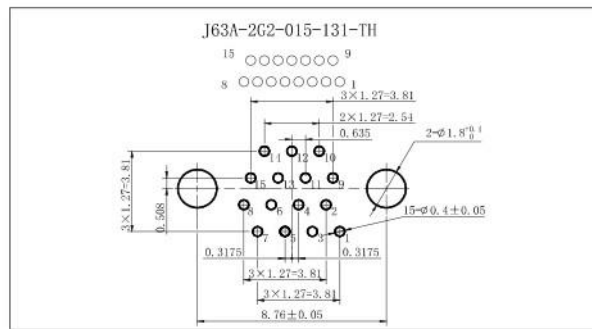
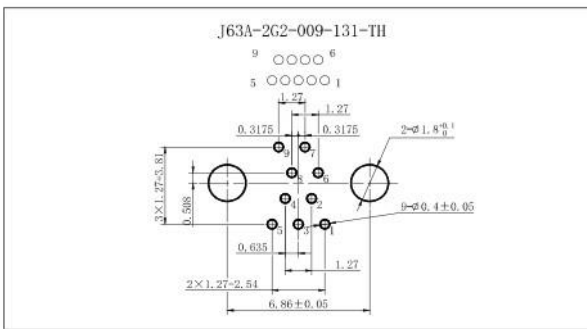
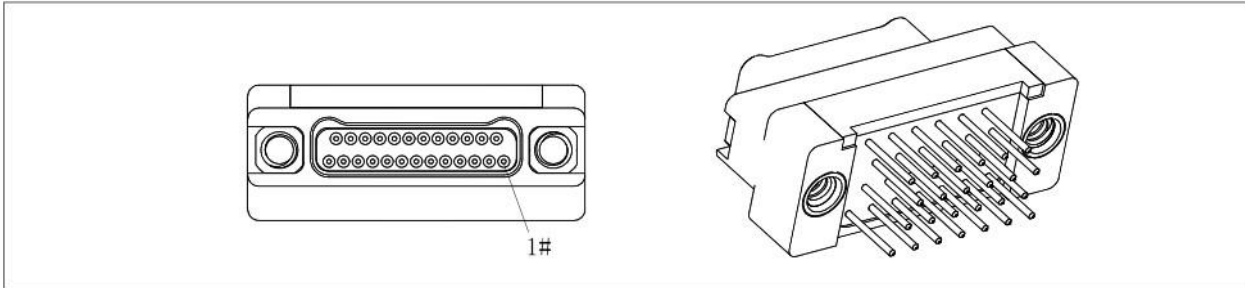


spectrum	dimension			spectrum	dimension			spectrum	dimension		
	A	B	C		A	B	C		A	B	C
9-core	9.63	6.86	4.31	15-core	11.53	8.76	6.22	21-core	13.44	10.67	8.13
25-core	14.71	11.94	9.40	31-core	16.61	13.84	11.30	37-core	18.52	15.75	13.21
51-core	22.96	20.19	17.65	65-core	27.41	24.64	22.10	69-core	28.68	25.91	23.37

J63A series smaller rectangular electrical connector

J63A live printed board plug series

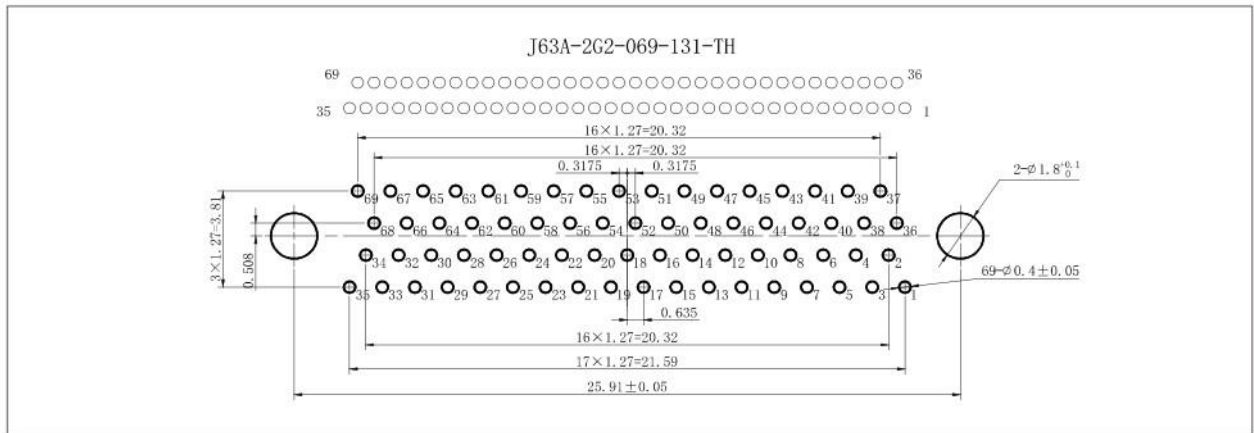
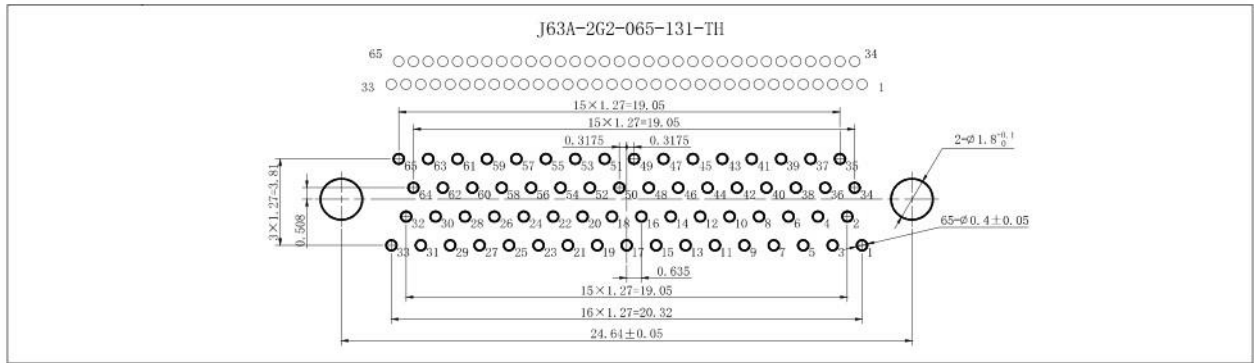
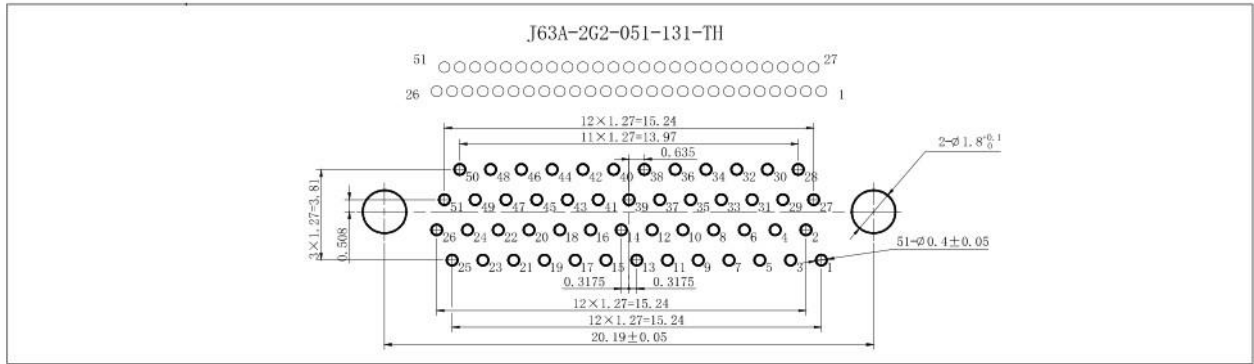
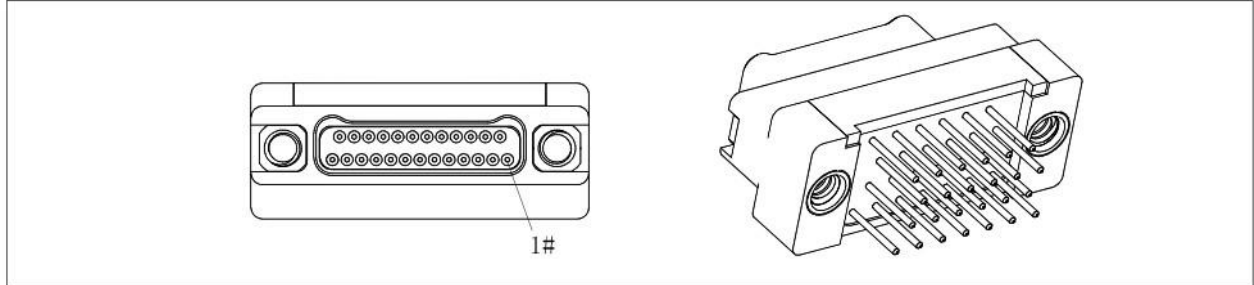
Printed board package size (for reference only)



J63A series smaller rectangular electrical connector

J63A series ultra-micro rectangular electrical connector

Printed board package size (for reference only)



J63A series smaller rectangular electrical connector

J63A series ultra-micro rectangular electrical connector

Order mark

J63A - 2 H 2 - 025 - 23 1 - TH

① ② ③ ④ ⑤ ⑥ ⑦ ⑧

- ① Nominal code
- ② Contact rows: 2 rows
- ③ Connector type: H always insert printed board type socket Shell
- ④ plating: 2 - Nickel plating
- ⑤ Number of contacts: 009, 015, 021, 025, 031, 037, 051, 065, 069
- ⑥ Type of contact parts: 23 insert printed board type jack, pin length 2.77mm;
24- Pin length 3.56mm; 25- Pin length 4.37mm
- ⑦ Contact plating: 1 gold plating
- ⑧ Lock type: TH a connecting nut, DK a guide hole



J63A-2H2-025-231-TH

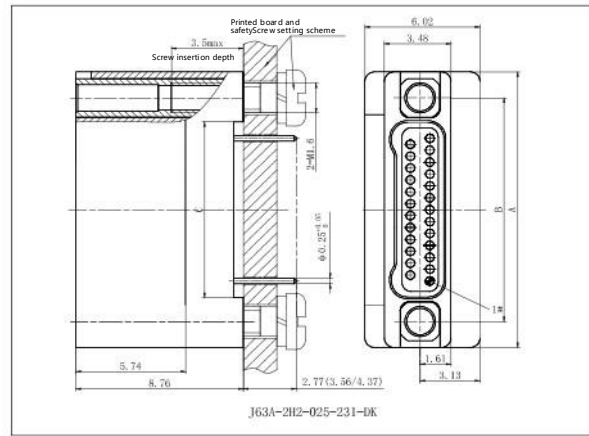
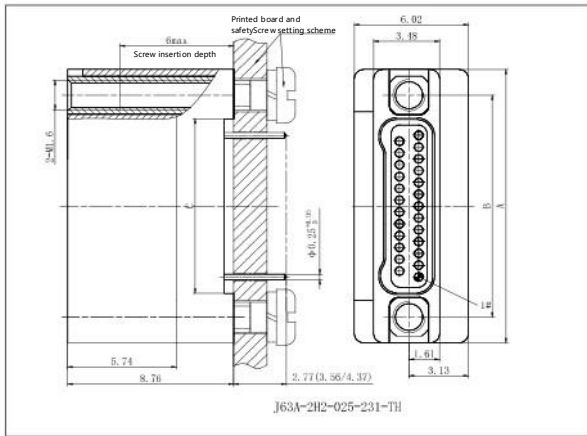


J63A-2H2-025-231-DK

Correlation description

- Connector pin lengths are available in three sizes, and other lengths need to be customized.
- J63A-2H2-025-231-TH is generally connected to a plug with a locking screw, and J63A-2H2-025-231-DK is generally connected to a plug with a guide post.

Product dimensions drawing

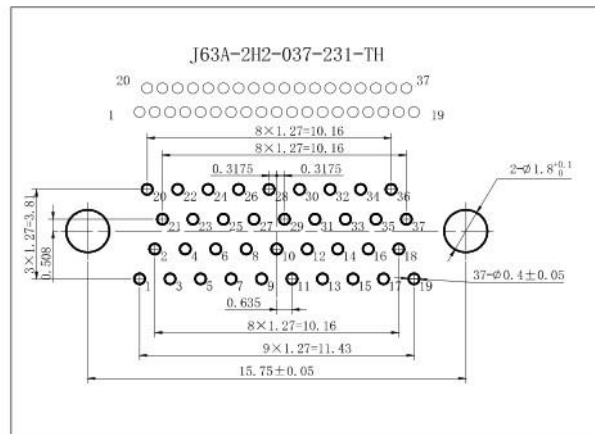
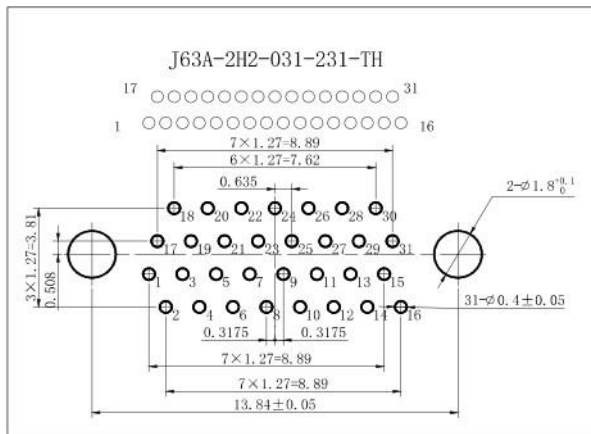
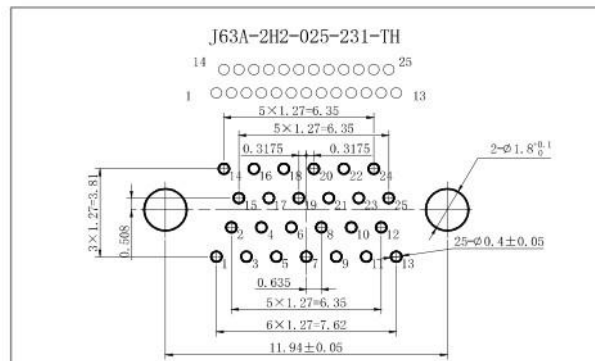
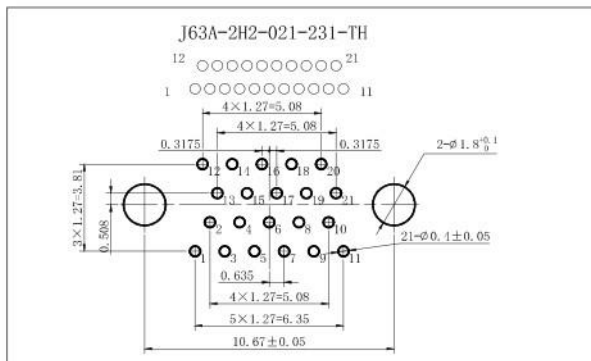
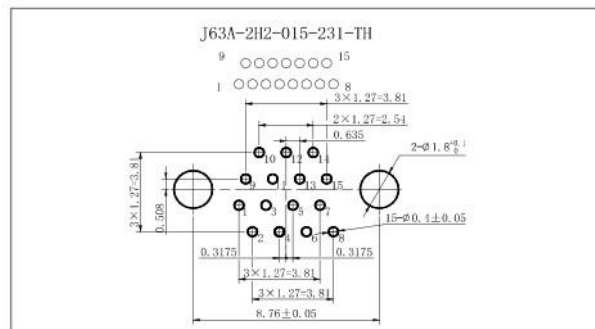
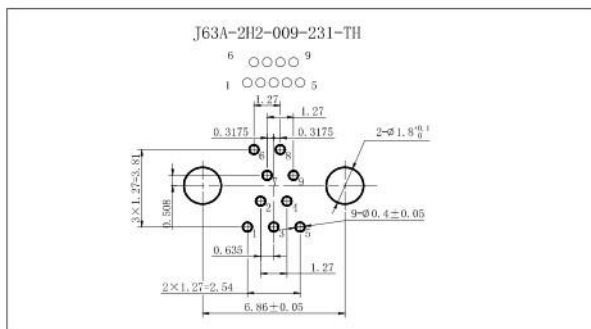
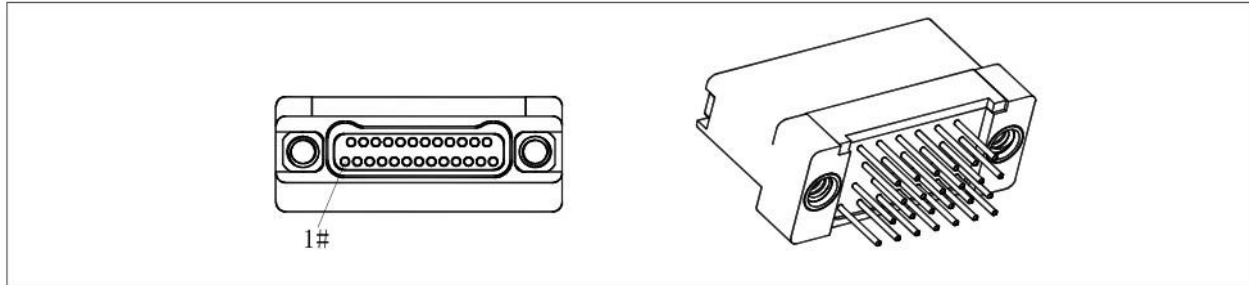


spectrum	dimension			spectrum	dimension			spectrum	dimension		
	A	B	C		A	B	C		A	B	C
9-core	9.63	6.86	4.31	15-core	11.53	8.76	6.22	21-core	13.44	10.67	8.13
25-core	14.71	11.94	9.40	31-core	16.61	13.84	11.30	37-core	18.52	15.75	13.21
51-core	22.96	20.19	17.65	65-core	27.41	24.64	22.10	69-core	28.68	25.91	23.37

J63A series smaller rectangular electrical connector

J63A in-line PCB socket series

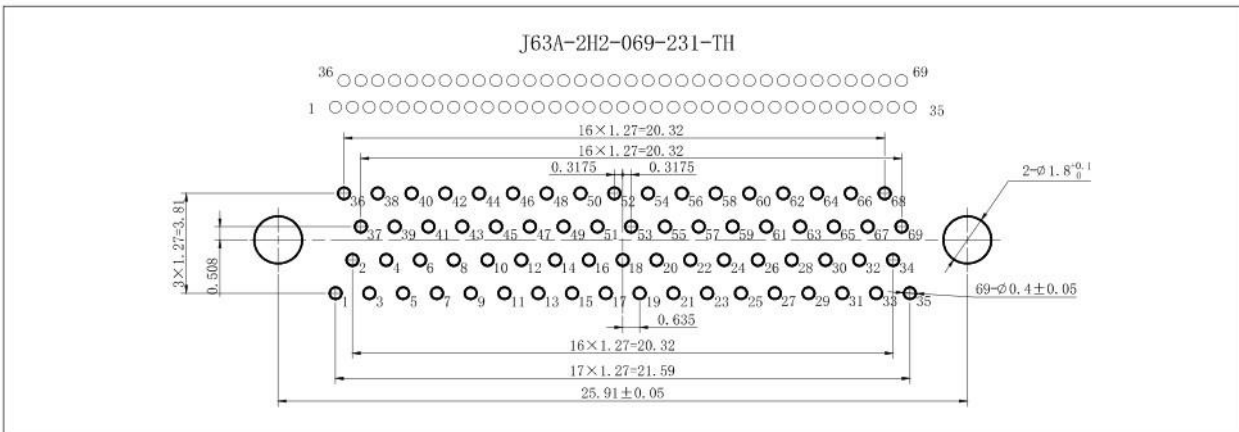
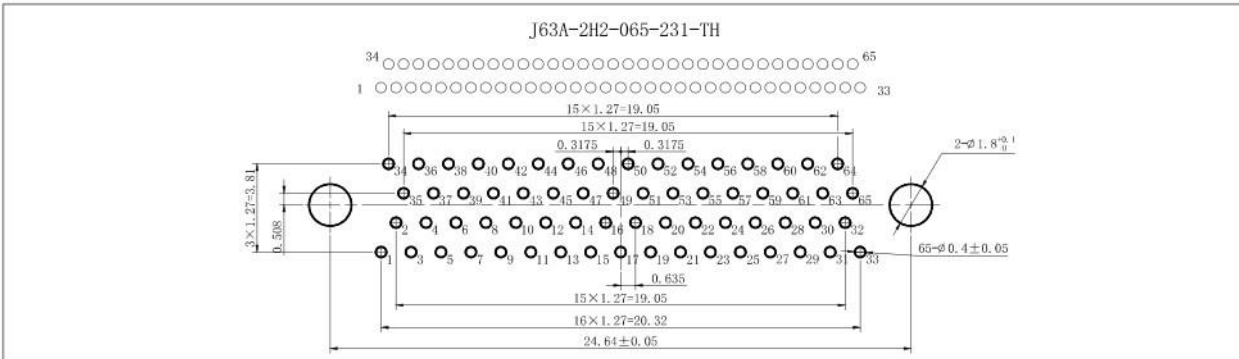
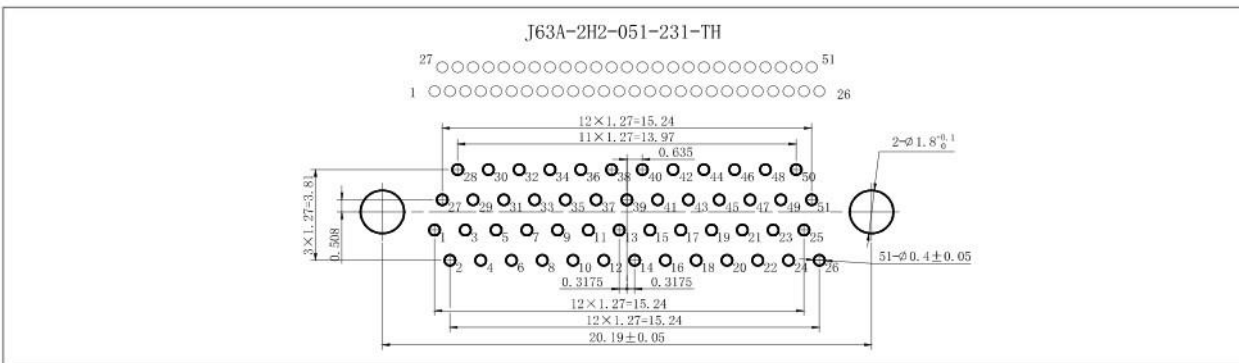
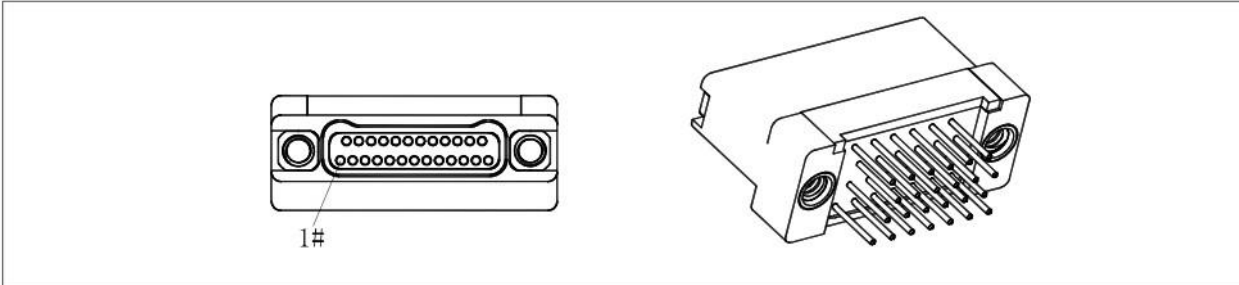
Printed board package size (for reference only)



J63A series smaller rectangular electrical connector

J63A in-line PCB socket series

Printed board package size (for reference only)



J63A series smaller rectangular electrical connector

J63A straddle type flexible table plug series

Order mark

J63A - 2 1 2 - 025 - 12 1 - JC

① Nominal code

- ① Contact rows: 2 rows
- ② Connector type: 1 - Straight plug
- ③ Shell plating: 2 - Nickel plating
- ④ Number of contacts: 009, 015, 021, 025, 031, 037, 051, 065, 069
- ⑤ Contact type: 12- straddle type surface mount pin
- ⑥ Contact plating: 1 gold plating
- ⑦ Lock type: JC - lock screw (slot, C size =1.5)
- ⑧



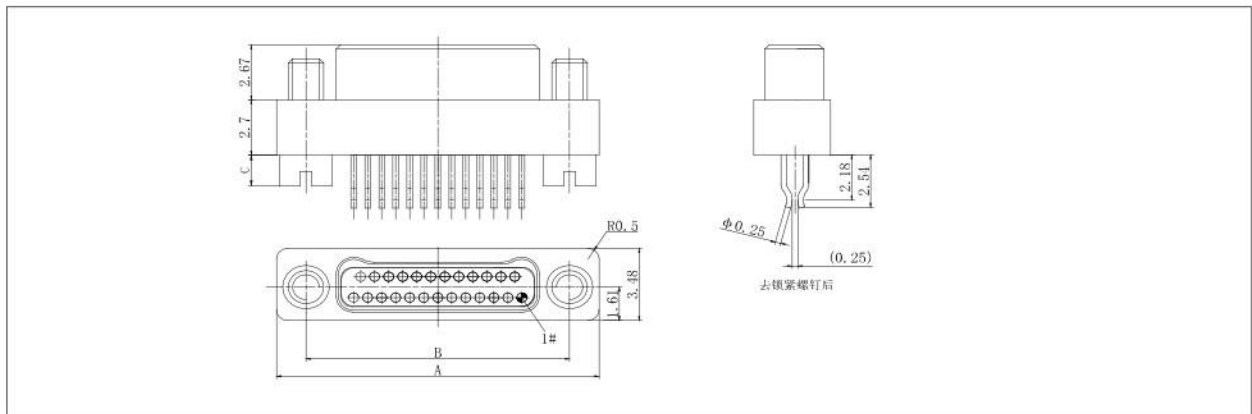
Correlation description

The connector is free and not installed. It is usually connected to a socket with a connecting nut.

- The pin end is welded to the flexible printed board, and the thickness of the printed board is 0.25mm ×
- Under normal circumstances, a slotted locking screw (JC) should be selected, which can be tightened with a small flat-head screwdriver, or our special telescopic flat-head screwdriver can be used.

If JC1 is used, tighten the 1.27mm hex screwdriver.

Product dimensions drawing

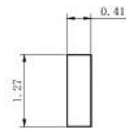


spectrum	dimension		spectrum	dimension		spectrum	dimension	
	A	B		A	B		A	B
9-core	9.63	6.86	15-core	11.53	8.76	21-core	13.44	10.67
25-core	14.71	11.94	31-core	16.61	13.84	37-core	18.52	15.75
51-core	22.96	20.19	65-core	27.41	24.64	69-core	28.68	25.91

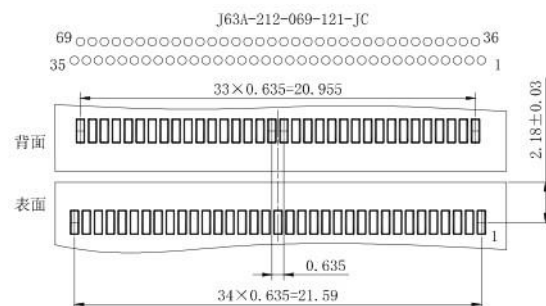
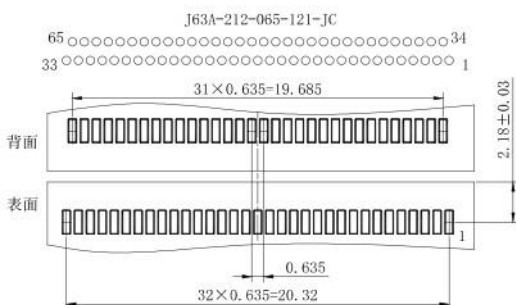
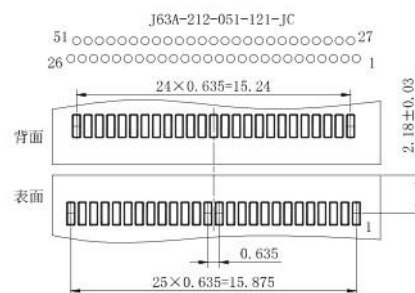
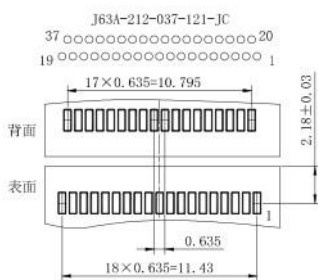
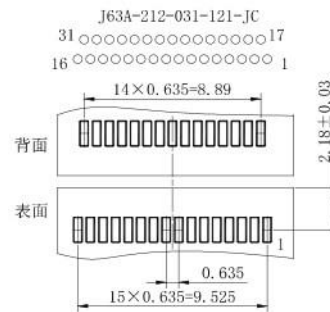
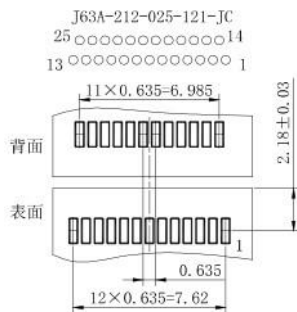
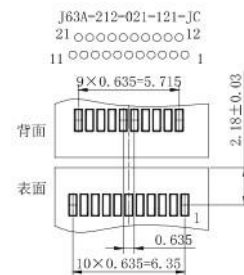
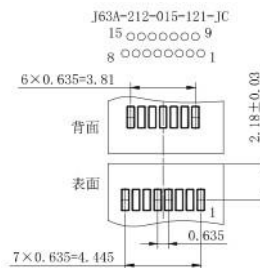
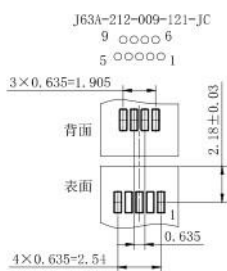
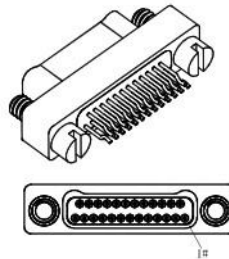
J63A series smaller rectangular electrical connector

J63A series ultra-micro rectangular electrical connector

Printed board package size (for reference only)



引脚封装尺寸局部放大图



J63A series smaller rectangular electrical connector

J63A series ultra-micro rectangular electrical connector

Order mark

J63A - 2 2 2 - 025 - 22 1 - TH

① ② ③ ④ ⑤ ⑥ ⑦ ⑧

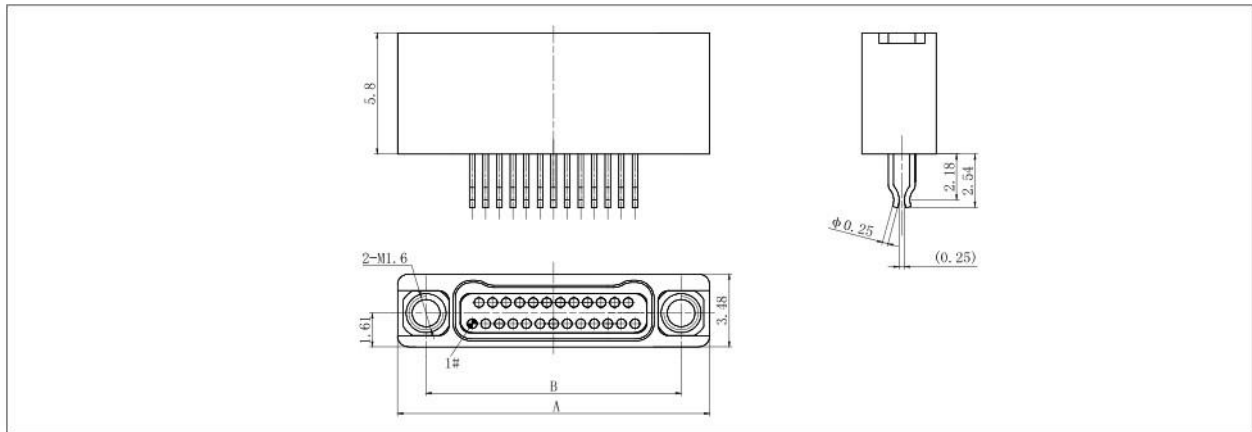
- ① Nominal code
- ② Contact rows: 2 rows
- ③ Connector type: 2-straight socket
- ④ Shell plating: 2 - Nickel plating
- ⑤ Number of contacts: 009, 015, 021, 025, 031, 037, 051, 065, 069
- ⑥ Contact type: 22- straddle type surface mount jack
- ⑦ Contact plating: 1 gold plating
- ⑧ Lock type: TH - connecting nut



Correlation description

- It is usually connected to a plug with a locking screw.
- The pin end is welded to the flexible printed board, and the thickness of the printed board is 0.25max

Product dimensions drawing

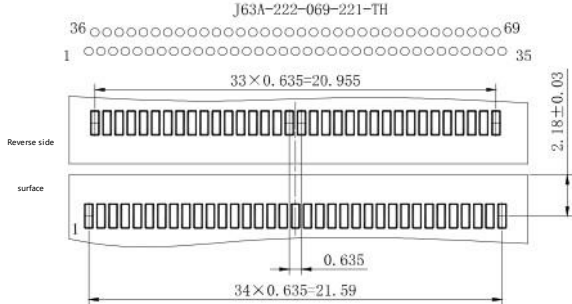
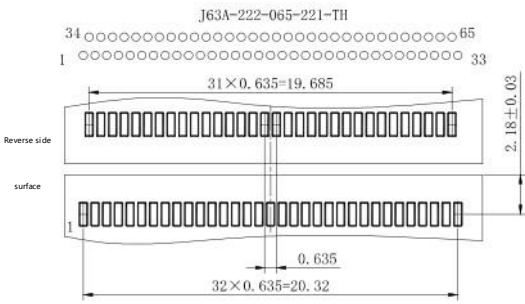
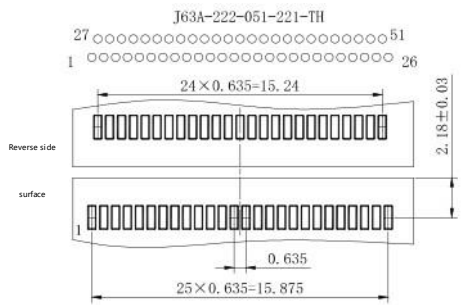
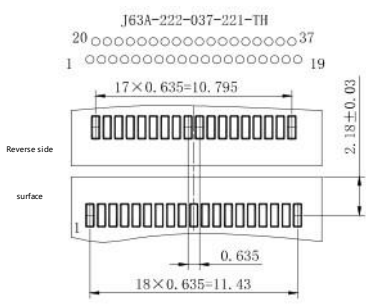
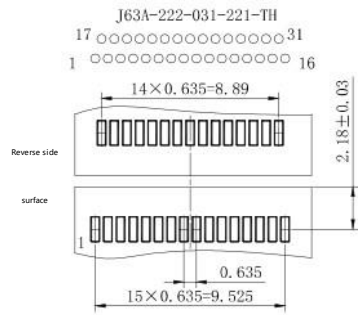
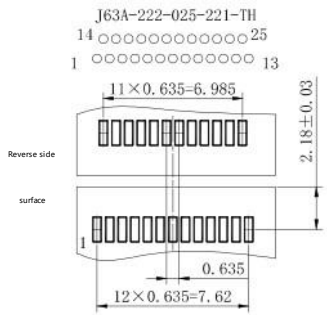
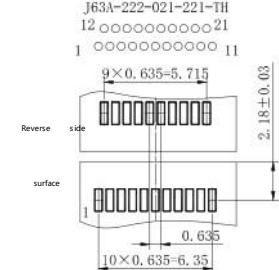
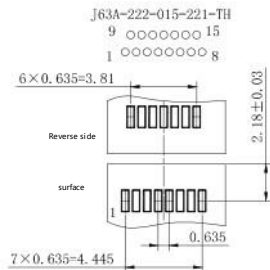
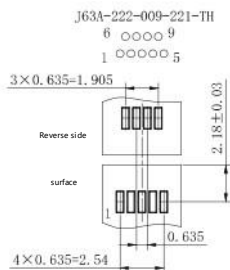
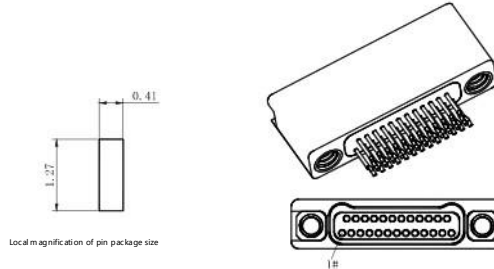


spectrum	dimension		spectrum	dimension		spectrum	dimension	
	A	B		A	B		A	B
9-core	9.63	6.86	15-core	11.53	8.76	21-core	13.44	10.67
25-core	14.71	11.94	31-core	16.61	13.84	37-core	18.52	15.75
51-core	22.96	20.19	65-core	27.41	24.64	69-core	28.68	25.91

J63A series smaller rectangular electrical connector

J63A series ultra-micro rectangular electrical connector

Printed board package size (for reference only)

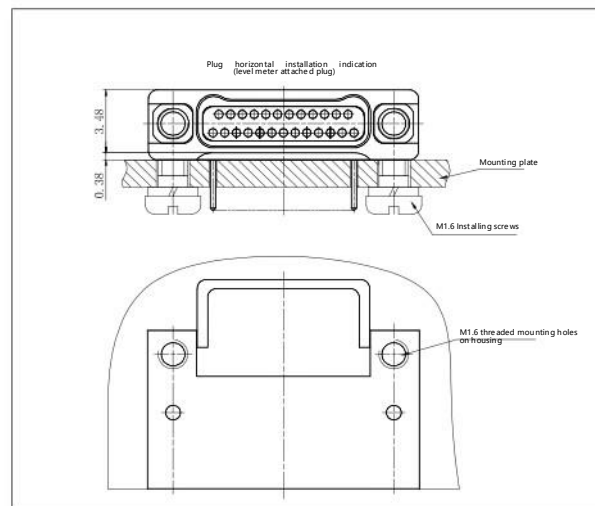
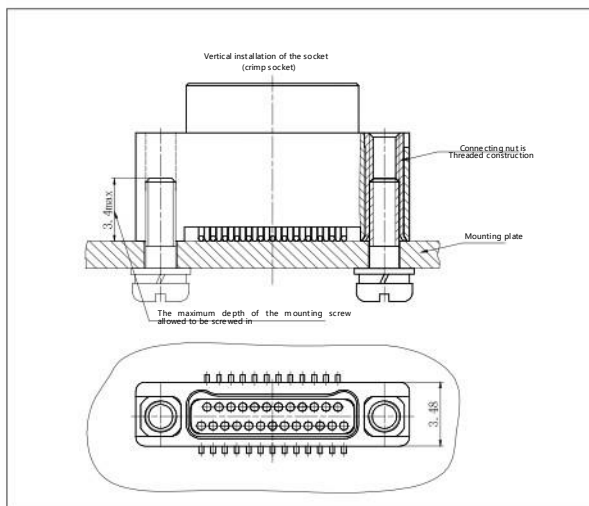
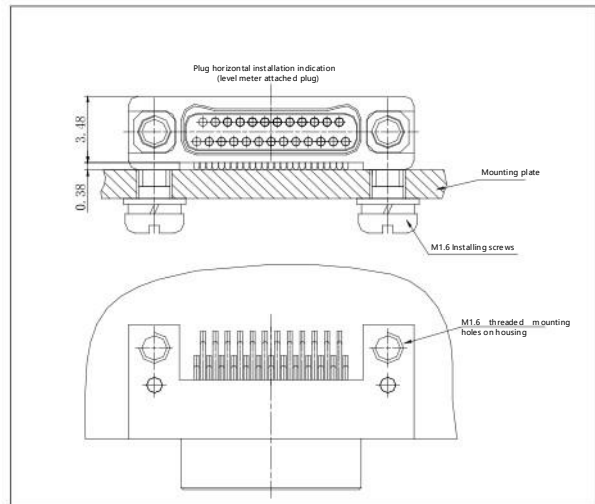
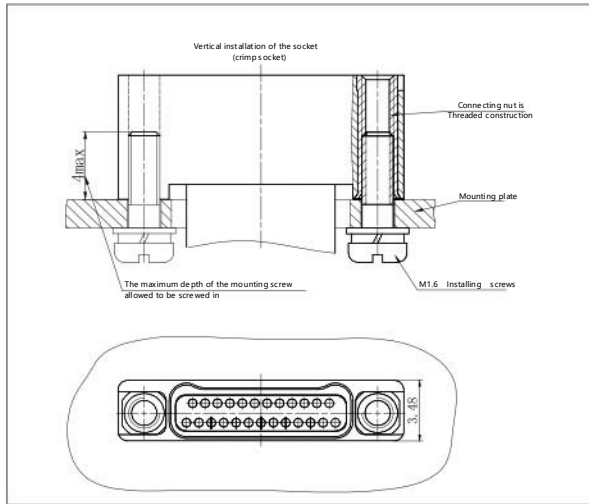


J63A series smaller rectangular electrical connector

J63A series ultra-micro rectangular electrical connector

According to the structure of the plug and socket, the fixing end of the connector and the mounting plate can be installed in the following ways: If the connecting nut on the shell is threaded, it is installed vertically; if the threaded mounting hole is installed horizontally.

Installation diagram



J63A series smaller rectangular electrical connector

2, installation and use

① Crimping series connector installation steps:

Selection of mounting screws (see 2.1) → installation (see 2.3) → fixing of wires (see 2.4) → welding wires (see 2.5). Printed board

② connector installation steps:

Removal of protection plate (see 2.2) → selection of mounting screws (see 2.1) → Installation (see 2.3) → welding pins (see 2.6).

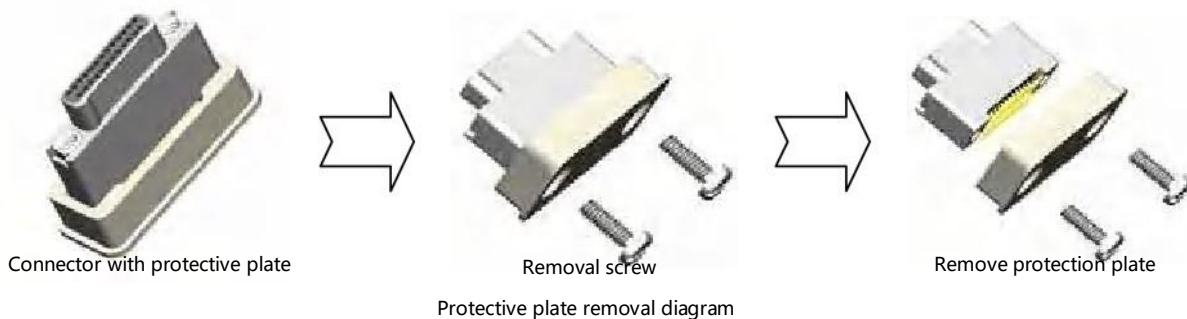
2.1 Selection of mounting screws

The size of the mounting screw is M1.6, and the length of the screw is determined according to the thickness of the mounting plate and the maximum screw insertion depth allowed by the series of drawings. If space permits, flat washers and spring washers should be installed on the screws. If the flat washer and spring washer are not installed, apply a medium strength thread locking agent (removable) to the thread of the mounting screw for reinforcement. The recommended thread locking agent is Le State 243.

Recommended screw selection: GB67-M1.6×L(L is the length), recommended spring washer selection: GB93 1.6, recommended flat washer selection: GB8481.6, if the screw locking agent is used to assist fixation, do not choose spring washer and flat washer. If you require our company to provide mounting screws, please indicate in the contract.

2.2 Removal of printed board connector protection board

To protect the pin at the end of the printed board connector, the printed board connector is equipped with a protection plate, which is fixed to the housing by a slotted screw. Remove the protection board when using the printed board connector. Do not touch the pins when disassembling, especially surface mount connectors. The pin of the surface mount connector is soft and easy to deform, and external force will cause deformation when touched. Therefore, when disassembling, the screws should be removed first, and then carefully take out the protection plate in parallel.



In addition, the slotted screws to be installed on the protection plate are not installation screws of the product. When installing the product, use the screws of the corresponding length (see 2.1) according to the actual requirements. If the screws meet the installation requirements, use the screws.

2.3 Installation

Install according to the opening dimensions and installation drawings of each series of products. If flat washers and spring washers are not used, apply thread locking agent to the screw threads.

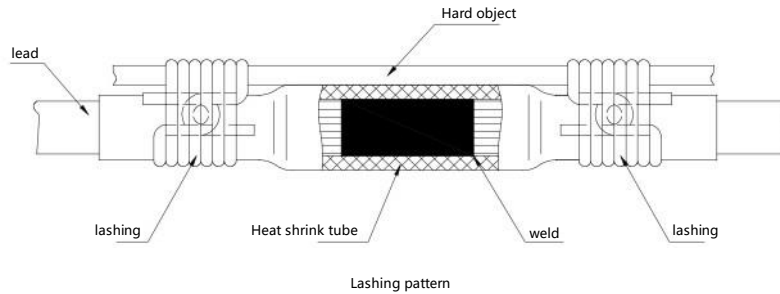
2.4 Fixing the conductor of the sling connector

Due to the small size and low strength of the wire used by the connector, it is easy to be damaged by external force. Therefore, in order to avoid the influence of the long swing wire on the connector, the cable of the connector should be fixed on the installation panel. Under normal circumstances, the wire at least 100mm away from the end of the connector should be tied and fixed.

2.5 Weld wires

Because of the small diameter and low strength of the 0.035mm² cross-sectional wire, weld the wire to the printed board or other terminals. When used, it is recommended to use potting glue to seal and fix the welding joint to prevent the core wire from breaking due to random swing. If the wire is welded with the wire, it is recommended to use the heat shrink tube heat shrink protection, and then bind the two ends of the welding to a hard object to prevent the welding joint from being damaged by force. If there are multiple wire harnesses, you can bundle them together.

J63A series smaller rectangular electrical connector



2.6 Welding pins

1) Welding of perforated printed board pins

After the perforated printed board connector is installed, the pin can be welded according to the relevant requirements of QJ3117-99 "Manual welding process Technical requirements for Aerospace Electronic and Electrical Products".

2) Pin welding of surface mount printed board

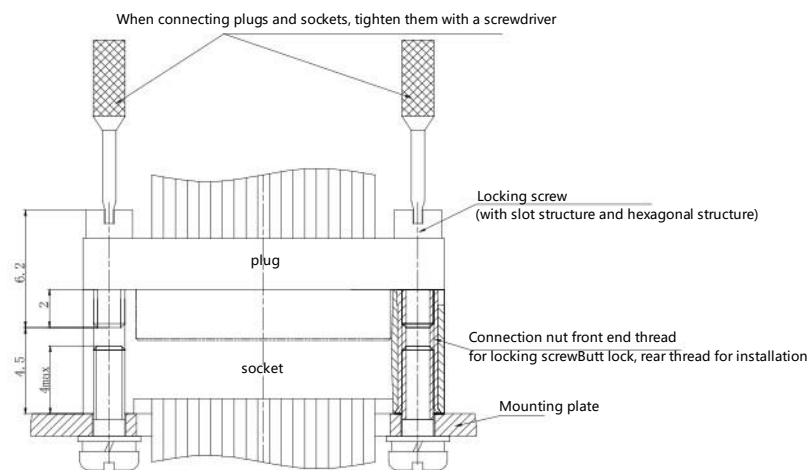
Reflow welding technology is recommended for table connectors, which can be carried out according to the relevant requirements of QJ3173-2003 "Technical Requirements for Reflow Welding of Aerospace Electronic and Electrical Products". To secure connectors reliably and ensure welding quality, install and secure connectors using mounting screws.

3, pair

3. Connect connectors with locking screws (JC, JC1, Jc4)

When the product is connected, the plug and socket should be pre-inserted, and then the screwdriver should be used (small flat-head screwdriver for the slotted structure <JC>, special hexagonal screwdriver for the hexagonal structure <JC1>, small Phillips screwdriver for the cross slotted structure <JC4>). Screw the locking screw. When screwing, you must first screw one half circle, then screw the other half circle, and repeat until it is completely inserted. It is not allowed to screw one side (or too much) and then screw one side, as this will damage the product.

When the hex lock screw <JC1> is selected, after the screwing is in place (in place state: the head shell is basically aligned), the force should not be applied, too much force will cause the hex of the lock screw to slip, and can not be removed with a screwdriver.

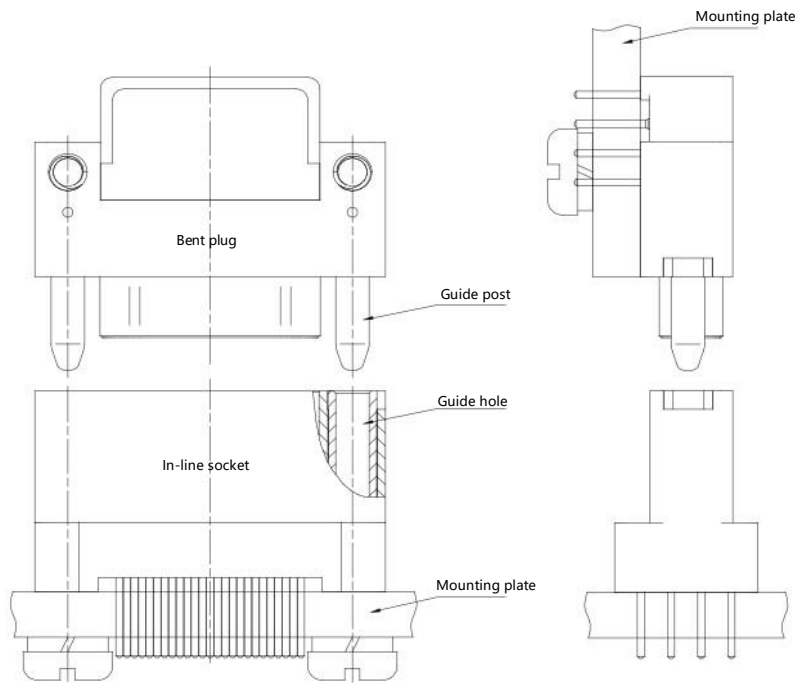


Crimped plug and socket butt locking diagram

J63A series smaller rectangular electrical connector

3.2 Connecting the Connector with the Guide function

For a connector with a guide function, the plug is generally equipped with a guide column, and the socket is equipped with a guide hole. When used, the connector is first fixed on the corresponding mounting plate. When docking, first insert the guide column of the plug and socket with the guide hole, and then gently apply force to gradually correct the product to insert the connector in place (do not burst force, hard insert, will damage the product). After the connector is inserted into place, the mounting plate should be fixed to prevent the plug and socket from coming loose, and to prevent the connector from being damaged due to the weight of the mounting plate.



Connection diagram of bent plug with guide post and straight socket with guide hole

J30J Series miniature rectangular electrical connector

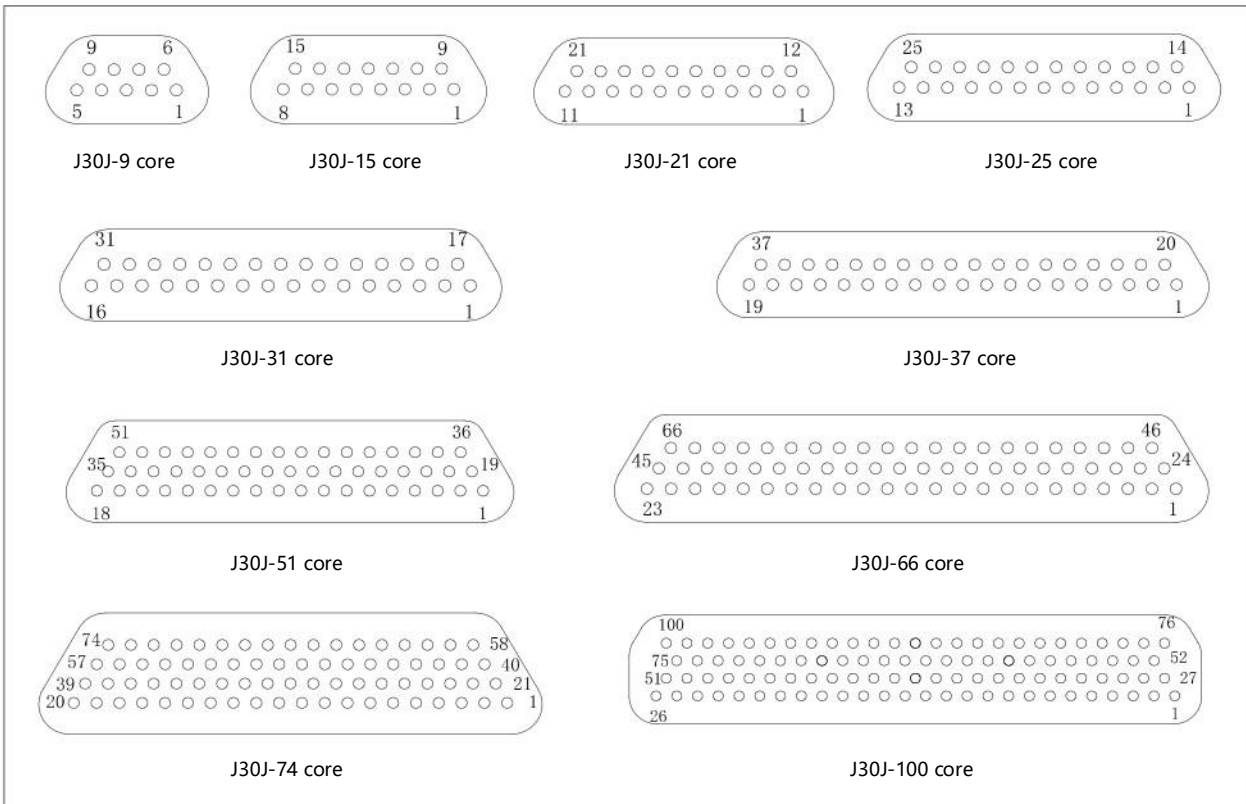
Brief introduction of characteristics

- Corresponding to the American MDM series products
- Number of cores: There are 9, 15, 21, 25, 31, 37, 51, 66, 74, 100 core ten specifications Twisted
- elastic pin (twist needle), high contact density
- Conductor core area is 0.1mm² to 0.15mm². In addition, 0.07mm² wire can also be used, but the product model is special
- The locking components of this series of products are assembled together with the products according to the order requirements. If the locking components are not required, they should be indicated in the contract
- The product performance meets the requirements of GJB2446

Technical characteristics

- Ambient temperature: -55°C~+125°C
- oscillate: 10Hz ~ 2000Hz 196M/S²
- Random vibration: Power spectral density 0.4G²/Hz total speed root mean square value of 23.1G²
- impact: 735M/S 11MS
- Rated current: 3A
- Contact resistance: ≤10mΩ
- Insulation resistance: ≥ 5000m Ω
- Medium voltage: 800V
- Mechanical life: 500 cycles

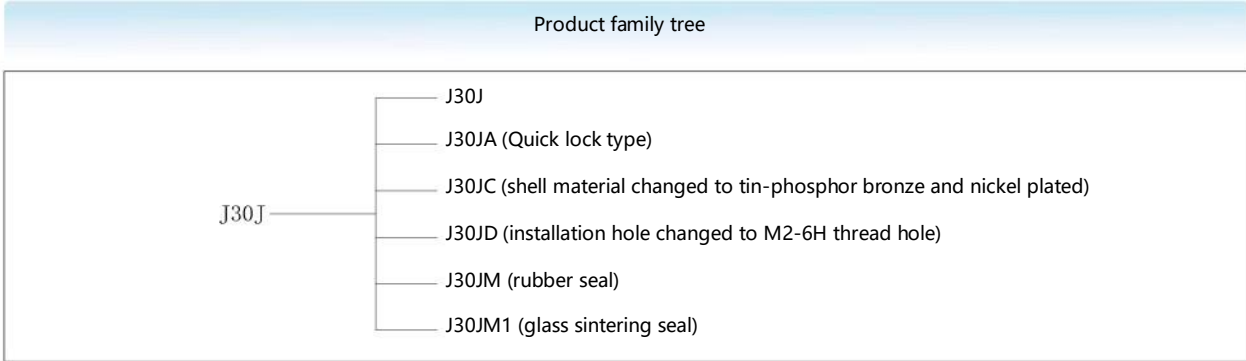
Spectral arrangement



Note: View from plug butt end

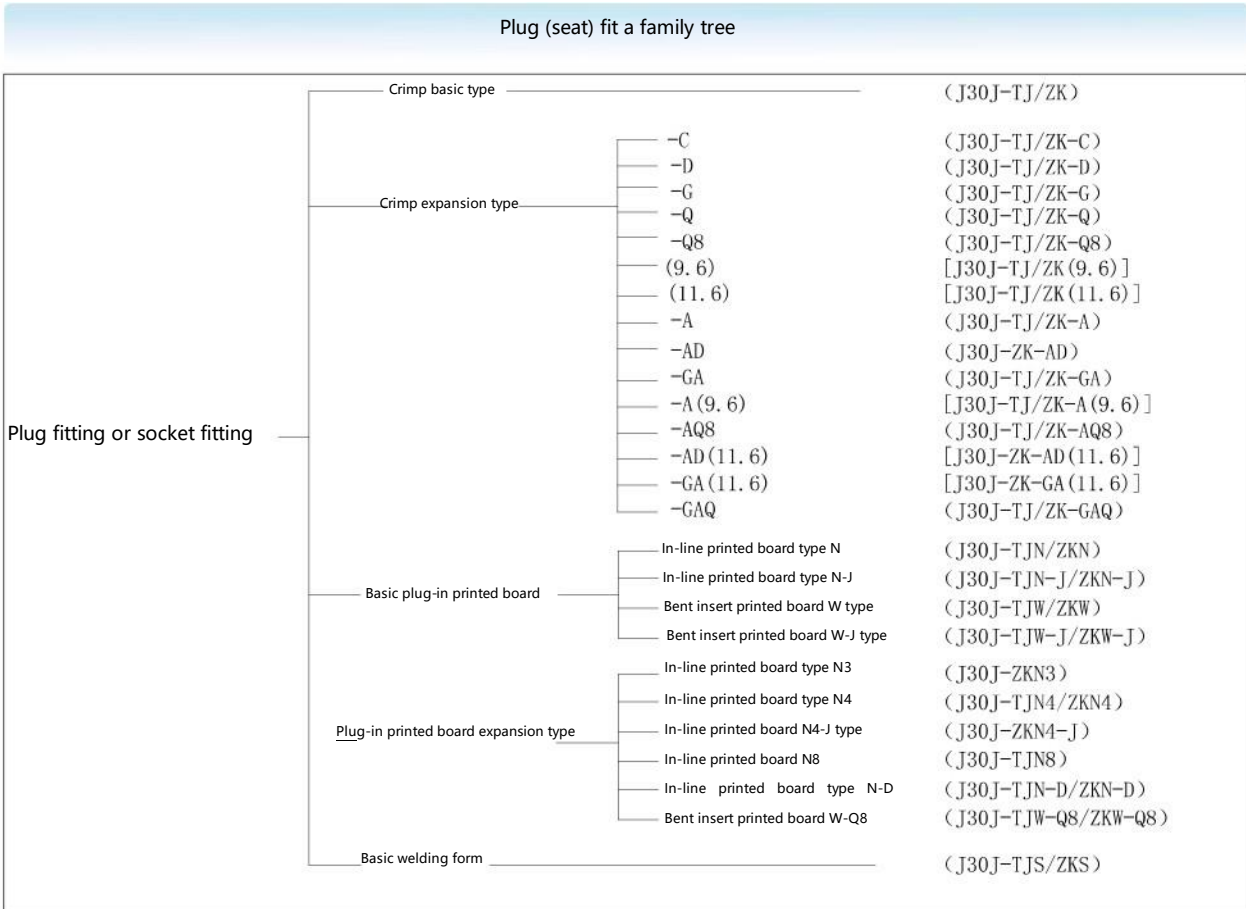
J30J Series miniature rectangular electrical connector

Product family tree

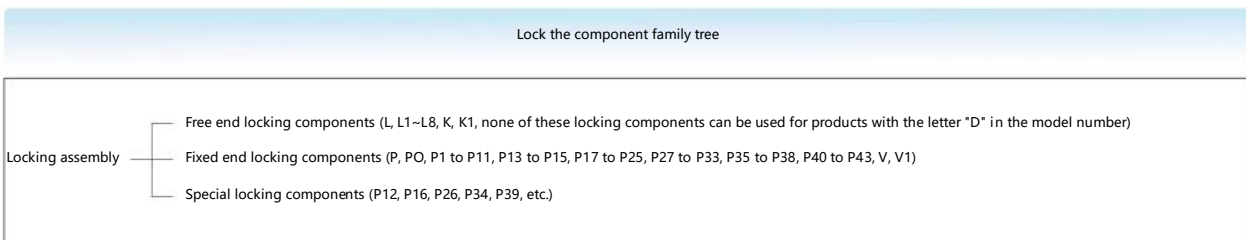


J30J product family tree can be listed by plug (seat) family tree, lock assembly family tree, wire clamp family tree, and plug (seat) family tree, as follows:

Plug (seat) fit a family tree

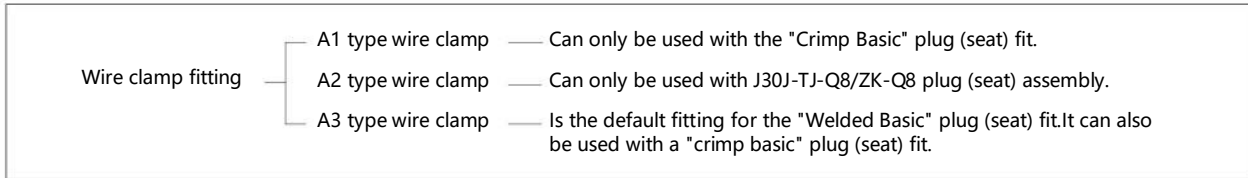


Lock the component family tree



J30J Series miniature rectangular electrical connector

Line clamp pieces genealogical tree



Product selection must know matters

When selecting J30J products, the plug (seat) assembly and locking assembly should be selected at the same time, so that the plug or socket with locking function can be selected. The wire clamp is not required, but you can decide whether to choose it on demand.

In addition, because not all plug (seat) assemblies, locking assemblies, wire clamping assemblies can be arbitrarily combined with each other and product characteristics, the selection of J30J products should first be aware of the following:

- 1, the selection of wire clips should be carried out according to the provisions of "wire clips family tree". In addition, plug (seat) assemblies equipped with wire clamps should not be fitted with locking assemblies in the pre-installation state of the board (that is, mounting screws are suitable for locking assemblies installed in front of the board, such as P, P8, P9, etc.), because the presence of wire clamps will make the mounting plate unable to be installed; If a plug (seat) fitting with a wire clamp is to be fitted with a locking assembly in the post-plate installation state (that is, the mounting screw is suitable for the locking assembly in the post-plate installation, such as P0, P3, P4, P11, etc.), the thickness of the plate must be considered as "mounting plate thickness +0.7".
- 2, because the welding of the basic type plug (seat) fitting (J30J-TJS/ZKS) default equipped with A3 wire clamp fitting, so on the basis of the extension of the J30J-TJS/ZKS-G plug (seat) fitting should also be installed by default A3 wire clamp fitting. In order to maintain the same coating as the case, the clamp should also be plated with cadmium.
- 3, the plug (seat) fitting containing the capital letter "D" in the model cannot be equipped with L, L1 ~ L8, K, K1 and other locking components.
4. If the plug (seat) fitting containing the capital letter "D" at the rear end of the model is to be fitted with the locking assembly for the post-plate installation state (that is, the mounting screw is suitable for the locking assembly for the post-plate installation, such as P0, 4P3, P4, P11, etc.), the thickness of the plate must be considered as "mounting plate thickness +0.6".
5. The J30J-TJ/ZK-Q plug (seat) assembly is equipped with a flange interface rubber pad by default, but the rubber pad is only meaningful when the plug (seat) assembly is equipped with a fixed end locking assembly. If the plug (seat) assembly is equipped with a free end locking assembly, the rubber pad is not required. If the plug (seat) assembly is equipped with a special locking assembly, it depends on whether the locking assembly is required with a mounting plate Fixed to determine whether to use flange interface rubber pad. However, due to the uniformity of product status, regardless of the locking component of the product, the rubber pad is compatible with the product factory.
- 6, if most of the holes of the product need to be connected to the outer diameter of the thick wire (such as AFRP-250 or AFPF-1 shielding wire, etc.), you should consider whether the product's filling cavity and wire clamp (when) have enough space, and the conclusion is usually only after the trial assembly can be reached.
- 7, if the product needs to press the surface of the wiring core without plated wire, or the core surface of the tin wire, or single-core wire, because the process of crimping such wires is special, so the order contract should be non-standard contract and should indicate the status of the wire core in the contract. Such wires are mainly AFR-200 wires, similar to 82A01111 and other wires beginning with 82A, and soft round copper wires.
- 8, the empty point in the product treatment, if there is no technical agreement or no consensus has been reached before, the empty point is plugged with the jack or pin assembly of the uncrimped wire.

J30J Series miniature rectangular electrical connector

Order mark

J30J × - × TJ/ZK × × - × × (附加说明)
 ① ② ③ ④ ⑤ ⑥ ⑦ ⑧

- ① Principal name code: Principal name code:
- ② Series modifications: Series variant: Not indicated - basic variant
 C- Shell material is tin-phosphorus bronze and nickel-plated C - Shell material is tin-phosphorus bronze and nickel-plated D-mounting hole to M2-6H
 M-rubber seal
 M1 - glass sintered seal
- ③ Number of contact parts: 9, 15, 21, 25, 31, 37, 51, 66, 74, 100
- ④ Connector and contact type:
 TJ- Plug insertion pin
 ZK - Socket with jack
- ⑤ Tail end form: TJ and ZK are fixed collocation
 No letters - crimp
 S-welding
 N - In-line printed board
 W- curved insert printed board
- ⑥ Locking components Category: See J30J Locking Components No letters - Shell plated with nickel
- ⑦ G - Enclosures are plated with cadmium
- ⑧ Basic modification: A - Housing end with shielded cable clamp
 C- Used when the direction of the product outlet is perpendicular to the axial direction of the contact D-socket housing flange butt end with anti-turning slot
 AD - Combination of variant A and Variant D Q- Enclosure flange widening
 J A printed board grid spacing of 1.27 ×2.54 (column × row)

Note: Additional instructions are not part of the order mark. Please indicate the specifications of crimped wires in brackets when selecting, such as cross-sectional area, length and color of wires. If there is a special connection requirement, please give the connection relationship.

Examples of flags:

J30J-31 ZKP-GAD(11.6) (conductor using AFR-250 0.12mm², wire length 300mm, set of nylon wire sleeve)

The above marks indicate that the number of contact parts is 31 cores, the socket is installed with jack, the end of the contact parts is crimped, with P-type locking assembly, with tail cover and wire clamp, and the whole wire bundle is covered with heat shrink tube and shielding net, the plating of the shell and wire clamp and the tail cover are plated with cadmium, the shell flange is anti-rotating groove and the flange width is 11.6mm; The conductor grade is AFR-250, and the conductor core cross-sectional area is 0.12mm². The length of the wire is not less than 300mm, the color of the wire is arbitrary, but the same batch of products must be unified and all hole positions are crimped wire (where the additional instructions do not specify the color of the wire and do not mention the requirements for connecting the wire at each hole position are this default), the outer layer of the wire bundle also needs to be a J30J socket with a nylon wire set.

J30J Series miniature rectangular electrical connector

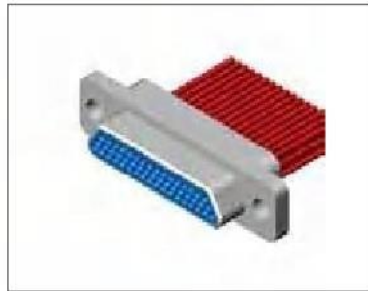
J30J Series miniature rectangular electrical connector

- plug
- J30J-9、15、21、25、31、37、51、66、74、100TJ

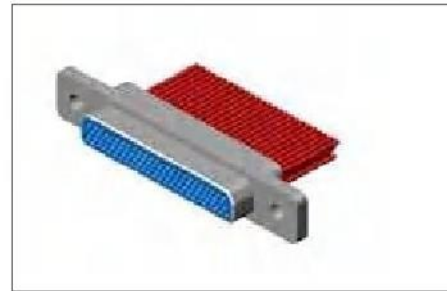
Product stereogram



J30J-9TJ



J30J-51TJ



J30J-100TJ

- socket
- J30J-9、15、21、25、31、37、51、66、74、100ZK

Product stereogram



J30J-9ZK

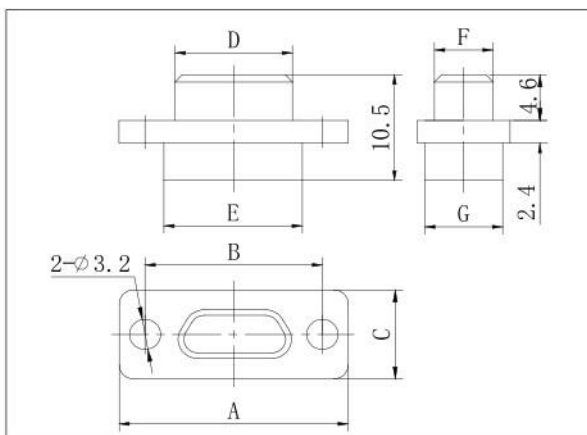


J30J-51ZK



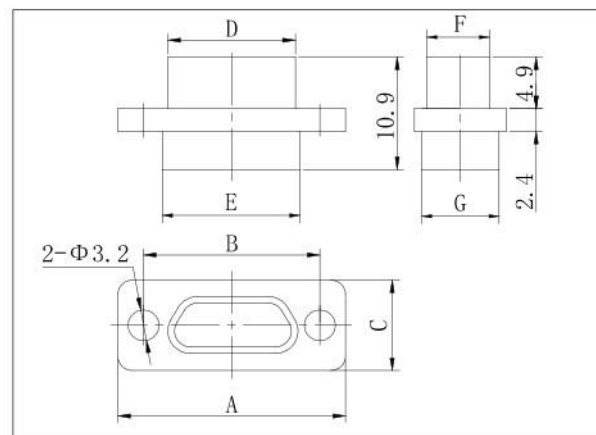
J30J-100ZK

Product dimensions drawing



J30J- □ TJ

Product dimensions drawing



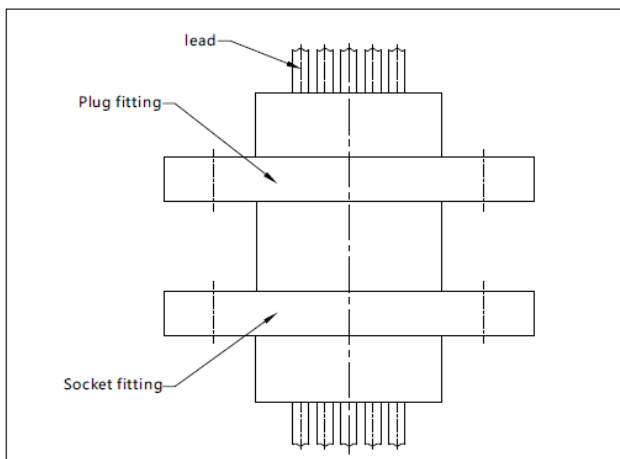
J30J- □ ZK

J30J Series miniature rectangular electrical connector

J30J crimped basic type \J30J-TJ&J30J-ZK

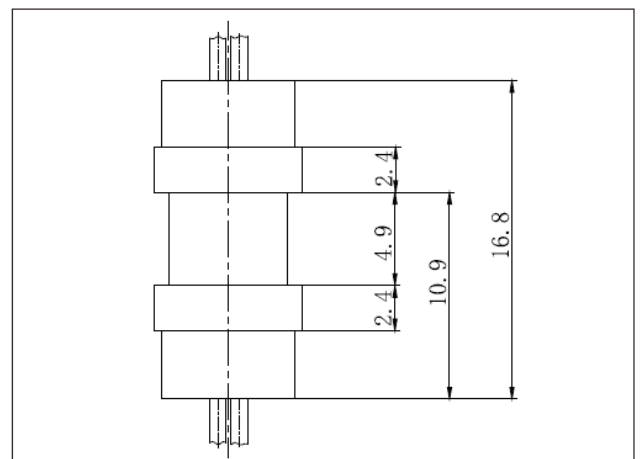
Order mark	A	B	C	D	E	F	G
J30J-9TJ	19.6	14.3	7.6	8.3	9.9	4.7	6.8
J30J-15TJ	23.5	18.2	7.6	12.3	13.8	4.7	6.8
J30J-21TJ	27.4	22	7.6	16	17.6	4.7	6.8
J30J-25TJ	29.8	24.5	7.6	18.6	20.2	4.7	6.8
J30J-31TJ	33.6	28.3	7.6	22.4	24	4.7	6.8
J30J-37TJ	37.4	32.2	7.6	26.3	27.8	4.7	6.8
J30J-51TJ	36.4	30.86	8.7	25	26.6	5.8	7.9
J30J-66TJ	42.9	37.3	8.7	31.4	33	5.8	7.9
J30J-74TJ	38.8	33.5	9.7	27.5	29.1	6.8	9.1
J30J-100TJ	54.7	45.7	9.7	35	36.6	6.8	9.1
J30J-9ZK	19.6	14.3	7.6	9.8	9.9	6.1	6.8
J30J-15ZK	23.5	18.2	7.6	13.7	13.8	6.1	6.8
J30J-21ZK	27.4	22	7.6	17.4	17.6	6.1	6.8
J30J-25ZK	29.8	24.5	7.6	20	20.2	6.1	6.8
J30J-31ZK	33.6	28.3	7.6	23.8	24	6.1	6.8
J30J-37ZK	37.4	32.2	7.6	27.7	27.8	6.1	6.8
J30J-51ZK	36.4	30.86	8.7	26.5	26.6	7.2	7.9
J30J-66ZK	42.9	37.3	8.7	32.9	33	7.2	7.9
J30J-74ZK	38.8	33.5	9.7	29	29.1	8.3	9.1
J30J-100ZK	54.7	45.7	9.7	36.6	36.65	8.2	9.1

Product appearance after docking



Main view

Product appearance after docking



Left view

J30J Series miniature rectangular electrical connector

J30J Crimped expansion type VJ30J-TJ-C&J30J-ZK-C

Crimp type products in which the direction of the tail conductor is swung is perpendicular to the butt direction of the product.

■ plug

■ J30J-9、15、21、25、31、37、51、66、74、100TJ-C

Product stereogram



J30J-9TJ-C

Product stereogram



J30J-51TJ-C

■ socket

■ J30J-9、15、21、25、31、37、51、66、74、100ZK-C

Product stereogram



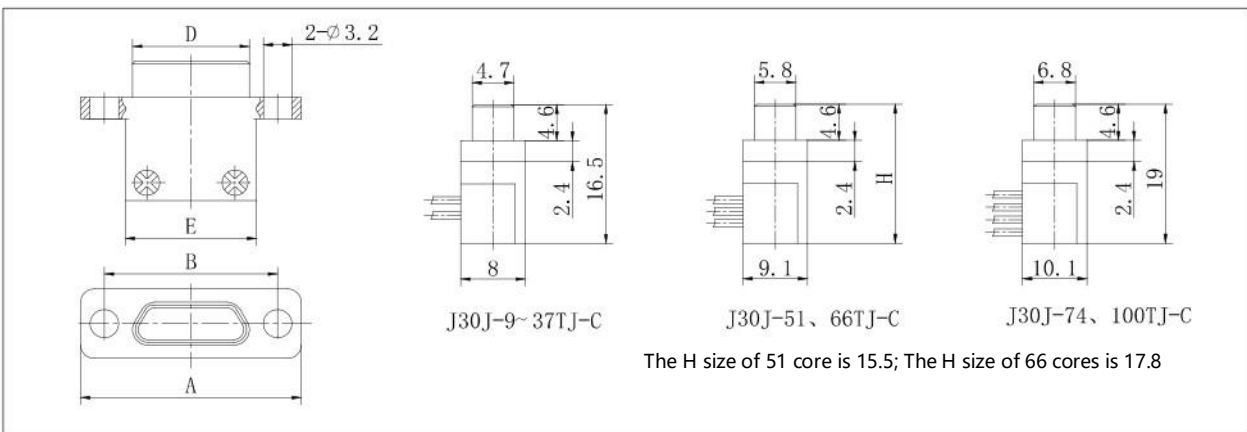
J30J-9ZK-C

Product stereogram



J30J-51ZK-C

Product dimensions drawing



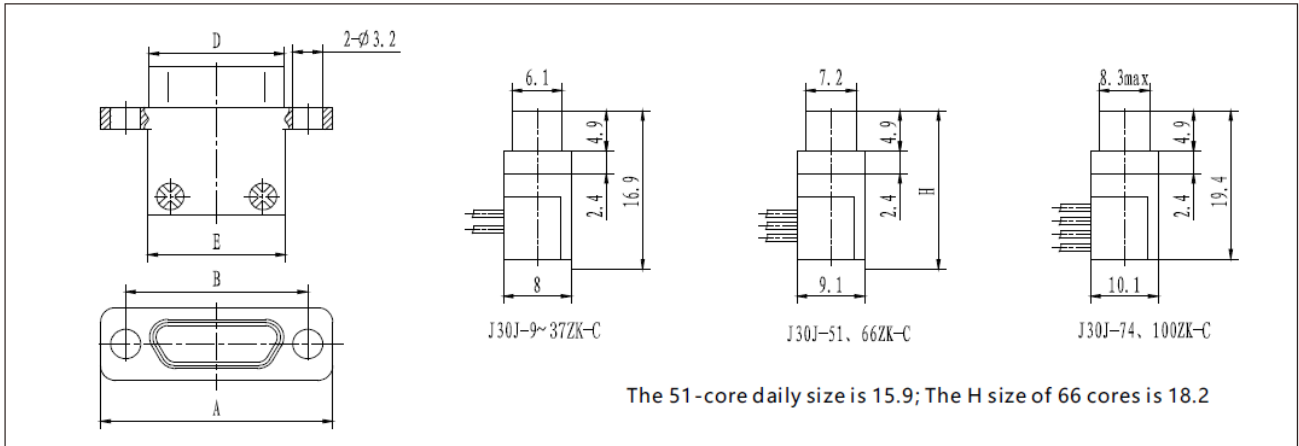
J30J-9 ~ 100TJ-C

Each number of plugs left view

J30J Series miniature rectangular electrical connector

J30J Crimped expansion type \J30J-TJ-C&J30J-ZK-C

Product dimensions drawing



J30J-9 ~ 100ZK-C

Each core number socket fitting left view

Order mark	A	B	D		E
			TJ-C	ZK-C	
J30J-9TJ / ZK-C	19.6	14.3	8.3	9.8	9.9
J30J-15TJ / ZK-C	23.5	18.2	12.3	13.7	13.8
J30J-21TJ / ZK-C	27.4	22	16	17.4	17.6
J30J-25TJ / ZK-C	29.8	24.5	18.6	20	20.2
J30J-31TJ / ZK-C	33.6	28.3	22.4	23.8	24
J30J-37TJ / ZK-C	37.4	32.2	26.3	27.7	27.8
J30J-51TJ / ZK-C	36.4	30.86	25	26.5	26.6
J30J-66TJ / ZK-C	42.9	37.3	31.4	32.9	33
J30J-74TJ / ZK-C	38.8	33.5	27.5	29	29.1
J30J-100TJ / ZK-C	54.7	45.7	35	36.6	36.6

Instructions: It should be noted that the outlet direction of the J30J-TJ-C plug assembly and the J30J-ZK-C socket assembly is opposite.

J30J Series miniature rectangular electrical connector

J30J crimped expansion type \J30J-TJ-D&J30J-ZK-D

A crimping product with a recess in the housing flange to prevent the mounting screw from spinning.

■ plug

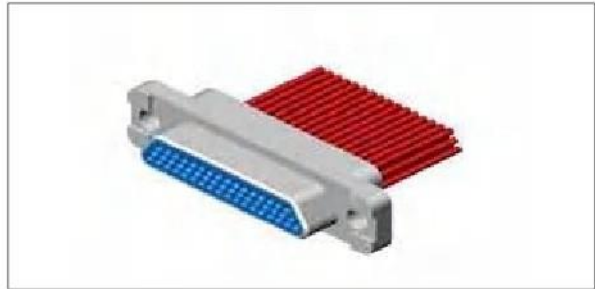
■ J30J-9, 15, 21, 25, 31, 37, 51, 66, 74, 100TJ-D

Product stereogram



J30J-9TJ-D

Product stereogram



J30J-51TJ-D

■ socket

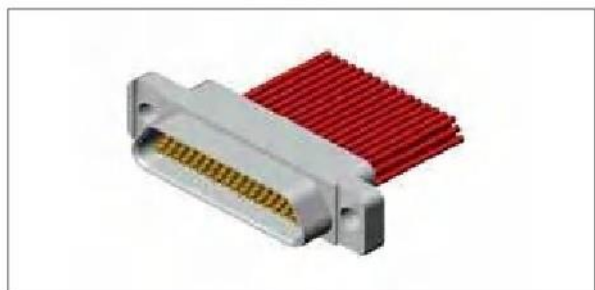
■ J30J-9, 15, 21, 25, 31, 37, 51, 66, 74, 100ZK-D

Product stereogram



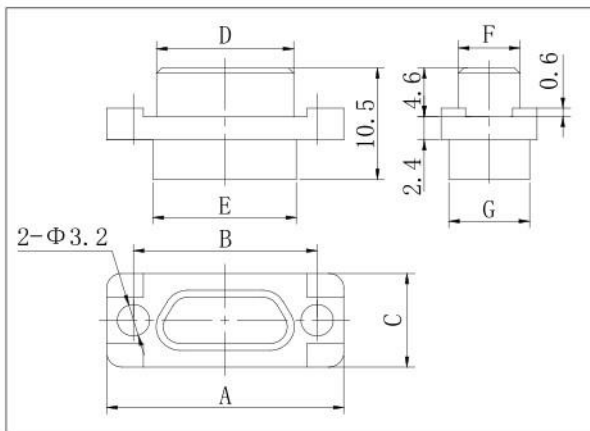
J30J-9ZK-D

Product stereogram



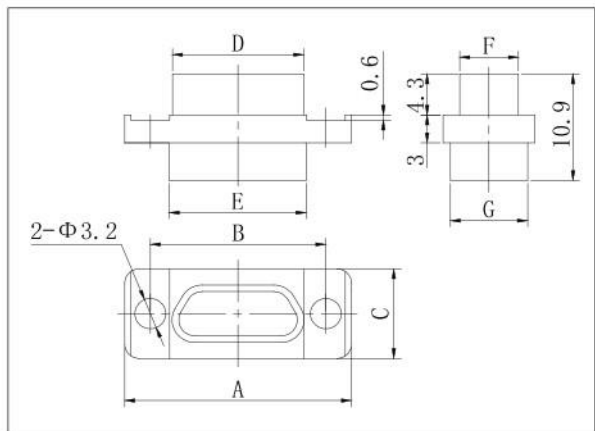
J30J-51ZK-D

Product dimensions drawing



J30J- □ TJ-D

Product dimensions drawing



J30J- □ ZK-D

J30J Series miniature rectangular electrical connector

J30J crimped expansion type \J30J-TJ-D&J30J-ZK-D

Order mark	A	B	C	D	E	F	G
J30J-9TJ-D	19.6	14.3	7.6	8.3	9.9	4.7	6.8
J30J-15TJ-D	23.5	18.2	7.6	12.3	13.8	4.7	6.8
J30J-21TJ-D	27.4	22	7.6	16	17.6	4.7	6.8
J30J-25TJ-D	29.8	24.5	7.6	18.6	20.2	4.7	6.8
J30J-31TJ-D	33.6	28.3	7.6	22.4	24	4.7	6.8
J30J-37TJ-D	37.4	32.2	7.6	26.3	27.8	4.7	6.8
J30J-51TJ-D	36.4	30.86	8.7	25	26.6	5.8	7.9
J30J-66TJ-D	42.9	37.3	8.7	31.4	33	5.8	7.9
J30J-74TJ-D	38.8	33.5	9.7	27.5	29.1	6.8	9.1
J30J-100TJ-D	54.7	45.7	9.7	35	36.6	6.8	9.1
J30J-9ZK-D	19.6	14.3	7.6	9.8	9.9	6.1	6.8
J30J-15ZK-D	23.5	18.2	7.6	13.7	13.8	6.1	6.8
J30J-21ZK-D	27.4	22	7.6	17.4	17.6	6.1	6.8
J30J-25ZK-D	29.8	24.5	7.6	20	20.2	6.1	6.8
J30J-31ZK-D	33.6	28.3	7.6	23.8	24	6.1	6.8
J30J-37ZK-D	37.4	32.2	7.6	27.7	27.8	6.1	6.8
J30J-51ZK-D	36.4	30.86	8.7	26.5	26.6	7.2	7.9
J30J-66ZK-D	42.9	37.3	8.7	32.9	33	7.2	7.9
J30J-74ZK-D	38.8	33.5	9.7	29	29.1	8.3	9.1
J30J-100ZK-D	54.7	45.7	9.7	36.6	36.65	8.2	9.1

J30J crimped expansion type \J30J-TJ-G&J30J-ZK-G

On the basis of J30J-TJ/ZK basic product, the shell coating is changed to cadmium plated state.

■ plug

■ J30J-9, 15, 21, 25, 31, 37, 51, 66, 74, 100TJ-G

■ socket

■ J30J-9, 15, 21, 25, 31, 37, 51, 66, 74, 100ZK-G

Product stereogram



J30J- □ TJ-G

Product stereogram



J30J- □ ZK-G

Description: The product is the same as the J30J-TJ/ZK basic product in appearance except for the color difference due to the coating of the shell. Therefore, the overall size and the opening size of the mounting plate are based on the J30J-TJ/ZK basic product with the corresponding number of cores.

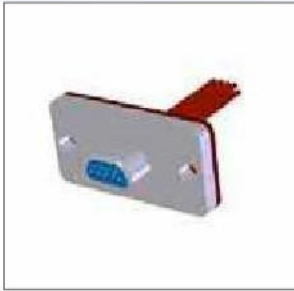
J30J Series miniature rectangular electrical connector

J30J crimped expansion type \J30J-TJ-Q&J30J-ZK-Q

The shell flange is long, wide, the mounting hole spacing is increased, and the flange interface sealing gasket is provided.

- plug
- J30J-9、15、21、25、31、37、51、66、74,100TJ-Q

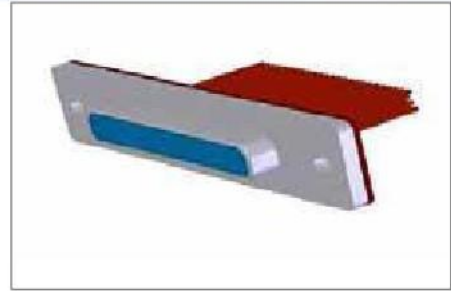
Product stereogram



J30J-9TJ-Q



J30J-51TJ-Q



J30J-100TJ-Q

- socket
- J30J-9、15、21、25、31、37、51、66、74,100ZK-Q

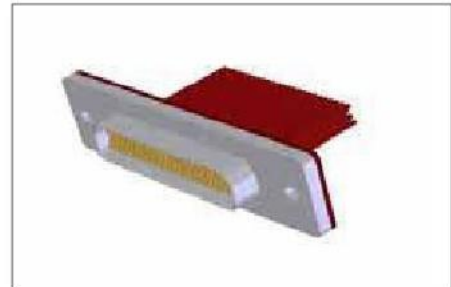
Product stereogram



J30J-9ZK-Q

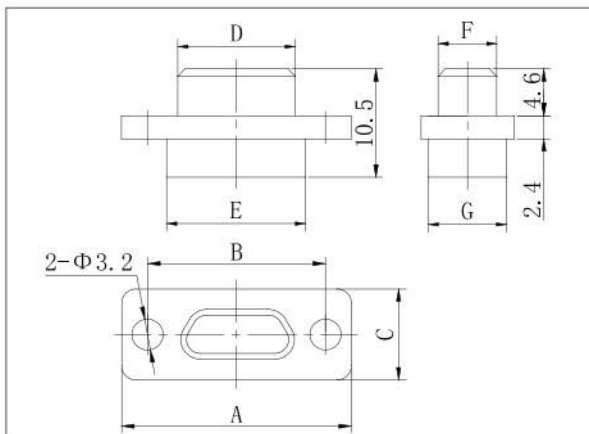


J30J-51ZK-Q

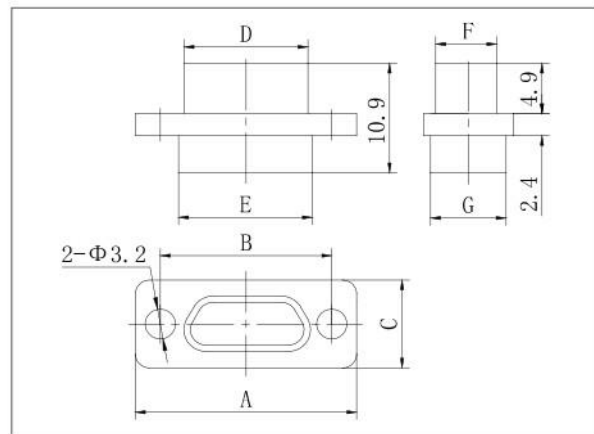


J30J-100ZK-Q

Product dimensions drawing



J30J- □ TJ-Q



J30J- □ ZK-Q

Description: The thickness of the rubber pad installed on the flange of the product (see product stereogram) is 1mm.

J30J Series miniature rectangular electrical connector

J30J crimped expansion type VJ30J-TJ-Q&J30J-ZK-Q

Order mark	A	B	C	D	E	F	G
J30J-9TJ-Q	26	21	14	8.3	9.9	4.7	6.8
J30J-15TJ-Q	29.9	24.9	14	12.3	13.8	4.7	6.8
J30J-21TJ-Q	33.8	28.7	14	16	17.6	4.7	6.8
J30J-25TJ-Q	36.2	31.2	14	18.6	20.2	4.7	6.8
J30J-31TJ-Q	40	35	14	22.4	24	4.7	6.8
J30J-37TJ-Q	43.8	38.9	14	26.3	27.8	4.7	6.8
J30J-51TJ-Q	42.6	37.6	15.2	25	26.6	5.8	7.9
J30J-66TJ-Q	49.3	44	15.2	31.4	33	5.8	7.9
J30J-74TJ-Q	45.2	40.2	16.1	27.5	29.1	6.8	9.1
J30J-100TJ-Q	61.1	52.4	16.1	35	36.6	6.8	9.1
J30J-9ZK-Q	26	21	14	9.8	9.9	6.1	6.8
J30J-15ZK-Q	29.9	24.9	14	13.7	13.8	6.1	6.8
J30J-21ZK-Q	33.8	28.7	14	17.4	17.6	6.1	6.8
J30J-25ZK-Q	36.2	31.2	14	20	20.2	6.1	6.8
J30J-31ZK-Q	40	35	14	23.8	24	6.1	6.8
J30J-37ZK-Q	43.8	38.9	14	27.7	27.8	6.1	6.8
J30J-51ZK-Q	42.6	37.6	15.2	26.5	26.6	7.2	7.9
J30J-66ZK-Q	49.3	44	15.2	32.9	33	7.2	7.9
J30J-74ZK-Q	45.2	40.2	16.1	29	29.1	8.3	9.1
J30J-100ZK-Q	61.1	52.4	16.1	36.6	36.65	8.2	9.1

J30J Series miniature rectangular electrical connector

J30J crimped expansion type VJ30J-TJ-Q8 & J30J-ZK-Q8

The flange length, width and mounting hole spacing of the shell are increased on the basis of J30J-TJ/ZK.

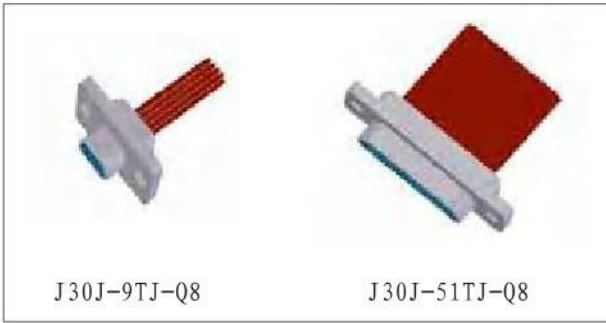
■ plug

■ J30J-9, 15, 21, 25, 31, 37.51TJ-Q8

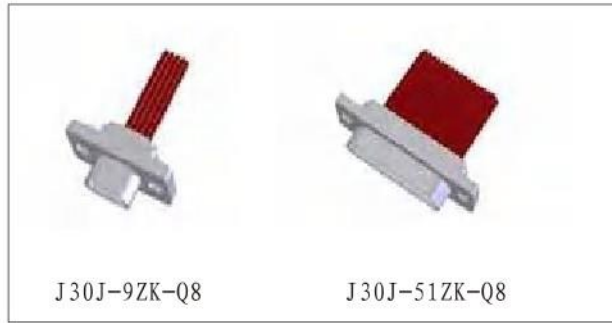
■ socket

■ J30J-9,15,21,25,31,37,51ZK-Q8

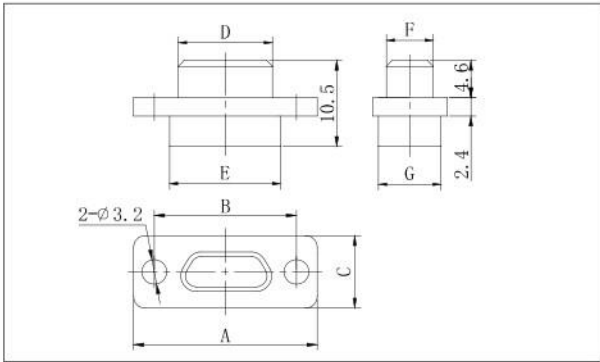
Product stereogram



Product stereogram

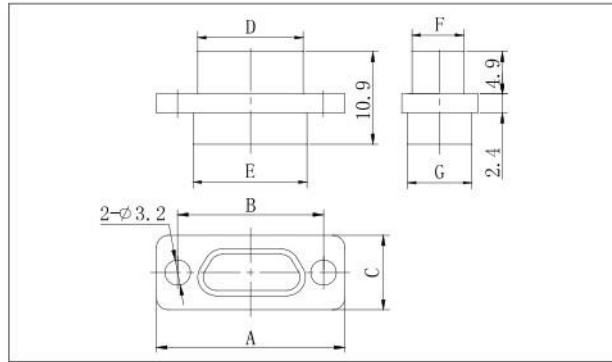


Product dimensions drawing



J30J- □ TJ-Q8

Product dimensions drawing



J30J- □ ZK-Q8

Order mark	A	B	C	D		E	F		G
				TJ-Q8	ZK-Q8		TJ-Q8	ZK-Q8	
J30J-9TJ / ZK-Q8	21.4	16.1	11.6	8.3	9.8	11.7	4.7	6.1	6.8
J30J-15TJ / ZK-Q8	25.3	20	11.6	12.3	13.7	15.6	4.7	6.1	6.8
J30J-21TJ / ZK-Q8	29.2	23.8	11.6	16	17.4	19.4	4.7	6.1	6.8
J30J-25TJ / ZK-Q8	31.6	26.3	11.6	18.6	20	22	4.7	6.1	6.8
J30J-31TJ / ZK-Q8	35.4	30.1	11.6	22.4	23.8	25.8	4.7	6.1	6.8
J30J-37TJ / ZK-Q8	39.2	34	11.6	26.3	27.7	29.6	4.7	6.1	6.8
J30J-51TJ / ZK-Q8	38.2	32.6	12.6	25	26.5	28.4	5.8	7.2	7.9

J30J Series miniature rectangular electrical connector

J30J Crimp Extension type VJ30J-TJ (9.6) & J30J-ZK (9.6) & J30J-TJ (11.6) & J30J-ZK (11.6)

■ plug

■ J30J-9、15、21、25、31、37TJ (9.6)

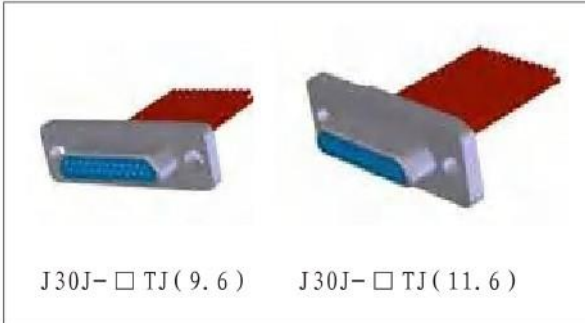
■ J30J-9、15、21、25、31、37TJ (11.6)

■ socket

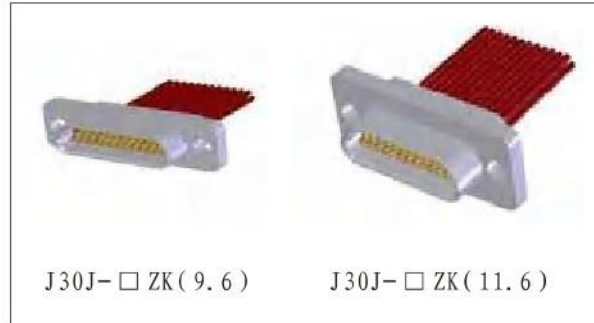
■ J30J-9、15、21、25、31、37ZK (9.6)

■ J30J-9、15、21、25、31、37ZK (11.6)

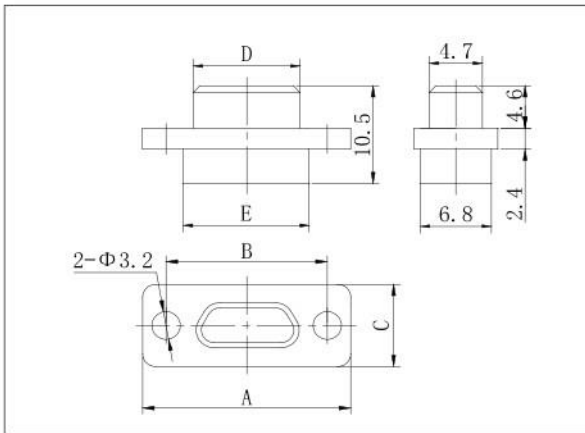
Product stereogram



Product stereogram

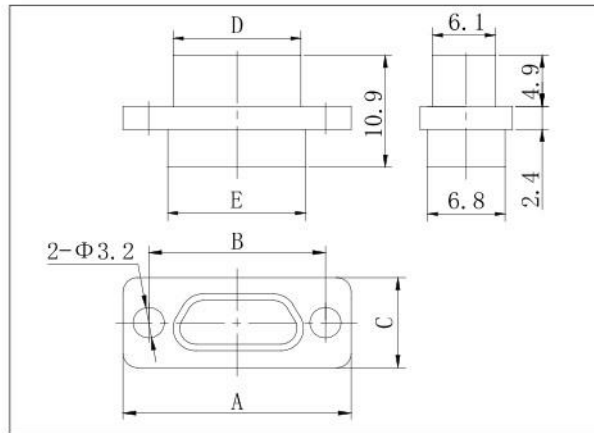


Product dimensions drawing



J30J-TJ (9.6) / J30J-TJ (11.6)

Product dimensions drawing



J30J-ZK (9.6) / J30J-ZK (11.6)

Order mark	A	B	C		D		E
			TJ (9.6) ZK (9.6)	TJ (11.6) ZK (11.6)	TJ (9.6) TJ (11.6)	ZK (9.6) ZK (11.6)	
J30J-9TJ (9.6) / TJ (11.6) / ZK (9.6) / ZK (11.6)	19.6	14.3	9.6	11.6	8.3	9.8	9.9
J30J-15TJ (9.6) / TJ (11.6) / ZK (9.6) / ZK (11.6)	23.5	18.2	9.6	11.6	12.3	13.7	13.8
J30J-21TJ (9.6) / TJ (11.6) / ZK (9.6) / ZK (11.6)	27.4	22	9.6	11.6	16	17.4	17.6
J30J-25TJ (9.6) / TJ (11.6) / ZK (9.6) / ZK (11.6)	29.8	24.5	9.6	11.6	18.6	20	20.2
J30J-31TJ (9.6) / TJ (11.6) / ZK (9.6) / ZK (11.6)	33.6	28.3	9.6	11.6	22.4	23.8	24
J30J-37TJ (9.6) / TJ (11.6) / ZK (9.6) / ZK (11.6)	37.4	32.2	9.6	11.6	26.3	27.7	27.8

J30J Series miniature rectangular electrical connector

J30J crimped expansion type \J30J-TJ-A & J30J-ZK-A

- plug
- J30J-9、15、21、25、31、37、51、66、74、100TJ-A

Product stereogram



J30J-9TJ-A



J30J-51TJ-A



J30J-100TJ-A

- socket
- J30J-9、15、21、25、31、37、51、66、74、100ZK-A

Product stereogram



J30J-9ZK-A

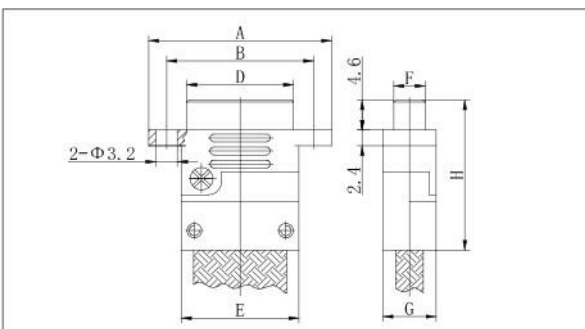


J30J-51ZK-A

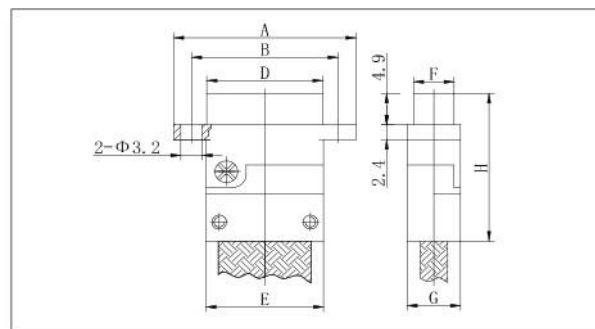


J30J-100ZK-A

Product stereogram



J30J- □ TJ-A



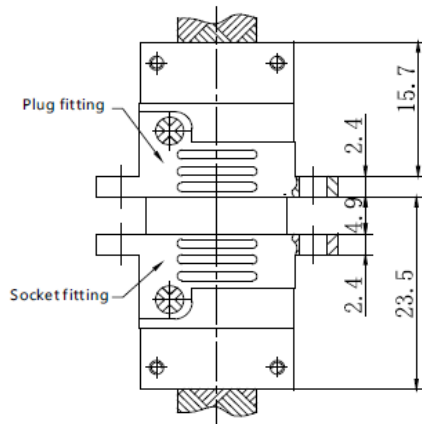
J30J- □ ZK-A

J30J Series miniature rectangular electrical connector

J30J crimped expansion type \J30J-TJ-A & J30J-ZK-A

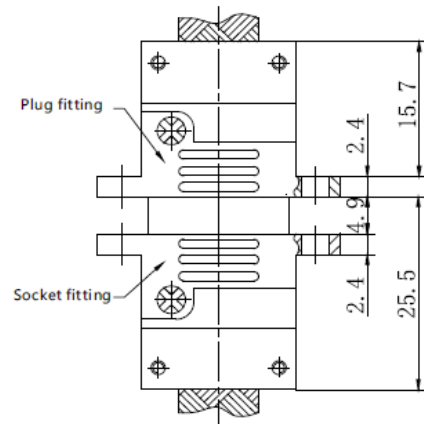
Order mark	A	B	D		E	F		G	H	
			TJ-A	ZK-A		TJ-A	ZK-A		TJ-A	ZK-A
J30J-9TJ / ZK-A	19.6	14.3	8.3	9.8	9.9	4.7	6.1	8	23	23.5
J30J-15TJ / ZK-A	23.5	18.2	12.3	13.7	13.8	4.7	6.1	8	23	23.5
J30J-21TJ / ZK-A	27.4	22	16	17.4	17.6	4.7	6.1	8	23	23.5
J30J-25TJ / ZK-A	29.8	24.5	18.6	20	20.2	4.7	6.1	8	23	23.5
J30J-31TJ / ZK-A	33.6	28.3	22.4	23.8	24	4.7	6.1	8	23	23.5
J30J-37TJ / ZK-A	37.4	32.2	26.3	27.7	27.8	4.7	6.1	8	23	23.5
J30J-51TJ / ZK-A	36.4	30.86	25	26.5	26.6	5.8	7.2	9	23	23.5
J30J-66TJ / ZK-A	42.9	37.3	31.4	32.9	33	5.8	7.2	9	23	23.5
J30J-74TJ / ZK-A	38.8	33.5	27.5	29	29.1	6.8	8.3	11	25	25.5
J30J-100TJ / ZK-A	54.7	45.7	35	36.6	36.8	6.8	8.2	11	25	25.5

Product appearance after docking



J30J-9~66 cores

Product appearance after docking



J30J-74~100 cores

J30J Series miniature rectangular electrical connector

J30J crimped expansion type VJ30J-TJ-AD&J30J-ZK-AD

- plug
- J30J-9、15、21、25、31、37、51、66、74、100TJ-AD

Product stereogram



J30J-9TJ-AD



J30J-51TJ-AD



J30J-100TJ-AD

- socket
- J30J-9、15、21、25、31、37、51、66、74、100ZK-AD

Product stereogram



J30J-9ZK-AD

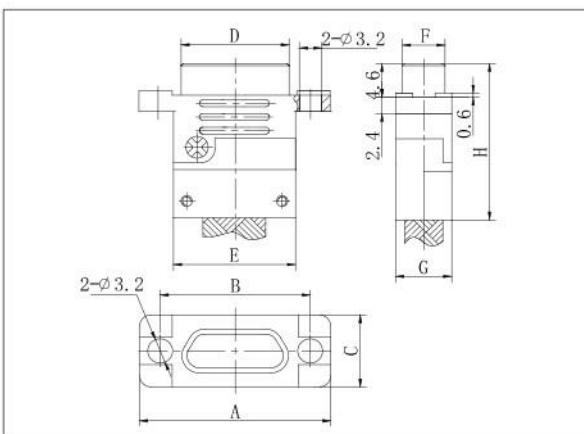


J30J-51ZK-AD

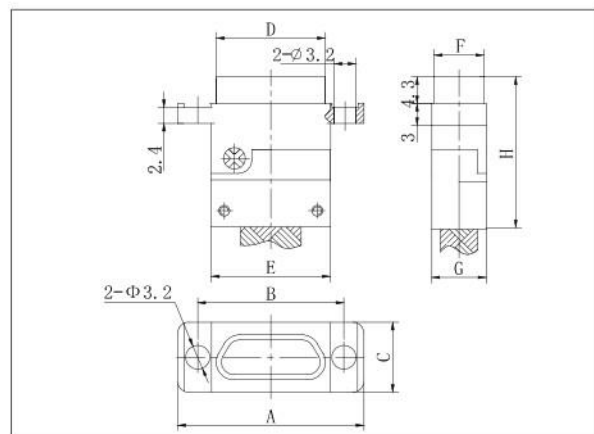


J30J-100ZK-AD

Product dimensions drawing



J30J- □ TJ-AD



J30J- □ ZK-AD

J30J Series miniature rectangular electrical connector

Order mark	A	B	D		E	F		G	H	
			TJ-AD	ZK-AD		TJ-AD	ZK-AD		TJ-AD	ZK-AD
J30J-9TJ / ZK-AD	19.6	14.3	8.3	9.8	9.9	4.7	6.1	8	23	23.5
J30J-15TJ / ZK-AD	23.5	18.2	12.3	13.7	13.8	4.7	6.1	8	23	23.5
J30J-21TJ / ZK-AD	27.4	22	16	17.4	17.6	4.7	6.1	8	23	23.5
J30J-25TJ / ZK-AD	29.8	24.5	18.6	20	20.2	4.7	6.1	8	23	23.5
J30J-31TJ / ZK-AD	33.6	28.3	22.4	23.8	24	4.7	6.1	8	23	23.5
J30J-37TJ / ZK-AD	37.4	32.2	26.3	27.7	27.8	4.7	6.1	8	23	23.5
J30J-51TJ / ZK-AD	36.4	30.86	25	26.5	26.6	5.8	7.2	9	23	23.5
J30J-66TJ / ZK-AD	42.9	37.3	31.4	32.9	33	5.8	7.2	9	23	23.5
J30J-74TJ / ZK-AD	38.8	33.5	27.5	29	29.1	6.8	8.3	11	25	25.5
J30J-100TJ / ZK-AD	54.7	45.7	35	36.6	36.8	6.8	8.2	11	25	25.5

J30J crimped expansion type \J30J-TJ-GA & J30J-ZK-GA

- plug
- J30J-9、15、21、25、31、37、51、66、74、100TJ-GA

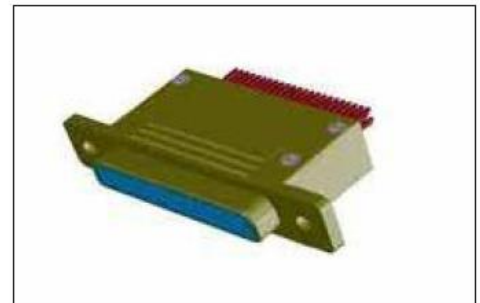
Product stereogram



J30J-9TJ-GA



J30J-51TJ-GA



J30J-100TJ-GA

- socket
- J30J-9、15、21、25、31、37、51、66、74、100ZK-GA

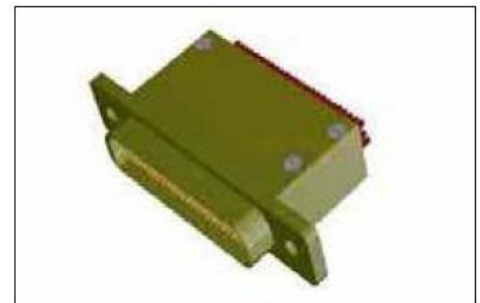
Product stereogram



J30J-9ZK-GA



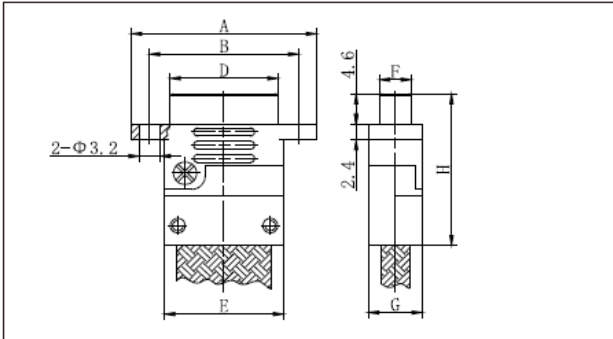
J30J-51ZK-GA



J30J-100ZK-GA

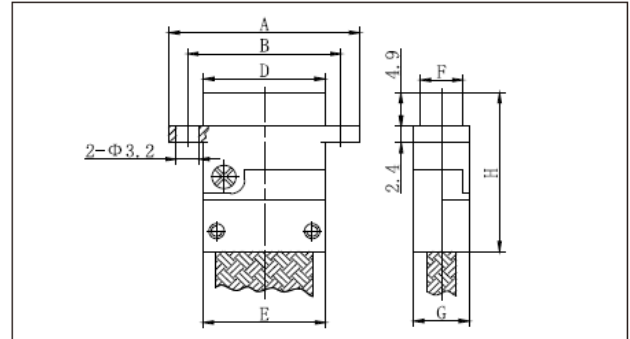
J30J Series miniature rectangular electrical connector

Product dimensions drawing



J30J-9~100TJ-GA

Product dimensions drawing



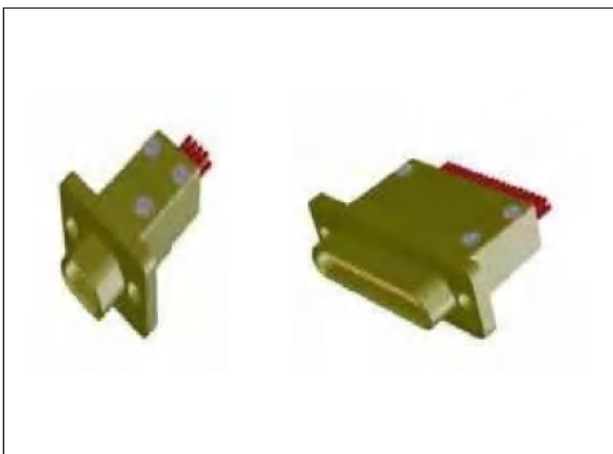
J30J-9~100ZK-GA

Order mark	A	B	D		E	F		G	H	
			TJ-GA	ZK-GA		TJ-GA	ZK-GA		TJ-GA	ZK-GA
J30J-9TJ / ZK-GA	19.6	14.3	8.3	9.8	9.9	4.7	6.1	8	23	23.5
J30J-15TJ / ZK-GA	23.5	18.2	12.3	13.7	13.8	4.7	6.1	8	23	23.5
J30J-21TJ / ZK-GA	27.4	22	16	17.4	17.6	4.7	6.1	8	23	23.5
J30J-25TJ / ZK-GA	29.8	24.5	18.6	20	20.2	4.7	6.1	8	23	23.5
J30J-31TJ / ZK-GA	33.6	28.3	22.4	23.8	24	4.7	6.1	8	23	23.5
J30J-37TJ / ZK-GA	37.4	32.2	26.3	27.7	27.8	4.7	6.1	8	23	23.5
J30J-51TJ / ZK-GA	36.4	30.86	25	26.5	26.6	5.8	7.2	9	23	23.5
J30J-66TJ / ZK-GA	42.9	37.3	31.4	32.9	33	5.8	7.2	9	23	23.5
J30J-74TJ / ZK-GA	38.8	33.5	27.5	29	29.1	6.8	8.3	11	25	25.5
J30J-100TJ / ZK-GA	54.7	45.7	35	36.6	36.8	6.8	8.2	11	25	25.5

J30J Crimp Expansion \J30J-ZK-GA (11.6)

- Socket fitting
- J30J-9、15、21、25、31、37ZK-GA (11.6)

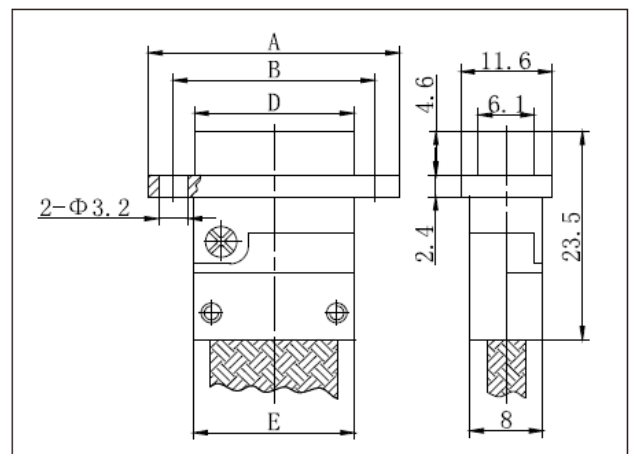
Product stereogram



J30J-9ZK-GA (11.6)

J30J-37ZK-GA (11.6)

Product dimensions drawing



J30J-9~37ZK-GA (11.6)

J30J Series miniature rectangular electrical connector

Order mark	A	B	D	E
J30J-9ZK-GA (11.6)	19.6	14.3	9.8	9.9
J30J-15ZK-GA (11.6)	23.5	18.2	13.7	13.8
J30J-21ZK-GA (11.6)	27.4	22	17.4	17.6
J30J-25ZK-GA (11.6)	29.8	24.5	20	20.2
J30J-31ZK-GA (11.6)	33.6	28.3	23.8	24
J30J-37ZK-GA (11.6)	37.4	32.2	27.7	27.8

J30J crimped expansion type \J30J-TJ-GQ&J30J-ZK-GQ

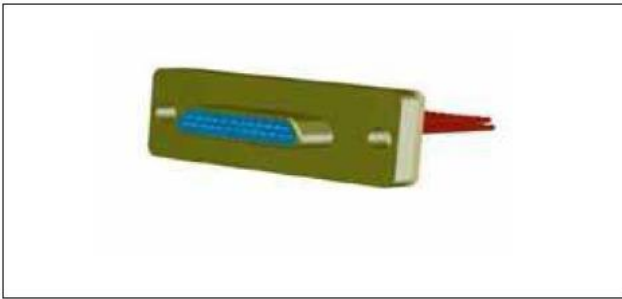
■ plug

■ J30J-9、15、21、25、31、37、51、66、74、100TJ-GQ

■ socket

■ J30J-9、15、21、25、31、37、51、66、74、100ZK-GQ

Product stereogram



J30J- □ TJ-GQ

Product stereogram



J30J- □ ZK-GQ

Description: The product is different from J30J-TJ/ZK-Q type products in shape because of the coating of the shell and the color difference, followed by the flange interface gasket material for conductive rubber gasket (J30J-TJ/ZK-Q is made of silicone rubber). The dimensions of the product and the opening size of the mounting plate are the same as that of the corresponding core number of J30J-TJ/ZK-Q products.

J30J Crimped Expansion Type \J30J-TJ (0.07) &J30J-ZK (0.07)

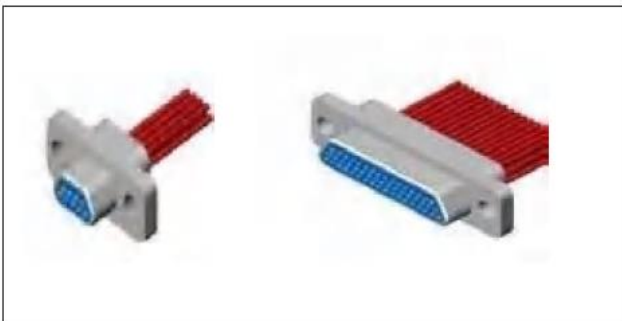
■ plug

■ J30J-9、15、21、25、31、37、51、66、74、100TJ (0.07)

■ socket

■ J30J-9、15、21、25、31、37、51、66、74、100ZK (0.07)

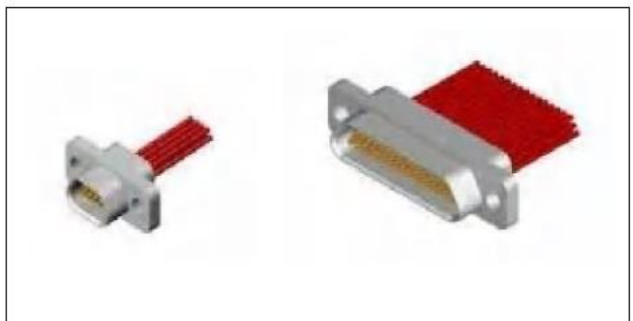
Product stereogram



J30J-9TJ (0.07)

J30J-51TJ (0.07)

Product stereogram



J30J-9ZK (0.07)

J30J-51ZK (0.07)

Description: The dimensions of the product are the same as the J30J-TJ/ZK basic model, the only difference is that the contact part of the product is crimped wire with a core cross-sectional area of 0.07mm².

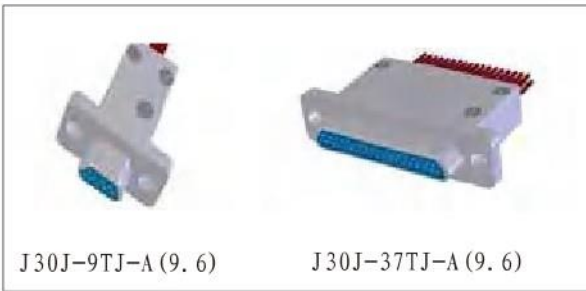
J30J Series miniature rectangular electrical connector

J30J Crimp Extension \J30J-TJ-A (9.6) & J30J-ZK-A (9.6)

- plug
- J30J-9、15、21、25、31、37TJ-A (9.6)

- socket
- J30J-9、15、21、25、31、37ZK-A (9.6)

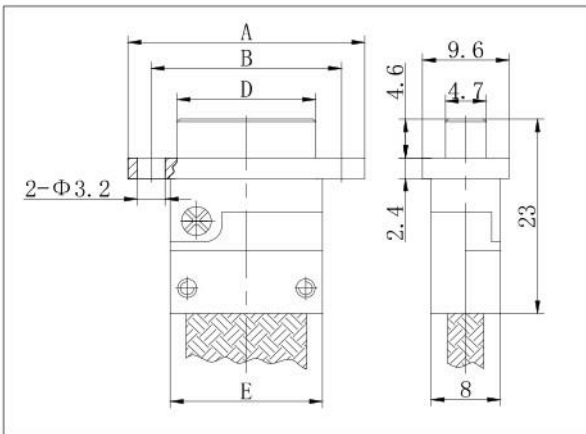
Product stereogram



Product stereogram

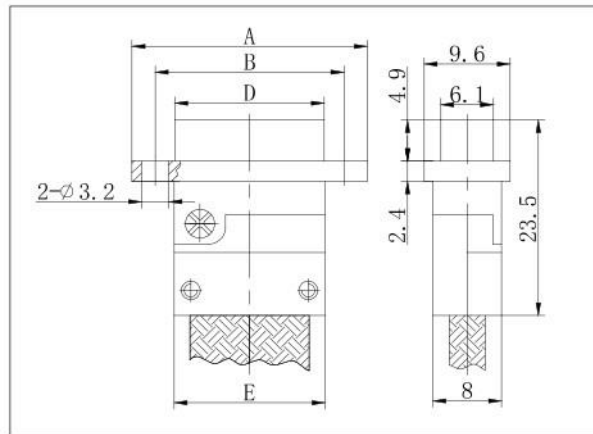


Product dimensions drawing



J30J-9~37TJ-A

Product dimensions drawing



(9.6)

Order mark	A	B	D		E
			TJ-A (9.6)	ZK-A (9.6)	
J30J-9TJ / ZK-A (9.6)	19.6	14.3	8.3	9.8	9.9
J30J-15TJ / ZK-A (9.6)	23.5	18.2	12.3	13.7	13.8
J30J-21TJ / ZK-A (9.6)	27.4	22	16	17.4	17.6
J30J-25TJ / ZK-A (9.6)	29.8	24.5	18.6	20	20.2
J30J-31TJ / ZK-A (9.6)	33.6	28.3	22.4	23.8	24
J30J-37TJ / ZK-A (9.6)	37.4	32.2	26.3	27.7	27.8

J30J Series miniature rectangular electrical connector

J30J crimped expansion type \J30J-TJ-AQ8 &J30J-ZK-AQ8

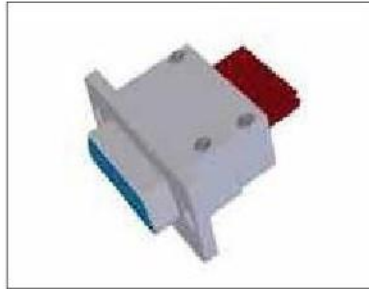
■ plug

■ J30J-9、15、21、25、31、37、51、74、100TJ-AQ8

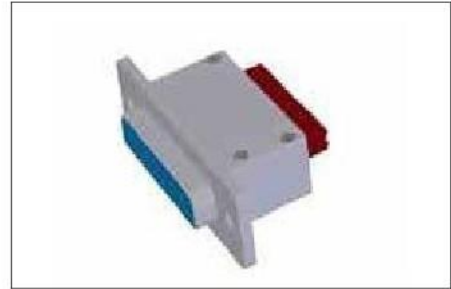
Product stereogram



J30J-9TJ-AQ8



J30J-51TJ-AQ8



J30J-100TJ-AQ8

■ socket

■ J30J-9、15、21、25、31、37、51、74、100ZK-AQ8

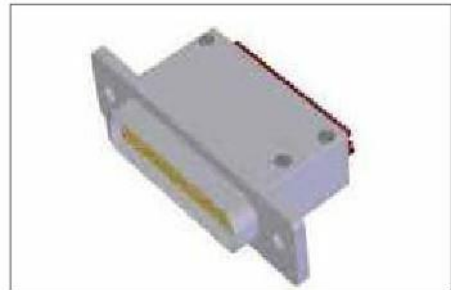
Product stereogram



J30J-9ZK-AQ8

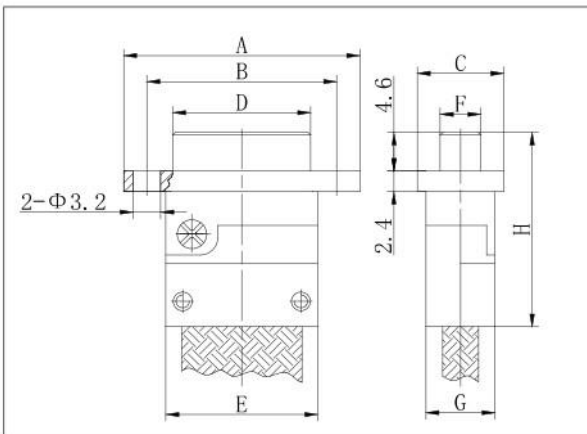


J30J-51ZK-AQ8



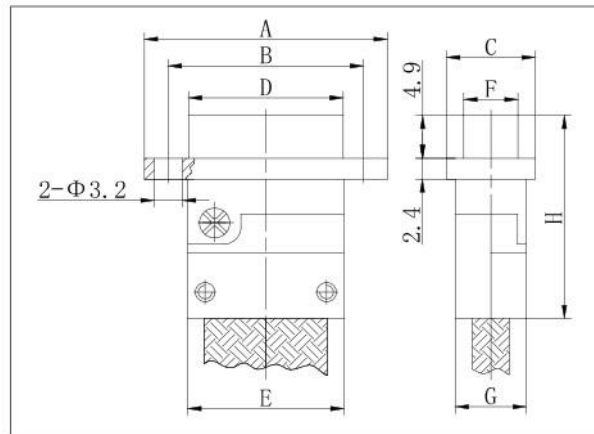
J30J-100ZK-AQ8

Product stereogram



J30J-9~100TJ-AQ8

Product stereogram



J30J-9~100ZK-AQ8

J30J Series miniature rectangular electrical connector

J30J crimped expansion type \J30J-TJ-AQ8 & J30J-ZK-AQ8

Order mark	A	B	C	D		E	F		G	H	
				TJ-AQ8	ZK-AQ8		TJ-AQ8	ZK-AQ8		TJ-AQ8	ZK-AQ8
J30J-9TJ / ZK-AQ8	21.4	16.1	11.6	8.3	9.8	9.9	4.7	6.1	8	23	23.5
J30J-15TJ / ZK-AQ8	25.3	20	11.6	12.3	13.7	13.8	4.7	6.1	8	23	23.5
J30J-21TJ / ZK-AQ8	29.2	23.8	11.6	16	17.4	17.6	4.7	6.1	8	23	23.5
J30J-25TJ / ZK-AQ8	31.6	26.3	11.6	18.6	20	20.2	4.7	6.1	8	23	23.5
J30J-31TJ / ZK-AQ8	35.4	30.1	11.6	22.4	23.8	24	4.7	6.1	8	23	23.5
J30J-37TJ / ZK-AQ8	39.2	34	11.6	26.3	27.7	27.8	4.7	6.1	8	23	23.5
J30J-51TJ / ZK-AQ8	38.2	32.6	12.6	25	26.5	26.6	5.8	7.2	9	23	23.5
J30J-74TJ / ZK-AQ8	40.6	35.3	13.8	27.5	29	29.1	6.8	8.3	11	25	25.5
J30J-100TJ / ZK-AQ8	56.5	47.5	13.8	35	36.6	36.8	6.8	8.2	11	25	25.5

J30J Crimp Extension \J30J-ZK-AD (11.6)

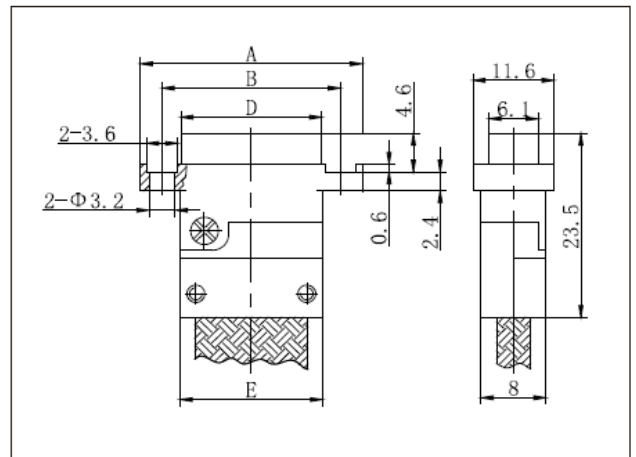
- socket
- J30J-9、15、21、25、31、37ZK-AD (11.6)

Product stereogram



J30J-9ZK-AD (11.6) J30J-37ZK-AD (11.6)

Product dimensions drawing



J30J-9~37ZK-AD (11.6)

Order mark	A	B	D	E
J30J-9ZK-AD (11.6)	19.6	14.3	9.8	9.9
J30J-15ZK-AD (11.6)	23.5	18.2	13.7	13.8
J30J-21ZK-AD (11.6)	27.4	22	17.4	17.6
J30J-25 ZK-AD (11.6)	29.8	24.5	20	20.2
J30J-31ZK-AD (11.6)	33.6	28.3	23.8	24
J30J-37 ZK-AD (11.6)	37.4	32.2	27.7	27.8

J30J Series miniature rectangular electrical connector

J30J crimped expansion type \J30J-TJ-GAQ&J30J-ZK-GAQ

■ plug

■ J30J-9、15、21、25、31、37、51、66、74、100TJ-GAQ

Product stereogram



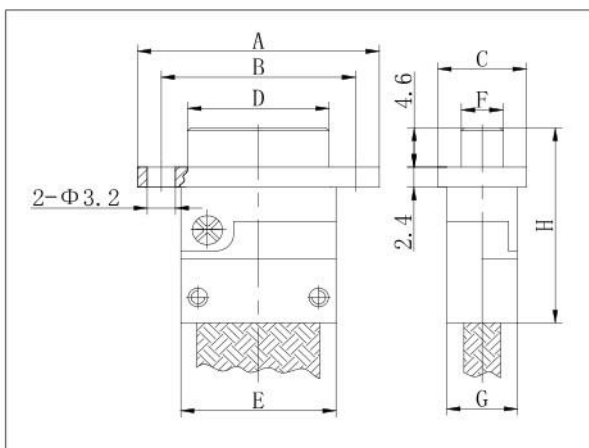
■ socket

■ J30J-9、15、21、25、31、37、51、66、74、100ZK-GAQ

Product stereogram

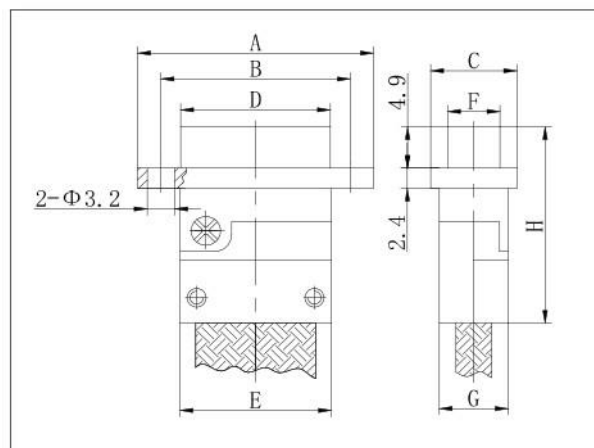


Product dimensions drawing



J30J-9~100TJ-GAQ

Product dimensions drawing



J30J-9~100ZK-GAQ

J30J Series miniature rectangular electrical connector

Order mark	A	B	C	D		E	F		G	H	
				TJ-GAQ	ZK-GAQ		TJ-GAQ	ZK-GAQ		TJ-GAQ	ZK-GAQ
J30J-9TJ / ZK-GAQ	26	21	14	8.3	9.8	9.9	4.7	6.1	8	23	23.5
J30J-15TJ / ZK-GAQ	29.9	24.9	14	12.3	13.7	13.8	4.7	6.1	8	23	23.5
J30J-21TJ / ZK-GAQ	33.8	28.7	14	16	17.4	17.6	4.7	6.1	8	23	23.5
J30J-25TJ / ZK-GAQ	36.2	31.2	14	18.6	20	20.2	4.7	6.1	8	23	23.5
J30J-31TJ / ZK-GAQ	40	35	14	22.4	23.8	24	4.7	6.1	8	23	23.5
J30J-37TJ / ZK-GAQ	43.8	38.9	14	26.3	27.7	27.8	4.7	6.1	8	23	23.5
J30J-51TJ / ZK-GAQ	42.6	37.6	15.2	25	26.5	26.6	5.8	7.2	9	23	23.5
J30J-66TJ / ZK-GAQ	49.3	44	15.2	31.4	32.9	33	5.8	7.2	9	23	23.5
J30J-74TJ / ZK-GAQ	45.2	40.2	16.1	27.5	29	29.1	6.8	8.3	11	25	25.5
J30J-100TJ / ZK-GAQ	61.1	52.4	16.1	35	36.6	36.8	6.8	8.2	11	25	25.5

J30J plug-in printed board basic type \J30J in-line printed board N type

The contact end is connected to the printed board in a straight insert mode, and the mesh size is 2.54 × 2.54.

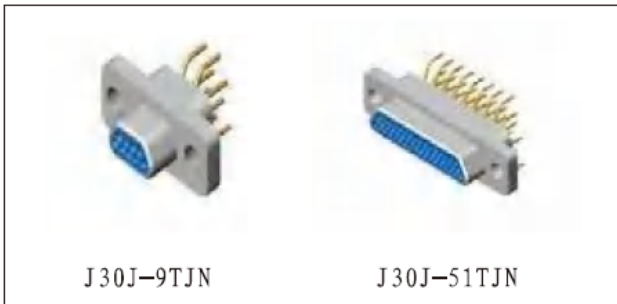
■ plug

■ J30J-9、15、21、25、31、37、51、66TJN

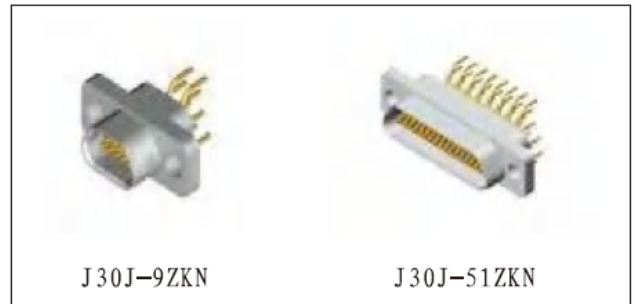
■ socket

■ J30J-9、15、21、25、31、37、51、66ZKN

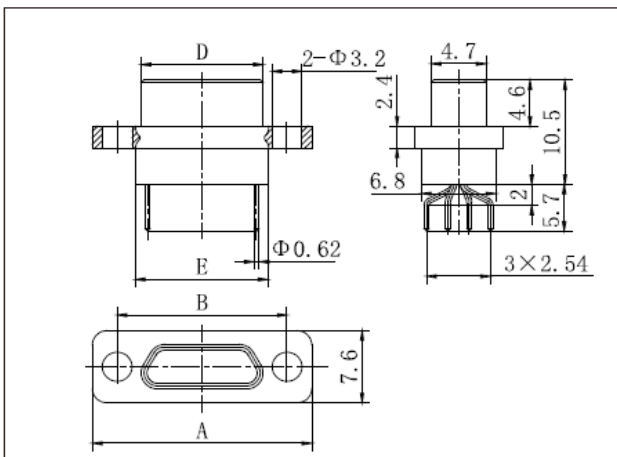
Product stereogram



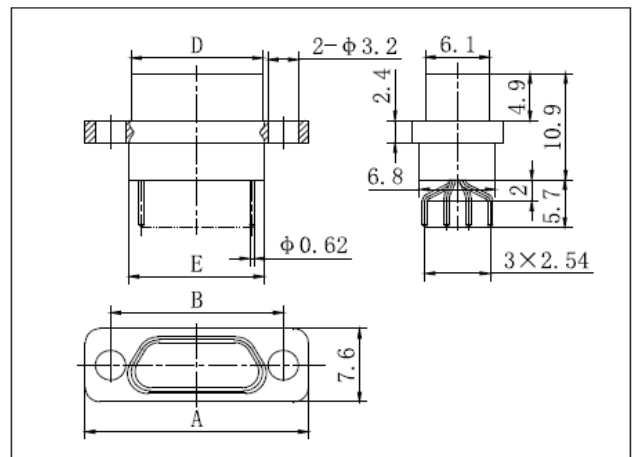
Product stereogram



Product dimensions drawing

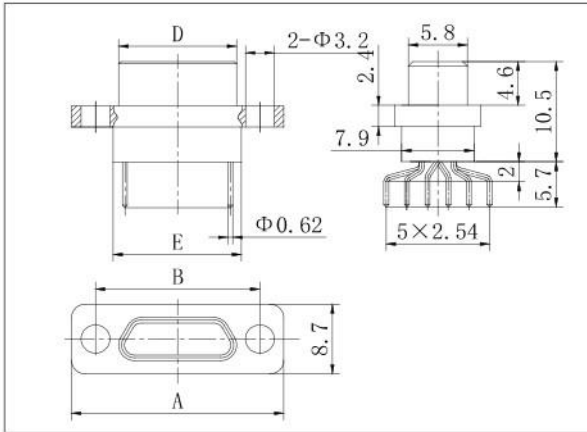


Product dimensions drawing



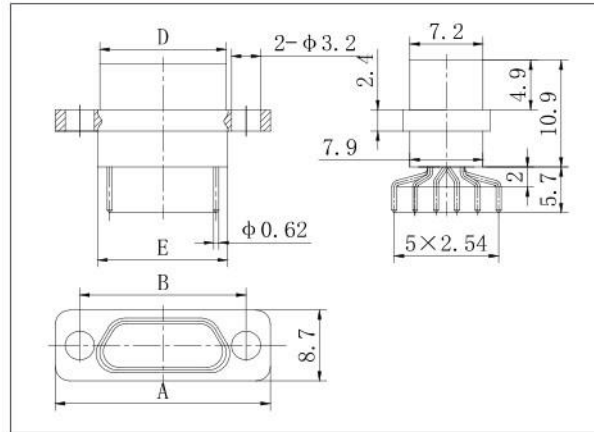
J30J Series miniature rectangular electrical connector

Product dimensions drawing



J30J-51、66TJN

Product dimensions drawing



J30J-51、66ZKN

Order mark	A	B	D		E
J30J-9TJN / ZKN	19.6	14.3	8.3 (TJN)	9.8 (ZKN)	9.9
J30J-15TJN / ZKN	23.5	18.2	12.3 (TJN)	13.7 (ZKN)	13.8
J30J-21TJN / ZKN	27.4	22	16 (TJN)	17.4 (ZKN)	17.6
J30J-25TJN / ZKN	29.8	24.5	18.6 (TJN)	20 (ZKN)	20.2
J30J-31TJN / ZKN	33.6	28.3	22.4 (TJN)	23.8 (ZKN)	24
J30J-37TJN / ZKN	37.4	32.2	26.3 (TJN)	27.7 (ZKN)	27.8
J30J-51TJN / ZKN	36.4	30.86	25 (TJN)	26.5 (ZKN)	26.6
J30J-66TJN / ZKN	42.9	37.3	31.4 (TJN)	32.9 (ZKN)	33

J30J Series miniature rectangular electrical connector

J30J plug-in printed board basic type \J30J live printed board N-J type

The connection mode between the end of the contact and the printed board is in-line, and the mesh size is 1.27×2.54 (column × row).

- plug
- J30J-9、15、21、25、31、37、51、66、74、100TJN-J

Product stereogram



J30J-9TJN-J



J30J-51TJN-J



J30J-100TJN-J

- socket
- J30J-9、15、21、25、31、37、51、66、74、100ZKN-J

Product stereogram



J30J-9ZKN-J

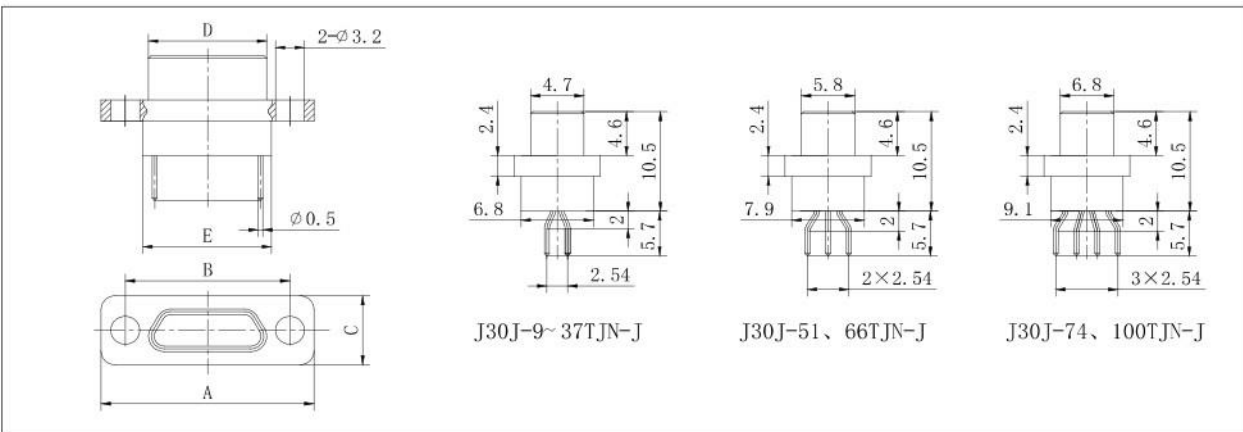


J30J-51ZKN-J



J30J-100ZKN-J

Product dimensions drawing

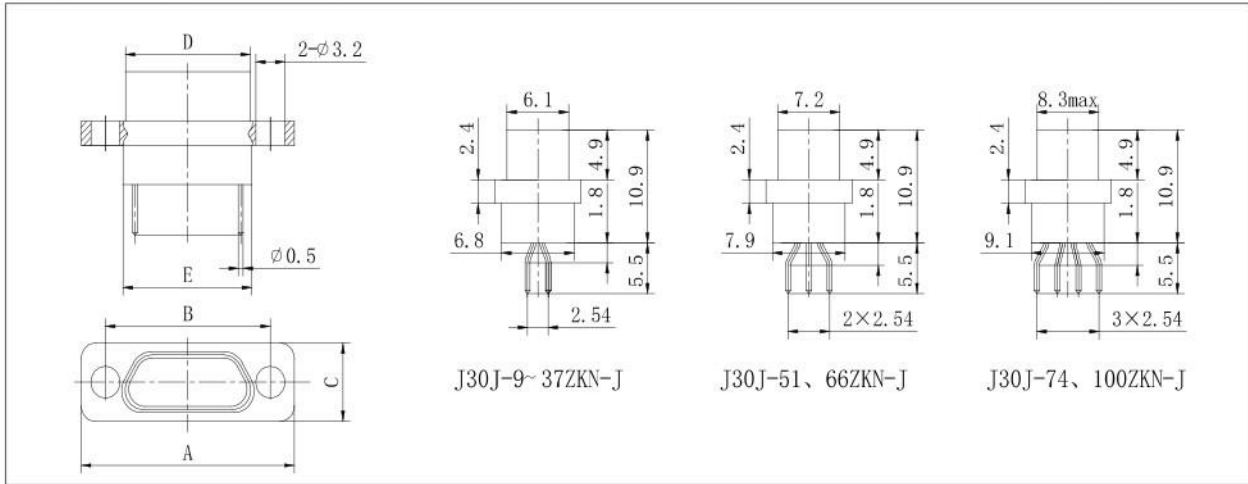


J30J-9~100TJN-J

Left view of each number of plugs

J30J Series miniature rectangular electrical connector

Product dimensions drawing



J30J-9 ~ 100ZKN-J

Left view of each socket fitting

Order mark	A	B	C	D		E
J30J-9TJN/ZKN-J	19.6	14.3	7.6	8.3 (TJN-J)	9.8 (ZKN-J)	9.9
J30J-15TJN/ZKN-J	23.5	18.2	7.6	12.3 (TJN-J)	13.7 (ZKN-J)	13.8
J30J-21TJN/ZKN-J	27.4	22	7.6	16 (TJN-J)	17.4 (ZKN-J)	17.6
J30J-25TJN/ZKN-J	29.8	24.5	7.6	18.6 (TJN-J)	20 (ZKN-J)	20.2
J30J-31TJN/ZKN-J	33.6	28.3	7.6	22.4 (TJN-J)	23.8 (ZKN-J)	24
J30J-37TJN/ZKN-J	37.4	32.2	7.6	26.3 (TJN-J)	27.7 (ZKN-J)	27.8
J30J-51TJN/ZKN-J	36.4	30.86	8.7	25 (TJN-J)	26.5 (ZKN-J)	26.6
J30J-66TJN/ZKN-J	42.9	37.3	8.7	31.4 (TJN-J)	32.9 (ZKN-J)	33
J30J-74TJN/ZKN-J	38.8	33.5	9.7	27.5 (TJN-J)	29 (ZKN-J)	29.1
J30J-100TJN/ZKN-J	54.7	45.7	9.7	35 (TJN-J)	36.6 (ZKN-J)	36.6

J30J Series miniature rectangular electrical connector

J30J plug-in printed board basic type \J30J curved insert printed board W type

The connection mode between the end of the contact piece and the printed board is bent and inserted, and the mesh size is 2.54 × 2.54.

■ plug

■ socket

■ J30J-9、15、21、25、31、37、51、66TJW

■ J30J-9、15、21、25、31、37、51、66ZKW

Product stereogram



J30J-9TJW



J30J-51TJW

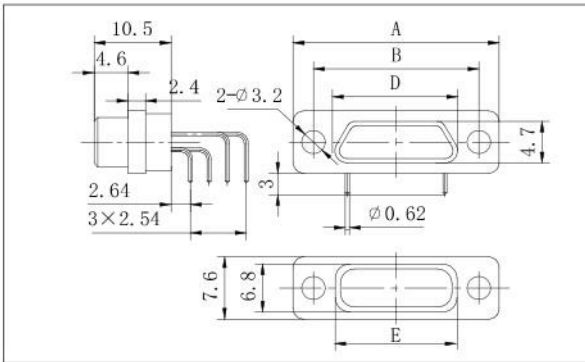


J30J-9ZKW



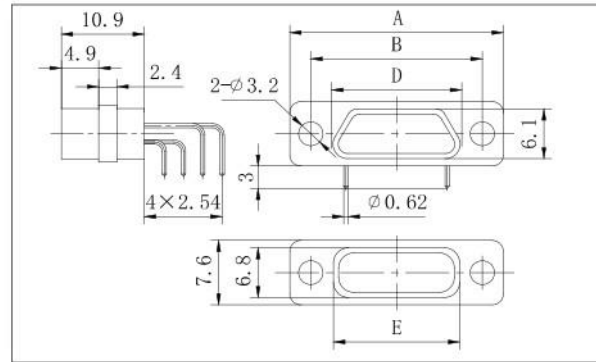
J30J-51ZKW

Product dimensions drawing

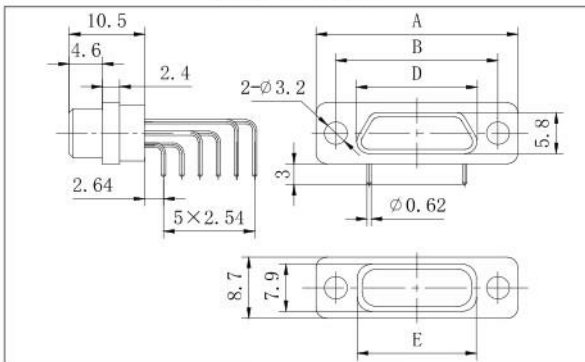


J30J-9~37TJW

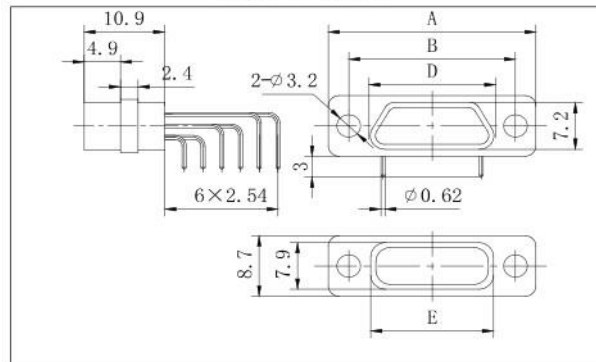
Product dimensions drawing



J30J-9~37ZKW



J30J-51、66TJW



J30J-51、66ZKW

Order mark	A	B	D		E
J30J-9TJW/ZKW	19.6	14.3	8.3 (TJW)	9.8 (ZKW)	9.9
J30J-15TJW/ZKW	23.5	18.2	12.3 (TJW)	13.7 (ZKW)	13.8
J30J-21TJW/ZKW	27.4	22	16 (TJW)	17.4 (ZKW)	17.6
J30J-25TJW/ZKW	29.8	24.5	18.6 (TJW)	20 (ZKW)	20.2
J30J-31TJW/ZKW	33.6	28.3	22.4 (TJW)	23.8 (ZKW)	24
J30J-37TJW/ZKW	37.4	32.2	26.3 (TJW)	27.7 (ZKW)	27.8
J30J-51TJW/ZKW	36.4	30.86	25 (TJW)	26.5 (ZKW)	26.6
J30J-66TJW/ZKW	42.9	37.3	31.4 (TJW)	32.9 (ZKW)	33

J30J Series miniature rectangular electrical connector

J30J plug-in printed board basic type \J30J curved insert printed board W-J type

The connection mode between the end of the contact part and the printed board is bent and inserted, and the mesh size is 1.27×2.54 (column × row).

■ plug

■ J30J-9、15、21、25、31、37、51、66、74、100TJW-J

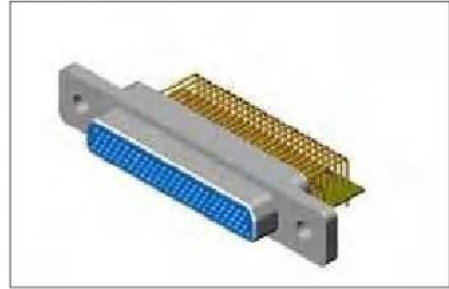
Product stereogram



J30J-9TJW-J



J30J-51TJW-J



J30J-100TJW-J

■ socket

■ J30J-9、15、21、25、31、37、51、66、74、100ZKW-J

Product stereogram



J30J-9ZKW-J

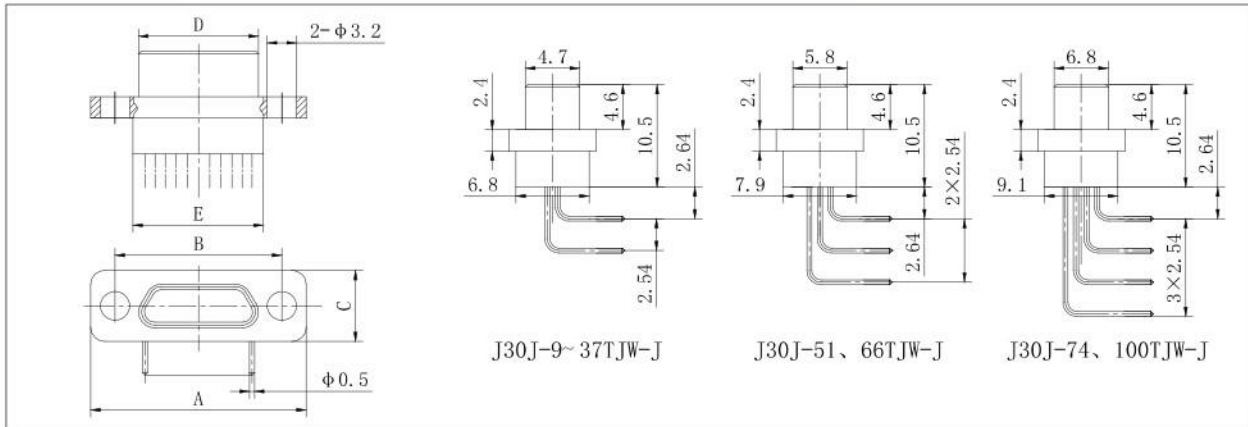


J30J-51ZKW-J



J30J-100ZKW-J

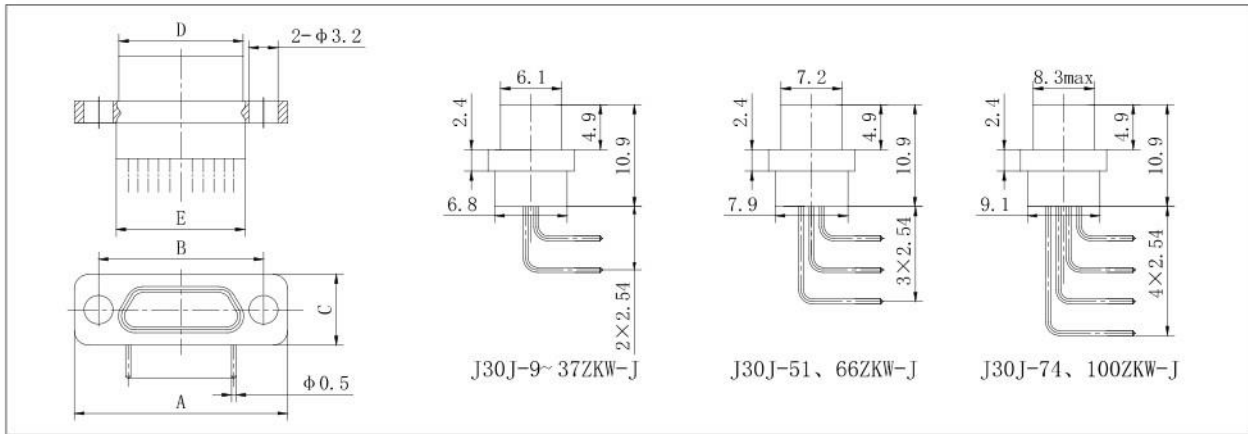
Product dimensions drawing



J30J-9~100TJW-J

Left view of each number of plugs

J30J Series miniature rectangular electrical connector



J30J-9~100ZKW-J

Left view of each socket fitting

Order mark	A	B	C	D		E
J30J-9TJW/ZKW-J	19.6	14.3	7.6	8.3 (TJW-J)	9.8 (ZKW-J)	9.9
J30J-15TJW/ZKW-J	23.5	18.2	7.6	12.3 (TJW-J)	13.7 (ZKW-J)	13.8
J30J-21TJW/ZKW-J	27.4	22	7.6	16 (TJW-J)	17.4 (ZKW-J)	17.6
J30J-25TJW/ZKW-J	29.8	24.5	7.6	18.6 (TJW-J)	20 (ZKW-J)	20.2
J30J-31TJW/ZKW-J	33.6	28.3	7.6	22.4 (TJW-J)	23.8 (ZKW-J)	24
J30J-37TJW/ZKW-J	37.4	32.2	7.6	26.3 (TJW-J)	27.7 (ZKW-J)	27.8
J30J-51TJW/ZKW-J	36.4	30.86	8.7	25 (TJW-J)	26.5 (ZKW-J)	26.6
J30J-66TJW/ZKW-J	42.9	37.3	8.7	31.4 (TJW-J)	32.9 (ZKW-J)	33
J30J-74TJW/ZKW-J	38.8	33.5	9.7	27.5 (TJW-J)	29 (ZKW-J)	29.1
J30J-100TJW/ZKW-J	54.7	45.7	9.7	35 (TJW-J)	36.6 (ZKW-J)	36.6

J30J Series miniature rectangular electrical connector

J30J live printed board extension \J30J-TJN4&J30J-TJN8

Plug assembly J30J-9, 15, 21, 25, 31, 37, 51TJN4

The pin length at the end of the product is extended to 7.2 based on the J30J-TJN.

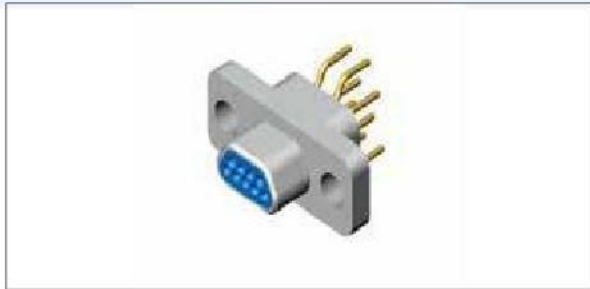
Connector J30J-9, 15, 21, 25, 31, 37TJN8

The pin length at the end of the product is extended to 8 based on the J30J-TJN.

Product stereogram

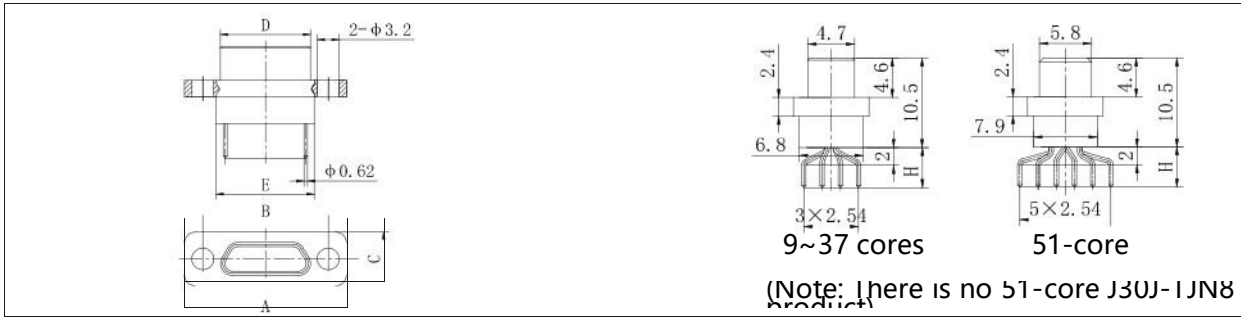


J30J-51TJN4



J30J-9TJN8

Product stereogram



J30J-9~51TJN4/J30J-9~37TJN8

Left view of each number of plugs

Plug fitting	A	B	C	D	E	H	
						TJN4	TJN8
J30J-9TJN 4/ TJN8	19.6	14.3	7.6	8.3	9.9	7.2	8
J30J-15TJN 4/ TJN8	23.5	18.2	7.6	12.3	13.8	7.2	8
J30J-21TJN 4/ TJN8	27.4	22	7.6	16	17.6	7.2	8
J30J-25TJN 4/ TJN8	29.8	24.5	7.6	18.6	20.2	7.2	8
J30J-31TJN4 / TJN8	33.6	28.3	7.6	22.4	24	7.2	8
J30J-37TJN 4/ TJN8	37.4	32.2	7.6	26.3	27.8	7.2	8
J30J-51TJN 4	36.4	30.86	8.7	25	26.6	7.2	

J30J Series miniature rectangular electrical connector

J30J plug-in printed board extension VJ30J-ZKN3&J30J-ZKN4

Socket assembly J30J-9, 15, 21, 25, 31, 37, 51ZKN3 The pin length at the end of the product is extended to 6.7 on the basis of J30J-ZKN

Socket assembly J30J-9, 15, 21, 25, 31, 37, 51ZKN4 The pin length at the end of the product is extended to 7.2 on the basis of J30J-ZKN

Product stereogram

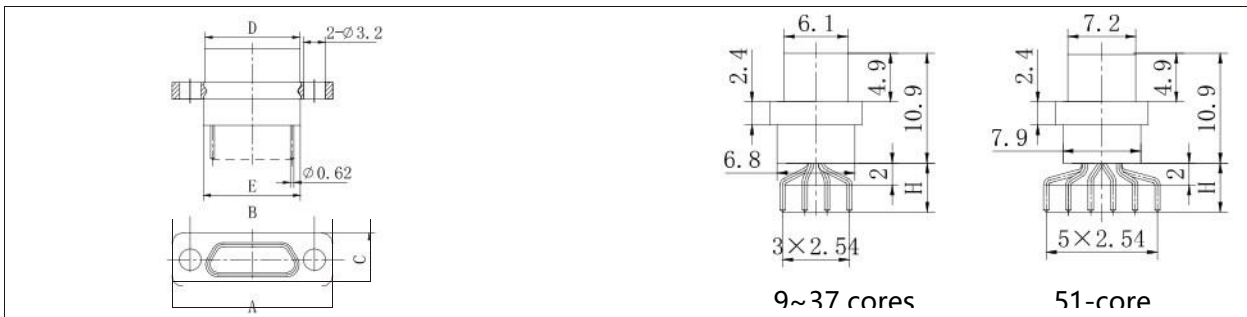


J30J-9ZKN3/J30J-9ZKN4



J30J-51ZKN3/J30J-51ZKN4

Product dimensions drawing



J30J-9~51ZKN3/J30J-9~51ZKN4

9~37 cores

51-core

Each core number socket fitting left view

Order mark	A	B	C	D	E	H	
J30J-9ZKN3 / ZKN4	19.6	14.3	7.6	8.3	9.9	ZKN3	ZKN4
J30J-15ZKN3 / ZKN4	23.5	18.2	7.6	12.3	13.8	6.7	7.2
J30J-21ZKN3 / ZKN4	27.4	22	7.6	16	17.6	6.7	7.2
J30J-25ZKN3 / ZKN4	29.8	24.5	7.6	18.6	20.2	6.7	7.2
J30J-31ZKN3 / ZKN4	33.6	28.3	7.6	22.4	24	6.7	7.2
J30J-37ZKN3 / ZKN4	37.4	32.2	7.6	26.3	27.8	6.7	7.2
J30J-51ZKN3 / ZKN4	36.4	30.86	8.7	25	26.6	6.7	7.2

J30J Series miniature rectangular electrical connector

J30J plug-in printed board expansion type VJ30J-ZKN4-J

The pin length at the end of the product is extended to 7.2 based on the J30J-ZKN-J.

- socket
- J30J-9、15、21、25、31、37、51、66、74、100ZKN4-J

Product stereogram



J30J-9ZKN4-J

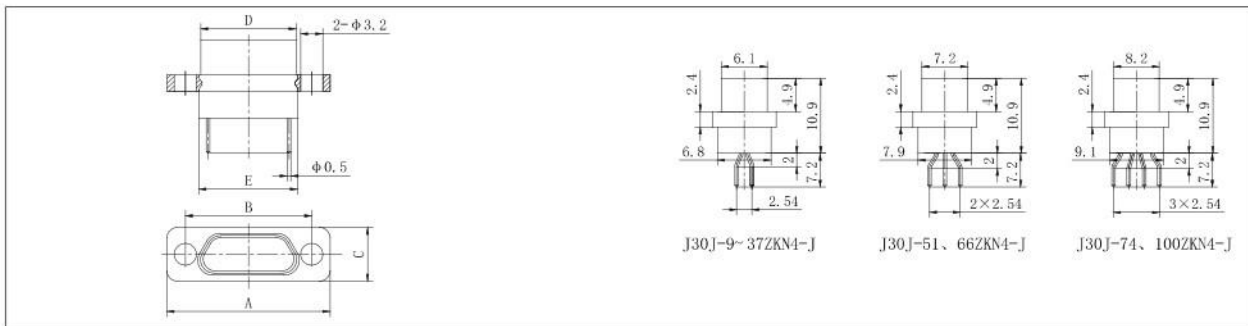


J30J-51ZKN4-J



J30J-100ZKN4-J

Product dimensions drawing



J30J-9~100ZKN4-J

Each core number socket fitting left view

Order mark	A	B	C	D	E
J30J-9ZKN4-J	19.6	14.3	7.6	9.8	9.9
J30J-15ZKN4-J	23.5	18.2	7.6	13.7	13.8
J30J-21ZKN4-J	27.4	22	7.6	17.4	17.6
J30J-25ZKN4-J	29.8	24.5	7.6	20	20.2
J30J-31ZKN4-J	33.6	28.3	7.6	23.8	24
J30J-37ZKN4-J	37.4	32.2	7.6	27.7	27.8
J30J-51ZKN4-J	36.4	30.86	8.7	26.5	26.6
J30J-66ZKN4-J	42.9	37.3	8.7	32.9	33
J30J-74ZKN4-J	38.8	33.5	9.7	29	29.1
J30J-100ZKN4-J	54.7	45.7	9.7	36.6	36.6

J30J Series miniature rectangular electrical connector

J30J plug-in printed board extension VJ30J-TJW-Q8&J30J-ZKW-Q8

The connection mode between the end of the contact piece and the printed board is bent and inserted, and the mesh size is 2.54 × 2.54.

■ plug

■ socket

■ J30J-9、15、21、25、31、37、51TJW-Q8

■ J30J-9、15、21、25、31、37、51ZKW-Q8

Product stereogram



J30J-9TJW-Q8



J30J-51TJW-Q8

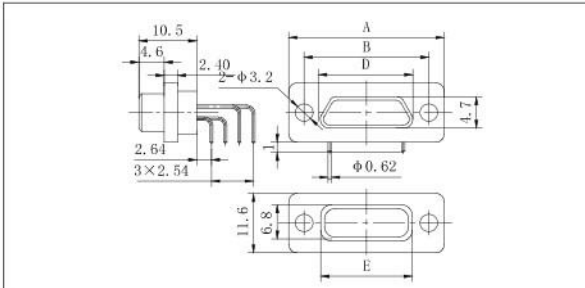


J30J-9ZKW-Q8

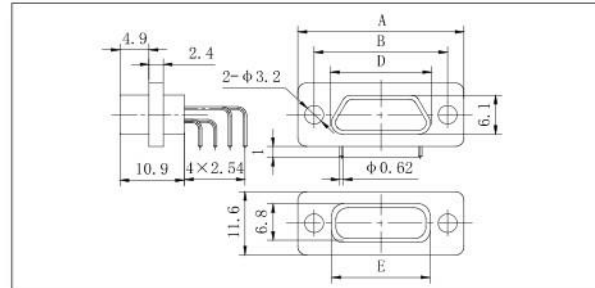


J30J-51ZKW-Q8

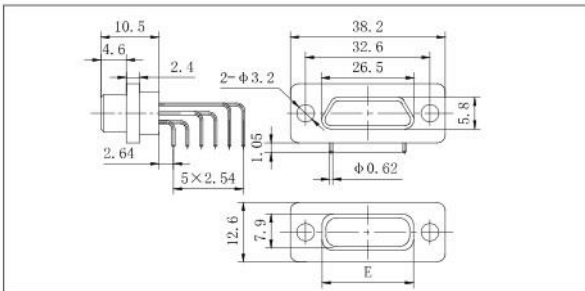
Product dimensions drawing



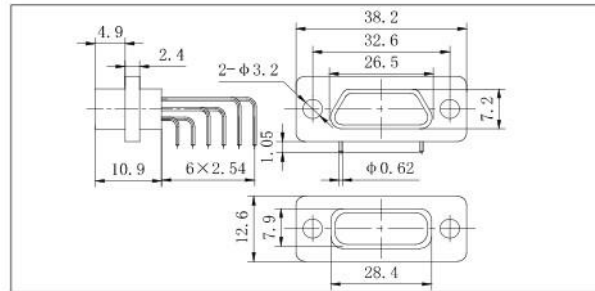
J30J-9~37TJW-Q8



J30J-9~37ZKW-Q8



J30J-51TJW-Q8



J30J-51ZKW-Q8

Order mark	A	B	D		E
J30J-9TJW / ZKW-Q8	21.4	16.1	8.3 (TJW-Q8)	9.8 (ZKW-Q8)	11.7
J30J-15TJW / ZKW-Q8	25.3	20	12.3 (TJW-Q8)	13.7 (ZKW-Q8)	15.6
J30J-21TJW / ZKW-Q8	29.2	23.8	16 (TJW-Q8)	17.4 (ZKW-Q8)	19.4
J30J-25TJW / ZKW-Q8	31.6	26.3	18.6 (TJW-Q8)	20 (ZKW-Q8)	22
J30J-31TJW / ZKW-Q8	35.4	30.1	22.4 (TJW-Q8)	23.8 (ZKW-Q8)	25.8
J30J-37TJW / ZKW-Q8	39.2	34	26.3 (TJW-Q8)	27.7 (ZKW-Q8)	29.6
J30J-51TJW / ZKW-Q8	See overall dimensions drawing				

J30J Series miniature rectangular electrical connector

J30J welding basic type \J30J-TJS & J30J-ZKS

Basic welding products with tail end arrangement spacing of 1.27 × 1.1 (column × row).

- plug
- J30J-9、15、21、25、31、37、51、66、74、100TJS

Product stereogram



J30J-9TJS



J30J-51TJS



J30J-100TJS

- socket
- J30J-9、15、21、25、31、37、51、66、74、100ZKS

Product stereogram



J30J-9ZKS



J30J-51ZKS



J30J-100ZKS

Note: In order to facilitate the observation view, the A3 type wire clamp fitting with the plug (seat) fitting is not drawn in the above stereogram. In fact, all J30J-TJS/ZKS welded plug (seat) assemblies are fitted with A3 wire clamps by default, so the complete three-dimensional diagram should be shown below (in the case of the J30J-25ZKS, the cable clamps of the other models of plug/seat assemblies are fitted to the plug or socket assembly in this way).



Stereoscopic view from the butt end

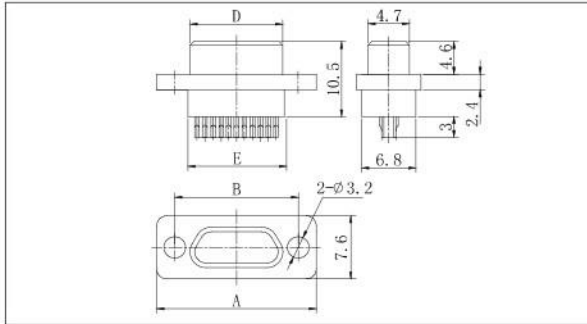


Stereogram from the end of the clamp

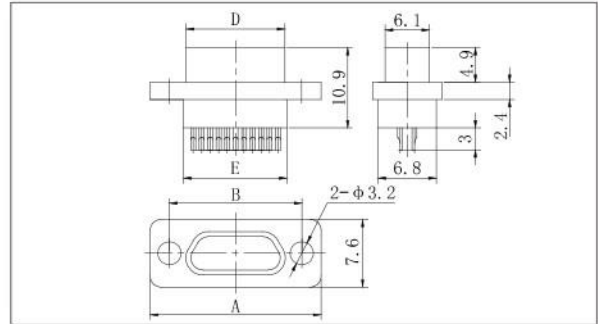
J30J Series miniature rectangular electrical connector

J30J welding basic type \ J30J-TJs&J30J-ZKS

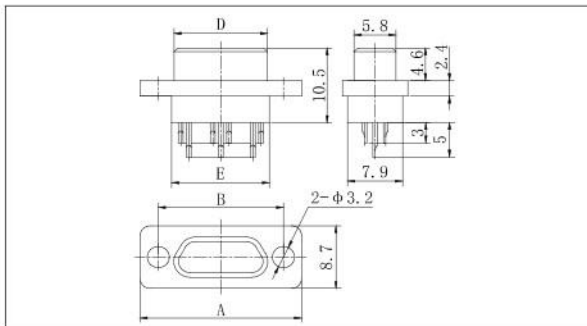
Product dimensions drawing



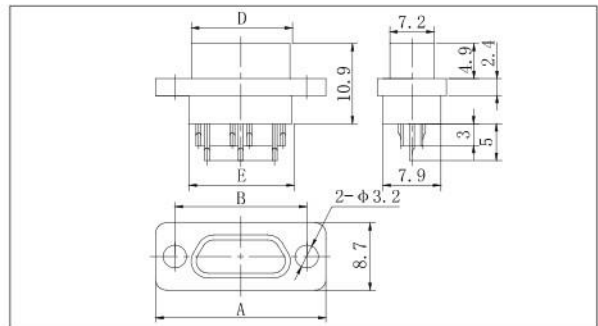
J30J-9~37TJS



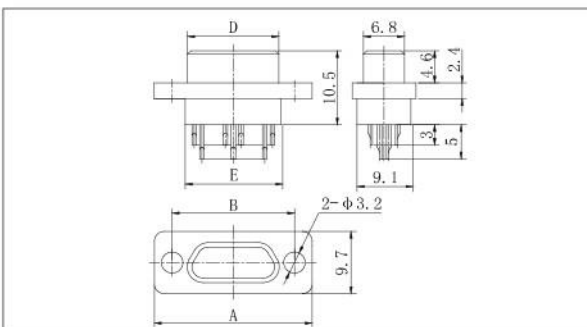
J30J-9~37ZKS



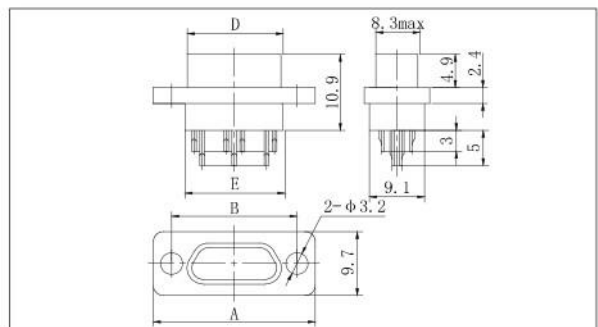
J30J-51, 66TJS



J30J-51, 66ZKS



J30J-74, 100TJS

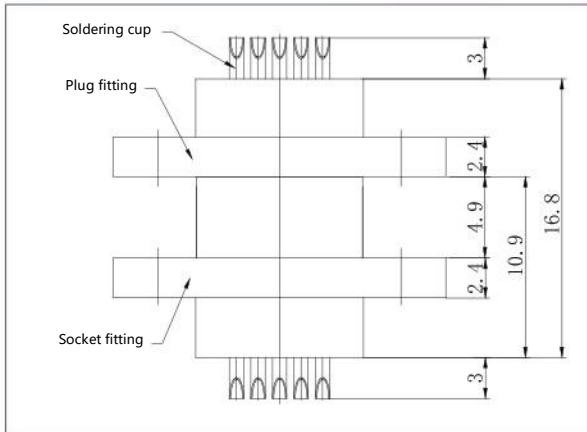


J30J-74, 100ZKS

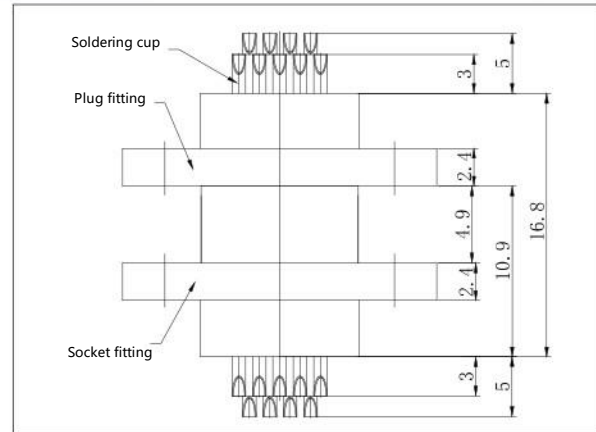
Order mark	A	B	D		E
J30J-9TJS/ZKS	19.6	14.3	8.3 (TJS)	9.8 (ZKS)	9.9
J30J-15TJS/ZKS	23.5	18.2	12.3 (TJS)	13.7 (ZKS)	13.8
J30J-21TJS/ZKS	27.4	22	16 (TJS)	17.4 (ZKS)	17.6
J30J-25TJS/ZKS	29.8	24.5	18.6 (TJS)	20 (ZKS)	20.2
J30J-31TJS/ZKS	33.6	28.3	22.4 (TJS)	23.8 (ZKS)	24
J30J-37TJS/ZKS	37.4	32.2	26.3 (TJS)	27.7 (ZKS)	27.8
J30J-51TJS/ZKS	36.4	30.86	25 (TJS)	26.5 (ZKS)	26.6
J30J-66TJS/ZKS	42.9	37.3	31.4 (TJS)	32.9 (ZKS)	33
J30J-74TJS/ZKS	38.8	33.5	27.5 (TJS)	29 (ZKS)	29.1
J30J-100TJS/ZKS	54.7	45.7	35 (TJS)	36.6 (ZKS)	36.6

J30J Series miniature rectangular electrical connector

Product appearance after docking (not included in the size of A3 wire clamp)

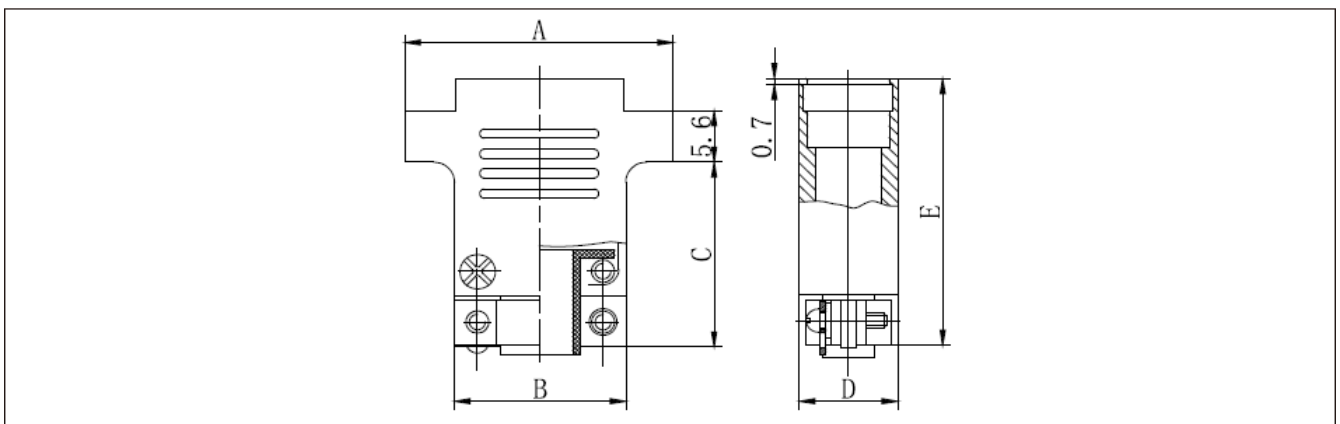


J30J-9~37 cores



J30J-51~100 cores

Dimensions of type A3 wire clamp



spectrum	A	B	C	D	E	spectrum	A	B	C	D	E
9core	19.6	9.9	18.2	10.4	27	37core	37.4	27.8	19.2	10.4	28
15core	23.5	13.8	18.2	10.4	27	51core	36.4	26.6	21.2	11.2	30
21core	27.4	17.6	19.2	10.4	28	66core	42.9	33	21.2	11.2	30
25core	29.8	20.2	19.2	10.4	28	74core	38.8	29.1	21.2	12	30
31core	33.6	24	19.2	10.4	28	100core	54.7	40.7	21.2	12	30

J30J Series miniature rectangular electrical connector

J30JC Crimped expansion type \J30JC-TJ &J30JC-ZK

- Plug J30JC-9, 15, 21, 25, 31, 37, 51, 66, 74, 100TJ
- Socket J30JC-9, 15, 21, 25, 31, 37, 51, 66, 74, 100ZK

Instructions: J30JC-TJ/ZK product is compared with the crimp basic J30J-TJ/ZK, only its shell material is changed to tin-phosphor bronze and nickel-plated surface. All the other states, such as dimensions, wire requirements, installation openings, installation methods, etc. are the same as J30J-TJ/ZK, so only the model is listed in the sample, and other instructions are omitted. Refer to J30J-TJ/ZK for all matters

J30JC Crimped expansion type \J30JC-ZK-Q

- Socket J30JC-9, 15, 21, 25, 31, 37, 51, 66, 74, 100ZK-Q

Description: J30JC-ZK-Q is compared with the crimp basic J30J-ZK-Q, only its shell material is changed to tin-phosphor bronze and nickel plated on the surface, and all other states, such as dimensions, wire requirements, installation holes, installation methods, etc. are the same as J30J-ZK-Q, so only the model is listed in the sample, and the rest of the instructions are omitted. Refer to J30J-ZK-Q for all matters

J30JC plug-in printed board extension \J30JC-ZKW-Q

- Socket J30JC-9, 15, 21, 25, 31, 37, 51, 66, 74, 100ZKW-Q

Product stereogram



J30JC-9ZKW-Q



J30JC-31ZKW-Q

Description: J30JC-ZKW-Q product is based on the basic type of crimping J30J-ZK-Q, the contact part is changed from crimping type to bending insert printed board form, and the arrangement of pins is exactly the same as that of J30J-ZKW. All matters can be found at J30J-ZK-Q.

J30JA Quick lock crimping type \J30JA-TJ &J30JA-ZK

plug

- J30JA-9, 15, 21, 25, 31, 37, 51, 66, 74, 100, 144TJ

Product stereogram



J30JA-9TJ



J30JA-31TJ



J30JA-100TJ

- J30JA-9, 15, 21, 25, 31, 37, 51, 66, 74, 100, 144ZK

Product stereogram



J30JA-9ZK



J30JA-31ZK



J30JA-100ZK

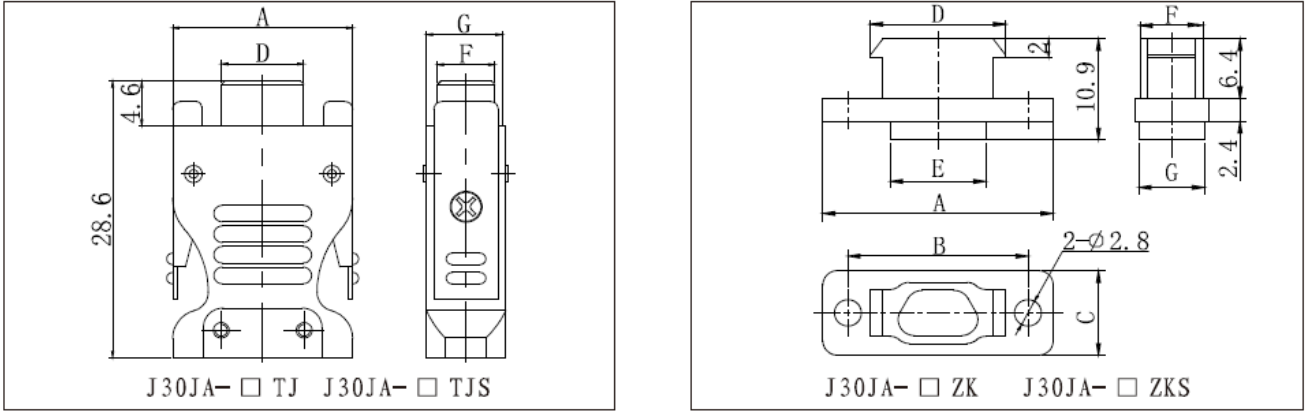
J30J Series miniature rectangular electrical connector

J30JA Quick lock crimping type: J30JA-TJ plug & J30JA-ZK socket

J30JA Quick lock welding type: J30JA-TJS plug & J30JA-ZKS plug

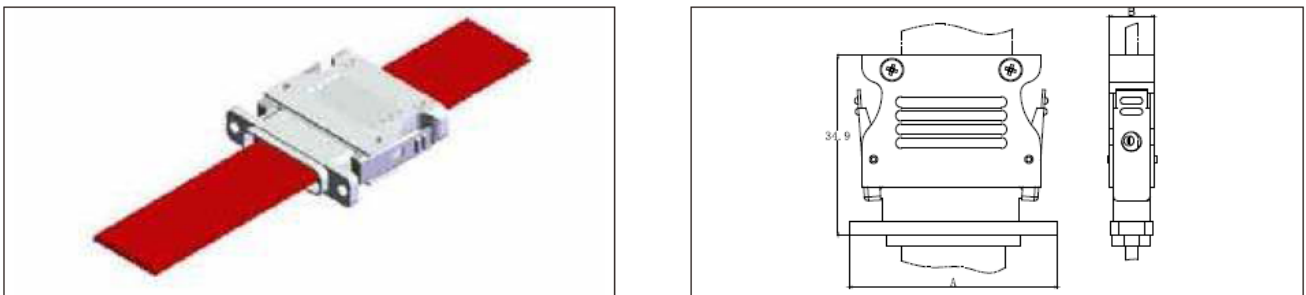
Welded type and crimped type have the same dimensions.

Product dimensions drawing



Plug fitting	A	D	F	G	Socket fitting	A	B	C	D	E	F	G
J30JA-9TJ	18.2	8.4	4.7	8.1	J30JA-9ZK	23.4	18.6	7.6	14.3	9.8	6.5	6.8
J30JA-15TJ	22.1	12.3	4.7	8.1	J30JA-15ZK	27.4	22.6	7.6	18.3	13.8	6.5	6.8
J30JA-21TJ	25.8	16	4.7	8.1	J30JA-21ZK	31.1	26.3	7.6	22	17.5	6.5	6.8
J30JA-25TJ	28.4	18.6	4.7	8.1	J30JA-25ZK	33.7	28.9	7.6	24.6	20.1	6.5	6.8
J30JA-31TJ	32.2	22.4	4.7	8.1	J30JA-31ZK	37.5	32.7	7.6	28.4	24.1	6.5	6.8
J30JA-37TJ	36	26.3	4.7	8.1	J30JA-37ZK	41.4	36.6	7.6	32.3	27.8	6.5	6.8
J30JA-51TJ	34.8	25	5.8	10	J30JA-51ZK	40.1	35.3	8.7	31	26.5	7.6	7.9
J30JA-66TJ	41.2	31.4	5.8	10	J30JA-66ZK	46.5	41.7	8.7	37.4	33	7.6	7.9
J30JA-74TJ	37.3	27.5	6.8	11	J30JA-74ZK	42.6	37.8	9.8	33.5	29	8.7	9
J30JA-100TJ	44.8	35	6.8	11	J30JA-100ZK	50.1	45.3	9.8	41	36.5	8.7	9
J30JA-144TJ	58.8	49	6.8	11	J30JA-144ZK	64.1	59.3	9.8	55	50.6	8.7	9.1

Product docking diagram



Interpolation pair	A	B	Interpolation pair	A	B
J30JA-9TJ/ZK	23.4	8.1	J30JA-51TJ/ZK	40.1	10
J30JA-15TJ/ZK	27.4	8.1	J30JA-66TJ/ZK	46.5	10
J30JA-21TJ/ZK	31.1	8.1	J30JA-74TJ/ZK	42.6	11
J30JA-25TJ/ZK	33.7	8.1	J30JA-100TJ/ZK	50.1	11
J30JA-31TJ/ZK	37.5	8.1	J30JA-144TJ/ZK	64.1	11
J30JA-37TJ/ZK	41.4	8.1			

J30J Series miniature rectangular electrical connector

J30JA plug-in printed board extension

The connection mode between the end of the contact part and the printed board is in-line, and the mesh size is 2.54×2.54 (column \times row).

- socket
- J30JA-9、15、21、25、31、37、51ZKN

Product stereogram

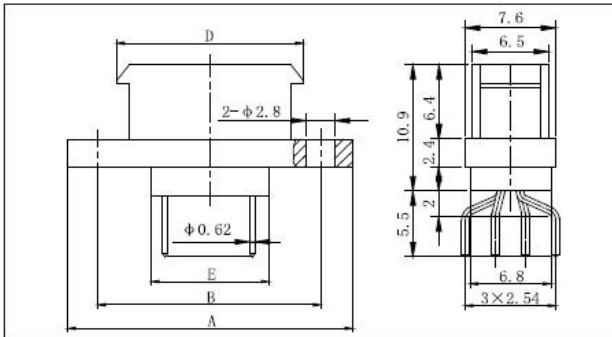


J30JA-9ZKN

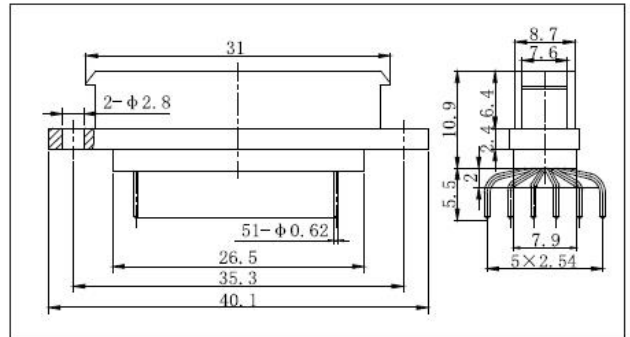


J30JA-31ZKN

Product dimensions drawing



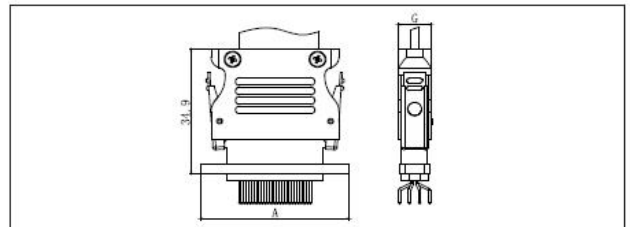
J30JA-9 ~ 37ZKN



J30JA-51ZKN

Order mark	A	B	D	E
J30JA-9ZKN	23.4	18.6	14.3	9.8
J30JA-15ZKN	27.4	22.6	18.3	13.8
J30JA-21ZKN	31.1	26.3	22	17.5
J30JA-25ZKN	33.7	28.9	24.6	20.1
J30JA-31ZKN	37.5	32.7	28.4	24.1
J30JA-37ZKN	41.4	36.6	32.3	27.8

Product butt size drawing



Interpolation pair	A	G	Interpolation pair	A	G
J30JA-9TJ/ZKN	23.4	8.1	J30JA-31TJ/ZKN	37.5	8.1
J30JA-15TJ/ZKN	27.4	8.1	J30JA-37TJ/ZKN	41.4	8.1
J30JA-21TJ/ZKN	31.1	8.1	J30JA-51TJ/ZKN	40.1	10
J30JA-25TJ/ZKN	33.7	8.1			

J30J Series miniature rectangular electrical connector

J30JA plug-in printed board expansion/J30JA-ZKW

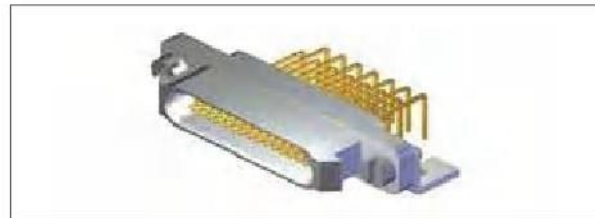
The connection between the end of the contact piece and the printed board is bent and inserted, and the mesh size is 2.54×2.54 (column \times row).

■ socket

■ J30JA-9、15、21、25、31、37、51ZKW

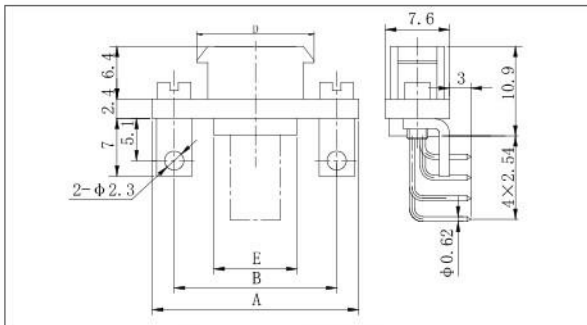


J30JA-9ZKW

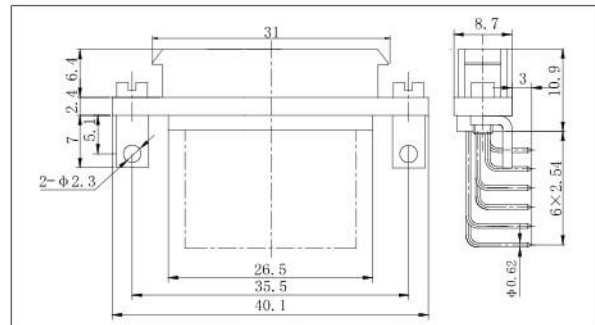


J30JA-31ZKW

Product dimensions drawing



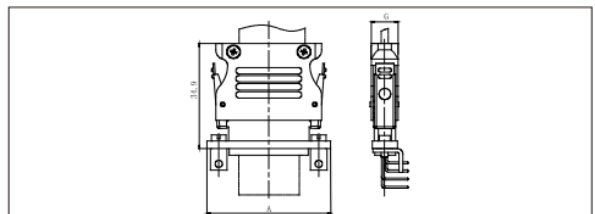
J30JA-9 ~ 37ZKW



J30JA-51ZKW

订货标志	A	B	D	E
J30JA-9ZKW	23.4	18.6	14.3	9.8
J30JA-15ZKW	27.4	22.6	18.3	13.8
J30JA-21ZKW	31.1	26.3	22	17.5
J30JA-25ZKW	33.7	28.9	24.6	20.1
J30JA-31ZKW	37.5	32.7	28.4	24.1
J30JA-37ZKW	41.4	36.6	32.3	27.8

Product butt size drawing



Order mark	A	G	Order mark	A	G
J30JA-9TJ/ZKW	23.4	8.1	J30JA-31TJ/ZKW	37.5	8.1
J30JA-15TJ/ZKW	27.4	8.1	J30JA-37TJ/ZKW	41.4	8.1
J30JA-21TJ/ZKW	31.1	8.1	J30JA-51TJ/ZKW	40.1	10
J30JA-25TJ/ZKW	33.7	8.1			

J30J Series miniature rectangular electrical connector

J30JA plug-in printed board expansion

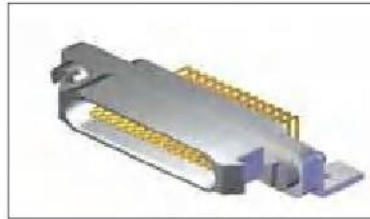
The end of the contact part is connected to the printed board in a bent insert type, and the mesh size is 1.27 × 2.54 (column × row).

- socket
- J30JA-9、15、21、25、31、37、51、74、100ZKW-J

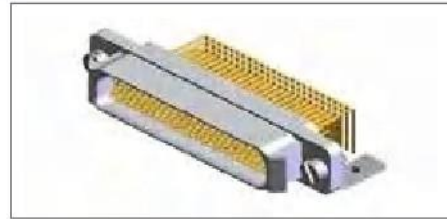
Product stereogram



J30JA-9ZKW-J

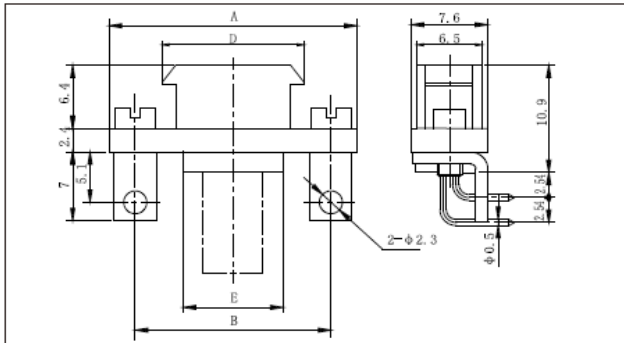


J30JA-31ZKW-J

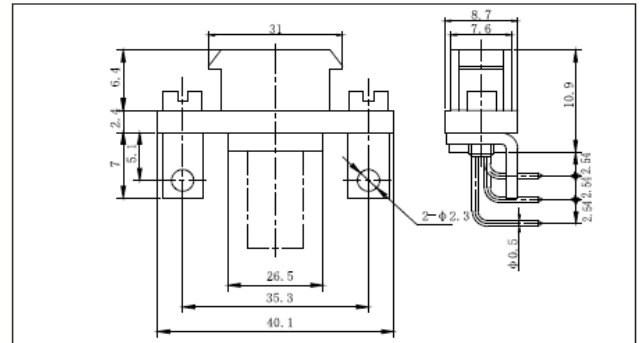


J30JA-100ZKW-J

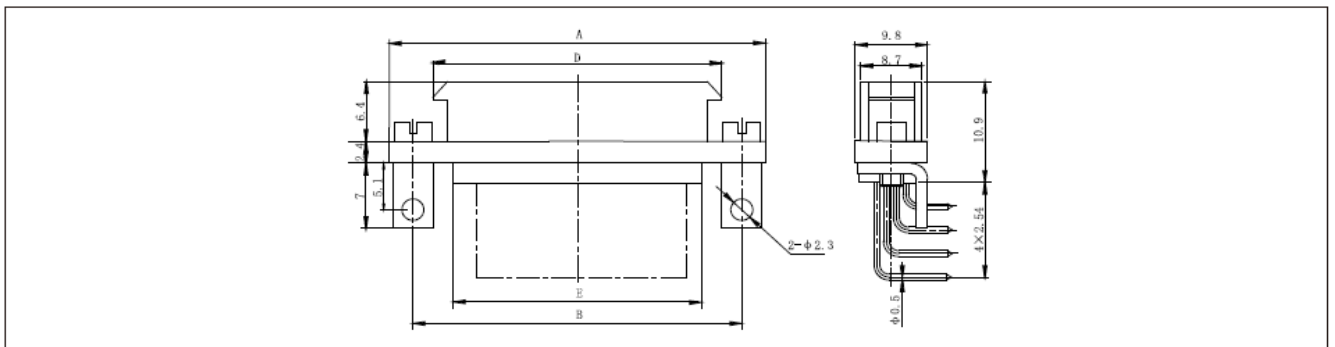
Product dimensions drawing



J30JA-9 ~ 37ZKW-J



J30JA-51ZKW-J

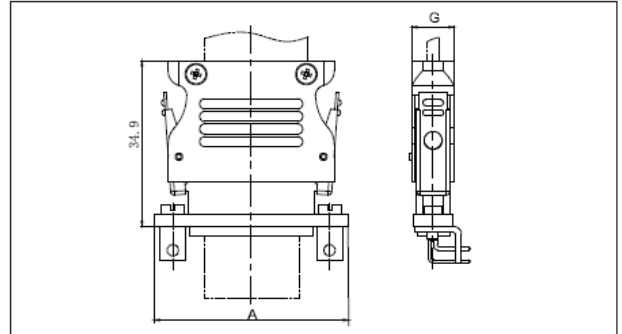
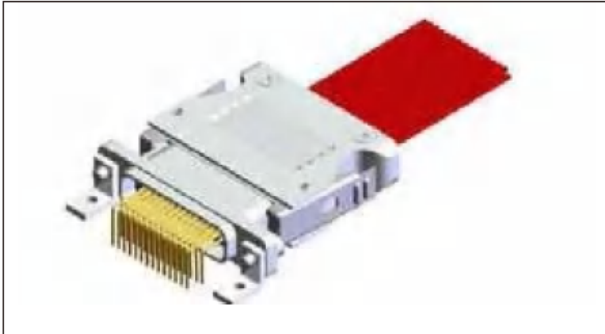


J30JA-74、100ZKW-J

Socket fitting	A	B	D	E
J30JA-9ZKW-J	23.4	18.6	14.3	9.8
J30JA-15ZKW-J	27.4	22.6	18.3	13.8
J30JA-21ZKW-J	31.1	26.3	22	17.5
J30JA-25ZKW-J	33.7	28.9	24.6	20.1
J30JA-31ZKW-J	37.5	32.7	28.4	24.1
J30JA-37ZKW-J	41.4	36.6	32.3	27.8
J30JA-74ZKW-J	42.6	37.8	33.5	29
J30JA-100ZKW-J	50.1	45.3	41	36.5
J30JA-51ZKW-J	See outline dimensions			

J30J Series miniature rectangular electrical connector

Product docking diagram



Interpolation pair	A	G	Interpolation pair	A	G
J30JA-9TJ/ZKW-J	23.5	8.1	J30JA-37TJ/ZKW-J	41.4	8.1
J30JA-15TJ/ZKW-J	27.4	8.1	J30JA-51TJ/ZKW-J	40.1	10
J30JA-21TJ/ZKW-J	31.1	8.1	J30JA-74TJ/ZKW-J	42.6	11
J30JA-25TJ/ZKW-J	33.7	8.1	J30JA-100TJ/ZKW-J	50.1	11
J30JA-31TJ/ZKW-J	37.5	8.1			

J30J Series miniature rectangular electrical connector

J30JD crimped extension type \ J30JD-TJ&J30JD-ZK

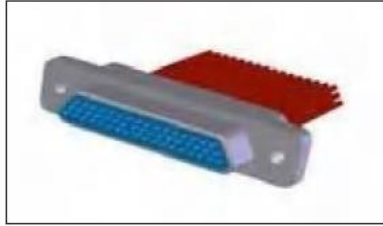
Change the mounting holes to M2-6H threaded holes on the basis of J30J-TJ/ZK.

- plug
- J30JD-9、15、21、25、31、37、51、66、74、100TJ

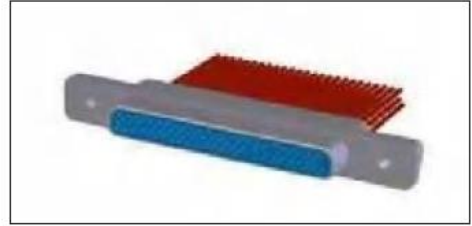
Product stereogram



J30JD-25TJ



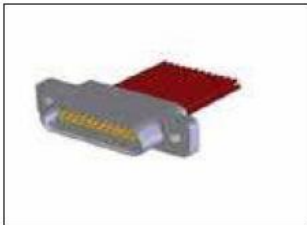
J30JD-51TJ



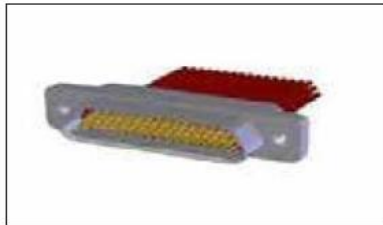
J30JD-100TJ

- socket
- J30JD-9、15、21、25、31、37、51、66、74、100ZK

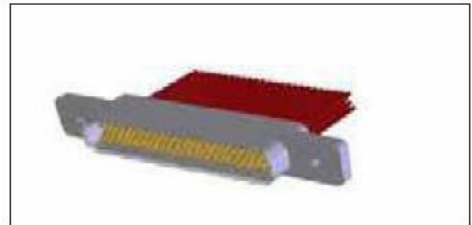
Product stereogram



J30JD-25ZK

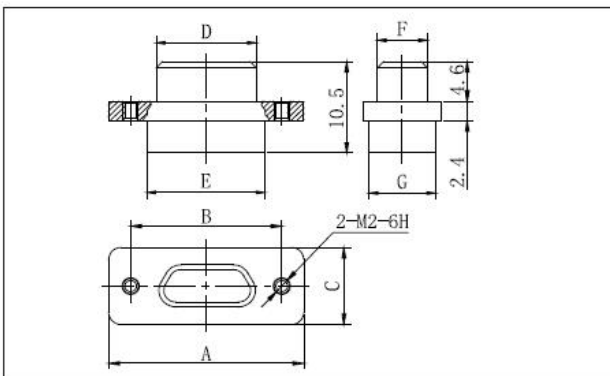


J30JD-51ZK

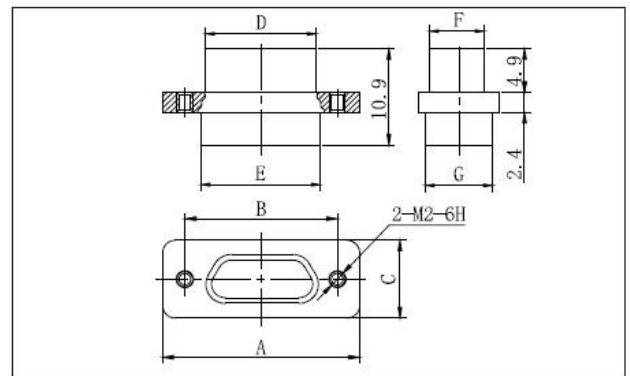


J30JD-100ZK

Product dimensions drawing



J30JD- □ TJ



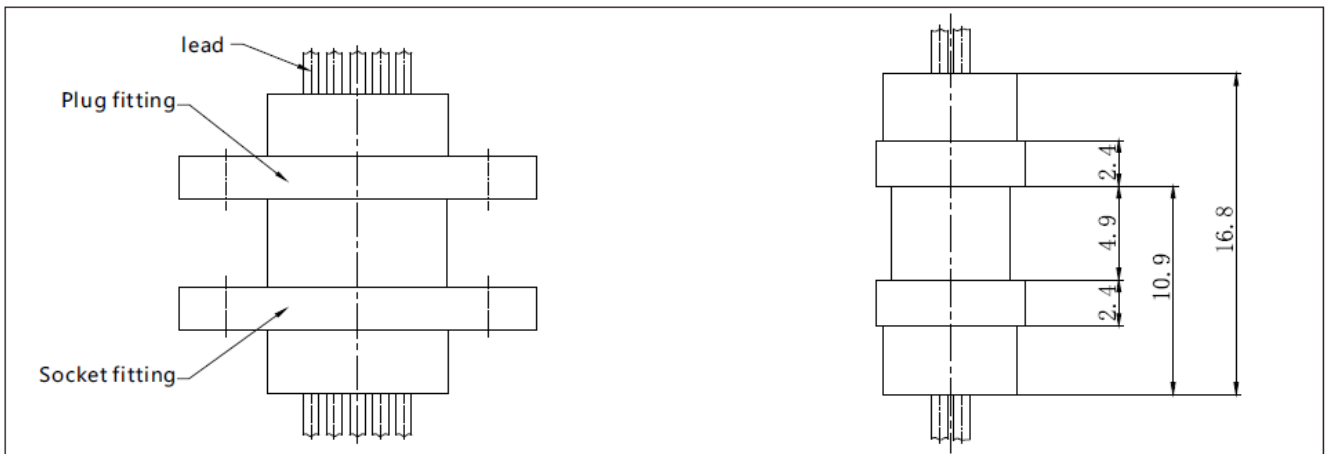
J30JD- □ ZK

J30J Series miniature rectangular electrical connector

J30JD crimped extension type \ J30JD-TJ&J30JD-ZK

Order mark	A	B	C	D	E	F	G
J30JD-9TJ	19.6	14.3	7.6	8.3	9.9	4.7	6.8
J30JD-15TJ	23.5	18.2	7.6	12.3	13.8	4.7	6.8
J30JD-21TJ	27.4	22	7.6	16	17.6	4.7	6.8
J30JD-25TJ	29.8	24.5	7.6	18.6	20.2	4.7	6.8
J30JD-31TJ	33.6	28.3	7.6	22.4	24	4.7	6.8
J30JD-37TJ	37.4	32.2	7.6	26.3	27.8	4.7	6.8
J30JD-51TJ	36.4	30.86	8.7	25	26.6	5.8	7.9
J30JD-66TJ	42.9	37.3	8.7	31.4	33	5.8	7.9
J30JD-74TJ	38.8	33.5	9.7	27.5	29.1	6.8	9.1
J30JD-100TJ	54.7	45.7	9.7	35	36.6	6.8	9.1
J30JD-9ZK	19.6	14.3	7.6	9.8	9.9	6.1	6.8
J30JD-15ZK	23.5	18.2	7.6	13.7	13.8	6.1	6.8
J30JD-21ZK	27.4	22	7.6	17.4	17.6	6.1	6.8
J30JD-25ZK	29.8	24.5	7.6	20	20.2	6.1	6.8
J30JD-31ZK	33.6	28.3	7.6	23.8	24	6.1	6.8
J30JD-37ZK	37.4	32.2	7.6	27.7	27.8	6.1	6.8
J30JD-51ZK	36.4	30.86	8.7	26.5	26.6	7.2	7.9
J30JD-66ZK	42.9	37.3	8.7	32.9	33	7.2	7.9
J30JD-74ZK	38.8	33.5	9.7	29	29.1	8.3	9.1
J30JD-100ZK	54.7	45.7	9.7	36.6	36.65	8.2	9.1

Product docking diagram



Main view

Left view

J30J Series miniature rectangular electrical connector

J30JM rubber seal pressing type VJ30JM-ZK

J30J sealed products, its performance indicators in addition to the insulation resistance (22000MQ) and J30J common type provisions are not the same, other indicators are exactly the same as J30J, and add an air leakage rate index, the index is: $5.0 \times 10^{-2} \text{Pa} \cdot \text{cm}^2/\text{s}$. Therefore, this type of product has an independent product specification.

- socket
- J30JM-9、15、21、25、31、37、51、66、74、100ZK

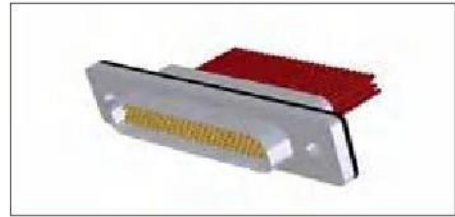
Product stereogram



J30JM-9ZK

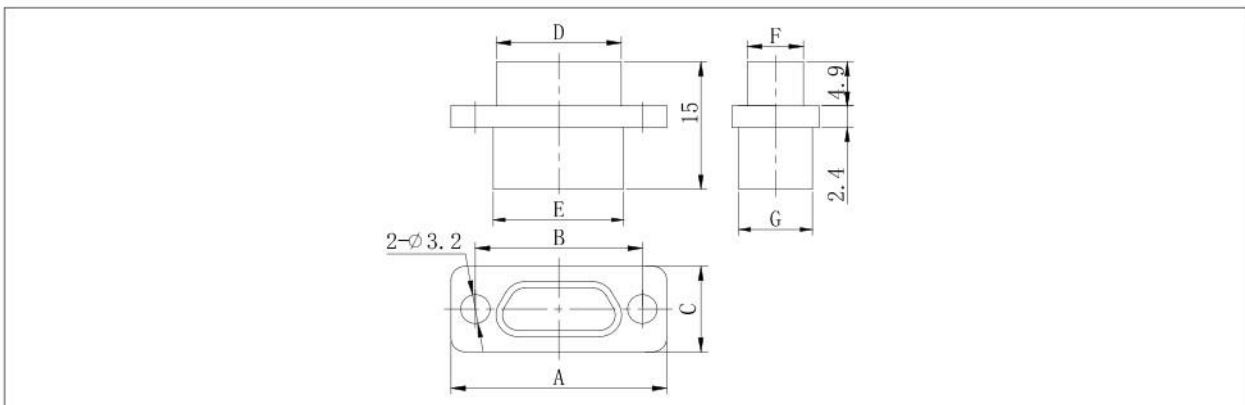


J30JM-31ZK



J30JM-100ZK

Product dimensions drawing



Description: The thickness of the rubber pad installed on the flange of the product (see product stereogram) is 1mm.

Order mark	A	B	C	D	E	F	G
J30JM-9ZK	19.6	14.3	12	9.8	9.9	6.1	6.8
J30JM-15ZK	23.5	18.2	12	13.7	13.8	6.1	6.8
J30JM-21ZK	27.4	22	12	17.4	17.6	6.1	6.8
J30JM-25ZK	29.8	24.5	12	20	20.2	6.1	6.8
J30JM-31ZK	33.6	28.3	12	23.8	24	6.1	6.8
J30JM-37ZK	37.4	32.2	12	27.7	27.8	6.1	6.8
J30JM-51ZK	36.4	30.86	13	26.5	26.6	7.2	7.9
J30JM-66ZK	42.9	37.3	13	32.9	33	7.2	7.9
J30JM-74ZK	38.8	33.5	14	29	29.1	8.3	9.1
J30JM-100ZK	54.7	45.7	14	36.65	36.8	8.2	9.1

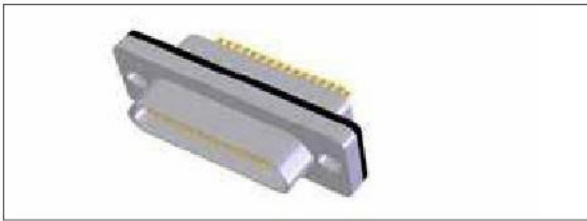
J30J Series miniature rectangular electrical connector

J30JM rubber seal welding type \J30JM-ZKS

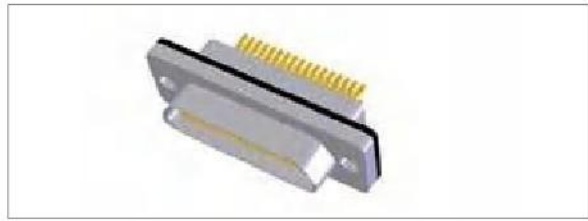
J30J sealed welded products, the same as J30JM-ZK crimping basic type, its performance indicators in addition to insulation resistance (2 2000MΩ) and J30J ordinary type is not the same, other indicators and J30J exactly the same, and add an air leakage rate index, the index is: $5.0 \times 10^{-2} \text{Pa} \cdot \text{cm}^3 / \text{s}$. Therefore, this type of product has an independent product specification.

■ socket J30JM-31、51ZKS

Product stereogram

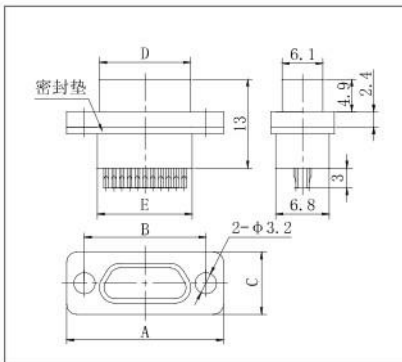


J30JM-31ZKS

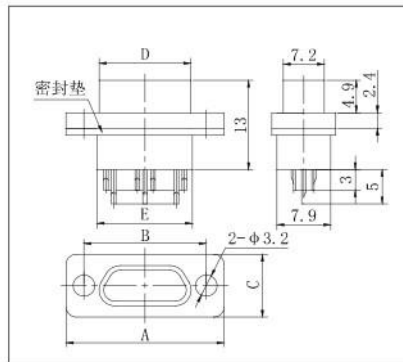


J30JM-51ZKS

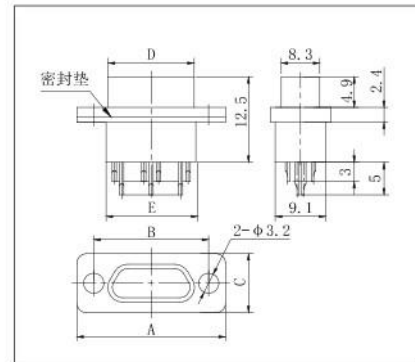
Product dimensions drawing



J30JM-9 ~ 37ZKS



J30JM-51 ~ 66ZKS



J30JM-74 ~ 100ZKS

Description: The thickness of the gasket installed on the flange of the product is 1mm

Product model	A	B	C	D	E	Product model	A	B	C	D	E
J30JM-9ZKS	19.6	14.3	11.6	9.8	9.9	J30JM-37ZKS	37.4	32.2	11.6	27.7	27.8
J30JM-15ZKS	23.5	18.2	11.6	13.7	13.8	J30JM-51ZKS	36.4	30.86	12.7	26.5	26.6
J30JM-21ZKS	27.4	22	11.6	17.4	17.6	J30JM-66ZKS	42.9	37.3	12.7	32.9	33
J30JM-25ZKS	29.8	24.5	11.6	20	20.2	J30JM-74ZKS	38.8	33.5	13.7	29	29.1
J30JM-31ZKS	33.6	28.3	11.6	23.8	24	J30JM-100ZKS	54.7	45.7	13.7	36.6	36.6

J30J Series miniature rectangular electrical connector

J30JM1 glass sintering seal welding type \J30JM1-ZKS

- This is a J30J product with higher sealing index (note that only the socket end is sealed), with glass sintered structure, and the ordinary J30J series plugs and locking components.
- Technical features:
 Insulation resistance: $\geq 1000M\Omega$
 Medium voltage: 600 Vr.m.s
 Contact resistance: $\leq 30M\Omega$
 Air leakage: $\leq 1 \times 10^{-3} Pa \cdot cm^3/s$
 The rest of the technical specifications are exactly the same as the J30J.
- This series of sealed electric connectors are mainly used for board front installation, other installation methods need to be customized.
- You are advised to install the front panel with blind holes. P29, P36, P37, and P43 screws of the J30J series are preferred.
- Plug J30JM1-9, 15, 21, 25, 31, 37, 51ZKS

Product stereogram



J 30JM1-9ZKS

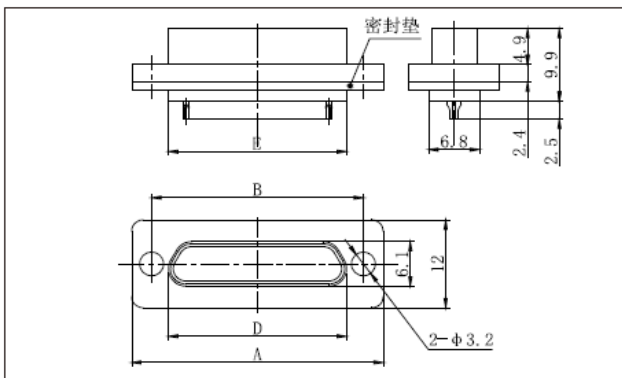


J 30JM1-31ZKS

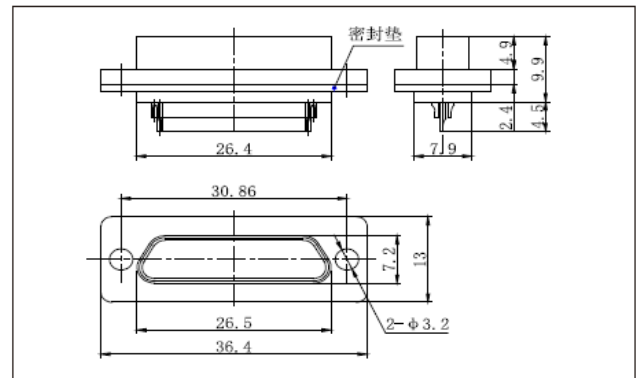


J 30JM1-51ZKS

Product dimensions drawing



J 30JM1-9~37ZKS



J 30JM1-51ZKS

Order mark	A	B	D	E
J 30JM1-9ZKS	19.6	14.3	9.8	9.7
J 30JM1-15ZKS	23.5	18.2	13.7	13.6
J 30JM1-21ZKS	27.4	22	17.4	17.4
J 30JM1-25ZKS	29.8	24.5	20	20
J 30JM1-31ZKS	33.6	28.3	23.8	23.8
J 30JM1-37ZKS	37.4	32.2	27.7	27.6
J 30JM1-51ZKS	See picture above			

Description: The thickness of the rubber pad installed on the flange of the product (see product stereogram) is 1 mm

J30J Series miniature rectangular electrical connector

The A1 clamp can be used with the J30J basic crimping series products, and the locking assembly equipped with the product should usually be a free end locking assembly

- J30J wire clamp, type A1 wire clamp & Type A3 wire clamp
- The A3 clamp is the default for the J30J basic welding S-series products, and can also be used with the J30J ordinary crimping series products
- When the A3 clamp is used with the J30J basic crimping series products, the product ordering mark is J30J-□TJ-A3 (plug), J30J□ZK-A3 (socket).
- When A3 clamp is used with J30J basic welding S series products, the product order mark is J30J-□TJS(plug), J30J□ZKS (socket).

Product stereogram



J30J- □ A1



Assembly of A1 wire clamp and plug

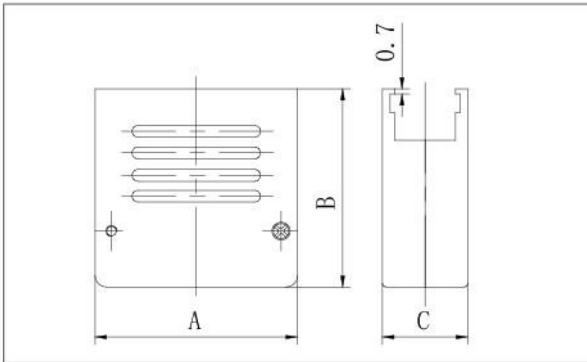


J30J- □ A3

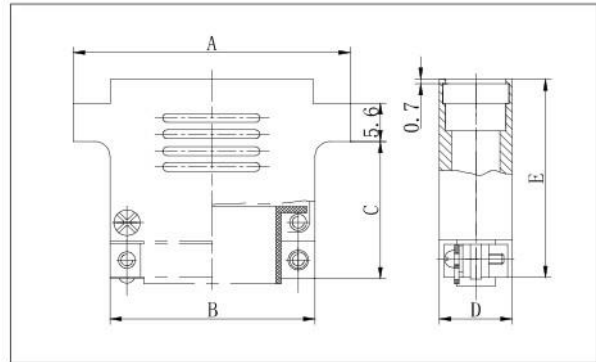


A3 line clamp and product assembly

Product dimensions drawing



J30J-□A1 Cable clamp



J30J-□A3 Cable clamp

Order mark	A	B	C	Order mark	A	B	C	D	E
J30J-9A1	9.9	23.6	10.4	J30J-9A3	19.6	9.9	18.2	10.4	27
J30J-15A1	13.8	23.6	10.4	J30J-15A3	23.5	13.8	18.2	10.4	27
J30J-21A1	17.6	23.6	10.4	J30J-21A3	27.4	17.6	19.2	10.4	28
J30J-25A1	20.2	23.6	10.4	J30J-25A3	29.8	20.2	19.2	10.4	28
J30J-31A1	24	23.6	10.4	J30J-31A3	33.6	24	19.2	10.4	28
J30J-37A1	27.8	23.6	10.4	J30J-37A3	37.4	27.8	19.2	10.4	28
J30J-51A1	26.6	26.6	11.2	J30J-51A3	36.4	26.6	21.2	11.2	30
J30J-66A1	33	26.6	11.2	J30J-66A3	42.9	33	21.2	11.2	30
J30J-74A1	29.1	30	12	J30J-74A3	38.8	29.1	21.2	12	30
J30J-100A1	40.7	30	12	J30J-100A3	54.7	40.7	21.2	12	30

J30J Series miniature rectangular electrical connector

J30J wire clamp fitting \A2 wire clamp fitting fitting

Type A2 wire clamp can only be fitted with type J30J-TJ/ZK-Q8 products.

Product stereogram

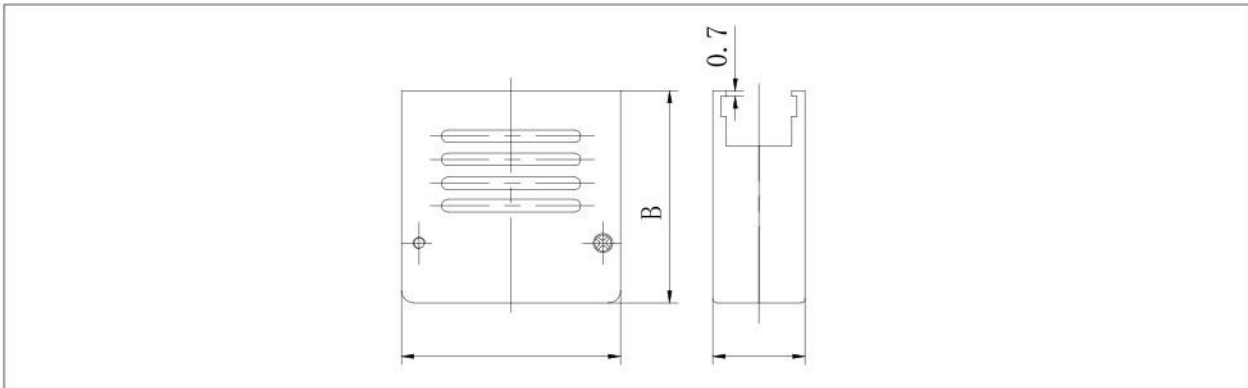


J30J- □ A2



A2 line clamp and plug assembly

Product dimensions drawing



J30J-□A2 line clamp

Order mark	A	B	C
J30J-9A2	11.7	22	13.4
J30J-15A2	15.6	22	13.4
J30J-21A2	19.4	22	13.4
J30J-25A2	22	22	13.4
J30J-31A2	25.8	22	13.4
J30J-37A2	29.6	22	13.4
J30J-51A2	28.4	22	14.6

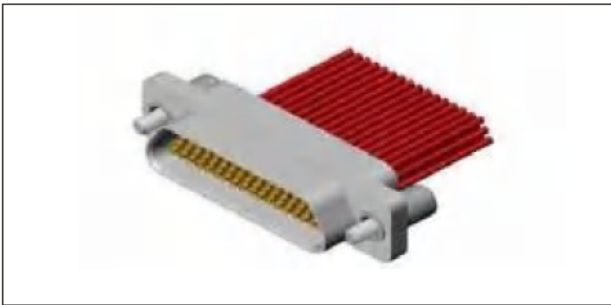
J30J Series miniature rectangular electrical connector

J30J Locking assembly \J30J free end locking assembly

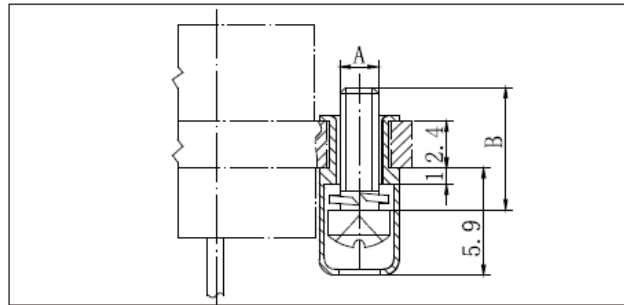
Free end locking components should only be combined with J30J product portfolio to form free end connectors; The butt locking end is usually a fixed end locking assembly.

■ L, L1, L8 type locking assembly

Assembly diagram



Product dimensions drawing



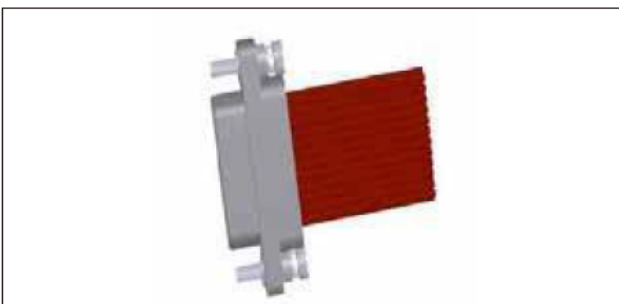
■ L, L1, L8 type locking components

J30J free end locking assembly	A	B	J30J fixed end locking assembly available
L 型	M2-6h	7.1	P、P0、P2、P3、P4、P5、P7、P8、P9、P10、P11、P14、P15、P17、P23、P25、P27、P29、P30、P32、P35、P36、P37、P40、P41、P42、P43、P45、P46 型
L1 型	M2-6h	11.5	Specially designed for locking with J30J-ZK-Q4 products
L8 型	#2-56UNC-2A	7.1	P1

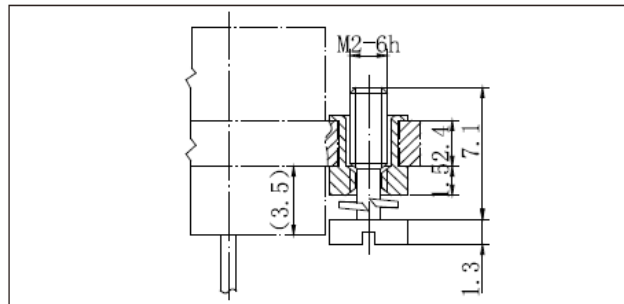
■ Type L7 locking assembly

The Type L7 lock assembly is installed in the basic J30J-TJ/ZK product and the screw tail end is not higher than the end face of the housing when tightened.

Assembly diagram



Product dimensions drawing



■ Type L7 locking assembly is used

J30J free end locking assembly	J30J fixed end locking assembly available
L7 type	P、P0、P2、P3、P4、P5、P7、P8、P9、P10、P11、P14、P15、P17、P23、P25、P27、P29、P30、P32、P35、P36、P37、P40、P41、P42、P43、P45、P46 型

J30J Series miniature rectangular electrical connector

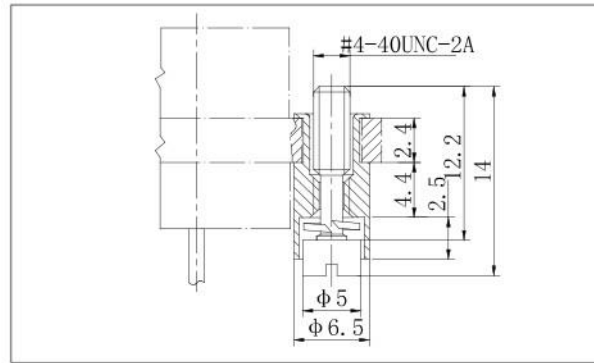
J30J Locking assembly \J30J free end locking assembly

■ Type L2 locking assembly

Assembly diagram



Product dimensions drawing



■ Application conditions and collocation of Type L2 locking assembly

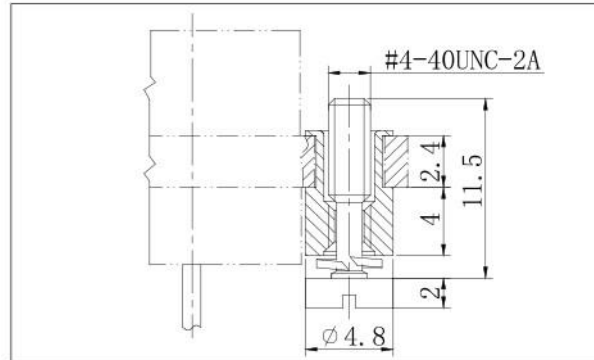
J30J free end locking assembly	Applicable conditions and available J30J fixed end locking assembly
Type L2	Can only be used in J30J-100TJ-K /ZK-K shell flange mounting hole aperture is Phi 3.7 products. It can be used with P12, P16, and P34 locking components.

■ Type L3 locking assembly

Assembly diagram



Product dimensions drawing



■ Application conditions and collocation of type L3 locking components

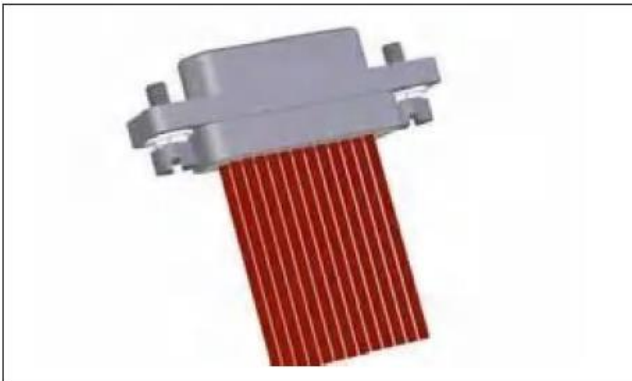
J30J free end locking assembly	Applicable conditions and available J30J fixed end locking assembly
L3 type	Can only be used in J30J-100TJ-K /ZK-K shell flange mounting hole diameter of 3.7 medium products. It can be used with P12, P16, and P34 locking components.

J30J Series miniature rectangular electrical connector

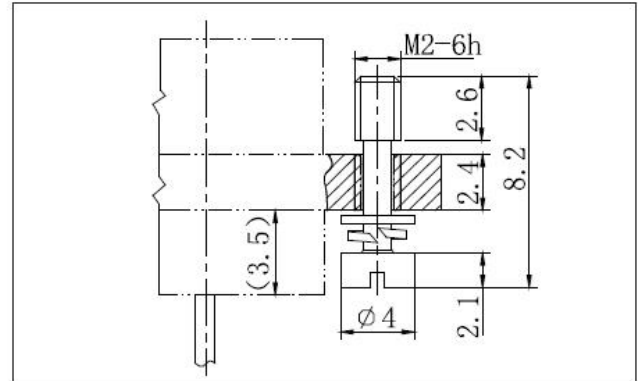
J30J Locking assembly \J30J free end locking assembly

■ Type L9 locking assembly

Assembly diagram



Product dimensions drawing



■ Application conditions and collocation of type L9 locking assembly

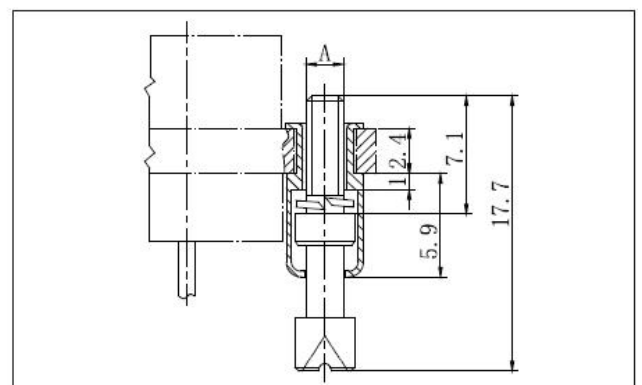
J30J free end locking assembly	Applicable conditions and available J30J fixed end locking assembly
L9 type	It can only be used for J30JD type products, and for ease of use, it is recommended to choose the sling product.p、p0、p2、p3、p4、p5、p7、p8、p9、p10、p11、p14、p15、p17、p23、p25、p27、P29、P30、P32、P35、P36、P37、P40、P41、P42、P43、P45、P46 type locking assembly.

■ K, K1 type locking assembly

Assembly diagram



Product dimensions drawing



■ K, K1 type locking components are used

J30J free end locking assembly	A	J30J fixed end locking assembly available
Type K	M2-6h	TypeP、P0、P2、P3、P4、P5、P7、P8、P9、P10、P11、P14、P15、P17、P22、p23、p25、p27、p29、p30、p32、p35、p36、p37、p40、p41、p42、p43、p45、p46
Type K1	#2-56UNC-2A	P1

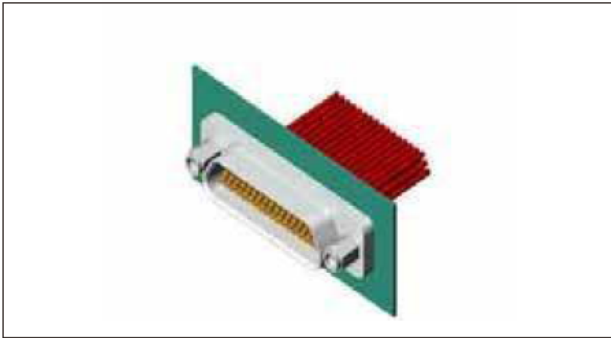
J30J Series miniature rectangular electrical connector

J30J Locking assembly \J30J fixed end locking assembly

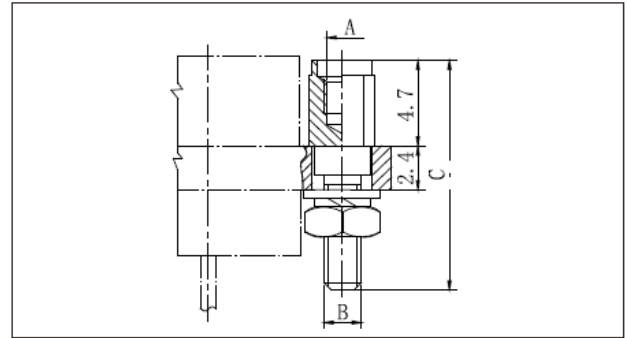
Fixed end locking assemblies are used to secure connectors to mounting boards or printed boards. Most fixed-end locking components can be interlocked with free-end locking components; A few fixed end locking components are only suitable for use where they are not locked with free end locking components (such as type P44).

- Type P, P1, P8, P9 locking components
- Type P, P1, P8, P9 locking assemblies are only suitable for front mounting.

Assembly diagram



Product dimensions drawing

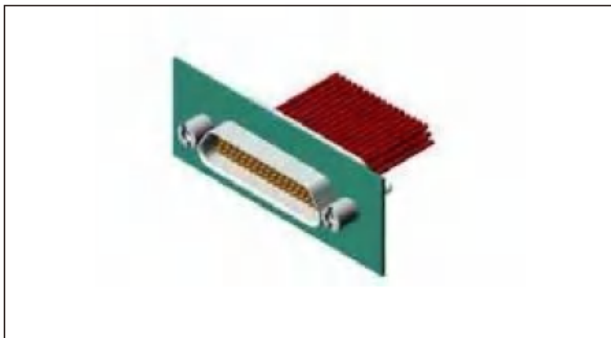


- P, P1, P8, P9 type locking components

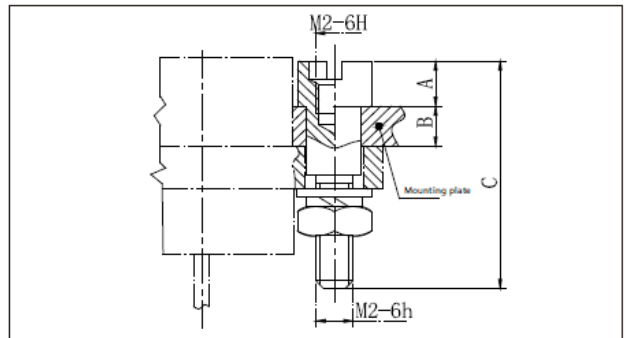
J30J Fixed end locking assembly	A	B	C	Available J30J free end locking assembly
P-type	M2-6H	M2-6h	12.6	L, L7, L9, K-type
P1-type	#2-56UNC-2B	#2-56UNC-2A	12.6	L8, K1-type
P8-type	M2-6H	M2-6h	15.6	L, L7, L9, K-type
P9-type	M2-6H	M2-6h	21.6	L, L7, L9, K-type

- Type P0, P3, P4, P11, P45 locking assemblies
- Type P0, P3, P4, P11, P45 locking assemblies are only suitable for backboard installation.

Assembly diagram



Product dimensions drawing



- P0, P3, P4, P11, P45 type locking components and dimensions

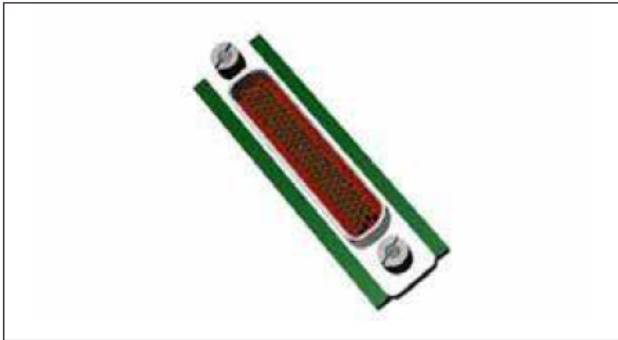
J30J Fixed end locking assembly	A	B	C	Available J30J free end locking assembly
P0 type	4.1	0.6	12.6	L, L7, L9, K type
P3 type	3.3	1.4	12.6	L, L7, L9, K type
P4 type	2.5	2.2	12.6	L, L7, L9, K type
P11 type	1.3	3.4	12.6	L, L7, L9, K type
P45 type	2.7	2	20	L, L7, L9, K type

J30J Series miniature rectangular electrical connector

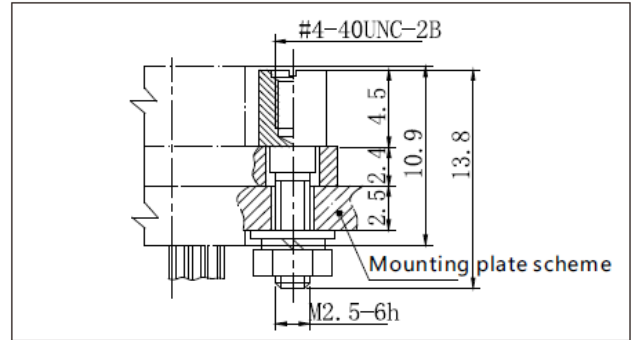
J30J Locking assembly \ J30J fixed end locking assembly

■ Type P31 locking assembly

Assembly diagram



Product dimensions drawing



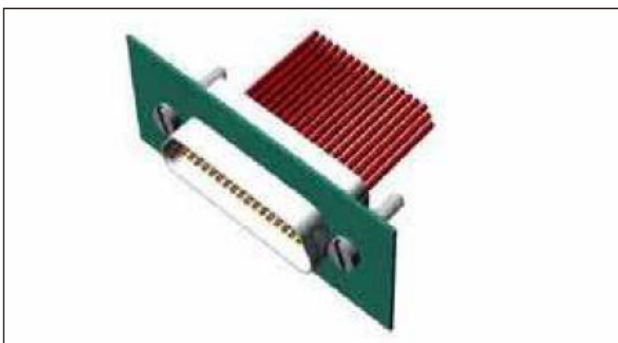
■ Applicable conditions and collocation of type P31 locking assembly

J30J free end locking assembly	Applicable conditions and available J30J fixed end locking assembly
P31 type	Can only be used in J30J-100TJ-K /ZK-K shell flange mounting hole diameter of 3.7 medium products. Can be used with L2 and L3 locking components.

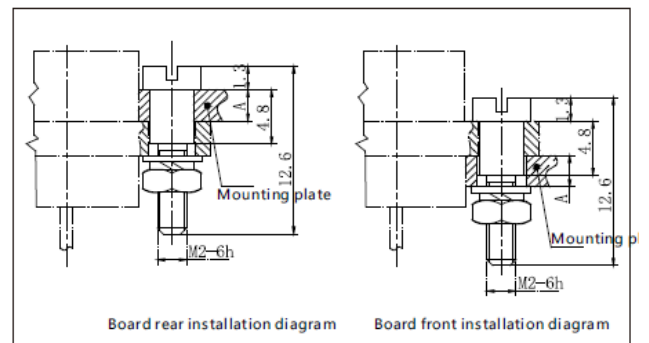
■ Type P44 locking assembly

■ The P44 lock assembly is suitable for front or back plate installation that is not locked with the free end lock assembly, and the maximum allowable thickness of the mounting plate is determined according to the use of the product, as detailed in the table below.

Assembly diagram



Product dimensions drawing



■ Usage of type P44 locking assembly and allowable range of mounting plate thickness dimensions

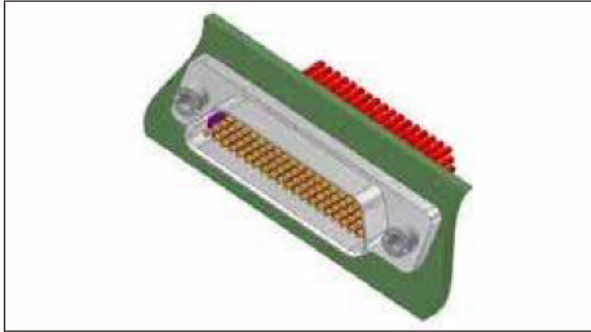
Connector usage status	Range of mounting plate thickness dimension A
When the connector board is installed in the rear, and the connector insert end does not have a fixed end locking assembly.	3.4max
Plate front mounting	2.5 ~ 3.5
When the connector plate is installed in the rear, and the connector connector has a fixed end locking assembly.	A=4.9-1.3-(distance between screw face and flange face at insert end)

J30J Series miniature rectangular electrical connector

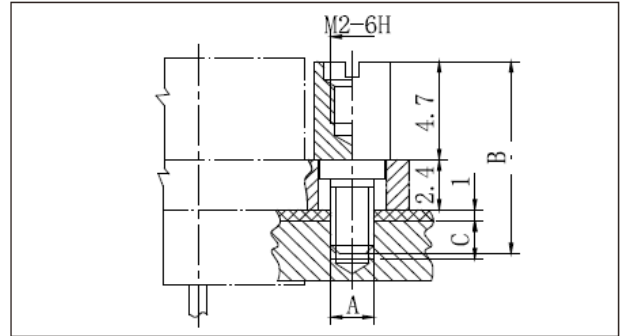
J30J locking assembly \J30J fixed end locking assembly \J30JM sealing type products

- Fixed end mounting screws for J30JM sealed products are mainly P29, P36, P37, P43, and only applicable to plate front insta
- P29, P36, P37, P43 locking components

Assembly diagram



Assembly diagram



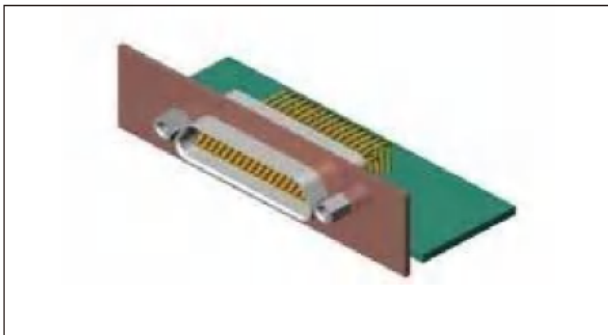
- P29, P36, P37, P43 type locking assembly

J30J Fixed end locking assembly	A	B	C	Available J30J free end locking assembly
P29 type	M3-6h	10.5	3.3min	L, L7, L9, K type
P36 type	M3-6h	14.7	7min	L, L7, L9, K type
P37 type	M2-6h	10	2.8min	L, L7, L9, K type
P43 type	M3-6h	11.7	4min	L, L7, L9, K type

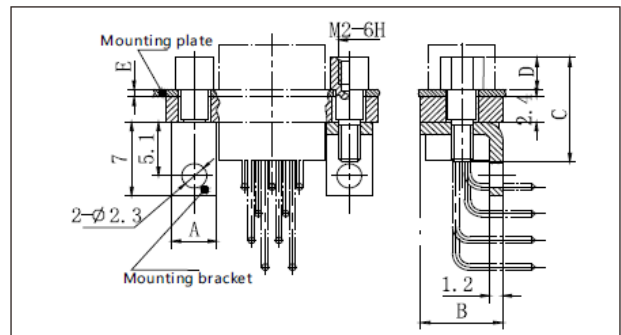
J30J locking assembly \J30J fixed end locking assembly \ Locking assembly for bent insert printed boards

- The locking components used in bent-insert printed board products are mainly P2, P14, P7, P42, P15, P35, V1 locking compo
- P2, P14 type locking assembly
- Type P2, P14 locking assemblies are suitable for 90° bent-insert printed board products installed behind the board.

Assembly diagram



Product dimensions drawing



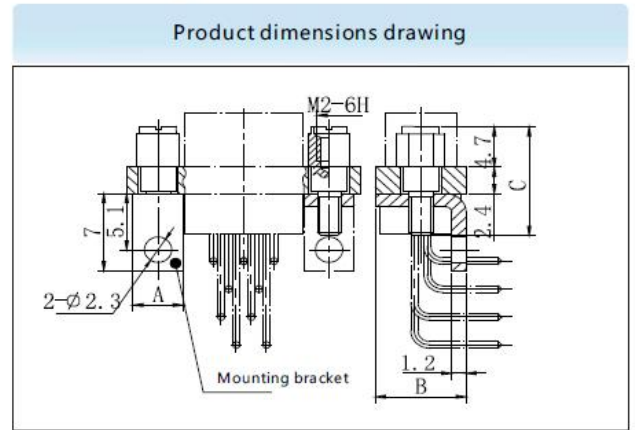
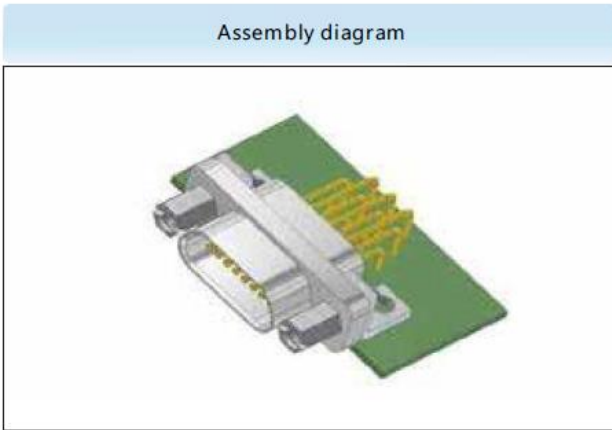
- P2, P14 type locking components are used

P2, P14 The number of cores applicable to the fixed end locking assembly	A	B	C		D		E		Available J30JFree end locking assembly
			P2	P14	P2	P14	P2	P14	
9 ~ 37	4.2	7.6	11.6	10.7	3.7	1.7	1	3	L、L7、L9、K型
51、66	4.2	8.7	11.6	10.7	3.7	1.7	1	3	L、L7、L9、K型
74	4.2	9.7	11.6	10.7	3.7	1.7	1	3	L、L7、L9、K型
100	8.8	9.7	11.6	10.7	3.7	1.7	1	3	L、L7、L9、K型

J30J Series miniature rectangular electrical connector

J30J locking assembly \ J30J fixed end locking assembly \ Locking assembly for bent insert printed boards

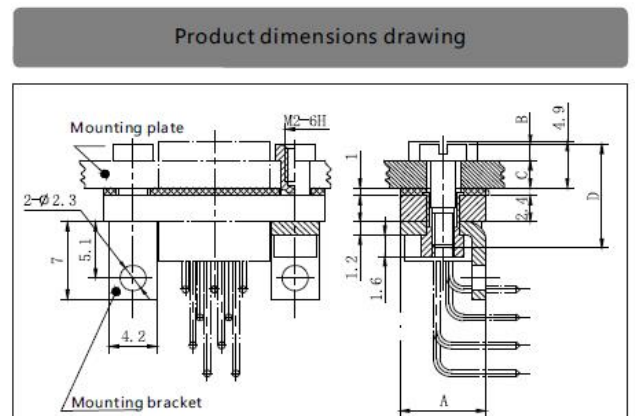
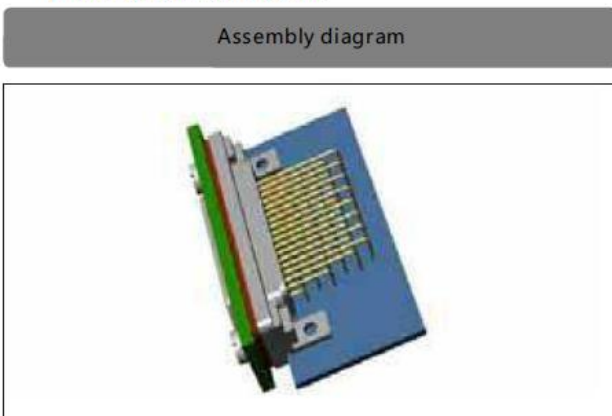
- P7, P42 type locking assembly
- Type P7, P42 locking assemblies are only suitable for front mounting of 90° bent printed boards.



■ P7, P42 type locking components

P7, P42 The number of cores applicable to the product of the fixed end locking assembly	A	B	C		Available J30J free end locking assembly
			P7	P42	
9 ~ 37	4.2	7.4	10.7	9.7	L, L7, L9, K type
51	4.2	8.5	10.7	9.7	
66	4.2	8.5	10.7	9.7	
74	4.2	9.5	10.7	9.7	
100	7.9	9.5	10.7	9.7	

- P15, P35 type locking assembly
- Type P15, P35 locking components are suitable for J30J-TJW-Q8/ZKW-Q8 bent insert printed board products, and are installed behind the board.



■ P15, P35 type locking components

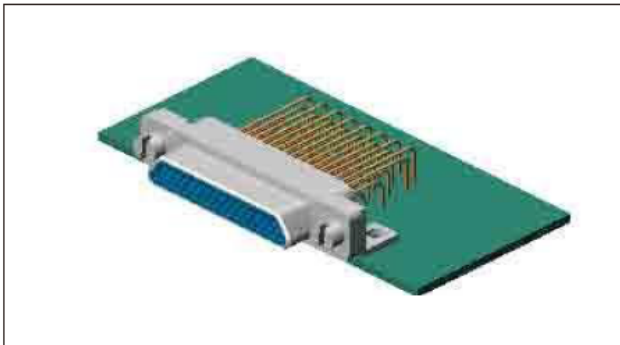
P15, P35 fixed end locking components for the number of products	A	B		C		D		Available J30J free end locking assembly
		P15	P35	P15	P35	P15	P35	
9 ~ 37	7.6	1.9	2.4	2.5	1.8	9.7	9.5	L, L7, L9, K type
51	8.7	1.9	2.4	2.5	1.8	9.7	9.5	

J30J Series miniature rectangular electrical connector

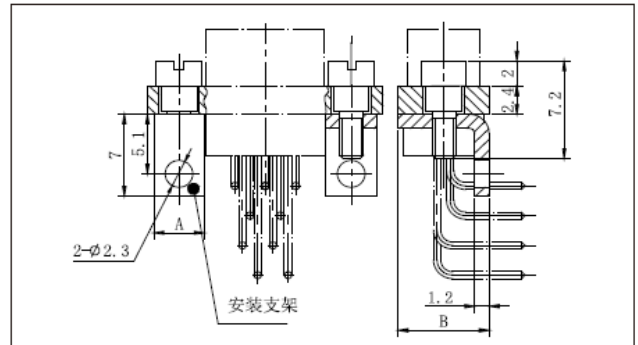
J30J locking assembly \ J30J fixed end locking assembly \ Locking assembly for bent insert printed boards

- Type V1 locking assembly
- The Type V1 lock assembly is only suitable for products with bent printed boards and no locking between plugs and receptac

Assembly diagram



Product dimensions drawing



■ V1 locking assembly installation diagram

Number of cores for the applicable product	A	B
9 ~ 37	4.2	7.6
51	4.2	8.7
66	4.2	8.7
74	4.2	9.7
100	8.8	9.7

J30J locking assembly \ J30J fixed end locking assembly \ J30JD type product.

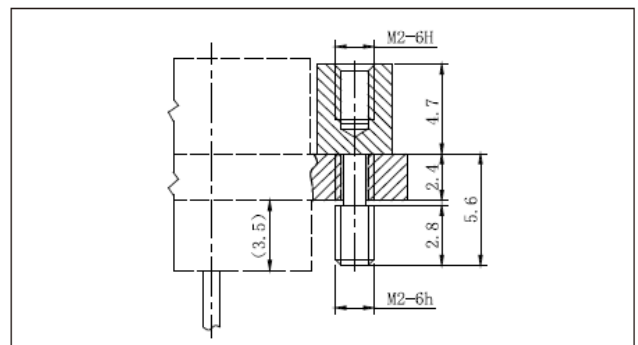
- The fixed end mounting screws for J30JD products are mainly P46, and are only suitable for plate front installation.

■ Type P46 locking assembly

Assembly diagram



Product dimensions drawing



■ Applicable conditions and collocation of type P46 locking assembly

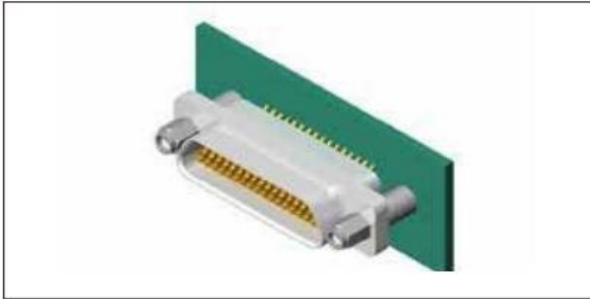
J30J free end locking assembly	Applicable conditions and available J30J fixed end locking assembly
P46 type	It can only be used on J30JD products. Can be used with L, L7, L9, K type locking components.

J30J Series miniature rectangular electrical connector

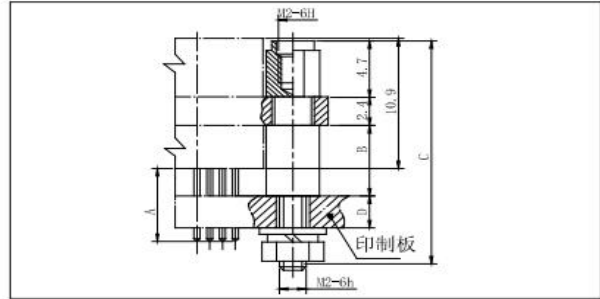
J30J lock assembly \ J30J fixed end lock assembly \ Lock assembly for in-line printed boards

- The locking components for in-line printed board products mainly include P5, P10, P23, P25, P17, P41, and V locking components. P5, P10, P23, P25 locking components
- P5, P10, P23, P25 lock components are only applicable to the board front installation of live printed boards

Assembly diagram



Product dimensions drawing



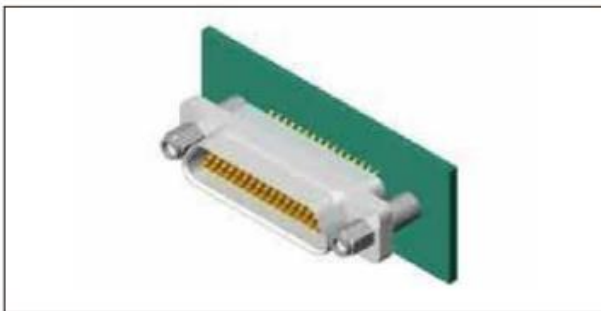
P5, P10, P23, and P25 lock components are used

J30J Fixed endLocking assembly	A	B	C	Applicable printed board thickness range	J30J free end locking assembly for use
P5 type	5.7	5.9	18.6	1.6~2.5	L, L7, L9, K type
P10 type	8	8.4	20.5	1.6~2.5	
P25 type	5.7	5.9	20.5	1.6~2.5	
	8	5.9	20.5	1.6~4.8	
P23 type	5.7	5.9	17.8	1.6	

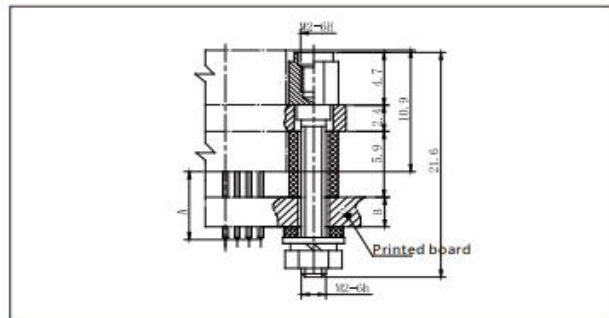
Note: The P10 lock assembly can only be used with J30J-9-37TJN8 products, and cannot be used for J30J-TJN/ZKN with A pin inch of 5.7.J30j-tvn-j /ZKN-J and other types of products.

- Type P17 locking assembly

Assembly diagram



Product dimensions drawing



- Type P17 locking assembly is used

J30J Fixed endLocking assembly	A	Applicable printed boards Thickness range B	Available J30J free endLocking assembly	Applicable product
P17 type	5.7	1.6 ~ 2.5	L, L7, L9, K type	J30J-9 ~ 51TJN/ZKN, J30J-9 ~ 100TJN/ZKN-J
	7.2	1.6 ~ 4		J30J-9 ~ 51TJN4/ZKN4, J30J-9 ~ 100ZKN4-J

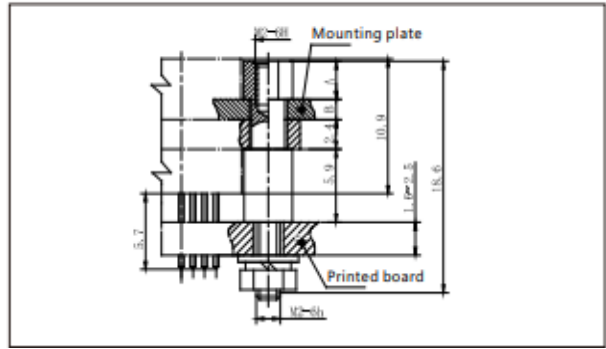
J30J Series miniature rectangular electrical connector

- P32, P41 type locking assembly
- P32, P41 locking components are suitable for rear-mounted printed board products, printed board thickness of 1.6 ~ 2.5.

Assembly diagram



Assembly diagram

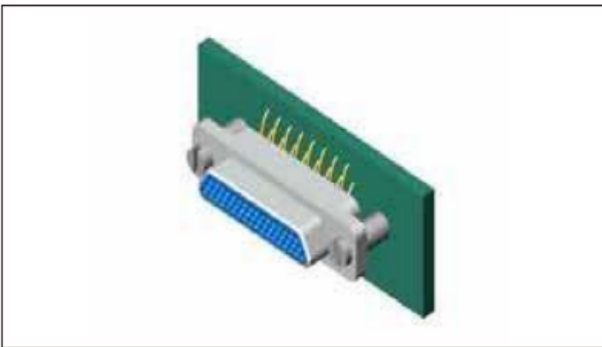


- P32, P41 type locking components are used

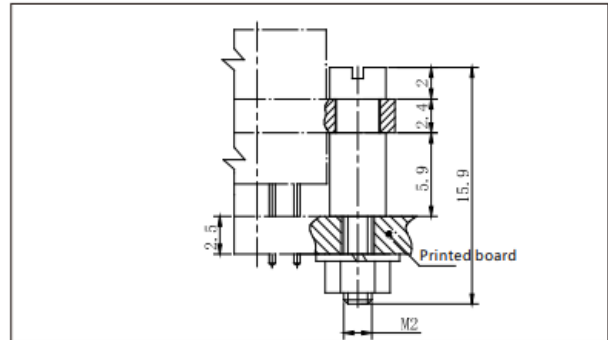
J30J Fixed end locking assembly	A	B	Available J30J free end locking assembly
P32 type	2.7	2	L, L7, L9, K type
P41 type	3.2	1.5	L, L7, L9, K type

- V-lock assembly
- V-lock components are suitable for in-line printed board products that do not need to be locked between plugs and sockets, and the thickness of the printed board is not greater than 2.5mm.

Assembly diagram



Product dimensions drawing



J30J Series miniature rectangular electrical connector

Special bending-insert printed board products, pin grid spacing of 2.54×2.54 . Such products are only suitable for installation after the board, not for installation before the board.

- J30J-74 core special bent insert printed board products
- socketJ30J-74ZKW-S, J30J-74ZKW4-S, J30J-74ZKW (14) -S, J30J-74ZKW4 (14) -S

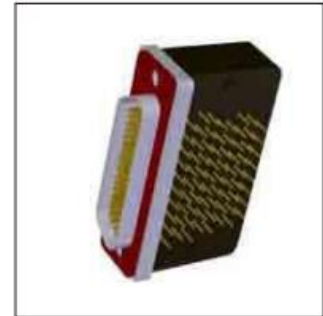
Product stereogram



J30J-74ZKW-S

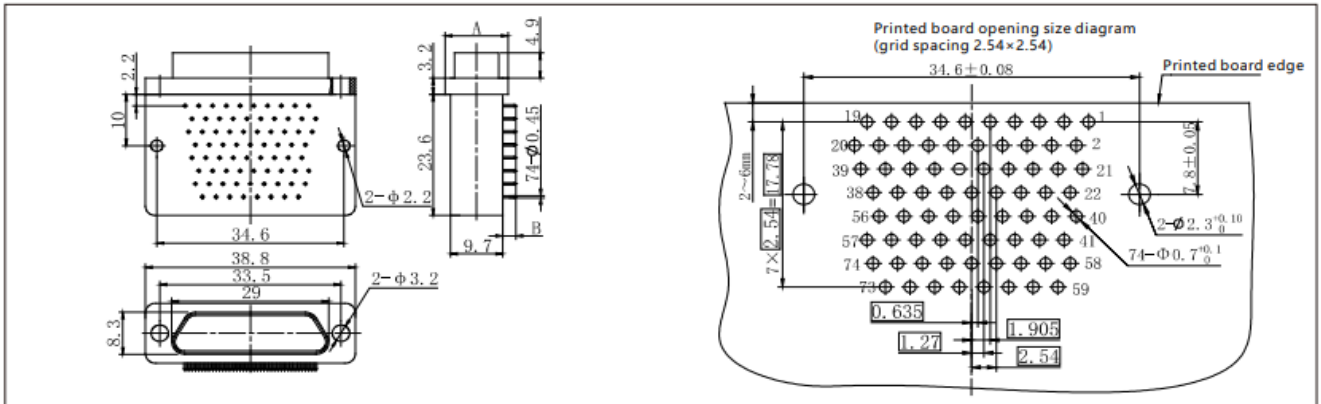


J30J-74ZKW4-S



J30J-74ZKW4 (14) -S

Product stereogram



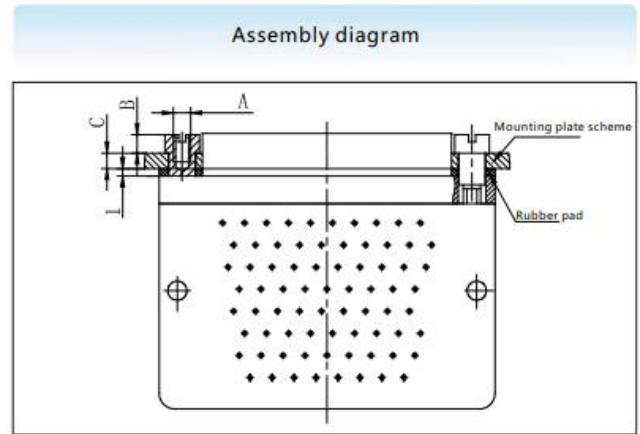
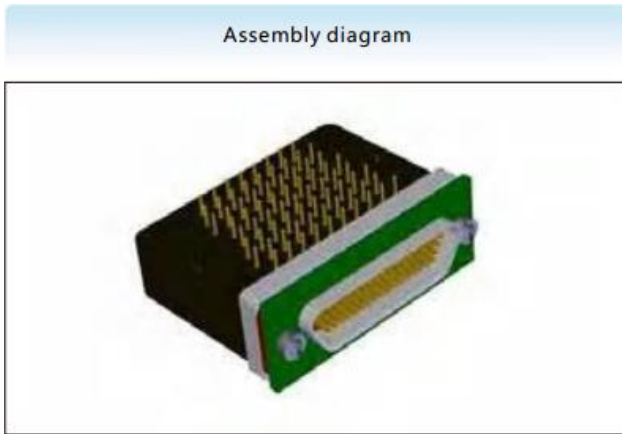
Socket fitting	A	B	remark
J30J-74ZKW-S	9.7	2.4	J30J-74ZKW (14) -S, J30J-74ZKW4 (14) -S flange in the housing The disc is equipped with a rubber pad, while the J30J-74ZKW-S and J30J-74ZKW4-S are not. Mounting screws that can be used with the products listed in this table are listed after this clause.
J30J-74ZKW (14) -S	14	2.4	
J30J-74ZKW4-S	9.7	3.5	
J30J-74ZKW4 (14) -S	14	3.5	

J30J Series miniature rectangular electrical connector

J30J-74 core special bent insert printed board products

■ Fitting a locking assembly

■ J30J-74ZKW-S, J30J-74ZKW4-S, J30J-74ZKW (14)-S, J30J-74ZKW4 (14)-S and other types of products can be equipped with mounting screws in the locking assembly such as P4P11. The product model is still added according to the model of the locking component, such as J30J-74ZKW-S after installing P4 mounting screws, the product model is J30J-74ZKWP4-S, and the installation screws and application status of each type of product are shown in the following table.



■ J30J-74ZKW-S and J30J-74ZKW4-S models are equipped with the following mounting screws:

J30J Fixed endLocking assembly	Mounting screw designation	Thread size A	B	Mounting plate Thickness C	remark	Available J30JFree end locking assembly
P	Ln8. 919. 034	M2-6H	4. 7	No mounting plate	Rubber free pad	L, L7, L9, K type
P0	Ln8. 919. 077	M2-6H	4. 1	0. 6	Rubber free pad	L, L7, L9, K type
P3	Ln8. 919. 078	M2-6H	3. 3	1. 4	Rubber free pad	L, L7, L9, K type
P4	Ln8. 919. 057	M2-6H	2. 5	2. 2	Rubber free pad	L, L7, L9, K type
P11	Ln8. 919. 076	M2-6H	1. 3	3. 4	Rubber free pad	L, L7, L9, K type
P1	Ln8. 919. 027	#2-56UNC-2B	4. 7	No mounting plate	Rubber free pad	L8,K1 type

■ J30J-74ZKW (14)-S and J30J-74ZKW4 (14)-S models are equipped with the following mounting screws:

J30J Fixed endLocking assembly	Mounting screw designation	Thread size A	B	Mounting plate Thickness C	remark	Available J30JFree end locking assembly
P4	Ln8. 919. 057	M2-6H	2. 5	1. 4~1. 6	Product with rubber pad	L、L7、L9、K 型
P11	Ln8. 919. 076	M2-6H	1. 3	2. 6~2. 8	Product with rubber pad	L、L7、L9、K 型

Note: Due to the special structure of the product, the above listed products in the factory, the installation hole position is unified with V1 Ln8.919.080 installation screw screw, and the product model specified in the installation screw is packaged separately with the connector factory, by the user to use the replacement of the screw is no longer useful, the user can abandon it .

J30J Series miniature rectangular electrical connector

J30J-100 core special bent insert printed board products

- Special bent insert printed board products, pin grid spacing of 2.54 × 2.54, such products are only suitable for installation after the board, can not be installed before the board.
- socketJ30J - 100 ZKW-S、J30J-100ZKW (12) -S、J30J-100ZKW (14) -S
J30J-100ZKW4-S、J30J-100ZKW4 (12) -S、J30J-100ZKW4 (14) -S

Product stereogram



J30J-100ZKW-S

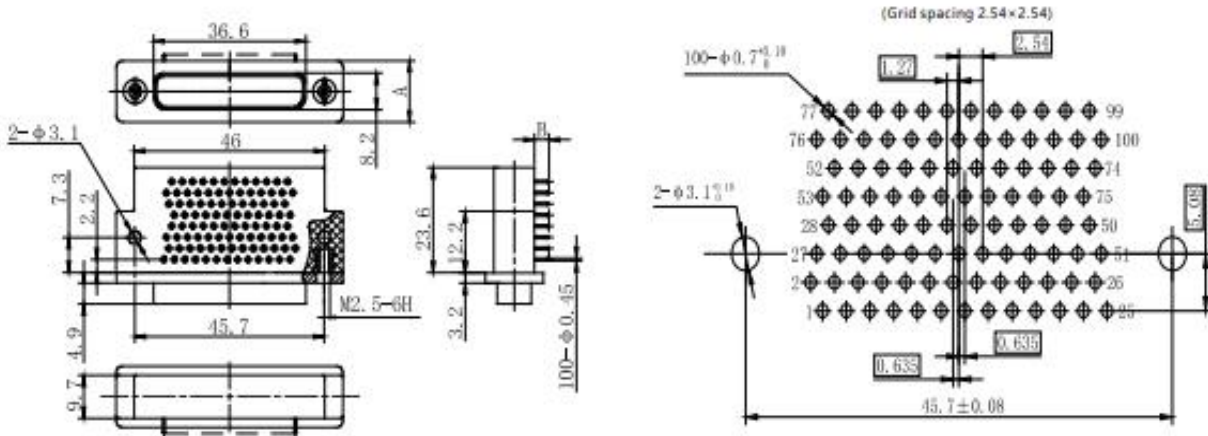


J30J-100ZKW4 (12) -S



J30J-100ZKW (14) -S

Product dimensions drawing



Order mark	A	B
J30J-100ZKW-S	9.7	2.4
J30J-100ZKW (12) -S	12	2.4
J30J-100ZKW (14) -S	14	2.4
J30J-100ZKW4-S	9.7	3.5
J30J-100ZKW4 (12) -S	12	3.5
J30J-100ZKW4 (14) -S	14	3.5

Note: The locking components used for the products listed in the above table are in special states, mainly P16, P26, P34, P39, P12, etc. The three-dimensional assembly drawings and dimensions drawings of these locking components are listed in the following terms.

J30J Series miniature rectangular electrical connector

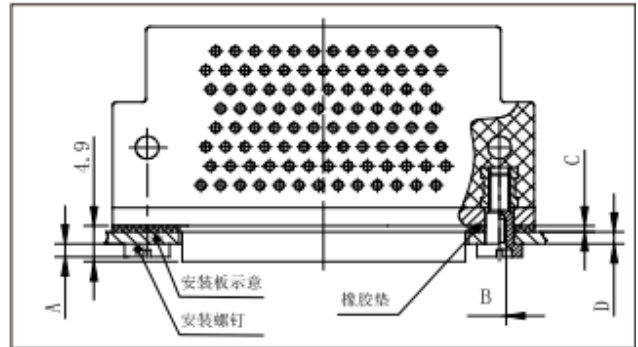
J30J-100 core special bent insert printed board products

- fitting a locking assembly
- J30J-100ZKW-S、J30J-100ZKW4-S、J30J-100ZKW (12) -S、J30J-100ZKW4 (12) -S、J30J-100ZKW(14)-S、J30J-100ZKW4 (14)-S and other types of products can be equipped with P16、P26、P34、P39、P12 and other locking components. The product model is determined by the status after the locking component model is added, for example, J30J-100ZKW4 (14) -S The product model after the P16 mounting screw is installed is J30J100ZKW4 (14) P16-S. The rest is the same.

Assembly diagram



Product dimensions drawing



- P16, P26, P34, P39, P12 type locking components

J30J Fixed end Locking assembly	A	B	Rubber pad Thickness C	Mounting plate Thickness D	Instructions	Available J30J Free end locking assembly
P16 type	1.6	#4-40UNC-2B	1	2~2.4	Rubber pad	L2, L3 type
P26 type	1.6	M2.5-6H	---	2.8	Rubber free pad	L, L7, L9, K type
P34 type	3	#4-40UNC-2B	1	1.8~2	Rubber pad	L2, L3 type
P39 type	3	M2-6H	---	1.6~1.8	Rubber free pad	L, L7, L9, K type
P12 type	4.1	#4-40UNC-2B	---	0.6~0.8	Rubber free pad	L2, L3 type

Note: Due to the special structure of the product, the above listed products in the factory, the installation hole position is unified with GB818 M2.5x6 stainless steel screw screwed into, and the product model specified in the installation screw is packaged separately with the connector factory, by the user when the use of the replacement of the screw is no longer useful, the user can abandon it.

J30J Series miniature rectangular electrical connector

J30J Series with guided J30J-× ZK-I socket and J30J-×TJ-M plug products

- J30J- × ZK-I socket with positioning guide sleeve, J30J- × TJ-M plug with positioning guide column; J30J- × ZK-I socket and corresponding number of J30J-×TJ-M plug must be used together, with good positioning and guiding function.
- Number of contact parts: 9, 15, 21, 25, 31, 37, 51, 66, 74, 100.

Product stereogram

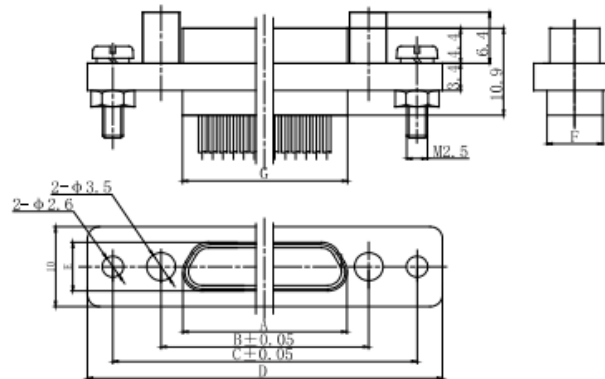


J30J-x ZK-I (Listed with 9-core as an example)



J30J-x TJ-M (listed with 9-core as an example)

Product dimensions drawing

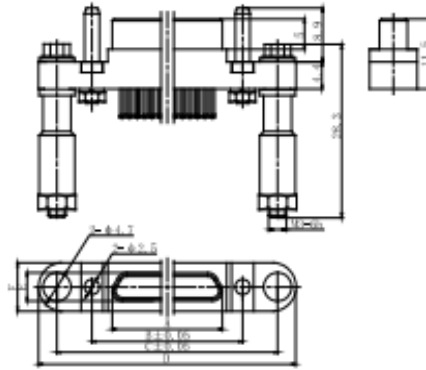


J30J- × ZK-I

dimension	A	B	C	D	E	F	G
J30J-9ZK-I	9.8	15.1	26.9	33.1	6.1	6.8	9.9
J30J-15 ZK-I	13.7	19.1	30.9	37.1	6.1	6.8	13.8
J30J-21 ZK-I	17.4	22.8	34.6	40.8	6.1	6.8	17.6
J30J-25 ZK-I	20	25.4	37.2	43.4	6.1	6.8	20.2
J30J-31 ZK-I	23.8	29.2	41	47.2	6.1	6.8	24
J30J-37 ZK-I	27.7	33	45.3	50	6.1	6.8	27.8
J30J-51 ZK-I	26.5	31.8	43.6	50	7.2	7.9	26.6
J30J-66 ZK-I	32.9	38.3	50.1	56.5	7.2	7.9	33
J30J-74 ZK-I	29	34.3	46.1	52.5	8.3	9.1	29.1
J30J-100ZK-I	36.6	41.9	53.7	60	8.2	9.1	36.65

J30J Series miniature rectangular electrical connector

Product dimensions drawing



J30J- × TJ-M

dimension	A	B	C	D	E	F
J30J-9TJ-M	8.3	15.1	26.9	33.1	4.7	8
J30J-15TJ-M	12.3	19.1	30.9	37.1	4.7	8
J30J-21TJ-M	16	22.8	34.6	40.8	4.7	8
J30J-25TJ-M	18.6	25.4	37.2	43.4	4.7	8
J30J-31TJ-M	22.4	29.2	41	47.2	4.7	8
J30J-37TJ-M	26.3	33	44.8	51	4.7	8
J30J-51TJ-M	25	31.8	43.6	50	5.8	10
J30J-66TJ-M	31.4	38.3	50.1	56.5	5.8	10
J30J-74TJ-M	27.5	34.3	46.1	52.5	6.8	10
J30J-100TJ-M	35	41.9	53.7	60	6.8	10

J30J Series miniature rectangular electrical connector

J30J Series micro rectangular electrical connector \ mounting hole size

- J30J-TJ/ZK J30J-TJ/ZK-D J30J-TJ/ZK-G J30J-TJ/ZK (9.6) J30J-TJ/ZK (11.6)
- J30J-TJ/ZK (0.07) J30JC-TJ/ZK J30JM-ZK J30JM-ZKS J30JM1-ZKS

Dimensions of mounting holes

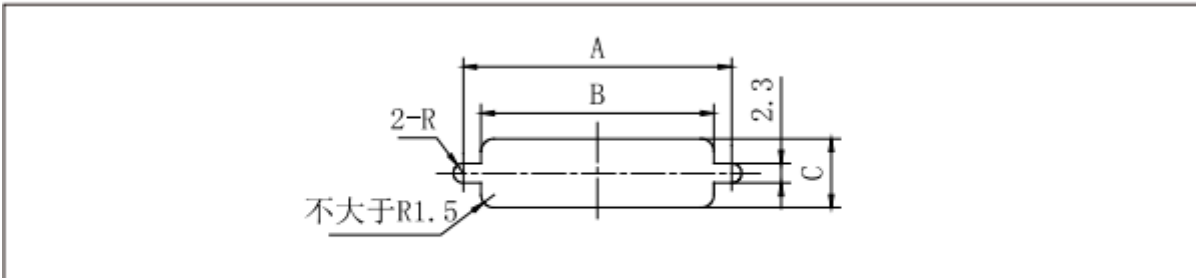
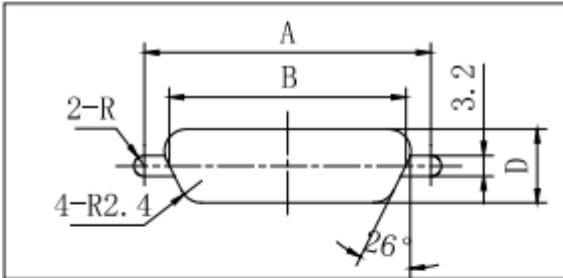
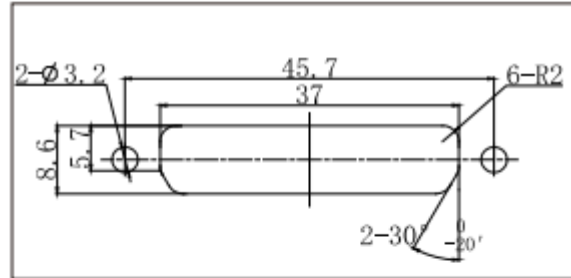


Plate front mounting hole dimensions



Rear mounting hole dimensions (except 100 cores)



100 core plate rear mounting hole size

spectrum	A	B	C	D	spectrum	A	B	C	D
9-core	14.3	10.2	7	6.3	37-core	32.2	28.1	7	6.3
15-core	18.2	14.1	7	6.3	51-core	30.86	26.9	8.1	7.4
21-core	22	17.9	7	6.3	66-core	37.3	33.4	8.1	7.4
25-core	24.5	20.5	7	6.3	74-core	33.5	29.4	9.3	8.6
31-core	28.3	24.3	7	6.3	100-core	45.7	37	9.3	/

Note: Since J30JM-ZK, J30JM-ZKS and J30JM1-ZK are all sealed products, although the opening of the mounting plate can be realized by pressing the above, the sealing may be lost because the mounting plate is a through hole plate. Therefore, the opening of the mounting plate when installing these products in front of the plate should be in the form of blind thread holes.

- J30J-TJ/ZK-Q、J30J-TJ/ZK-GQ、J30JC-ZK-Q

Dimensions of mounting holes

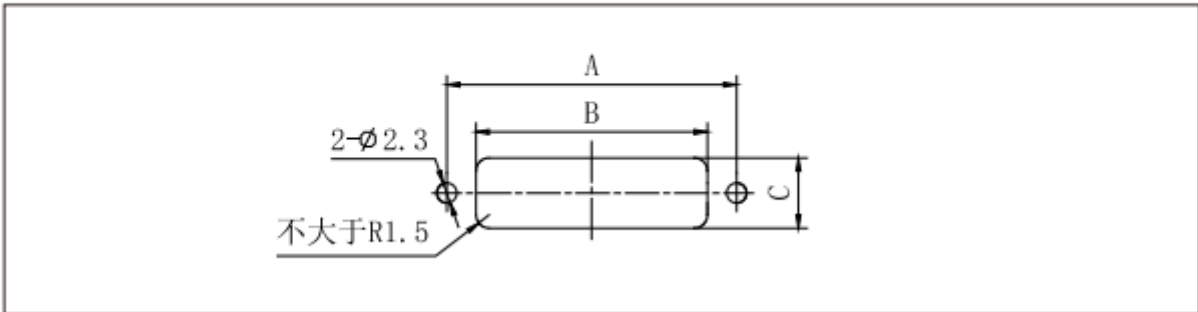
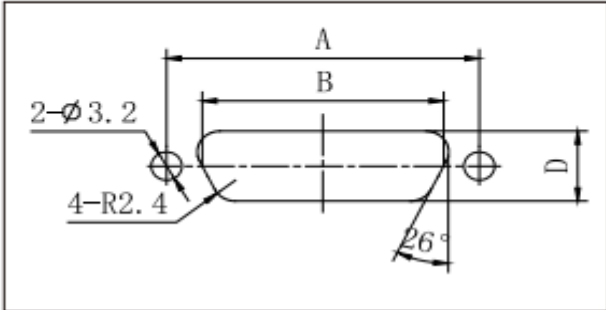


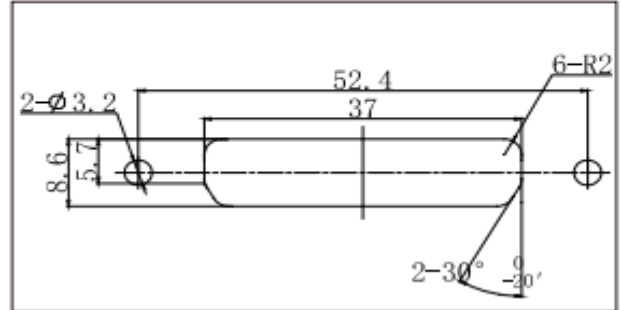
Plate front mounting hole dimensions

J30J Series miniature rectangular electrical connector

Dimensions of mounting holes



Rear mounting hole dimensions (except 100 cores)



100 core plate rear mounting hole size

spectrum	A	B	C	D	spectrum	A	B	C	D
9-core	21	10.2	7	6.3	37-core	38.9	28.1	7	6.3
15-core	24.9	14.1	7	6.3	51-core	37.6	26.9	8.1	7.4
21-core	28.7	17.9	7	6.3	66-core	44	33.4	8.1	7.4
25-core	31.2	20.5	7	6.3	74-core	40.2	29.4	9.3	8.6
31-core	35	24.3	7	6.3	100-core	52.4	37	9.3	/

■ J30J-TJ/ZK-Q8

Dimensions of mounting holes

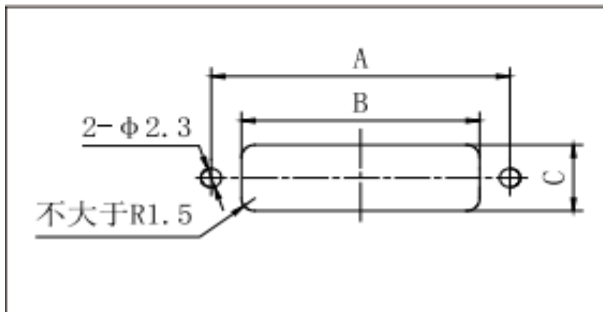


Plate front mounting hole dimensions

Dimensions of mounting holes

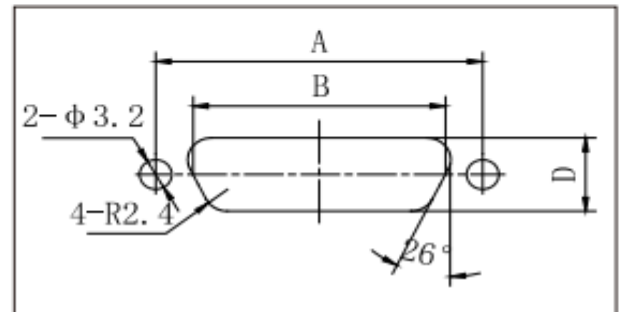


Plate rear mounting hole dimensions

spectrum	A	B	C	D	spectrum	A	B	C	D
9-core	16.1	12	7	6.3	31-core	30.1	26.1	7	6.3
15-core	20	15.9	7	6.3	37-core	34	29.9	7	6.3
21-core	23.8	19.7	7	6.3	51-core	32.6	28.7	8.1	7.4
25-core	26.3	22.3	7	6.3					

J30J Series miniature rectangular electrical connector

■ J30J-TJ/ZK-A
J30J-TJ/ZK-A (9.6)

J30J-TJ/ZK-AD
J30J-TJ/ZK-GA (11.6)

J30J-TJ/ZK-GA
J30J-TJ/ZK-AD (11.6)

Dimensions of mounting holes

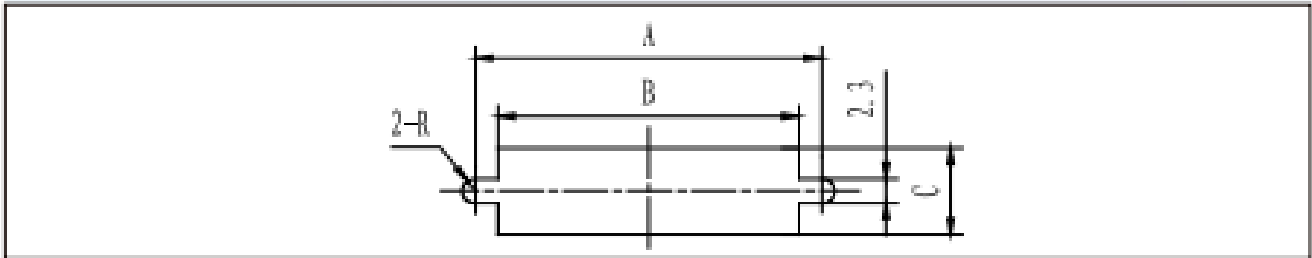
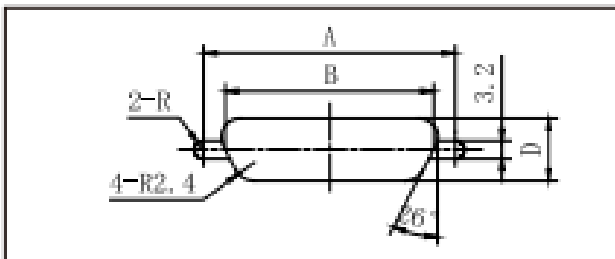
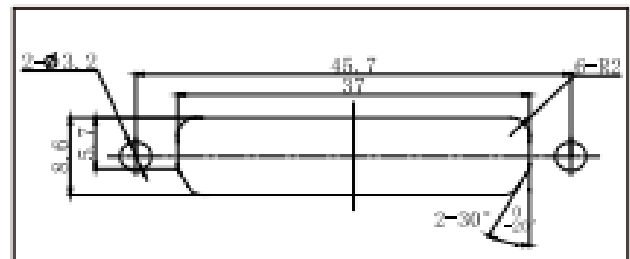


Plate front mounting hole dimensions



Rear mounting hole dimensions (except 100 cores)



100 core plate rear mounting hole size

spectrum	A	B	C	D	spectrum	A	B	C	D
9-core	14.3	10.2	8.2	6.3	37-core	32.2	28.1	8.2	6.3
15-core	18.2	14.1	8.2	6.3	51-core	30.86	26.9	9.2	7.4
21-core	22	17.9	8.2	6.3	66-core	37.3	33.4	9.2	7.4
25-core	24.5	20.5	8.2	6.3	74-core	33.5	29.4	11.2	8.6
31-core	28.3	24.3	8.2	6.3	100-core	45.7	37	11.2	/

■ J30J-TJ/ZK-AQ8

Dimensions of mounting holes

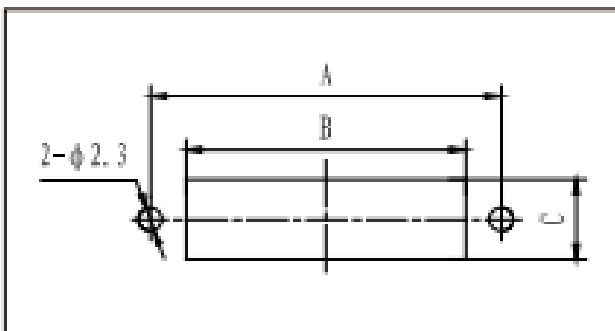


Plate front mounting hole dimensions

Dimensions of mounting holes

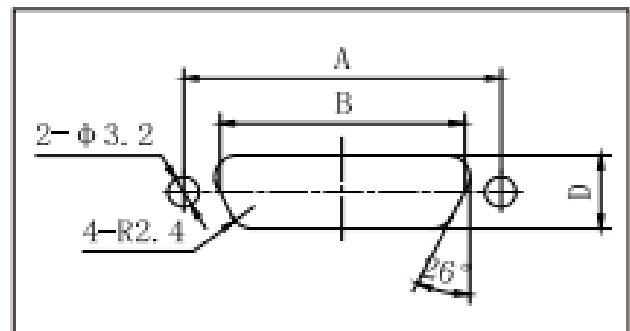


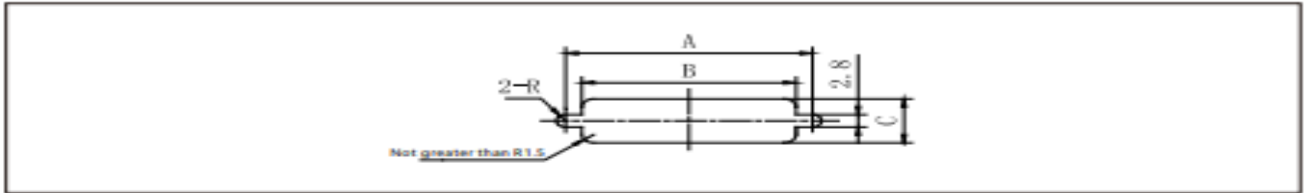
Plate rear mounting hole dimensions

spectrum	A	B	C	D	spectrum	A	B	C	D
9-core	16.1	10.2	8.2	6.3	31-core	30.1	24.3	8.2	6.3
15-core	20	14.1	8.2	6.3	37-core	34	28.1	8.2	6.3
21-core	23.8	17.9	8.2	6.3	51-core	32.6	26.9	9.2	7.4
25-core	26.3	20.5	8.2	6.3					

J30J Series miniature rectangular electrical connector

J30JA-ZK

Plate front mounting hole dimensions



spectrum	A	B	C	spectrum	A	B	C
9-core	18.6	10.2	7	51-core	35.3	26.9	8.1
15-core	22.6	14.1	7	66-core	41.7	33.5	8.1
21-core	26.3	17.9	7	74-core	37.8	29.4	9.3
25-core	28.9	20.5	7	100-core	45.3	37	9.3
31-core	32.7	24.3	7	144-core	59.3	51	9.3
37-core	36.6	28.1	7				

J30J-TJ/ZK-C

Dimensions of mounting holes

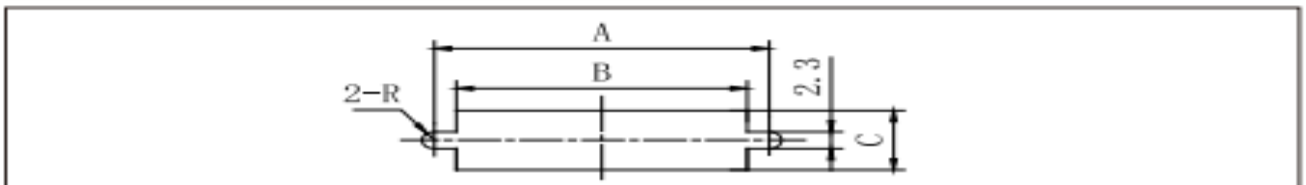
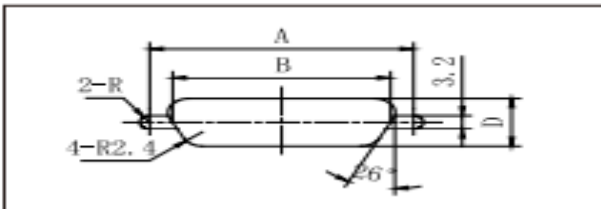


Plate front mounting hole dimensions



Rear mounting hole dimensions (except 100 cores)



100 core plate rear mounting hole size

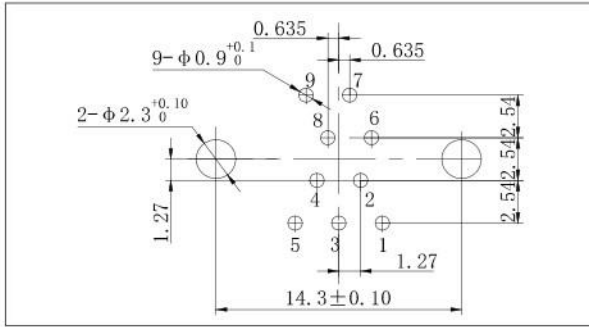
spectrum	A	B	C	D	spectrum	A	B	C	D
9-core	14.3	10.2	8.2	6.3	37-core	32.2	28.1	8.2	6.3
15-core	18.2	14.1	8.2	6.3	51-core	30.86	26.9	9.3	7.4
21-core	22	17.9	8.2	6.3	66-core	37.3	33.4	9.3	7.4
25-core	24.5	20.5	8.2	6.3	74-core	33.5	29.4	10.3	8.6
31-core	28.3	24.3	8.2	6.3	100-core	45.7	37	10.3	/

J30J Series miniature rectangular electrical connector

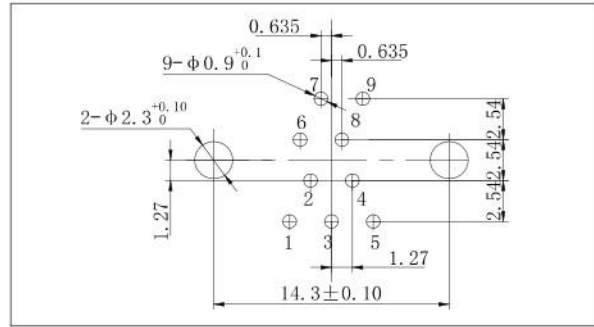
J30J Series miniature rectangular electrical connector \ printed board mounting opening size

■ J30J live printed board N, N3, N4, N8 type

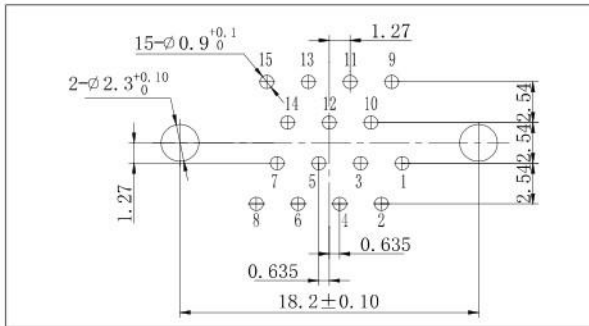
Printed board mounting hole dimensions



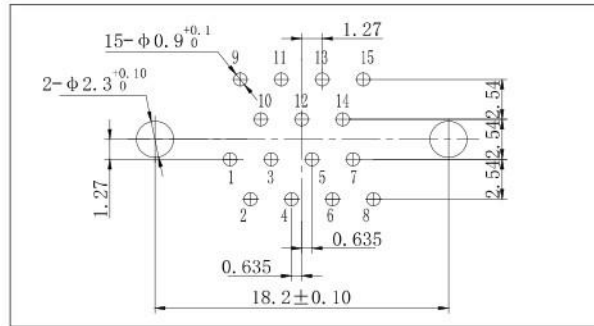
J30J-9TJN, TJN4, TJN8



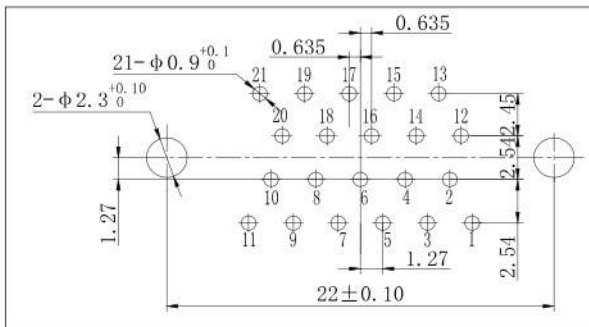
J30J-9ZKN, ZKN3, ZKN4



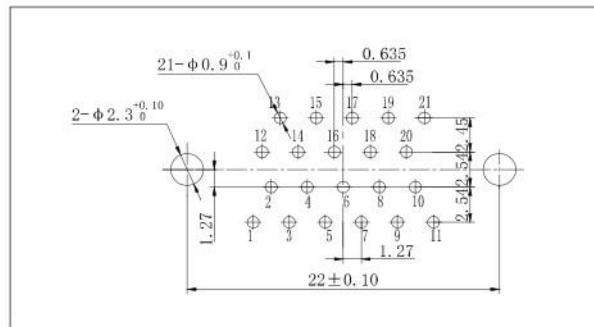
J30J-15TJN, TJN4, TJN8



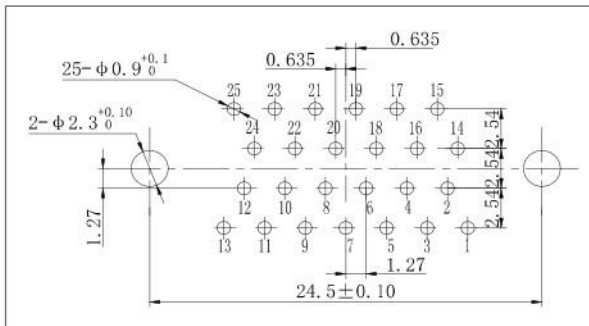
J30J-15ZKN, ZKN3, ZKN4



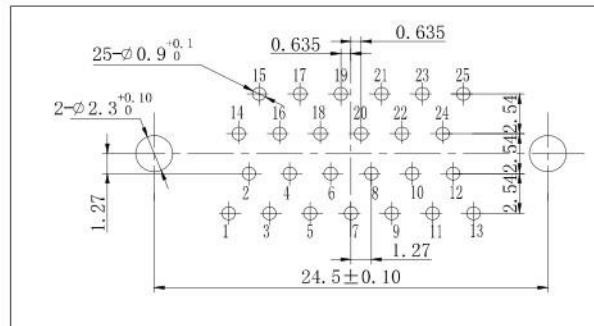
J30J-21TJN, TJN4, TJN8



J30J-21ZKN, ZKN3, ZKN4



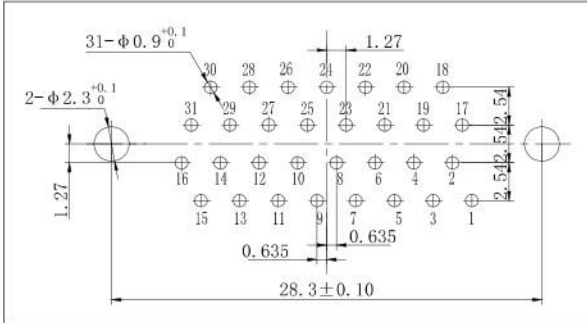
J30J-25TJN, TJN4, TJN8



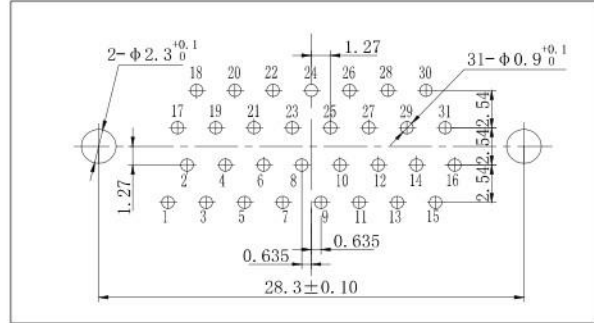
J30J-25ZKN, ZKN3, ZKN4

J30J Series miniature rectangular electrical connector

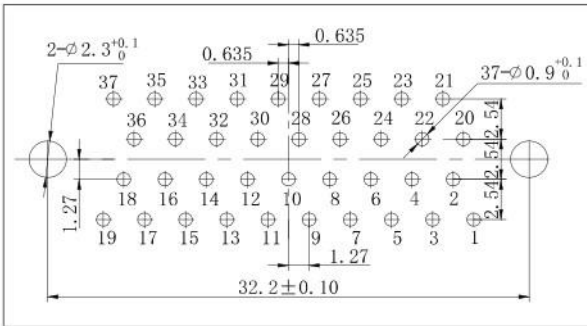
Printed board mounting hole dimensions



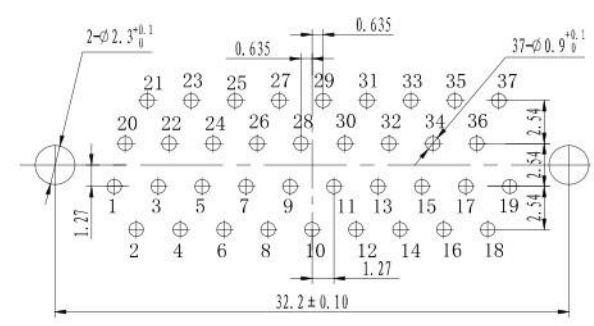
J30J-31TJN, TJN4, TJN8



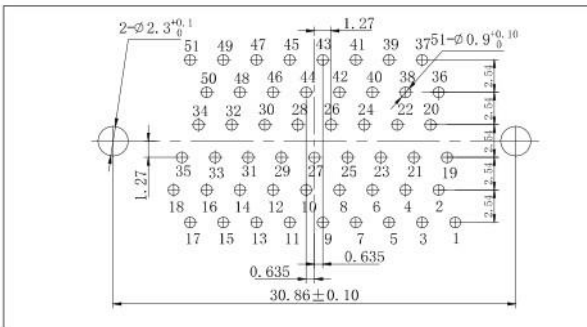
J30J-31ZKN, ZKN3, ZKN4



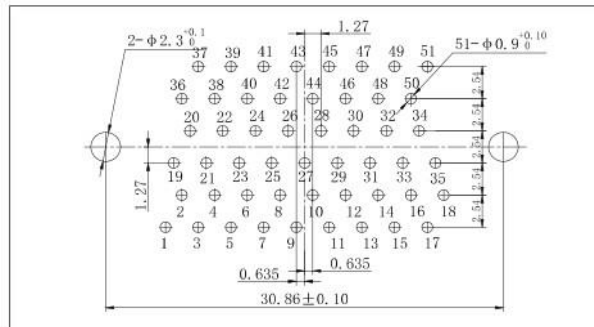
J30J-37TJN, TJN4, TJN8



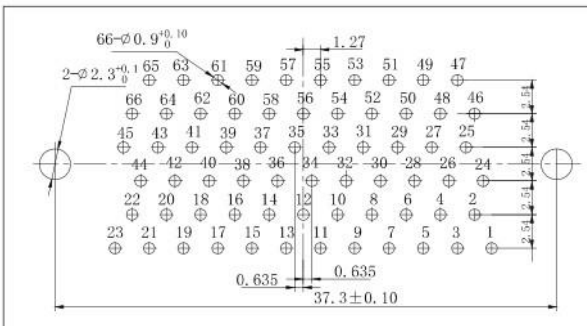
J30J-37ZKN, ZKN3, ZKN4



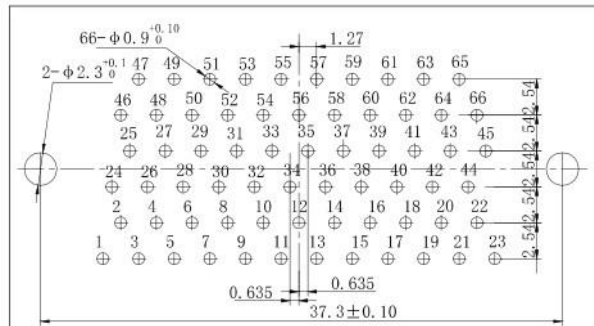
J30J-51TJN, TJN4



J30J-51ZKN, ZKN3, ZKN4



J30J-66TJN, TJN4



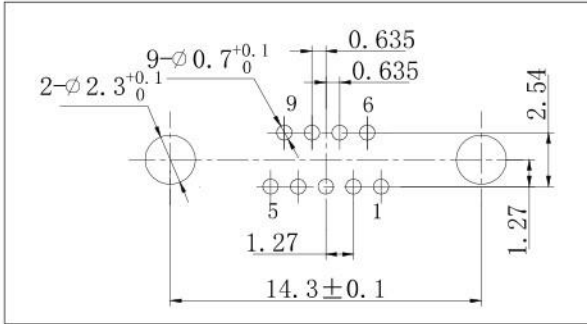
J30J-66ZKN, ZKN3, ZKN4

J30J Series miniature rectangular electrical connector

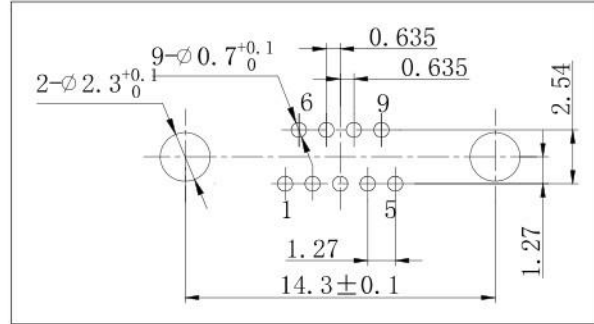
J30J Series micro rectangular electrical connector \ printed board mounting opening size

■ J30J in-line printed board N-J, N4-J type

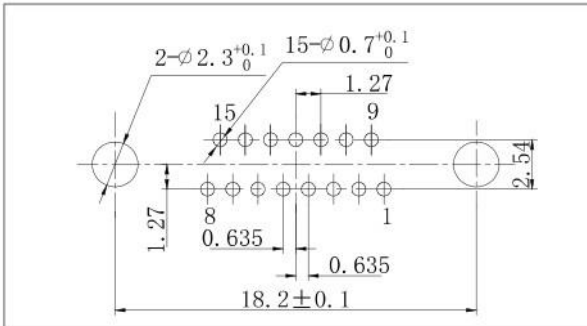
Printed board mounting hole dimensions



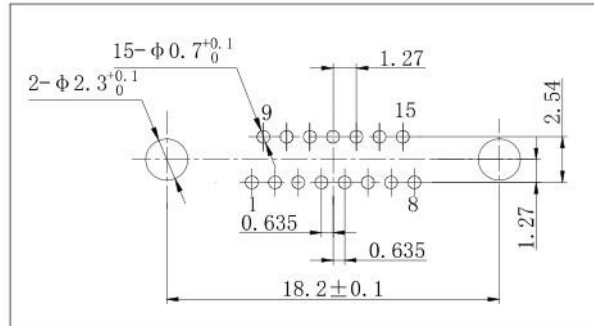
J30J-9TJN-J



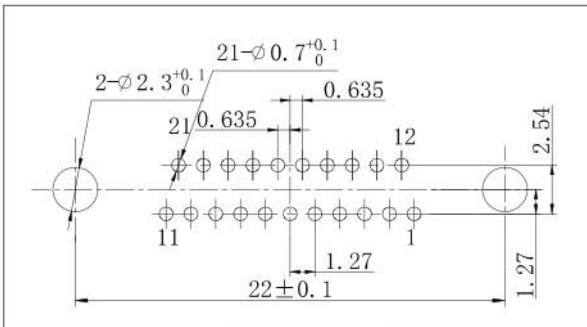
J30J-9ZKN-J、ZKN4-J



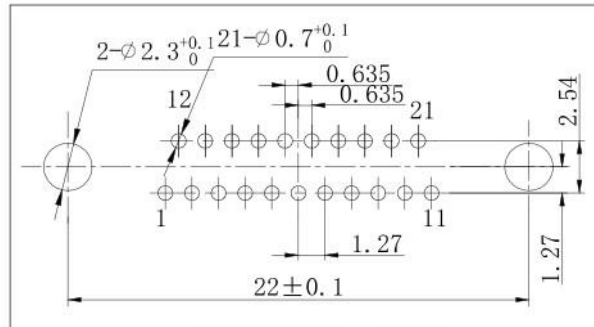
J30J-15TJN-J



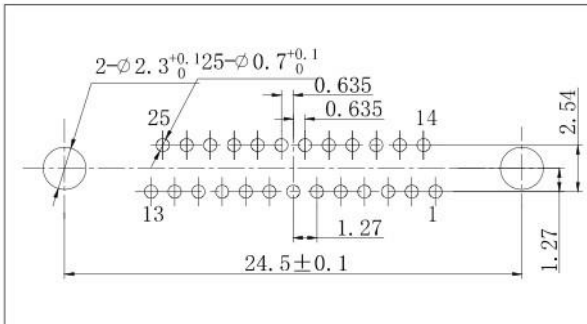
J30J-15ZKN-J、ZKN4-J



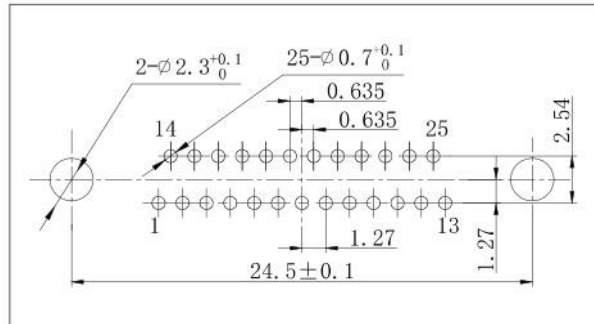
J30J-21TJN-J



J30J-21ZKN-J、ZKN4-J



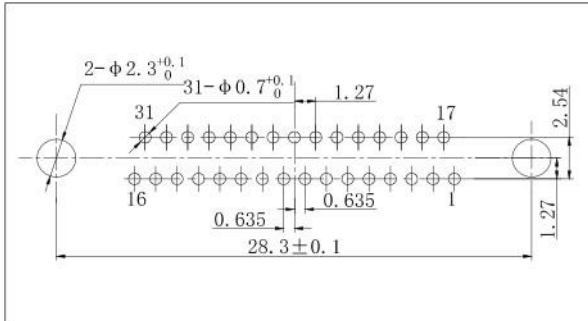
J30J-25TJN-J



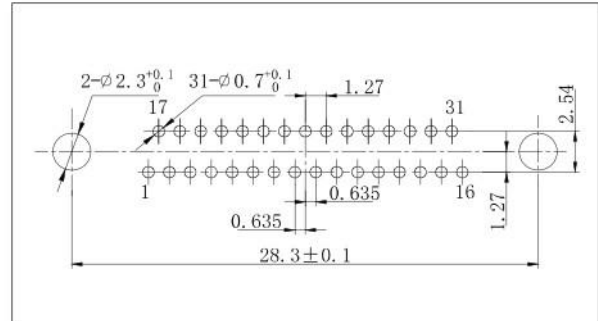
J30J-25ZKN-J、ZKN4-J

J30J Series miniature rectangular electrical connector

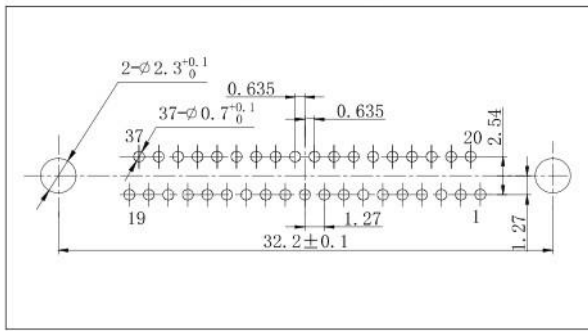
Printed board mounting hole dimensions



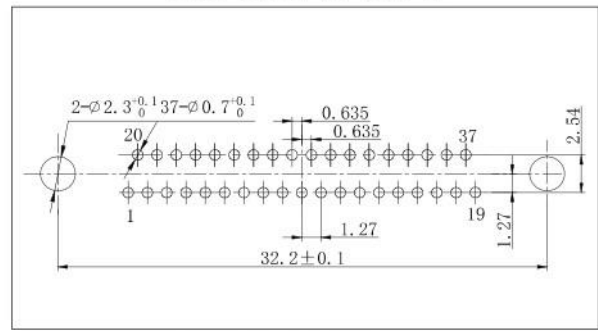
J30J-31TJN-J



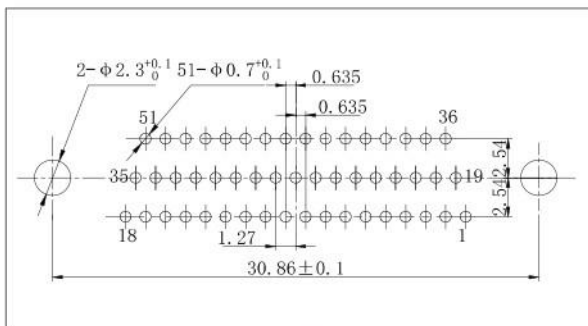
J30J-31ZKN-J、ZKN4-J



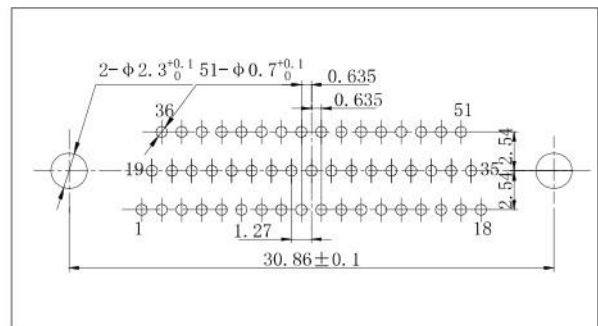
J30J-37TJN-J



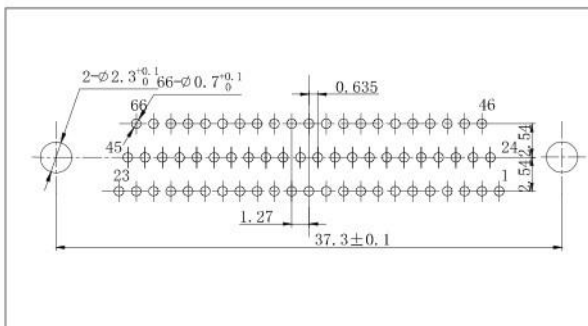
J30J-37ZKN-J、ZKN4-J



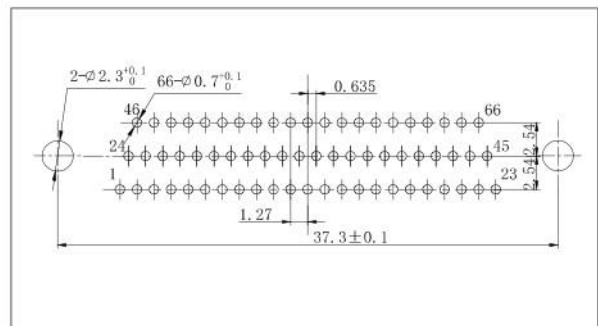
J30J-51TJN-J



J30J-51ZKN-J、ZKN4-J



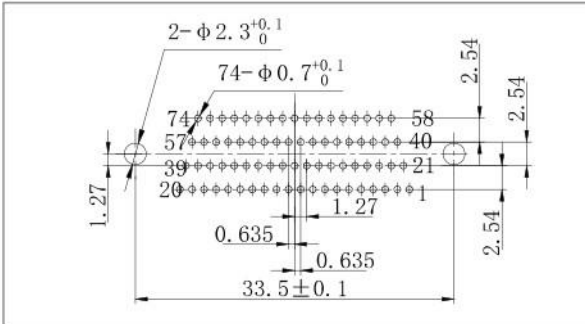
J30J-66TJN-J



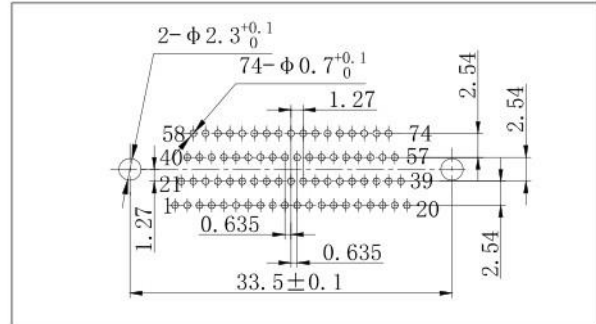
J30J-66ZKN-J、ZKN4-J

J30J Series miniature rectangular electrical connector

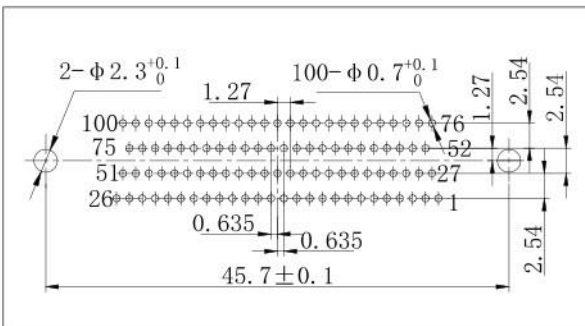
Printed board mounting hole dimensions



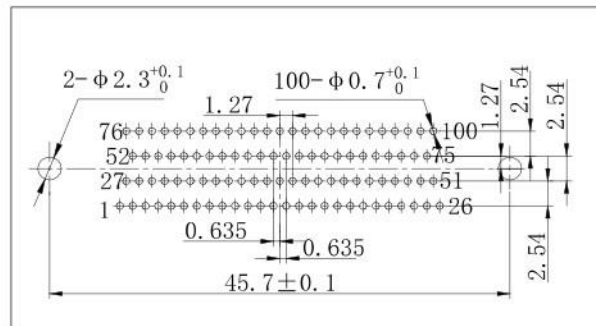
J30J-74TJN-J



J30J-74ZKN-J、ZKN4-J



J30J-100TJN-J



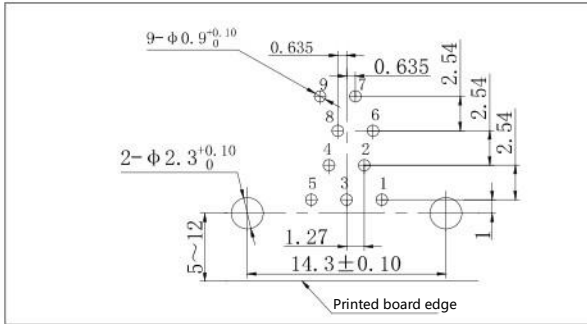
J30J-100ZKN-J、ZKN4-J

J30J Series miniature rectangular electrical connector

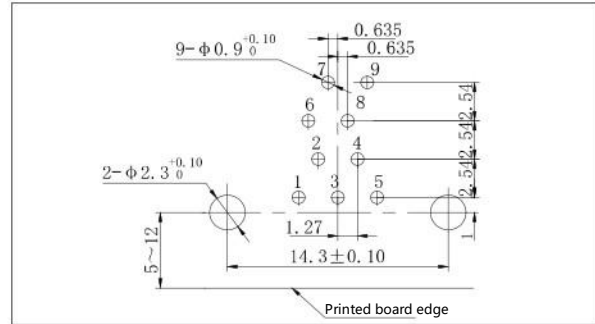
J30J Series miniature rectangular electrical connector \ printed board mounting opening size

■ J30J curved insert printed board W type

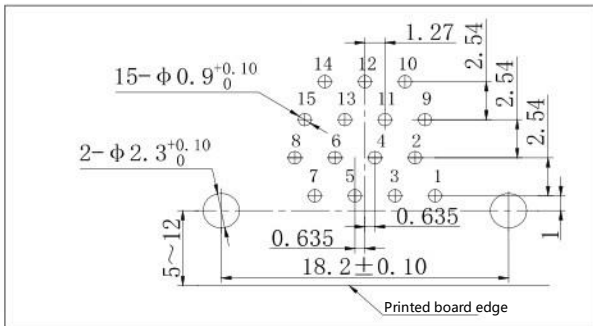
Printed board mounting hole dimensions



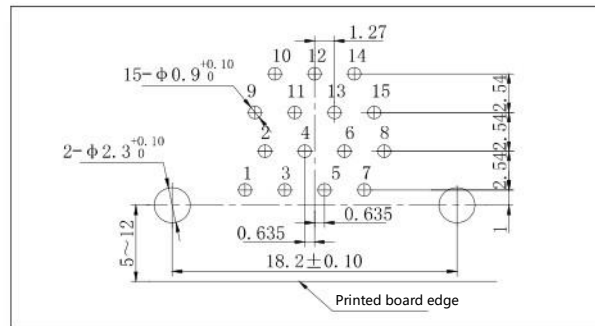
J30J-9TJW



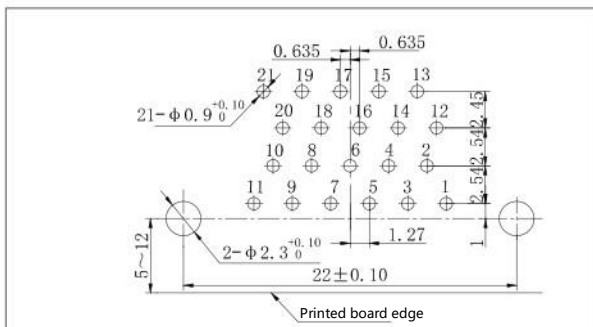
J30J-9ZKW



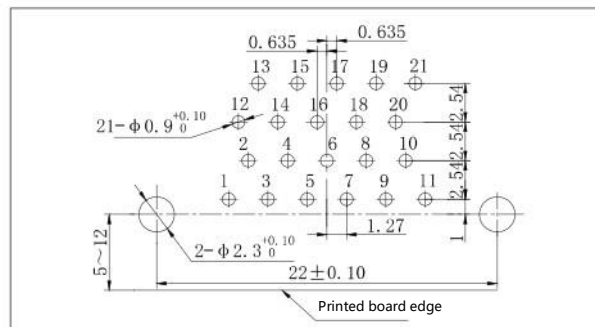
J30J-15TJW



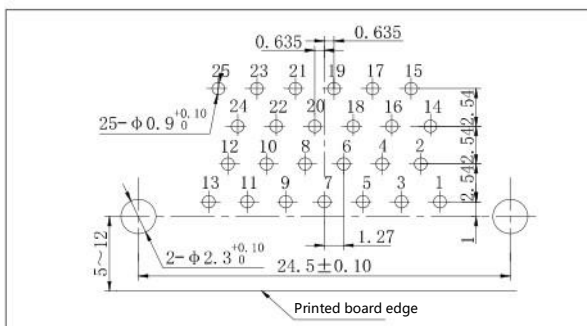
J30J-15ZKW



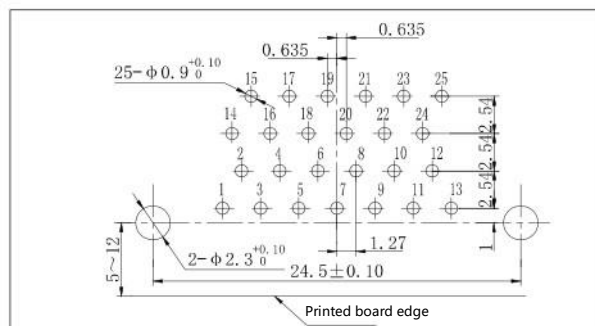
J30J-21TJW



J30J-21ZKW



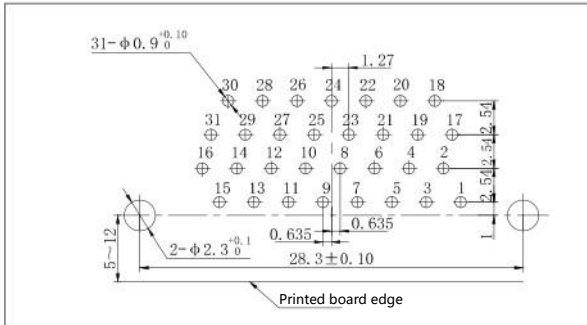
J30J-25TJW



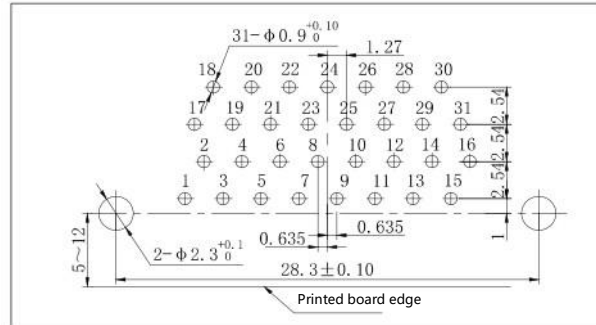
J30J-25ZKW

J30J Series miniature rectangular electrical connector

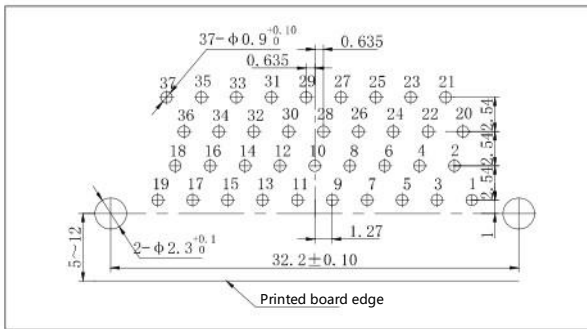
Printed board mounting hole dimensions



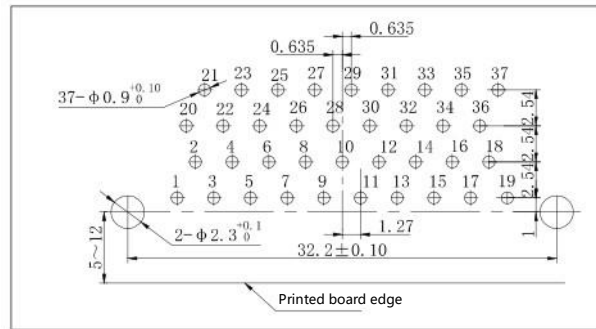
J30J-31TJW



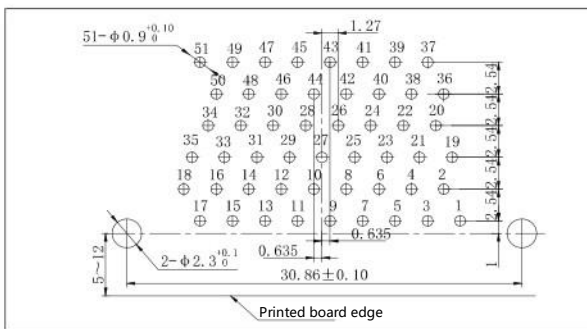
J30J-31ZKW



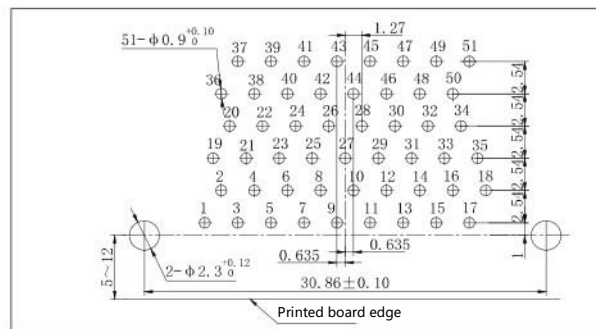
J30J-37TJW



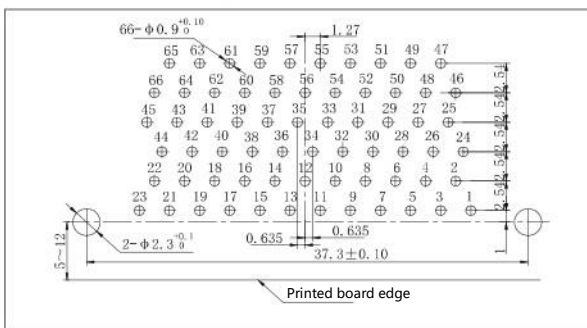
J30J-37ZKW



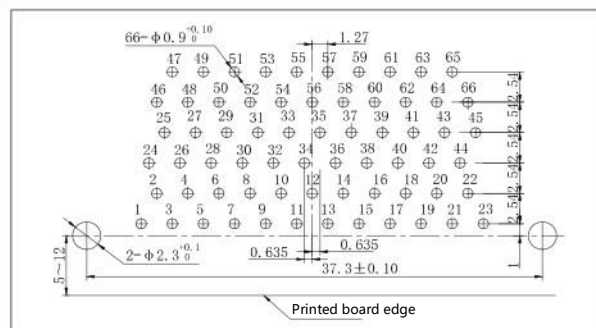
J30J-51TJW



J30J-51ZKW



J30J-66TJW



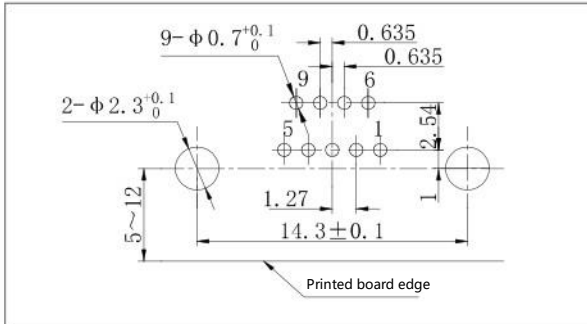
J30J-66ZKW

J30J Series miniature rectangular electrical connector

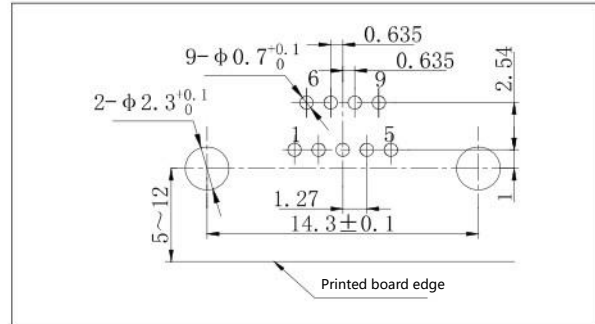
J30J Series miniature rectangular electrical connector \ printed board mounting opening size

■ J30J curved insert printed board W-J type

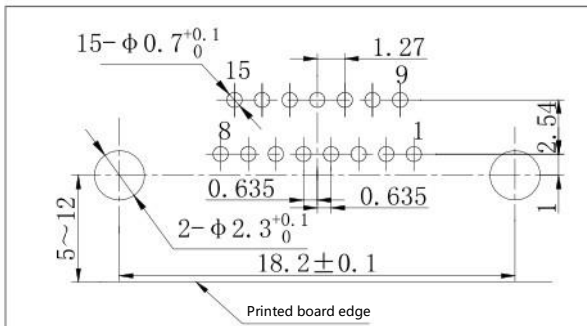
Printed board mounting hole dimensions



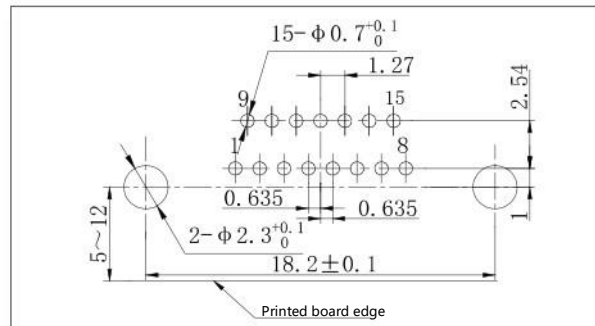
J30J-9TJW-J



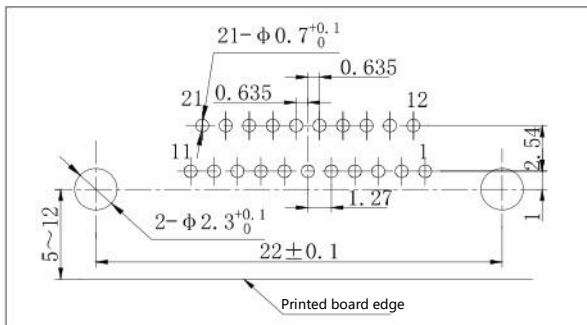
J30J-9ZKW-J



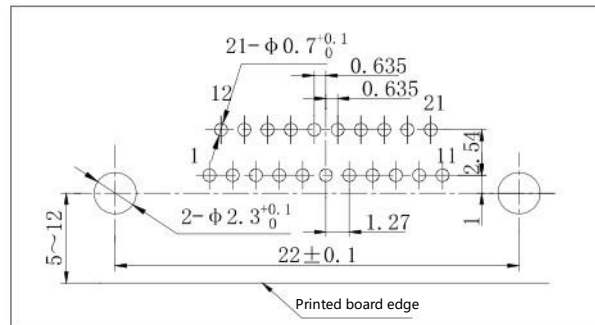
J30J-15TJW-J



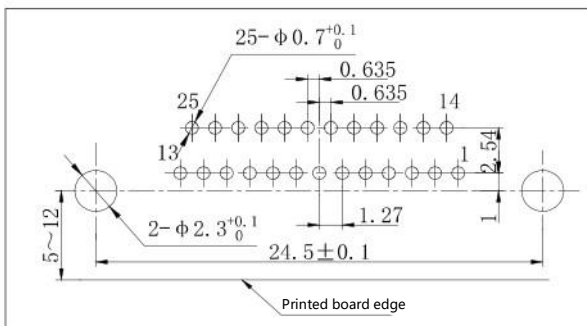
J30J-15ZKW-J



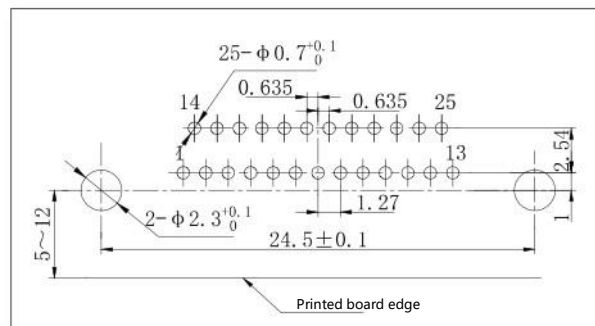
J30J-21TJW-J



J30J-21ZKW-J



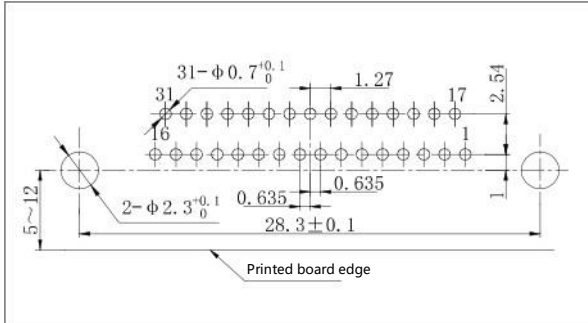
J30J-25TJW-J



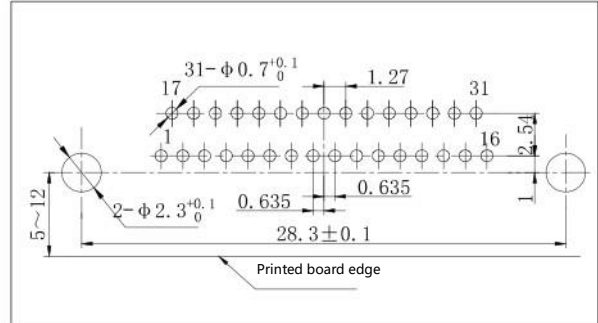
J30J-25ZKW-J

J30J Series miniature rectangular electrical connector

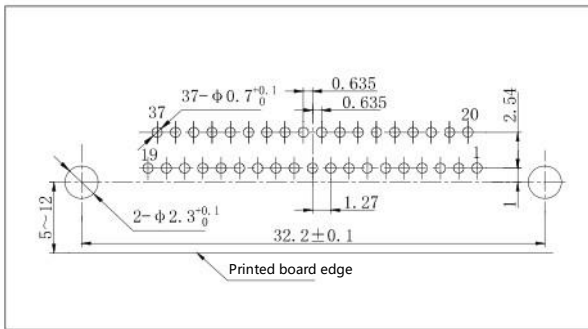
Printed board mounting hole dimensions



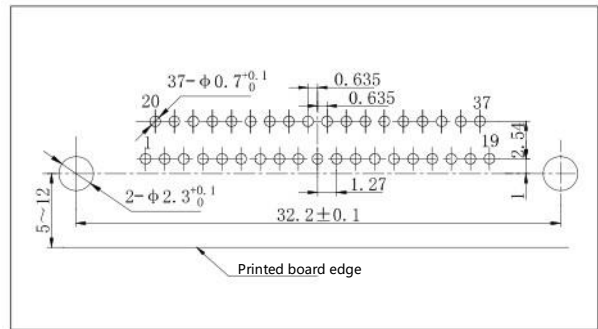
J30J-31TJW-J



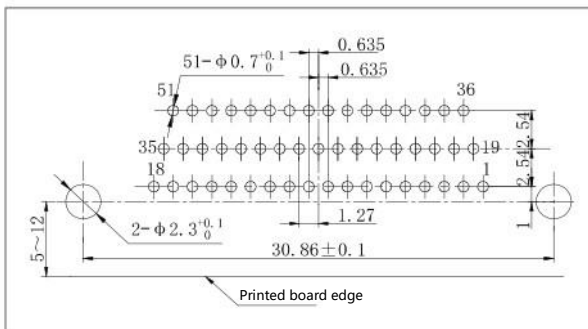
J30J-31ZKW-J



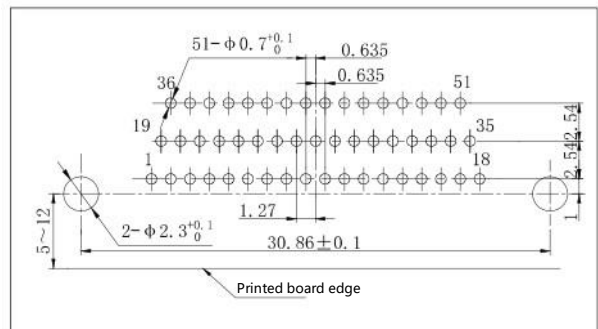
J30J-37TJW-J



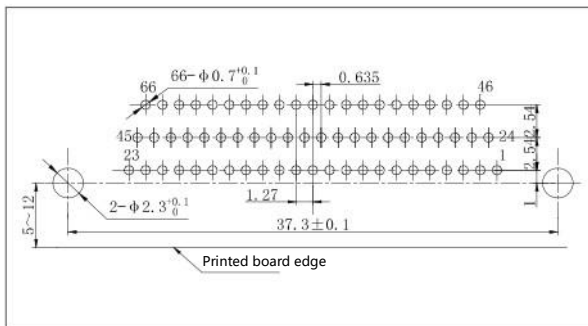
J30J-37ZKW-J



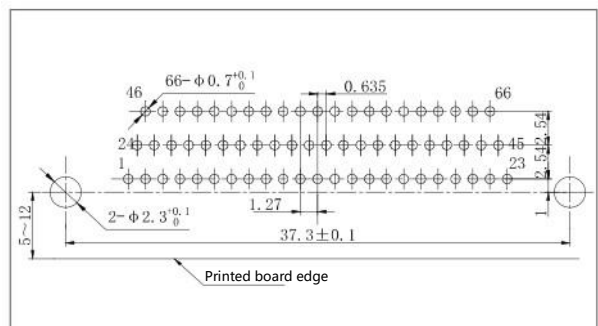
J30J-51TJW-J



J30J-51ZKW-J



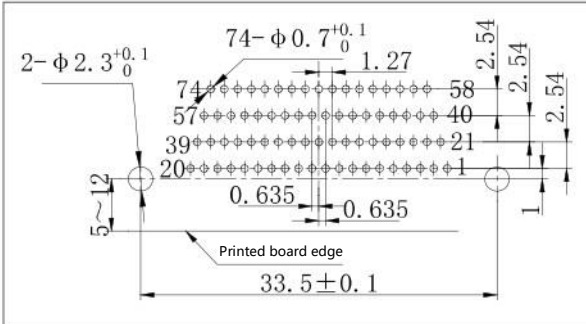
J30J-66TJW-J



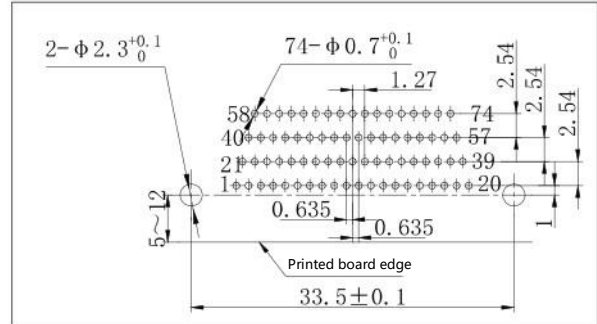
J30J-66ZKW-J

J30J Series miniature rectangular electrical connector

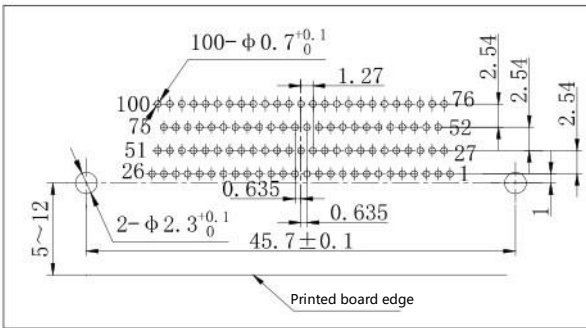
Printed board mounting hole dimensions



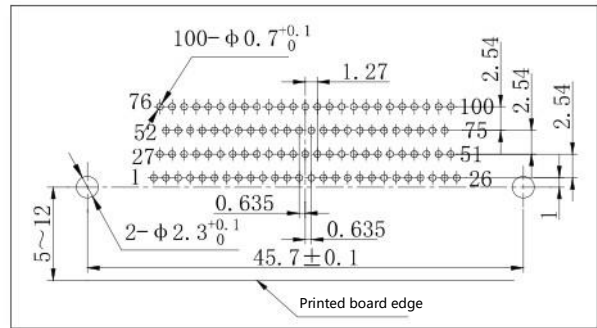
J30J-74TJW-J



J30J-74ZKW-J



J30J-100TJW-J



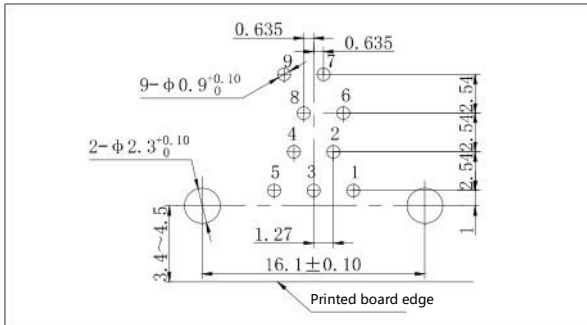
J30J-100ZKW-J

J30J Series miniature rectangular electrical connector

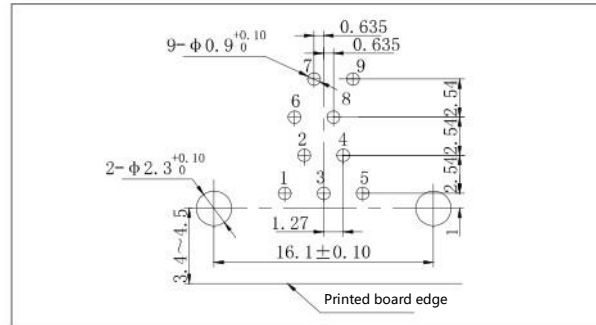
J30J Series miniature rectangular electrical connector \ printed board mounting opening size

■ J30J curved insert printed board W-Q8

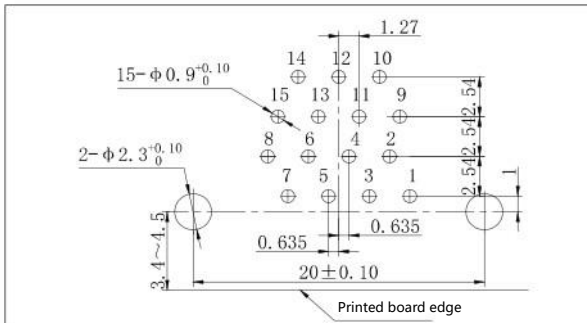
Printed board mounting hole dimensions



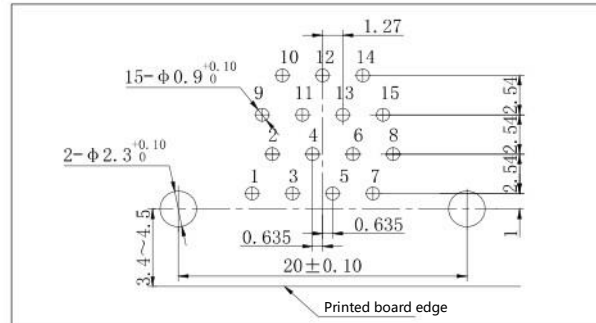
J30J-9TJW-Q8



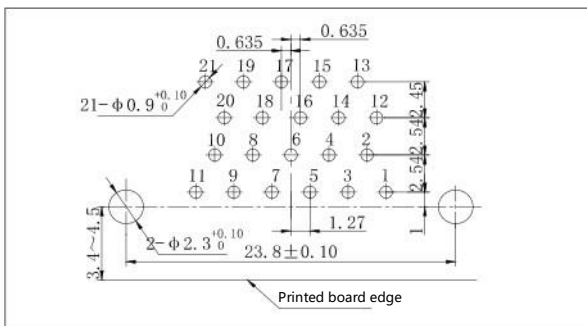
J30J-9ZKW-Q8



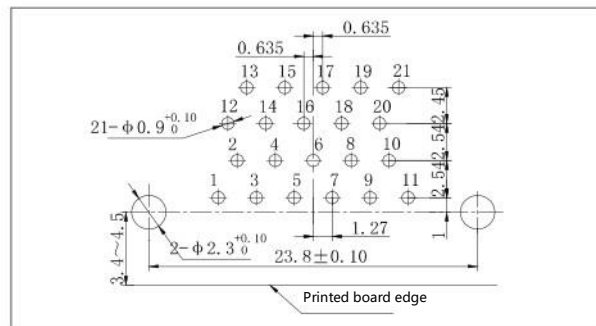
J30J-15TJW-Q8



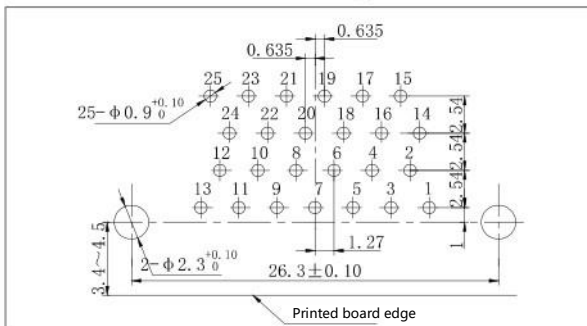
J30J-15ZKW-Q8



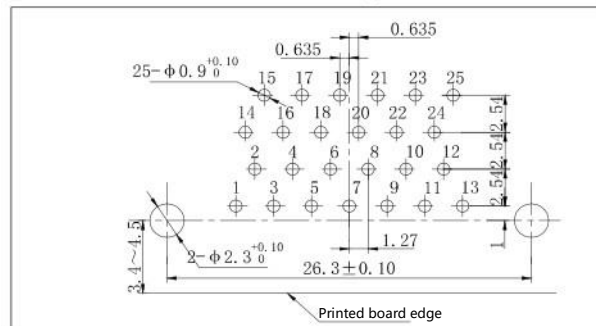
J30J-21TJW-Q8



J30J-21ZKW-Q8



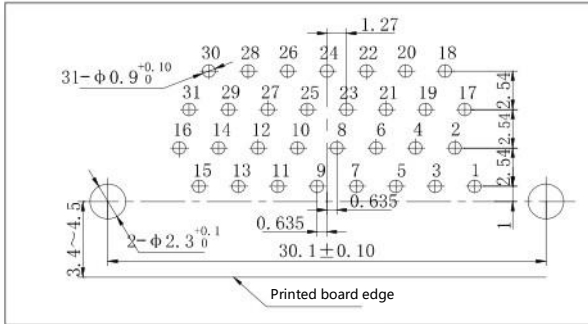
J30J-25TJW-Q8



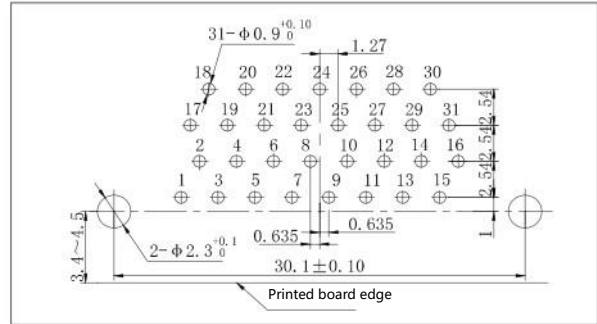
J30J-25ZKW-Q8

J30J Series miniature rectangular electrical connector

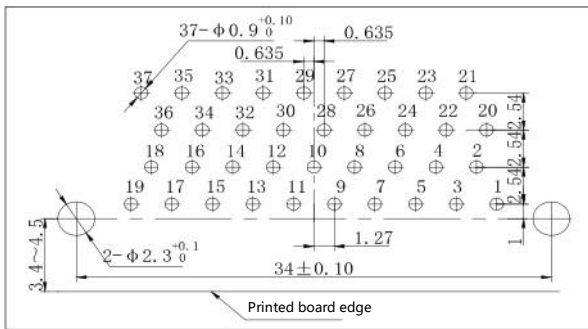
Printed board mounting hole dimensions



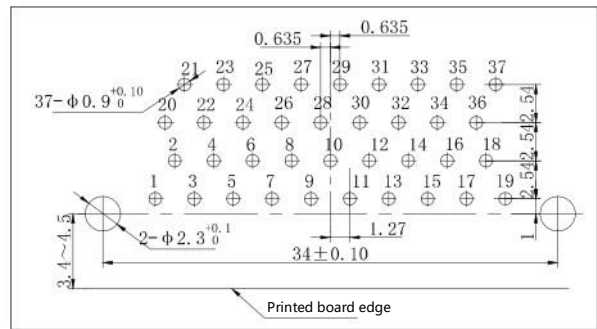
J30J-31TJW-Q8



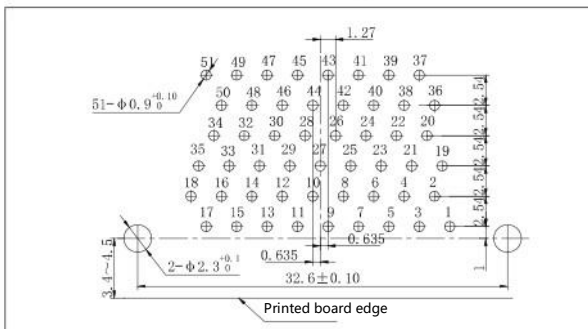
J30J-31ZKW-Q8



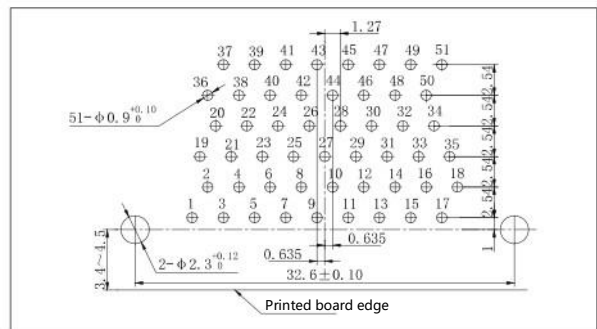
J30J-37TJW-Q8



J30J-37ZKW-Q8



J30J-51TJW-Q8



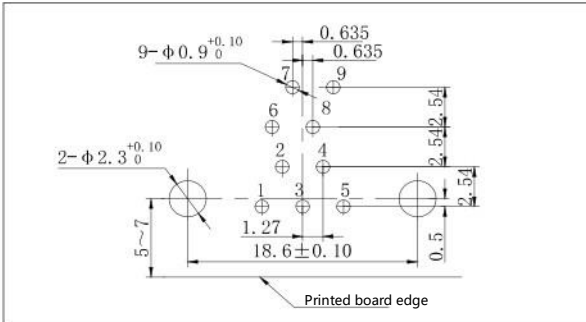
J30J-51ZKW-Q8

J30J Series miniature rectangular electrical connector

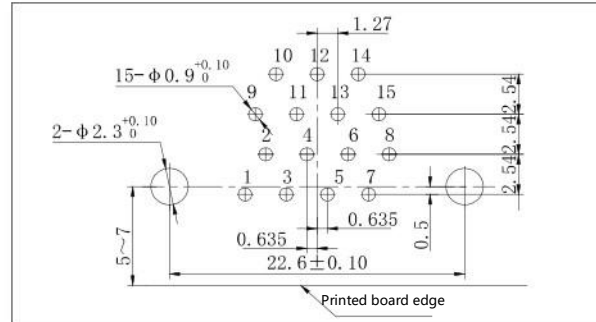
J30J Series micro rectangular electrical connector \ printed board mounting opening size

■ J30JA curved insert printed board W type

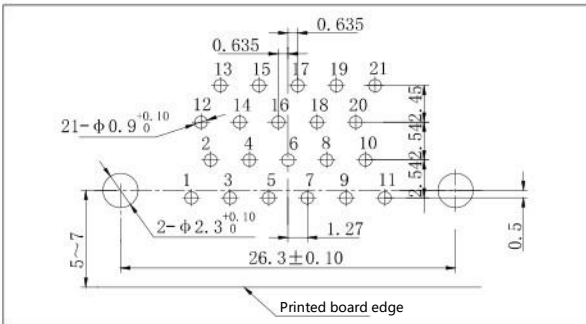
Printed board mounting hole dimensions



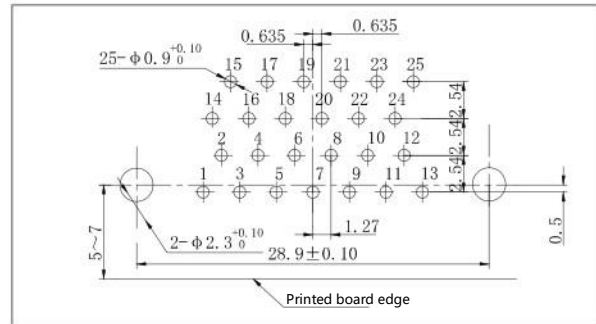
J30JA-9ZKW



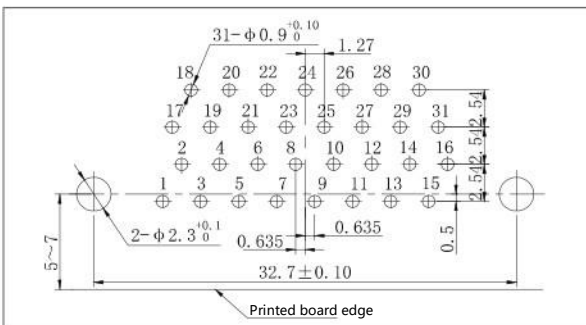
J30JA-15ZKW



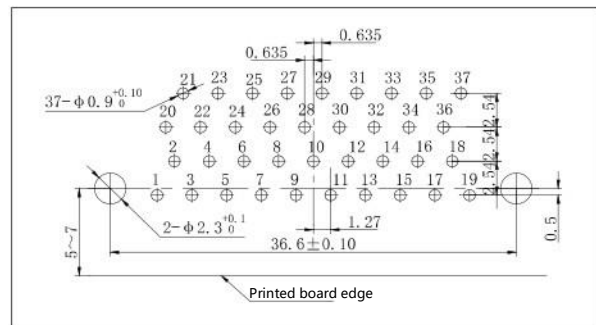
J30JA-21ZKW



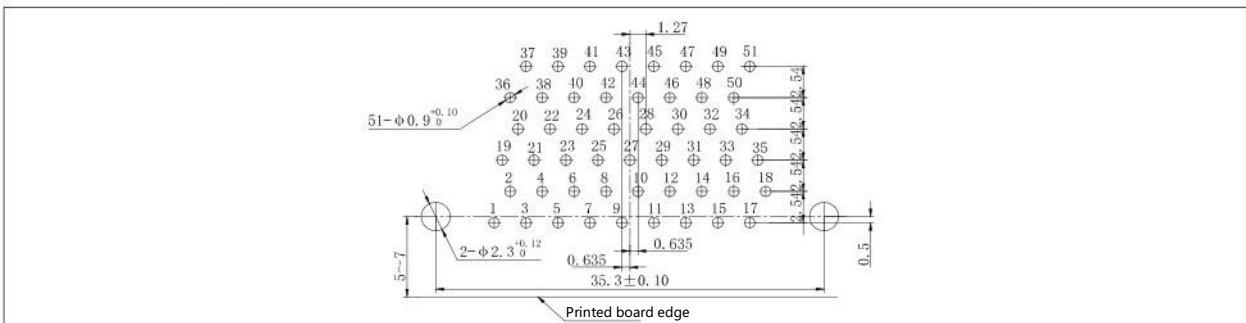
J30JA-25ZKW



J30JA-31ZKW



J30JA-37ZKW



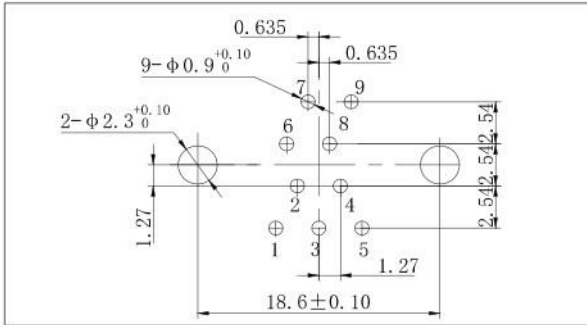
J30JA-51ZKW

J30J Series miniature rectangular electrical connector

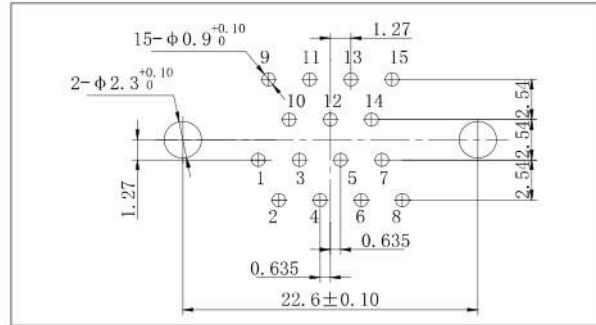
J30J Series miniature rectangular electrical connector \ printed board mounting opening size

■ J30JA live printed board Type N

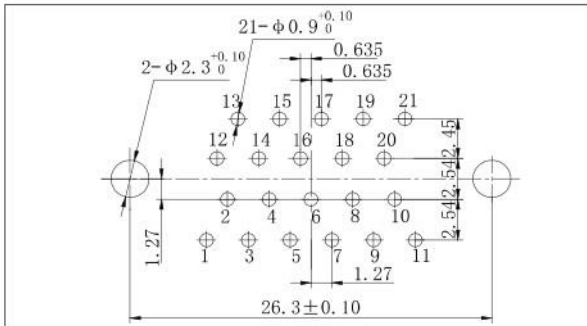
Printed board mounting hole dimensions



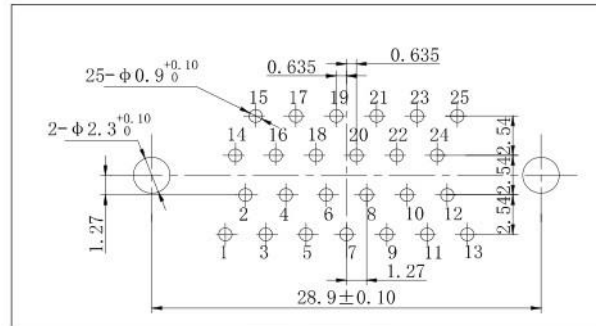
J30JA-9ZKN



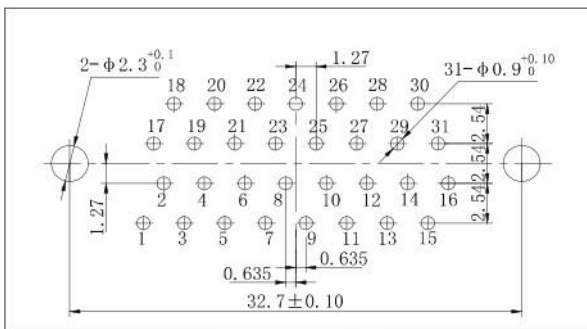
J30JA-15ZKN



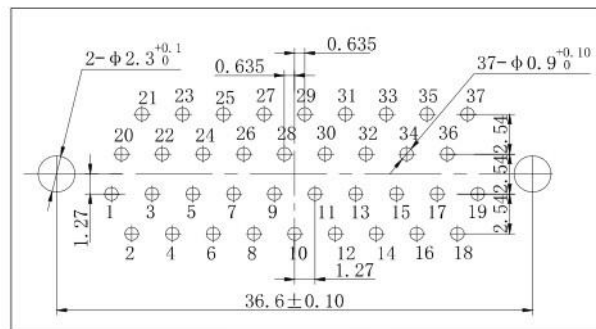
J30JA-21ZKN



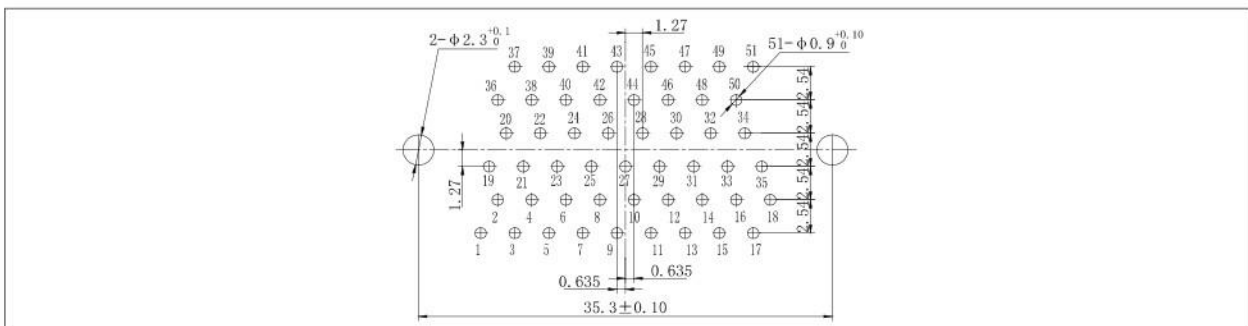
J30JA-25ZKN



J30JA-31ZKN



J30JA-37ZKN



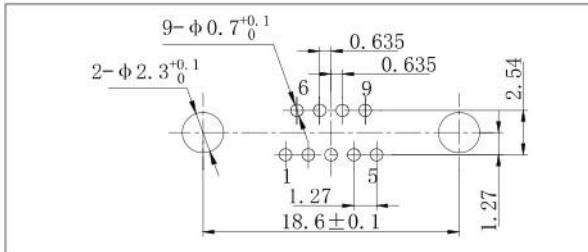
J30JA-51ZKN

J30J Series miniature rectangular electrical connector

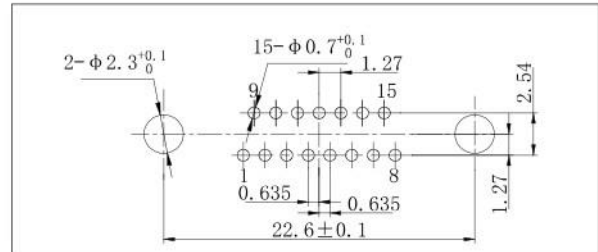
J30J Series miniature rectangular electrical connector \ printed board mounting opening size

■ J30JA live printed board N-J

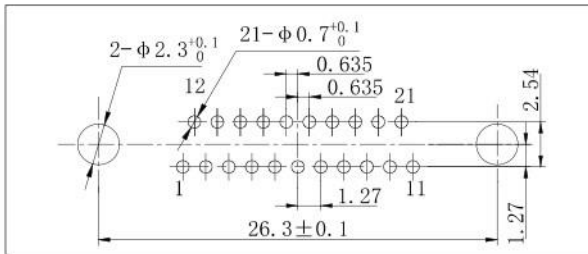
Printed board mounting hole dimensions



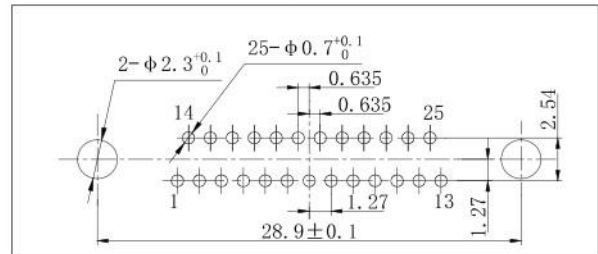
J30JA-9ZKN-J



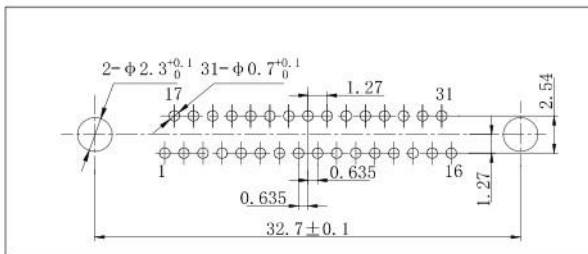
J30JA-15ZKN-J



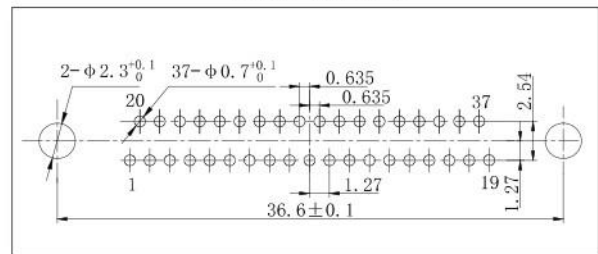
J30JA-21ZKN-J



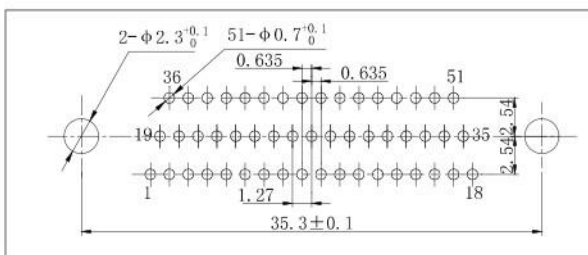
J30JA-25ZKN-J



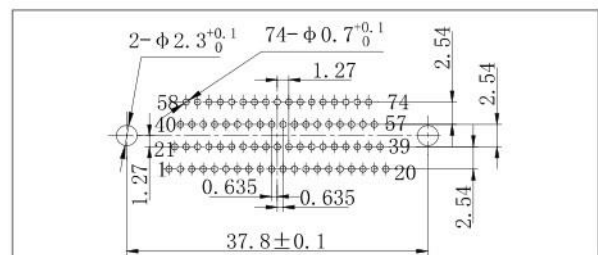
J30JA-31ZKN-J



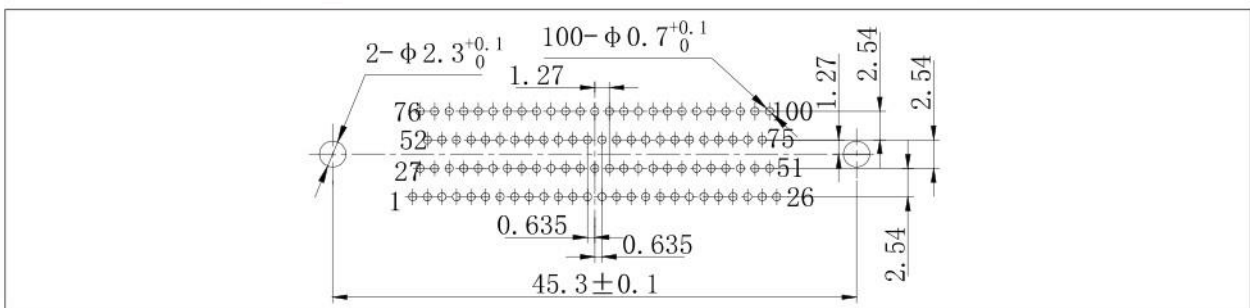
J30JA-37ZKN-J



J30JA-51ZKN-J



J30JA-74ZKN-J



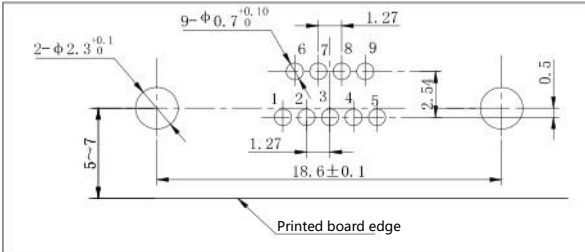
J30JA-100ZKN-J

J30J Series miniature rectangular electrical connector

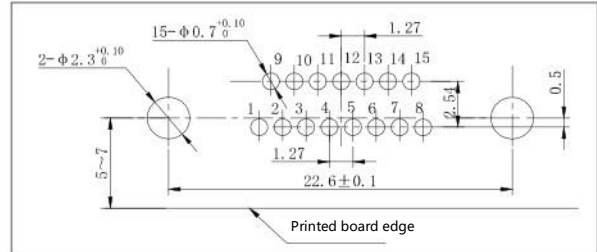
J30J Series miniature rectangular electrical connector \ printed board mounting opening size

■ J30JA curved insert printed board W-J

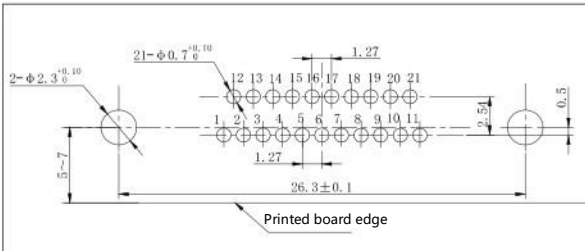
J30JA curved insert printed board W-J



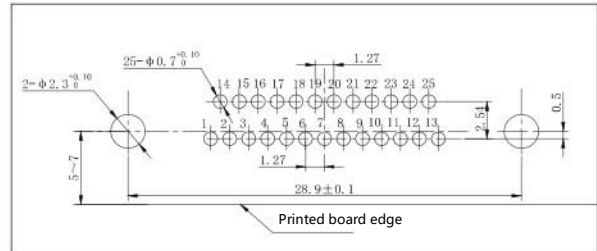
J30JA-9ZKW-J



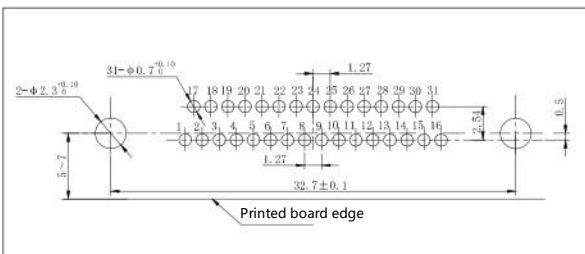
J30JA-15ZKW-J



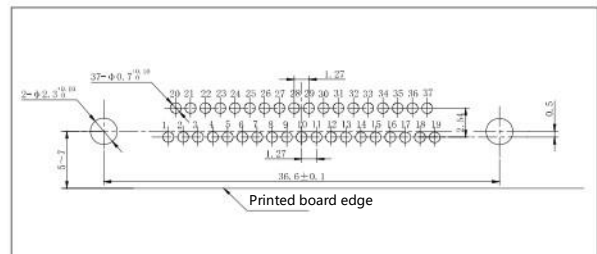
J30JA-21ZKW-J



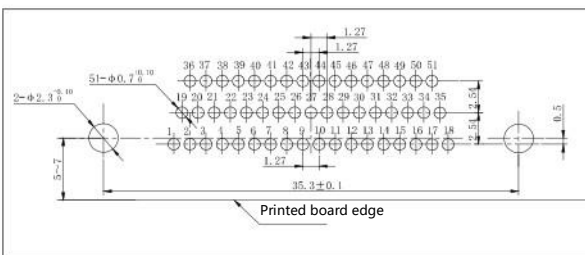
J30JA-25ZKW-J



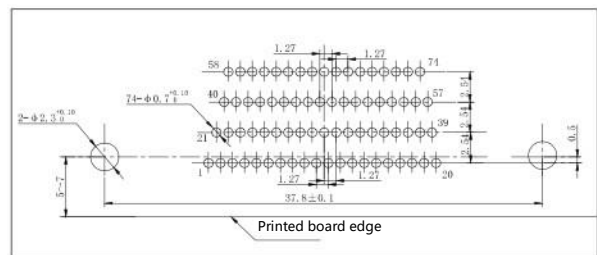
J30JA-31ZKW-J



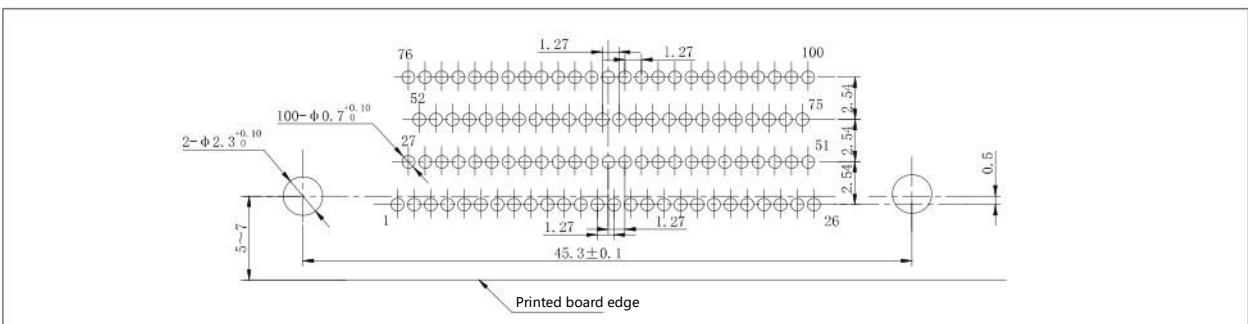
J30JA-37ZKW-J



J30JA-51ZKW-J



J30JA-74ZKW-J



J30JA-100ZKW-J

J30J/X Large core number, high reliability and long life series of miniature rectangular electrical connectors

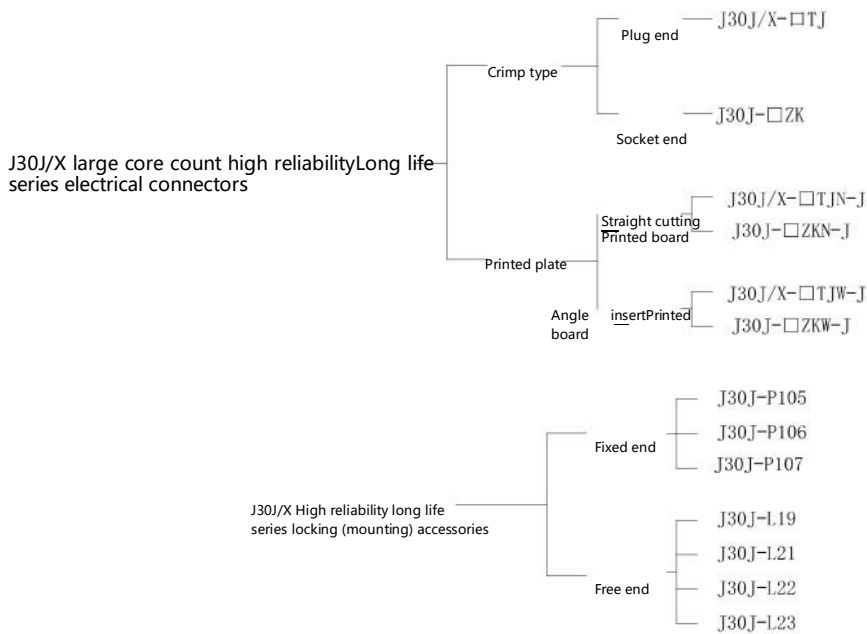
Brief introduction of characteristics

- Core number: 164, 204, 256, 300 core a total of four specifications;
- End end connection form: crimp type, bent insert printing plate and live printing plate;
- Low inserting and pulling force twisted elastic needle (twist needle), high contact density, low inserting and pulling force, small product shape;
- Plate hole arrangement: four rows of symmetrical arrangement, spacing x row distance = 1.27mm x 1.1mm; Conductor
- core cross-sectional area: 0.10mm²~0.15mm²

Technical characteristics

- Operating temperature: -55°C~ +125°C Rated
- current: 3A
- Working voltage: 220V
- Contact resistance: ≤10mΩ
- Insulation resistance: ≥ 5000M Ω (500VDC)
- Medium voltage: 800V
- Mechanical life: 20000 times Salt spray: 48h
- oscillate: 10Hz ~ 2000Hz 196m/S²
- Random vibration: Power spectral density 0.4G²/Hz total speed root mean square value of 23.1G²
- Impact: 735m/S², 11ms
- Insertion force and separation force of contact parts: maximum insertion force: 0.5N, minimum separation force: 0.05N
- The meshing force and separation force of the connector: the maximum meshing force and separation force ≤ 0.6N × n (n is the number of contacts)

Product family tree



J30J/X Large core number, high reliability and long life series of miniature rectangular electrical connectors

Order mark

<u>J30J</u>	<u>/X</u>	-	<u>×</u>	<u>TJ</u>	<u>×</u>	<u>×</u>
<u>J30J</u>		-	<u>×</u>	<u>ZK</u>	<u>×</u>	<u>×</u>
①	②		③	④	⑤	⑥

- ① Main name code: J30J- Micro rectangular electrical connector
- ② Category Number: /X- Low insertion and withdrawal force (for plug end) Not indicated - for socket end.
- ③ Number of contact parts: 164, 204, 256, 300
- ④ Connector and contact type: TJ- Plug insert pin ZK- Socket with jack
- ⑤ Contact end form: does not indicate a crimp
W-j-bent-insert printed board (pin arrangement spacing: 1.27×2.54)
N-J printed board (pin arrangement spacing: 1.27 × 2.54)
- ⑥ Locking assembly: L19- with locking screw that does not come out
L21 ~ L23- Locking assembly with clasp (recommended)
P105- With mounting screws
P106- Locking assembly for bent insert printed boards
P107- Lock assembly for in-line printed boards

Examples of flags:

J30J/X-300TJL21 (Wire using AFR-250 0.15mm², wire length 300mm)

The above marks indicate that the number of contact parts is 300 cores, the plug insert pin, the tail end form is crimped type (with a sling), with a L21 lock assembly, the wire brand is AFR-250, the cross-sectional area of the wire core is 0.15mm², the length of the wire sling is not less than 300mm, and the color of the wire is arbitrary (any additional instructions do not specify the color of the wire, the same batch of products should be unified A) J30J/X low insertion force connector plug of the wire is crimped at all hole positions by default.

J30J/X Large core number, high reliability and long life series of miniature rectangular electrical connectors

J30J/X Large core number, high reliability and long life series of miniature rectangular electrical connectors

■ Crimp type

Product stereogram

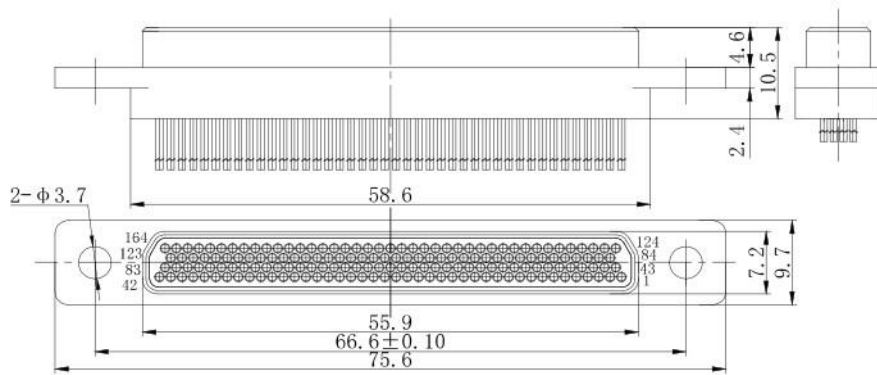


J30J/X-300TJL21

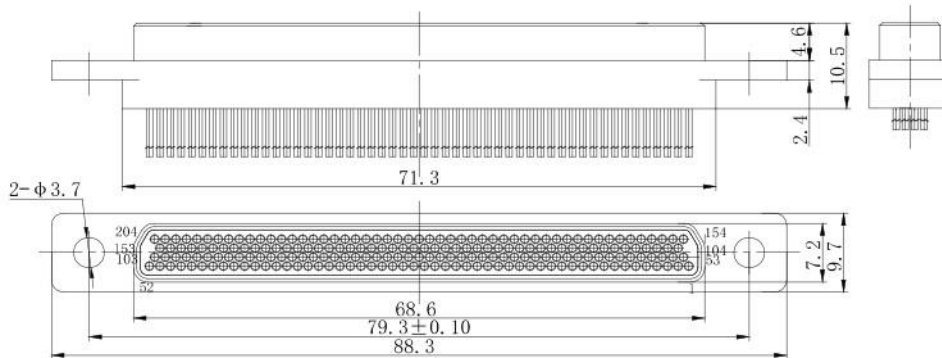


J30J-300ZKP105

Product dimensions drawing



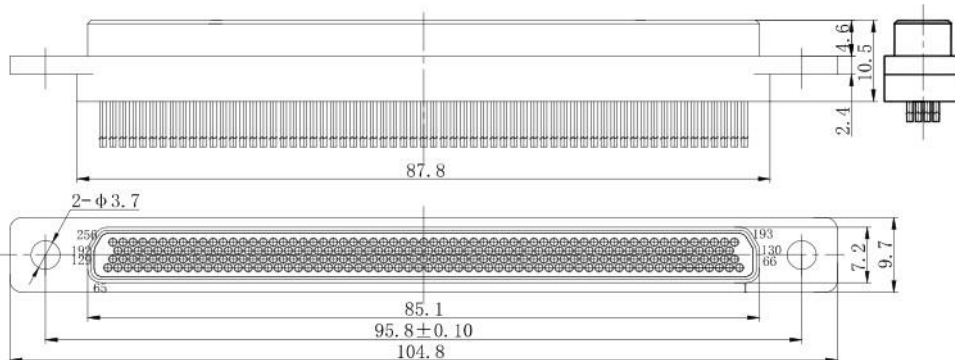
J30J/X-164TJ



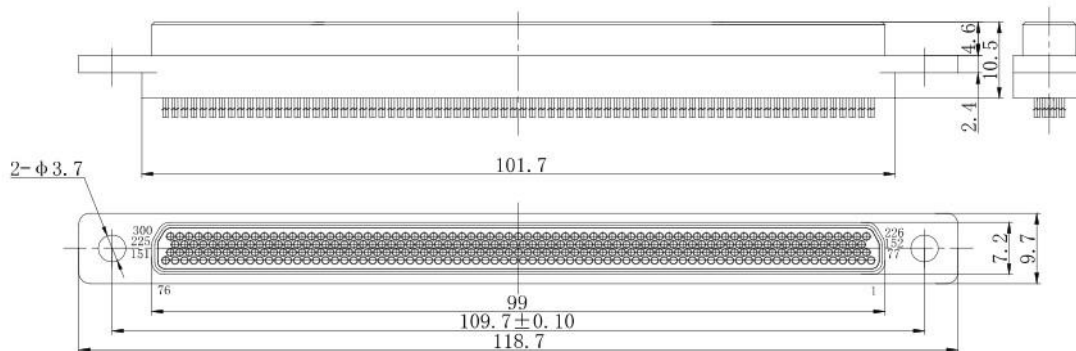
J30J/X-204TJ

J30J/X Large core number, high reliability and long life series of miniature rectangular electrical connectors

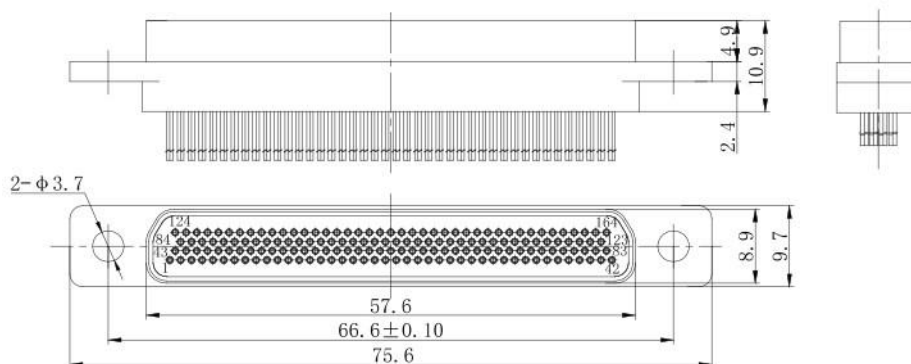
Product dimensions drawing



J30J/X-256TJ



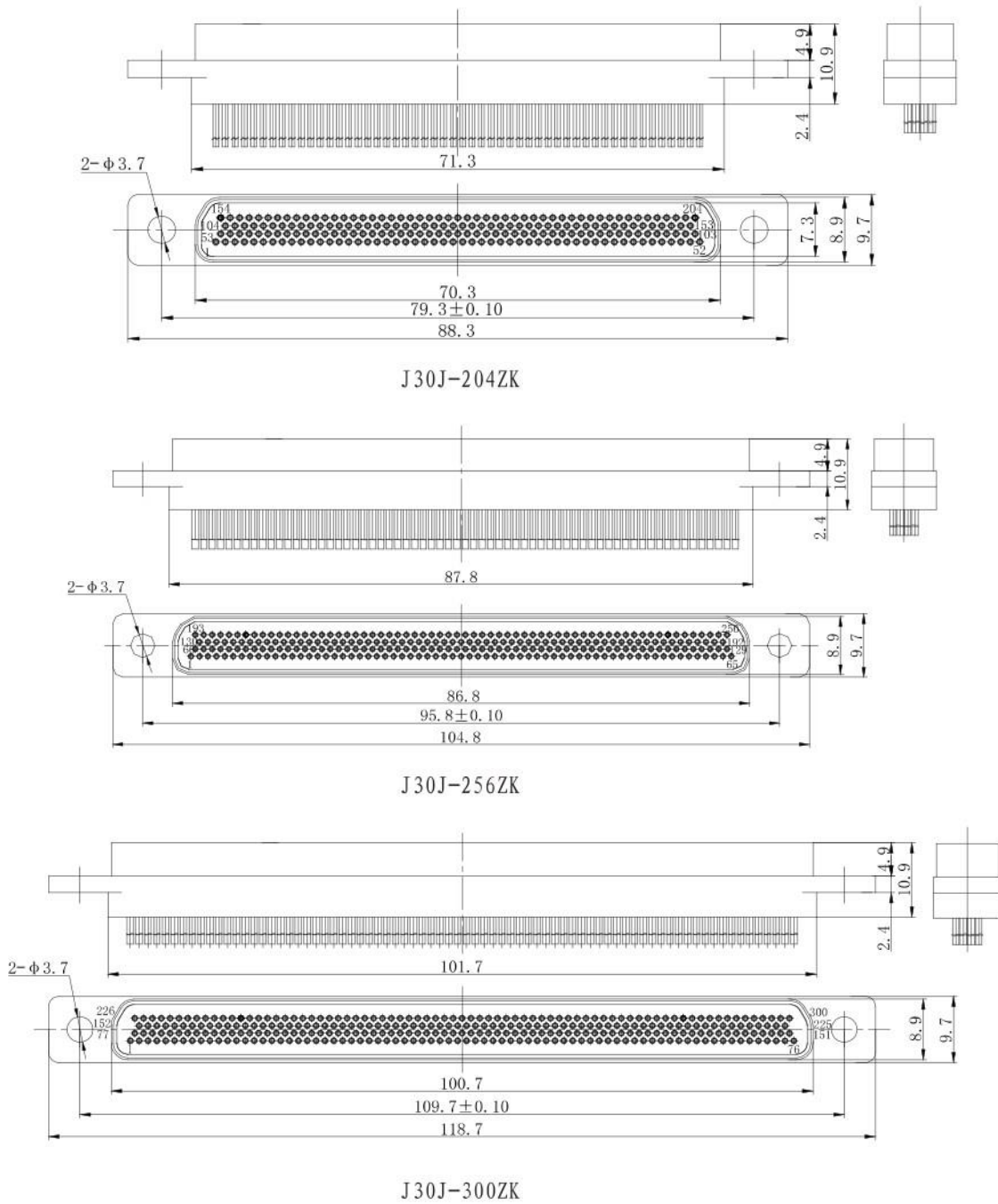
J30J/X-300TJ



J30J-164ZK

J30J/X Large core number, high reliability and long life series of miniature rectangular electrical connectors

Product dimensions drawing



J30J/X Large core number, high reliability and long life series of miniature rectangular electrical connectors

■ Live print plate

Product stereogram

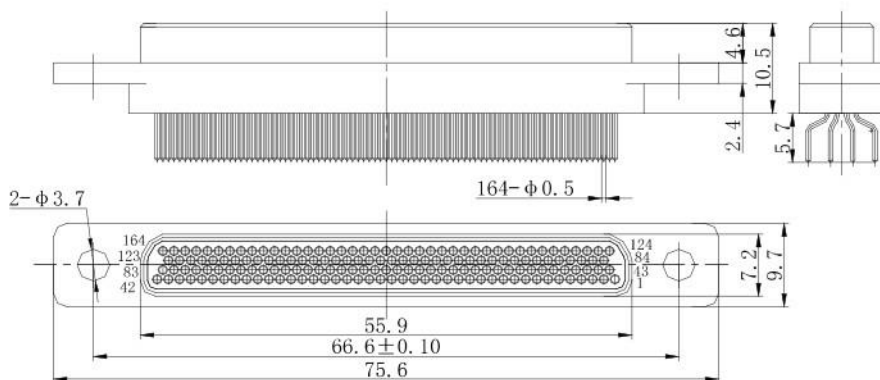


J30J/X-300TJNP107-J

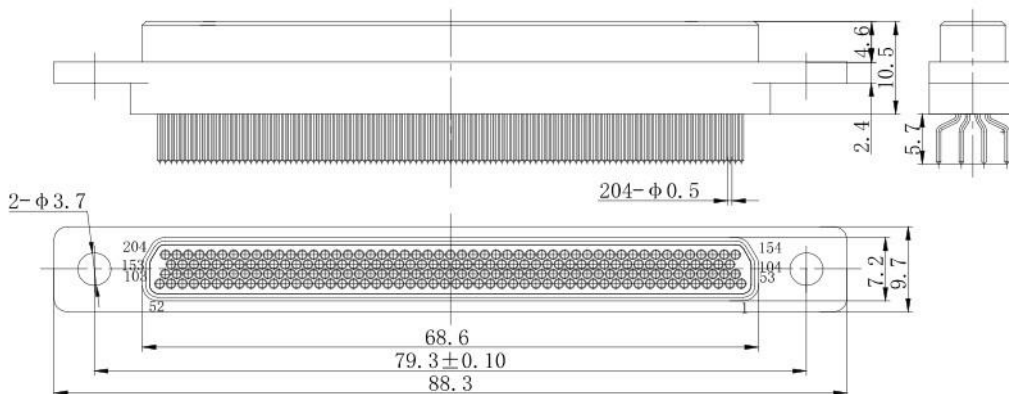


J30J-300ZKNP107-J

Product dimensions drawing



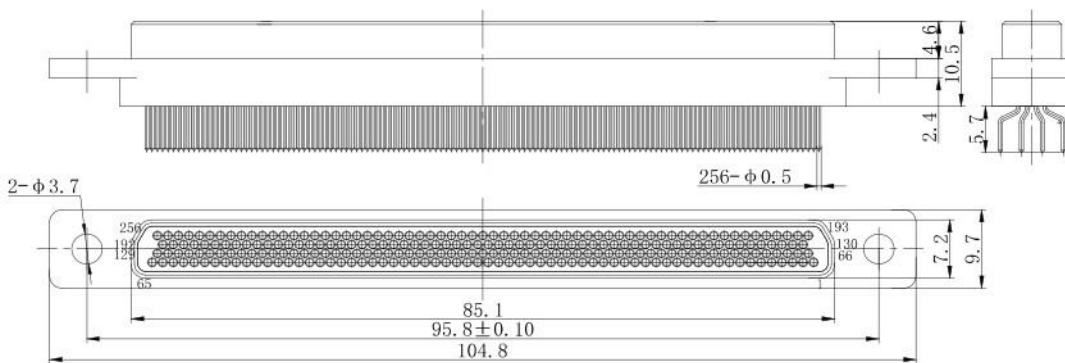
J30J/X-164TJN-J



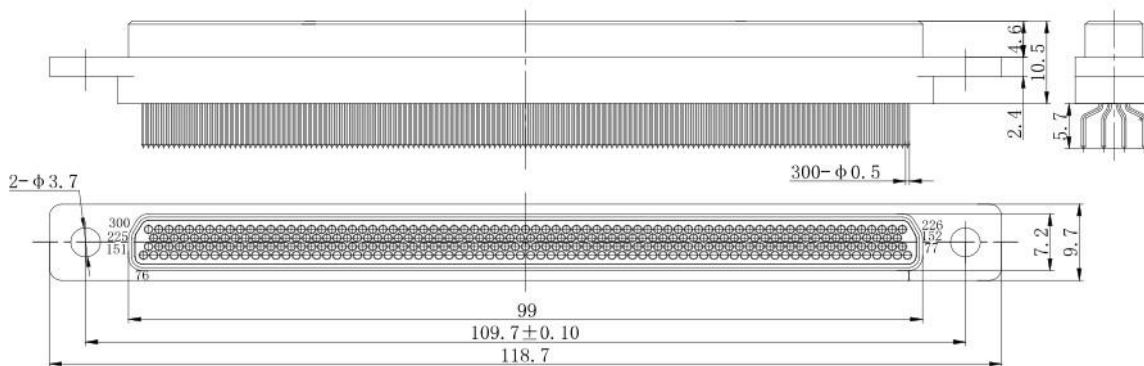
J30J/X-204TJN-J

J30J/X Large core number, high reliability and long life series of miniature rectangular electrical connectors

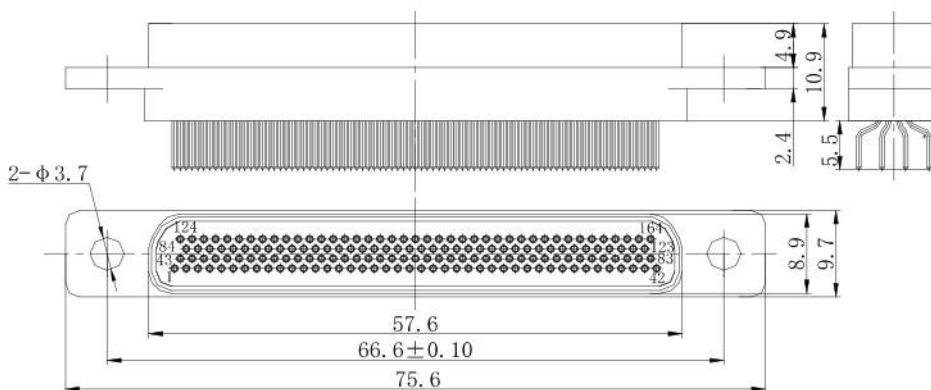
Product dimensions drawing



J30J/X-256TJN-J



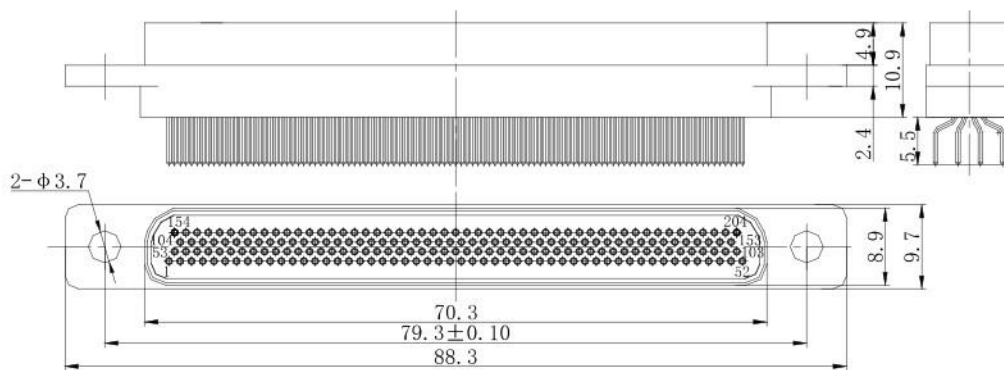
J30J/X-300TJN-J



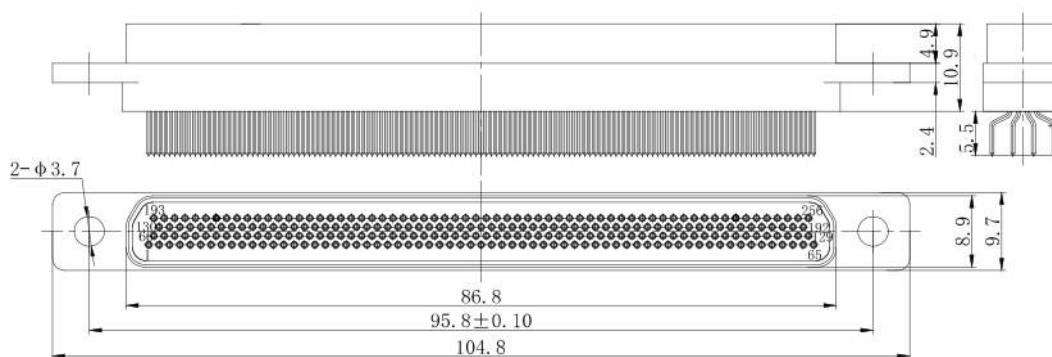
J30J-164ZKN-J

J30J/X Large core number, high reliability and long life series of miniature rectangular electrical connectors

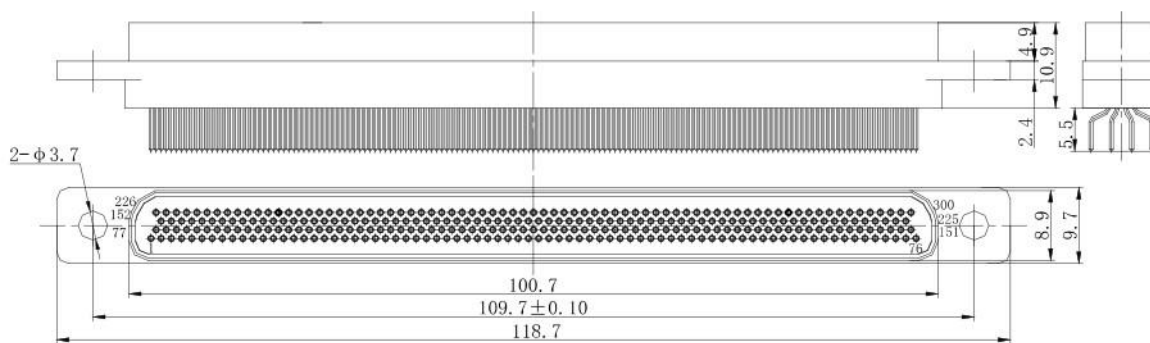
Product dimensions drawing



J30J-204ZKN-J



J30J-256ZKN-J



J30J-300ZKN-J

J30J/X Large core number, high reliability and long life series of miniature rectangular electrical connectors

■ Curved insert printing plate

Product stereogram

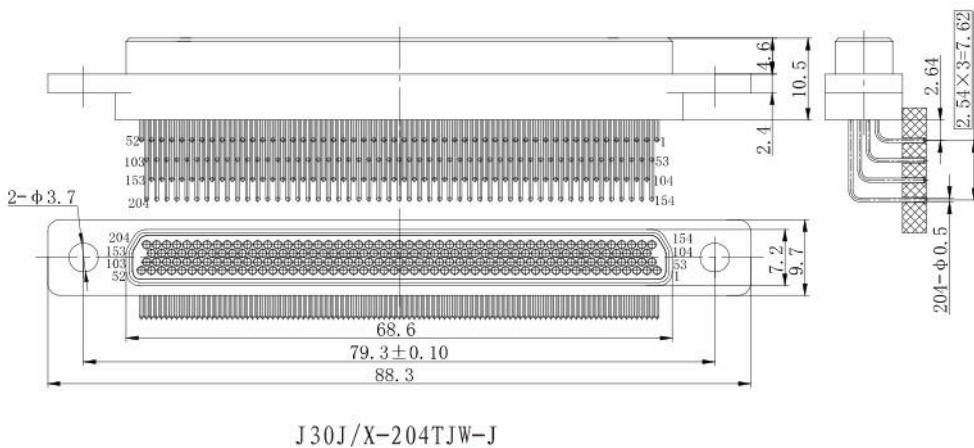
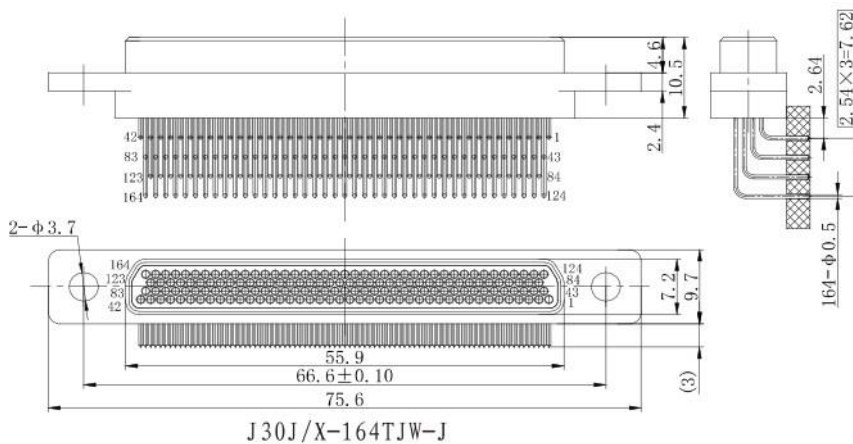


J30J/X-300TJWP106-J



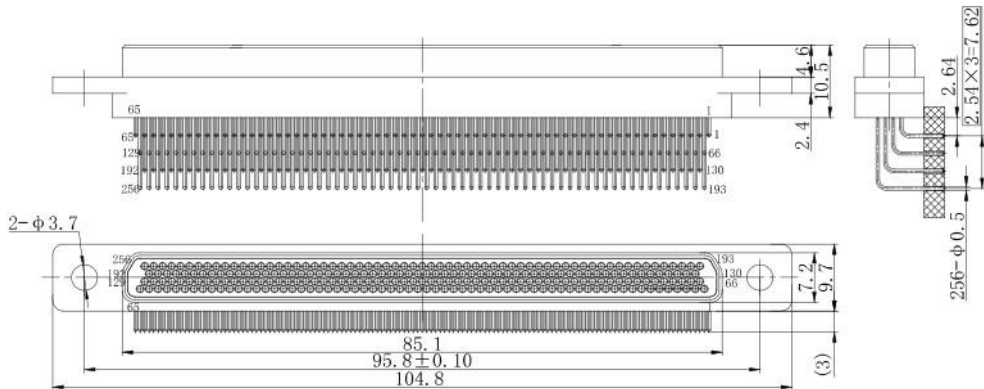
J30J-300ZKWP106-J

Product dimensions drawing

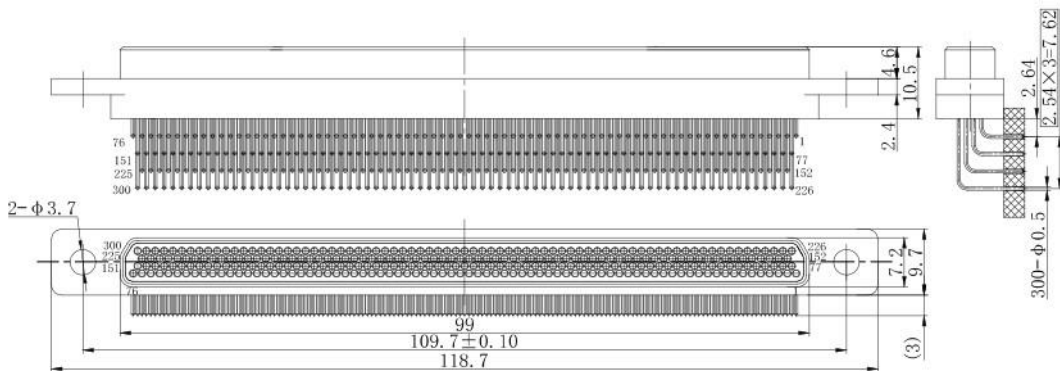


J30J/X Large core number, high reliability and long life series of miniature rectangular electrical connectors

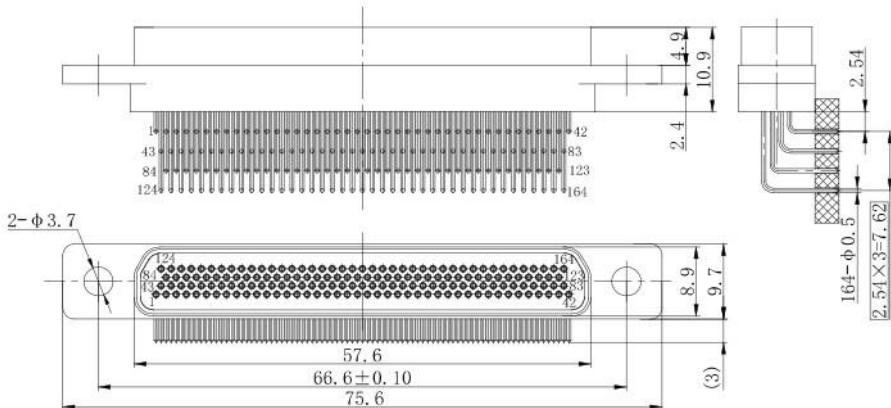
Product dimensions drawing



J30J/X-256TJW-J



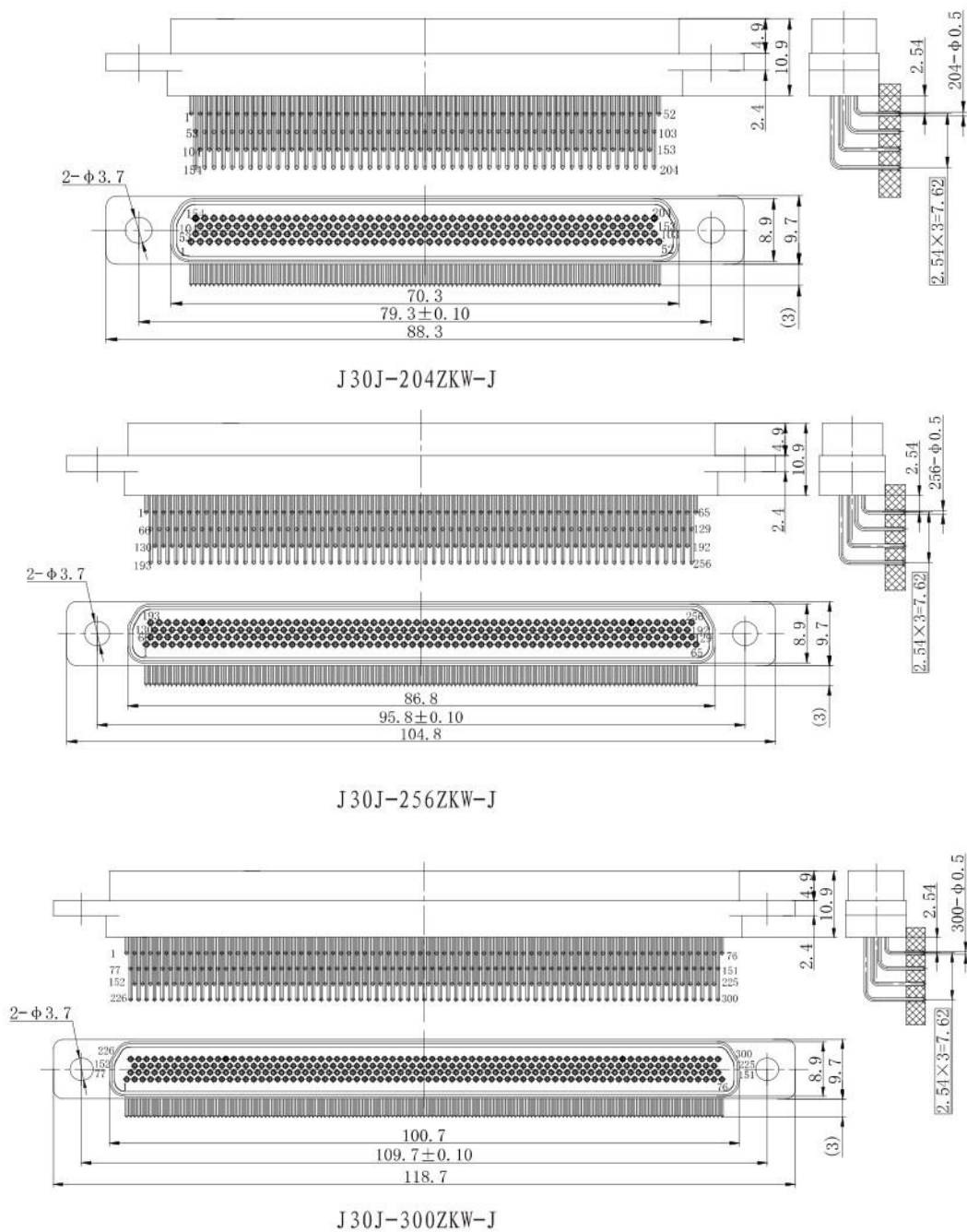
J30J/X-300TJW-J



J30J-164ZKW-J

J30J/X Large core number, high reliability and long life series of miniature rectangular electrical connectors

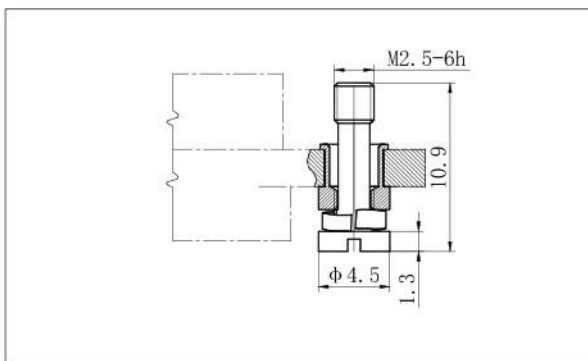
Product dimensions drawing



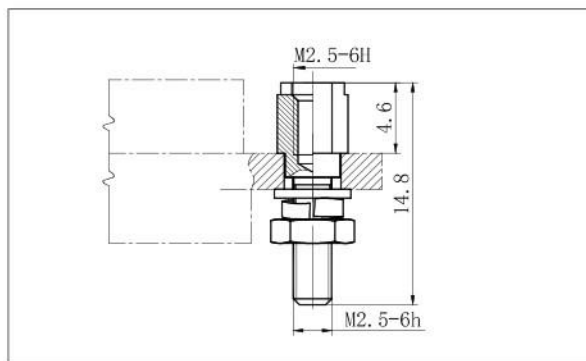
J30J/X Large core number, high reliability and long life series of miniature rectangular electrical connectors

■ Locking assembly

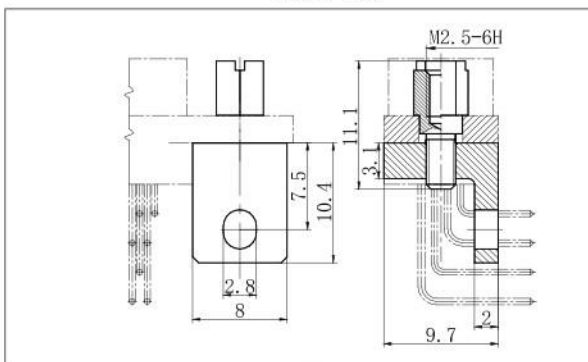
Product dimensions drawing



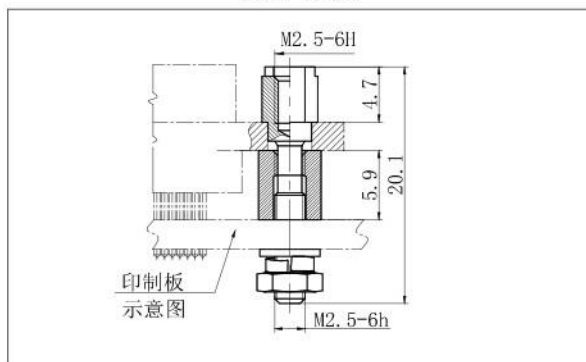
J30J-L19



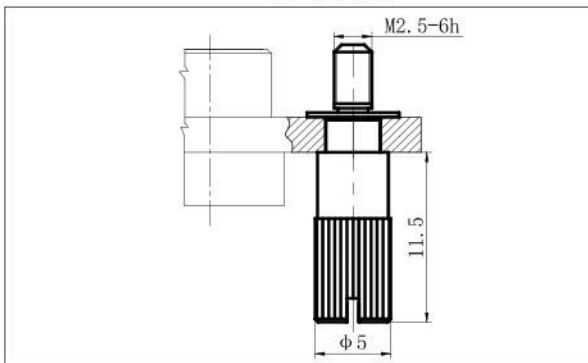
J30J-P105



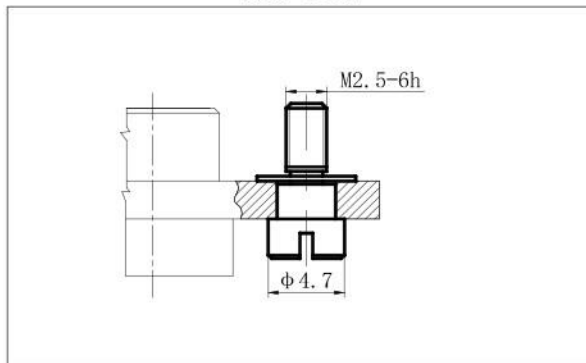
J30J-P016



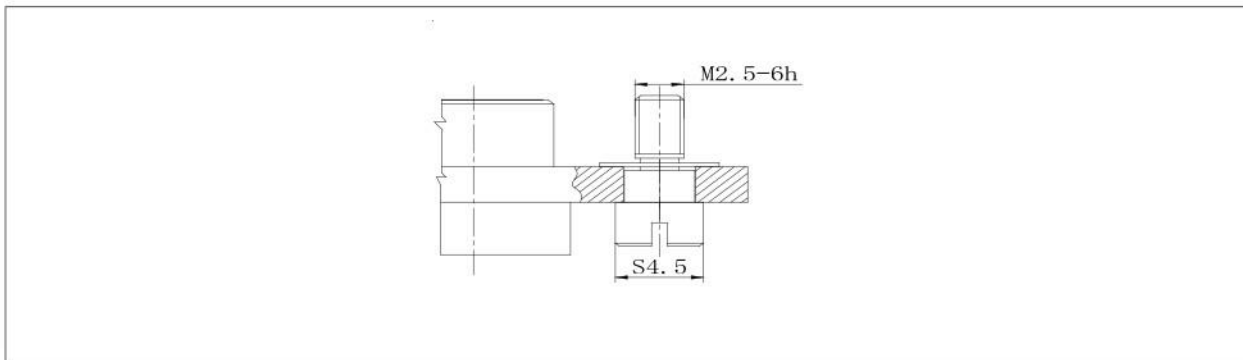
J30J-P107



J30J-L21



J30J-L22



J30J-L23

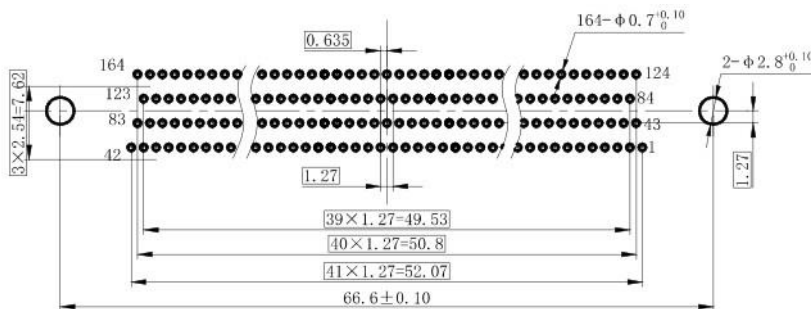
J30J/X Large core number, high reliability and long life series of miniature rectangular electrical connectors

J30J/X Large core number, high reliability and long life series micro rectangular electrical connector mounting hole size

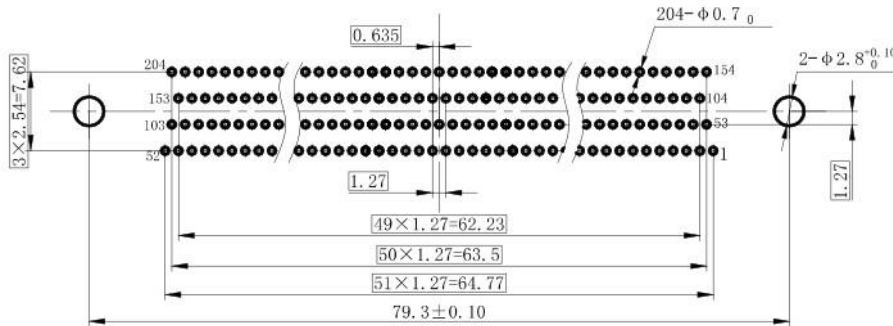
Printed board mounting hole dimensions

■ Open hole size, hole arrangement: column distance × row distance = 1.27 × 2.54 J30J/X-

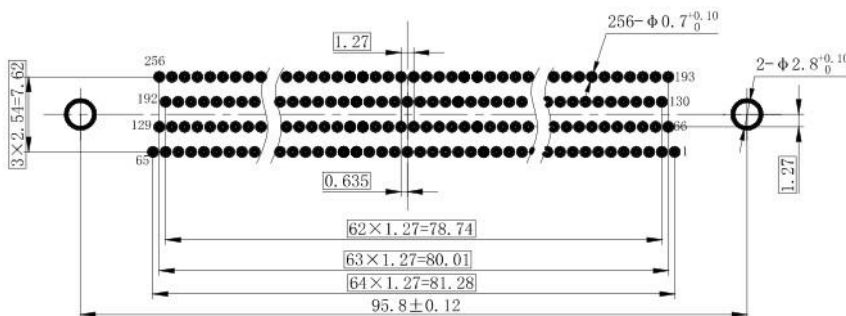
■ 164TJN-J



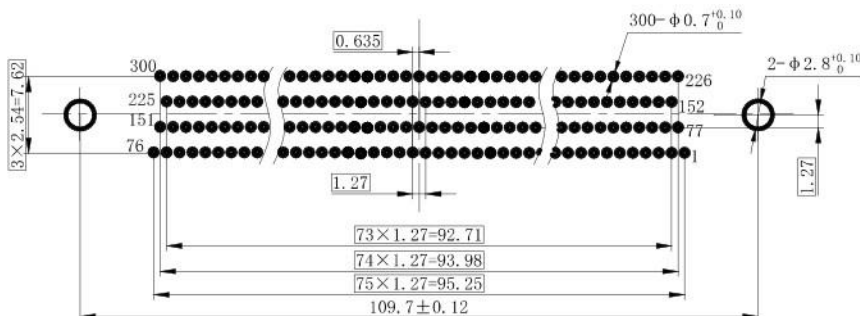
■ J30J/X-204TJN-J



■ J30J/X-256TJN-J



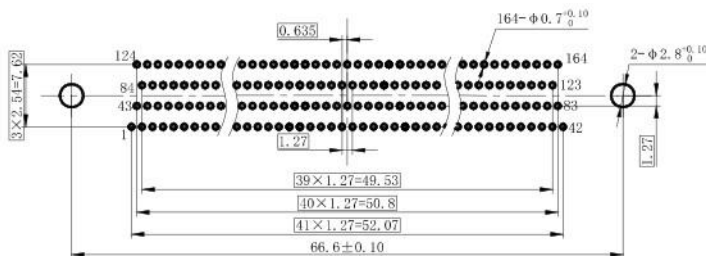
■ J30J/X-300TJN-J



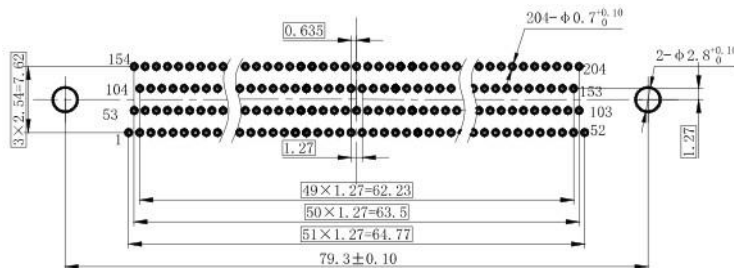
J30J/X Large core number, high reliability and long life series of miniature rectangular electrical connectors

Printed board mounting hole dimensions

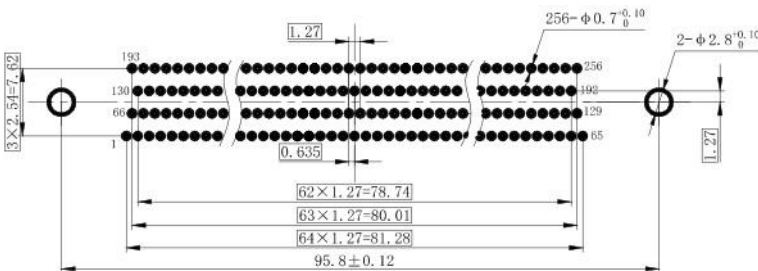
■ J30J-164ZKN-J



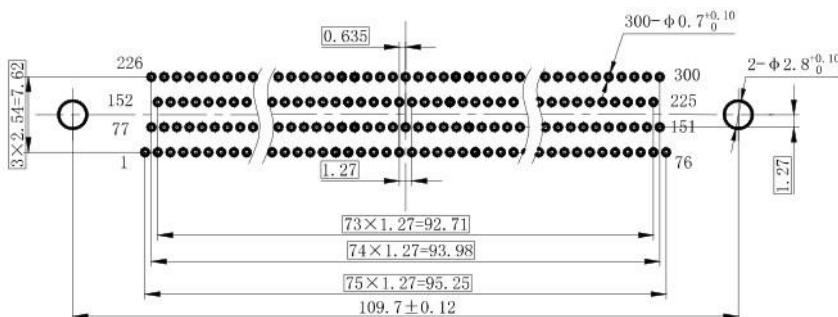
■ J30J-204ZKN-J



■ J30J-256ZKN-J



■ J30J-300ZKN-J

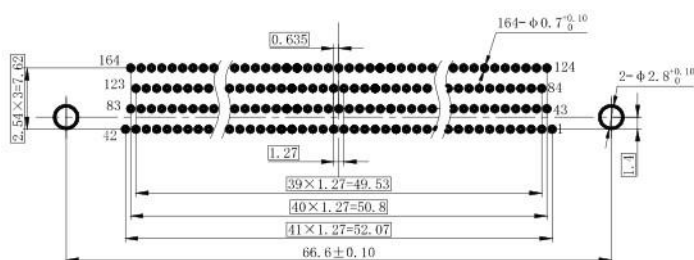


J30J/X Large core number, high reliability and long life series of miniature rectangular electrical connectors

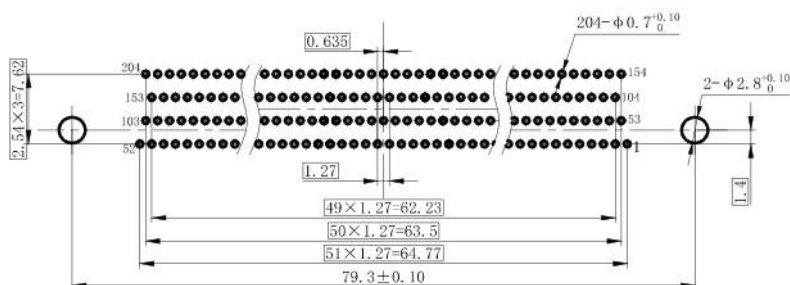
Printed board mounting hole dimensions

■ Hole size of bent-insert printed board, hole arrangement: column distance x row distance = 1.27 x 2.54

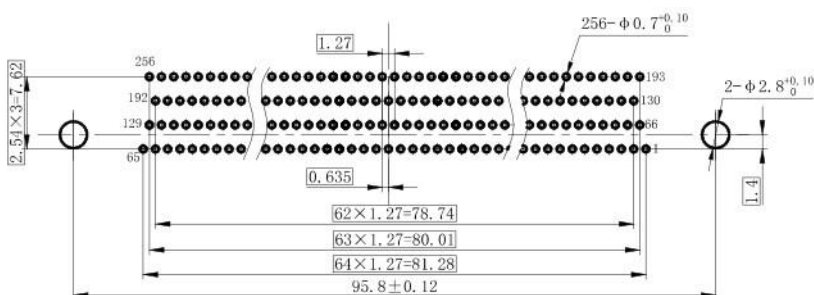
■ J30J/X-164TJW-J



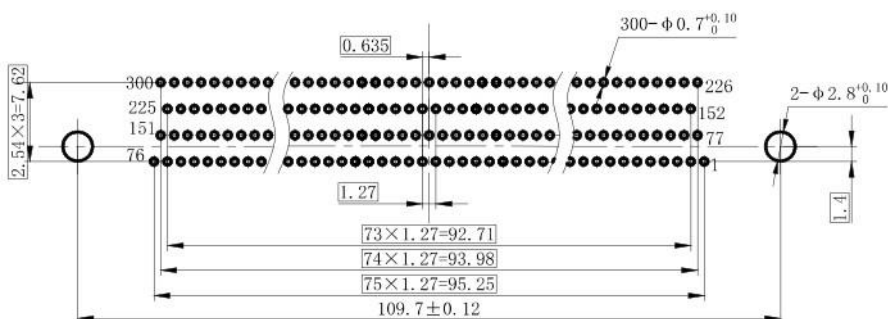
■ J30J/X-204TJW-J



■ J30J/X-256TJW-J



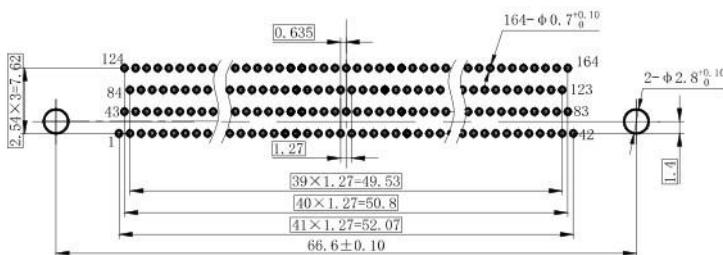
■ J30J/X-300TJW-J



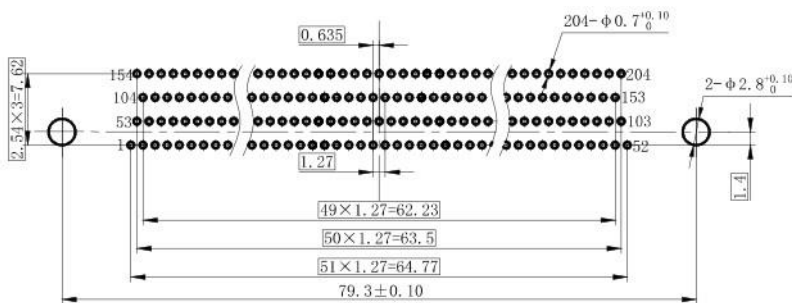
J30J/X Large core number, high reliability and long life series of miniature rectangular electrical connectors

Printed board mounting hole dimensions

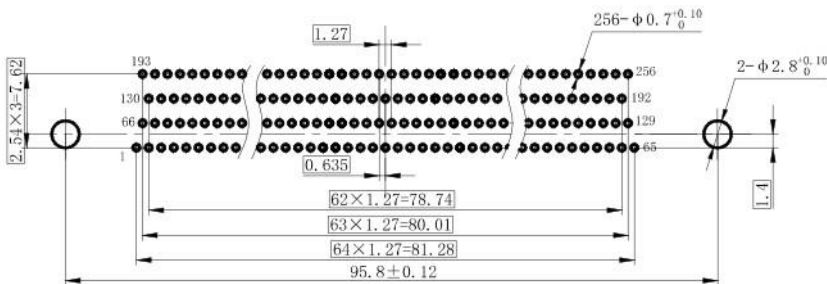
■ J30J-164ZKW-J



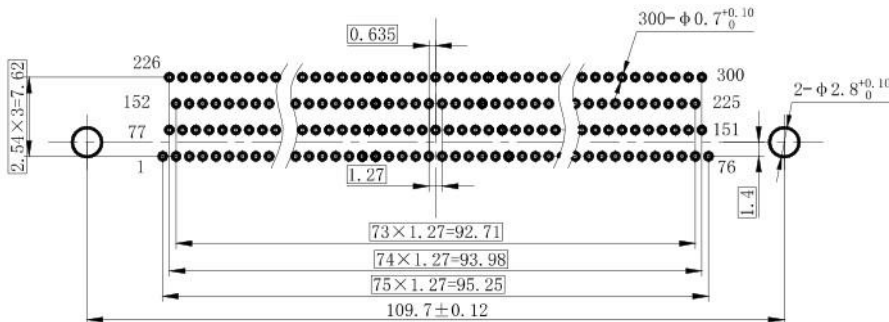
■ J30J-204ZKW-J



■ J30J-256ZKW-J

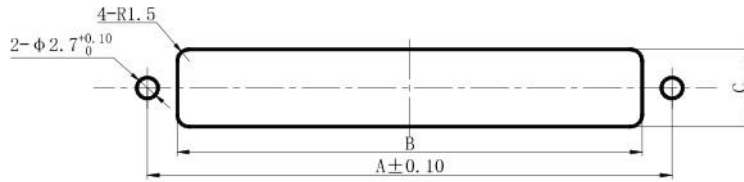


■ J30J-300ZKW-J



J30J/X Large core number, high reliability and long life series of miniature rectangular electrical connectors

Dimensions of holes in front of mounting plates



型谱	A	B	C
164 芯	66.6	59	10
204 芯	79.3	71.7	10
256 芯	95.8	88.2	10
300 芯	109.7	102.1	10

J30JC3 miniature rectangular electrical connector

Brief introduction of characteristics

- Twisted elastic pin (twist needle), high contact density
- The spacing at the end of the in-line printed board is $1.91 \times 1.91 \text{ mm}$
- Crimp conductor core cross-sectional area $0.1 \text{ mm}^2 \sim 0.15 \text{ mm}^2$
- The product performance meets the requirements of GJB2446

Technical characteristics

- Ambient temperature: $-55^\circ\text{C} \sim +200^\circ\text{C}$
- Oscillate: $10 \text{ Hz} \sim 2000 \text{ Hz}$ 196 m/S^2
- Impact: 980 m/S^2
- Rated current: 3 A
- Contact resistance: $\leq 10 \text{ m}\Omega$
- Insulation resistance: $\geq 5000 \text{ m}\Omega$
- Medium voltage: 800 V
- Mechanical life: 500 cycles

Order mark

J30JC3 - 100 T J N12 P68 A1
 ① ② ③ ④ ⑤ ⑥ ⑦

- ① Main name: J30JC3
- ② Number of contacts: 100
- ③ Connector type: T - plug Z - Socket
- ④ Contact type :J - Pin K - Jack
- ⑤ End form: No letter - crimp N - in-line printed board
- ⑥ Locking component: P68 One mounting screw L2 - locking screw
- ⑦ Cable clamp type: No letter - Wireless clamp A1- with A1 type cable clamp

Flag example

J30JC3-100TJN12P68

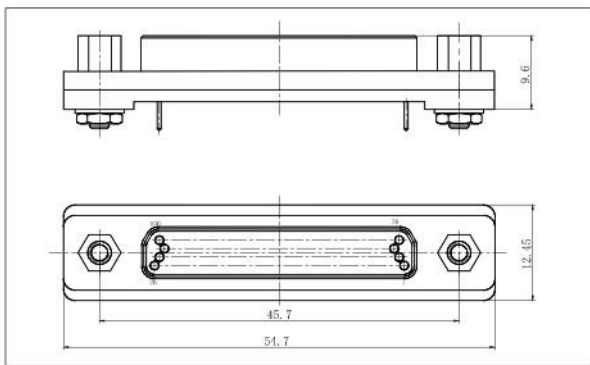
The above marks indicate that the number of contacts is 100, and the contacts are in the form of pins and J30JC3 plugs with P68 mounting screws.

J30JC3 miniature rectangular electrical connector

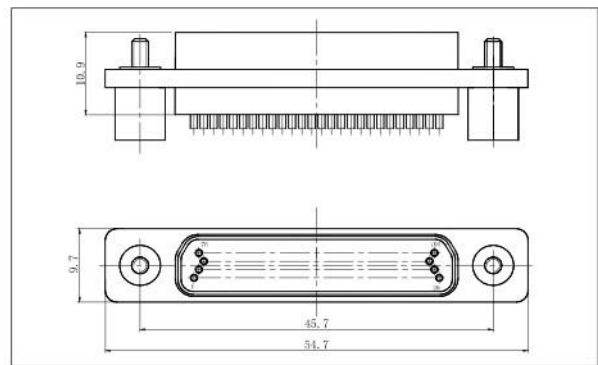
Product stereogram



Product dimensions drawing

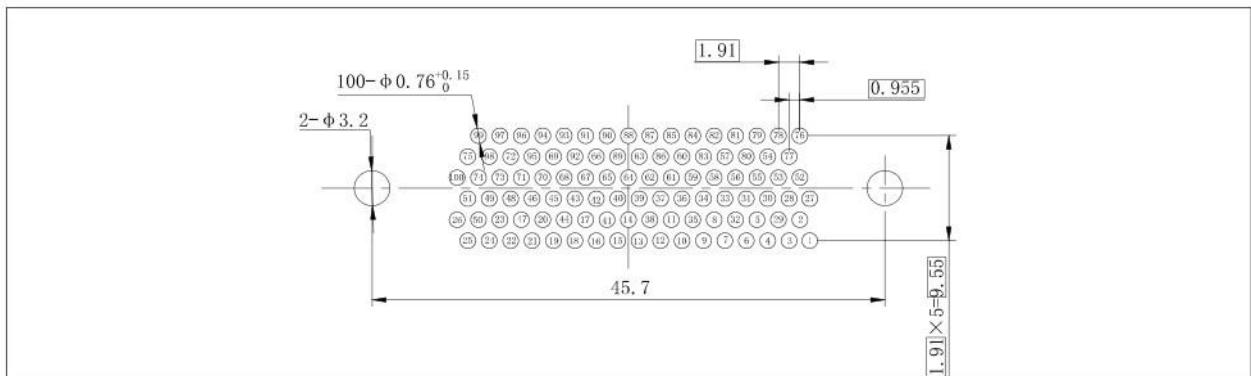


plug



socket

Plug end printed board mounting open dimensions



J30JL series miniature rectangular filter electrical connector

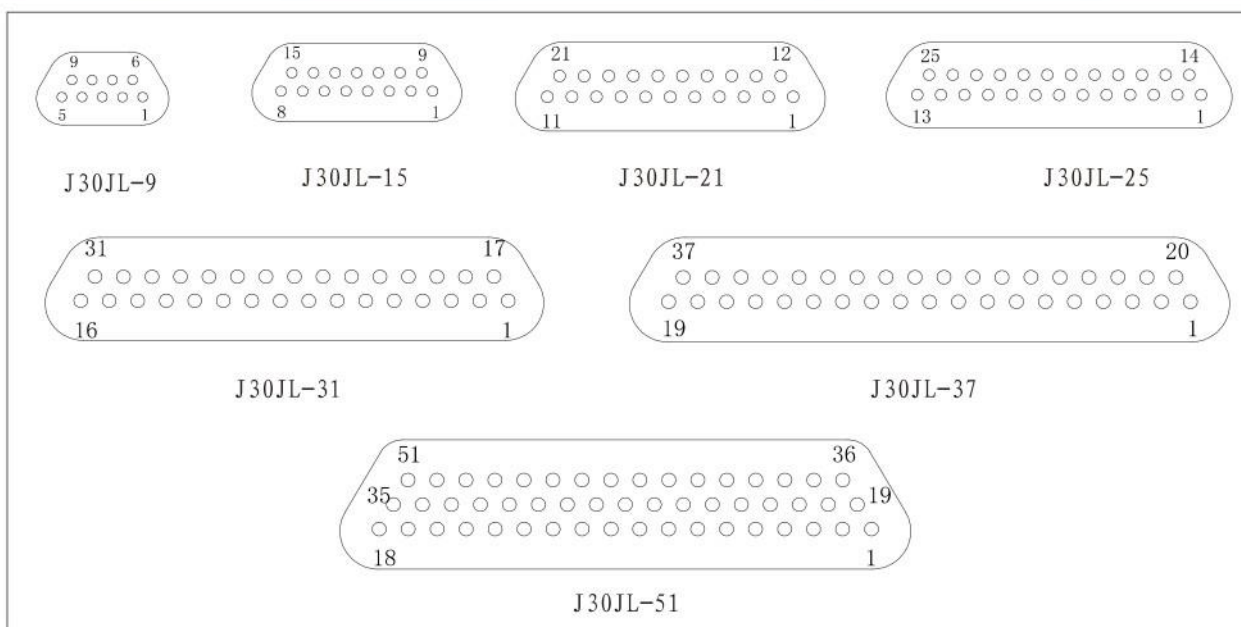
Brief introduction of characteristics

- Based on the international MIL-C-83513 series (GJB2446 series) micro rectangular electrical connectors, filter characteristics and functions are added, which can be used with standard J30J and MDM series products
- Twisted elastic pin (twist needle), high contact density
- Number of cores: 9, 15, 21, 25, 31, 37, 51
- Low-pass filtering, effectively filter interference in the frequency range of 1MHz ~ 1GHz
- Low-pass filtering, effectively filter interference in the frequency range of 1MHz ~ 1GHz
- Capacitive flexible termination technology eliminates internal stress caused by temperature shock, vibration and shock, and improves reliability
- The overall dimension is only extended in the tail cavity of the non-filtered J30J flange, of which the C-type height increases by up to 3.6mm and the N-type height increases by up to 7.6mm.
- The locking assembly and tail end form are consistent with non-filtered J30J products
- It is mainly used for high-end electronic instruments and equipment with micro requirements and electromagnetic compatibility requirements

Technical characteristics

- Ambient temperature: -55°C~+125°C
- oscillate: 10Hz ~ 2000Hz 196M/ S²
- impact: 980M/ S²
- Rated current: 3A
- Operating voltage: 200V DC (51 core 100V DC)
- Contact resistance: ≤15mΩ
- Insulation resistance: ≥ 5000MOH (51 core ≥ 2000MΩ) Medium
- voltage: 500V DC (51-core 300V DC)
- Attenuation characteristics: 25°C, 50Ω test system, see the attenuation characteristics table; Mechanical
- life: 500 cycles

Spectral arrangement



Note: View from plug butt end

J30JL series miniature rectangular filter electrical connector

Product drawing



J30JL-9



J30JL-9ZKP-C1



J30JL-9ZKP-C5



J30JL-37ZKSP



J30JL-9ZKP-P1



J30JL-9ZKP-P5



J30JL-37ZKSP-P1



J30JL-37ZKSP-C5



J30JL-51ZKWP7-J-C1



J30JL-51ZKWP7-J-P1

J30JL series miniature rectangular filter electrical connector

Order mark

J30JL × - × TJ/ZK × - × × - × × - C × (Annex description)
 ① ② ③ ④ ⑤ ⑥ ⑦ ⑧ ⑨ ⑩

- ① Primary name code, L stands for filter
- ② Does not indicate - basic type; C-shell material is tin-phosphorus bronze and nickel-plated; Change the D-mounting hole to M2-6H
- ③ Number of contact parts: 9, 15, 21, 25, 31, 37, 51
- ④ Connector and contact type: TJ a plug insert pin; ZK - socket installation jack; TJ and ZK are fixed collocation
- ⑤ Tail end form:
 No letter one crimp
 S-welding
 N - Live printed board
 W - curved insert printed board
- ⑥ Locking components Category: See J30J Locking Components
- ⑦ Surface coating: no letters a shell plated with nickelG- The outer shell is cadmium plated Basic
- ⑧ modifications:Q - Enclosure flange widening
 J - printed board grid spacing of 1.27×2.54 (column × row) Filter
- ⑨ structure:C-C filterP-Pi filter
- ⑩ Capacitance code: such as 1, 2, 3, 4, 5, see the filter attenuation characteristics table

Note: Additional instructions are not part of the order mark. Please indicate the specifications of the crimped wire in brackets when selecting, such as cross-sectional area, length and color of the wire. If there is a special connection requirement, please give the connection relationship.

J30JL series miniature rectangular filter electrical connector

Attenuation characteristic table

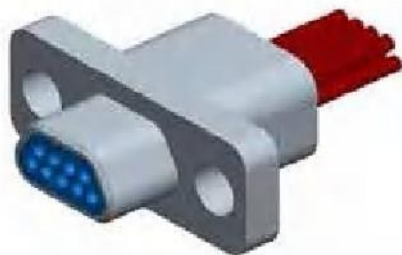
Wave filter circuit	Band code	Nominal capacitance value pF		Recommended capacity nominal value	Minimum attenuation dB (50Ω test system, no load)														
					25℃							-55℃~125℃							
					Test frequency MHZ							Test frequency MHZ							
Type C	1	Min	Max	100, 150, 220	1	3	10	30	100	300	1000	1	3	10	30	100	300	1000	
	2	300	510	330, 470			3	10	18	25				2	10	17	27		
	3	680	1000	680, 820, 1000	1	6	17	26	30					4	15	23	27		
	4	1200	2200	1500	2	10	20	30	35					8	18	27	30		
	5	4000	5600	4700	2	8	18	28	35	35				5	15	24	30	30	
Type n	1	200	440	200, 300, 440			2	5	22	30						3	19	27	
	2	600	1020	660, 940	2	8	18	30	40					6	16	27	35		
	3	1360	2000	1360, 1640, 2000		4	10	22	35	42				2	8	19	30	36	
	4	2400	4400	3000	2	8	18	35	45	50				5	15	30	40	42	
	5	8000	11200	9400	2	4	15	28	40	48	50		2	11	22	35	40	42	

J30JL series miniature rectangular filter electrical connector

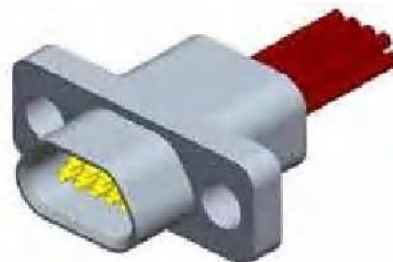
J30JL crimp basic type \J30JL-TJ and J30JL-ZK

- plug
- J30JL-9、15、21、25、31、37、51TJ

- socket
- J30JL-9、15、21、25、31、37、51ZK



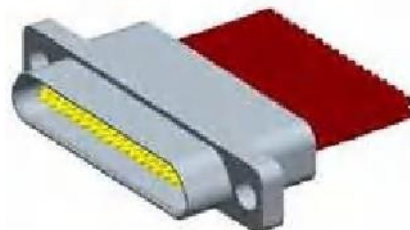
J30JL-9TJ



J30JL-9ZK

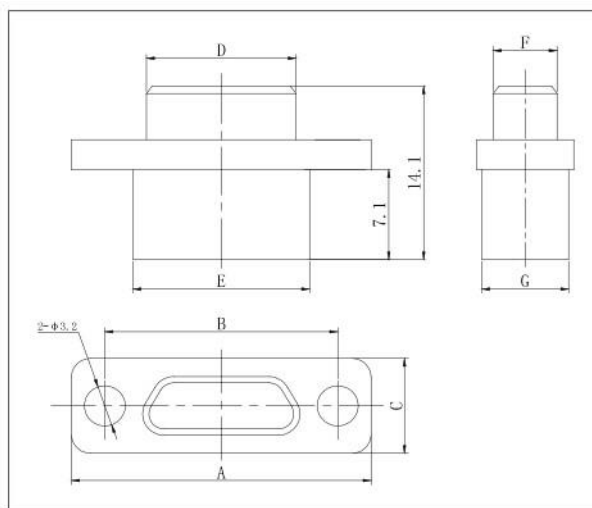


J30JL-37TJ

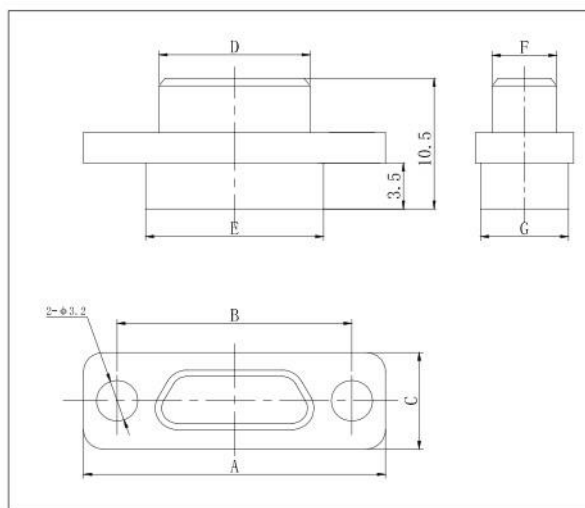


J30JL-37ZK

Product dimensions drawing (with comparison drawing)



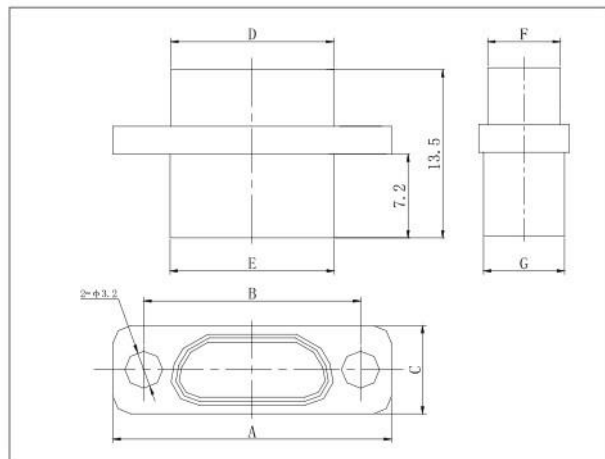
J30JL-TJ (Type C filter product)



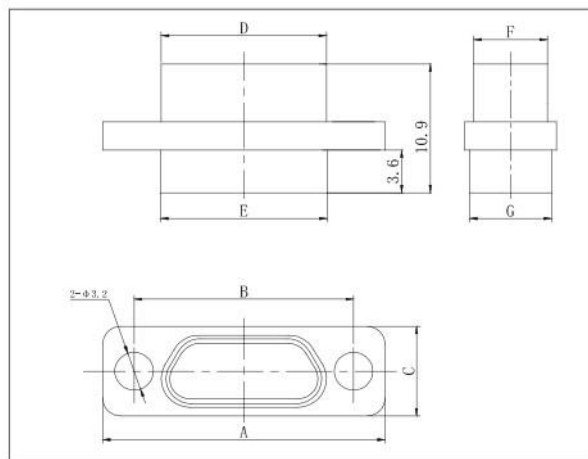
J30J-TJ (Non-filter products)

J30JL series miniature rectangular filter electrical connector

Product dimensions drawing (with comparison drawing)



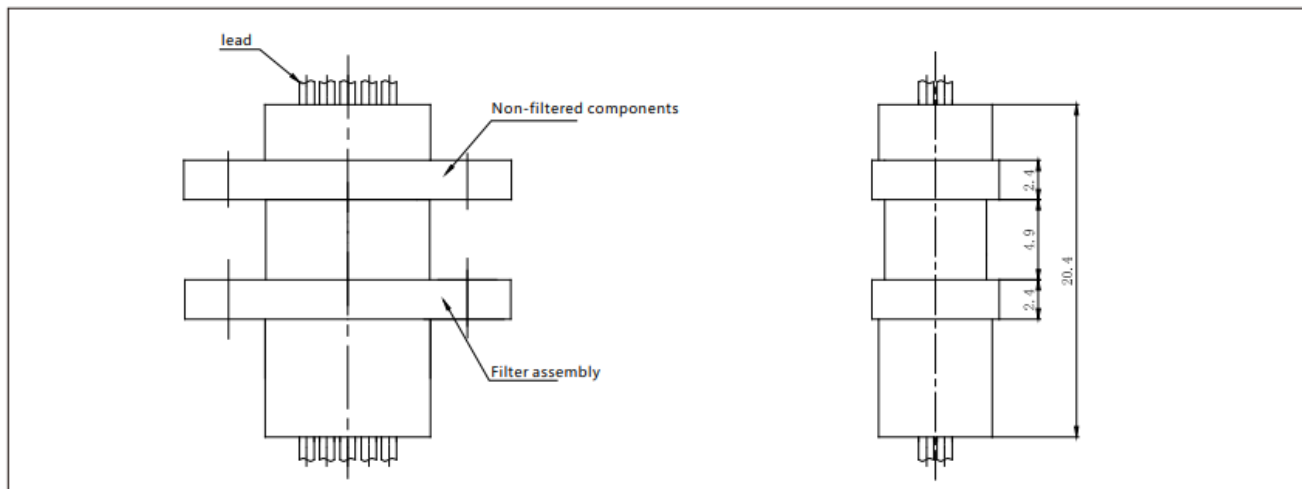
J30JL-ZK (Type C filter product)



J30J-ZK (Non-filter product)

Order mark	A	B	C	D	E	F	G
J30JL-9TJ	19.6	14.3	7.6	8.3	9.9	4.7	6.8
J30JL-15TJ	23.5	18.2	7.6	12.3	13.8	4.7	6.8
J30JL-21TJ	27.4	22	7.6	16	17.6	4.7	6.8
J30JL-25TJ	29.8	24.5	7.6	18.6	20.2	4.7	6.8
J30JL-31TJ	33.6	28.3	7.6	22.4	24	4.7	6.8
J30JL-37TJ	37.4	32.2	7.6	26.3	27.8	4.7	6.8
J30JL-9ZK	19.6	14.3	7.6	9.8	9.9	6.1	6.8
J30JL-15ZK	23.5	18.2	7.6	13.7	13.8	6.1	6.8
J30JL-21ZK	27.4	22	7.6	17.4	17.6	6.1	6.8
J30JL-25ZK	29.8	24.5	7.6	20	20.2	6.1	6.8
J30JL-31ZK	33.6	28.3	7.6	23.8	24	6.1	6.8
J30JL-37ZK	37.4	32.2	7.6	27.7	27.8	6.1	6.8
J30JL-51ZK	36.4	30.86	8.7	26.5	26.6	7.2	7.9

Product appearance after docking



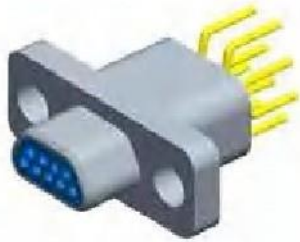
Filter assembly

Left view

J30JL series miniature rectangular filter electrical connector

J30JL plug-in printed board basic type \J30JL live printed board N type

- The connection mode between the end of the contact part and the printed board is straight-insert, and the mesh size is 2.54×2.54
- plug
- J30JL-9、15、21、25、31、37、51TJN
- socket
- J30JL-9、15、21、25、31、37、51ZKN



J30JL-9TJN



J30JL-9ZKN

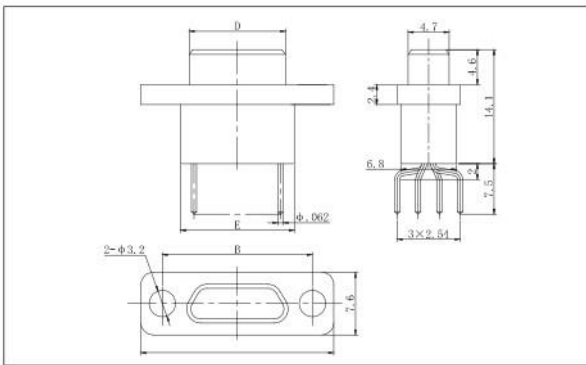


J30JL-37TJN

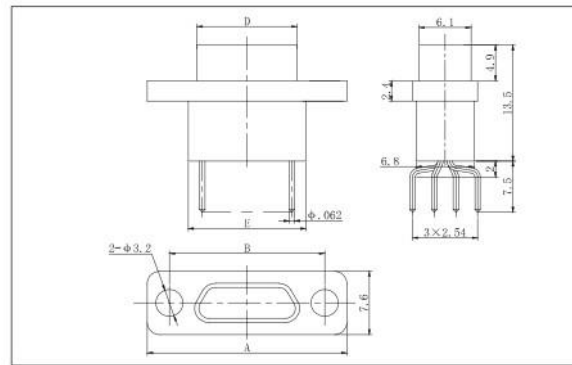


J30JL-37ZKN

Product appearance after docking



J30JL-9~37TJN



J30JL-9~37ZKN

Order mark	A	B	D		E
J30JL-9TJN / ZKN	19.6	14.3	8.3 (TJN)	9.8 (ZKN)	9.9
J30JL-15TJN / ZKN	23.5	18.2	12.3 (TJN)	13.7 (ZKN)	13.8
J30JL-21TJN / ZKN	27.4	22	16 (TJN)	17.4 (ZKN)	17.6
J30JL-25TJN / ZKN	29.8	24.5	18.6 (TJN)	20 (ZKN)	20.2
J30JL-31TJN / ZKN	33.6	28.3	22.4 (TJN)	23.8 (ZKN)	24
J30JL-37TJN / ZKN	37.4	32.2	26.3 (TJN)	27.7 (ZKN)	27.8
J30JL-51TJN / ZKN	36.4	30.86	25 (TJN)	26.5 (ZKN)	26.6

J30JL series miniature rectangular filter electrical connector

J30JL plug-in printed board basic type \J30JL curved inserted printed board W type

■ The contact end is connected to the printed board in a bent insert mode, and the mesh size is 2.54 ×2.54.

■ plug

■ J30JL-9、15、21、25、31、37、51TJW

■ socket

■ J30JL-9、15、21、25、31、37、51ZKW



J30JL-9TJW



J30JL-9ZKW

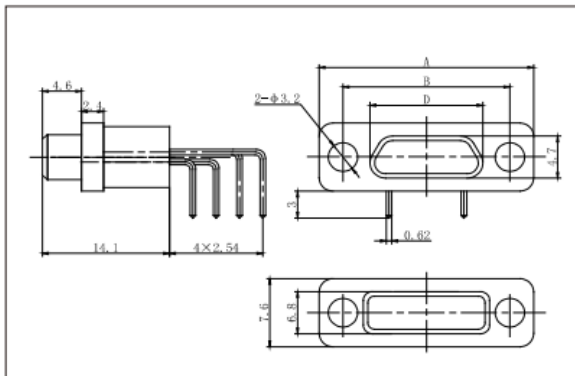


J30JL-37TJW

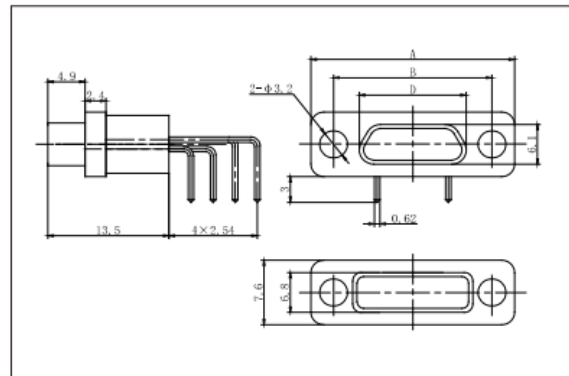


J30JL-37ZKW

Product dimensions drawing



J30JL-9~37TJW



J30JL-9~37ZKW

Order mark	A	B	D		E
J30JL-9TJW/ZKW	19.6	14.3	8.3 (TJW)	9.8 (ZKW)	9.9
J30JL-15TJW/ZKW	23.5	18.2	12.3 (TJW)	13.7 (ZKW)	13.8
J30JL-21TJW/ZKW	27.4	22	16 (TJW)	17.4 (ZKW)	17.6
J30JL-25TJW/ZKW	29.8	24.5	18.6 (TJW)	20 (ZKW)	20.2
J30JL-31TJW/ZKW	33.6	28.3	22.4 (TJW)	23.8 (ZKW)	24
J30JL-37TJW/ZKW	37.4	32.2	26.3 (TJW)	27.7 (ZKW)	27.8
J30JL-51TJW/ZKW	36.4	30.86	25 (TJW)	26.5 (ZKN)	26.6

J30JL series miniature rectangular filter electrical connector

J30JL welding basic type VJ30JL-TJS & J30JL-ZKS

■ Basic welding products with the tail end arrangement spacing of 1.27×1.1 (column \times row).

■ plug

■ J30JL-9、15、21、25、31、37、51TJS

■ socket

■ J30JL-9、15、21、25、31、37、51ZKS



J30JL-9TJS



J30JL-9ZKS



J30JL-37TJS



J30JL-37ZKS

Note: In order to facilitate the observation view, the A3 cable clamp with the plug (seat) fitting is not drawn in the above stereogram, and the complete stereogram with the A3 cable clamp is as follows:



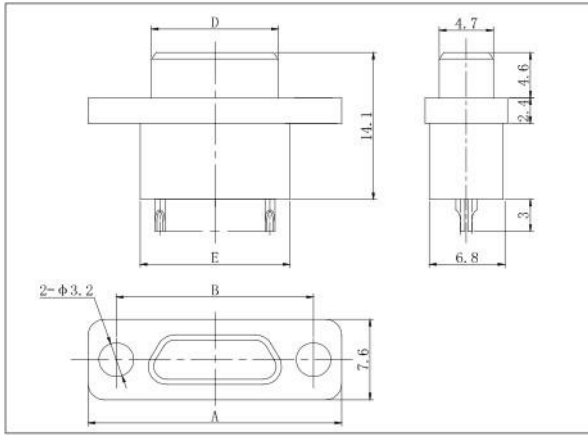
Stereoscopic view from the butt end



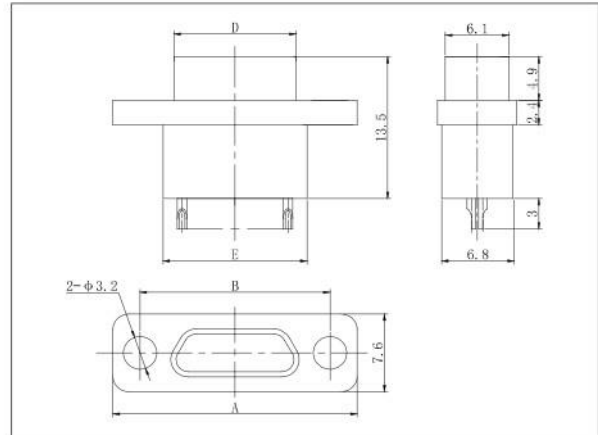
Stereogram from the end of the clamp

J30JL series miniature rectangular filter electrical connector

Product dimensions drawing



J30JL-9~37TJS



J30JL-9~37ZKS

Order mark	A	B	D		E
J30JL-9TJS/ZKS	19.6	14.3	8.3 (TJS)	9.8 (ZKS)	9.9
J30JL-15TJS/ZKS	23.5	18.2	12.3 (TJS)	13.7 (ZKS)	13.8
J30JL-21TJS/ZKS	27.4	22	16 (TJS)	17.4 (ZKS)	17.6
J30JL-25TJS/ZKS	29.8	24.5	18.6 (TJS)	20 (ZKS)	20.2
J30JL-31TJS/ZKS	33.6	28.3	22.4 (TJS)	23.8 (ZKS)	24
J30JL-37TJS/ZKS	37.4	32.2	26.3 (TJS)	27.7 (ZKS)	27.8
J30JL-51TJS/ZKS	36.4	30.86	25 (TJS)	26.5 (ZKS)	26.6

J30JL-TJ/ZK mounting plate opening dimensions

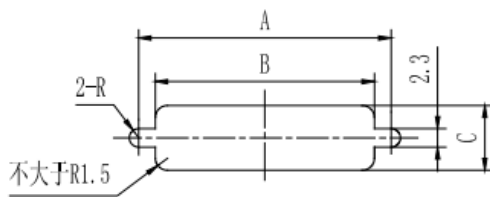


Plate front mounting hole dimensions

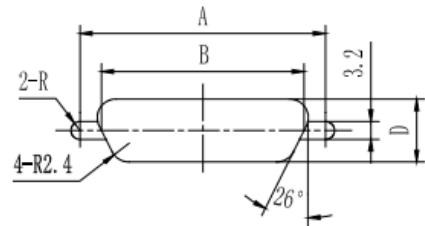


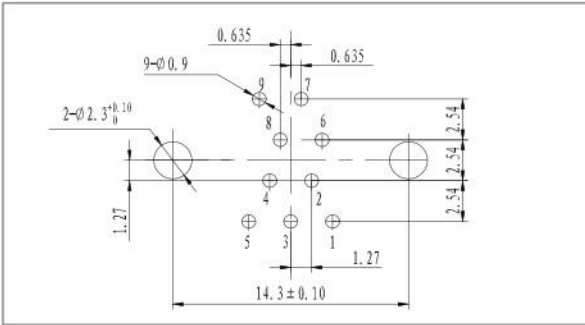
Plate rear mounting hole dimensions

spectrum	A	B	C	D	spectrum	A	B	C	D
9-core	14.3	10.2	7	6.3	25-core	24.5	20.5	7	6.3
15-core	18.2	14.1	7	6.3	31-core	28.3	24.3	7	6.3
21-core	22	17.9	7	6.3	37-core	32.2	28.1	7	6.3
51-core	30.86	26.9	8.1	7.4					

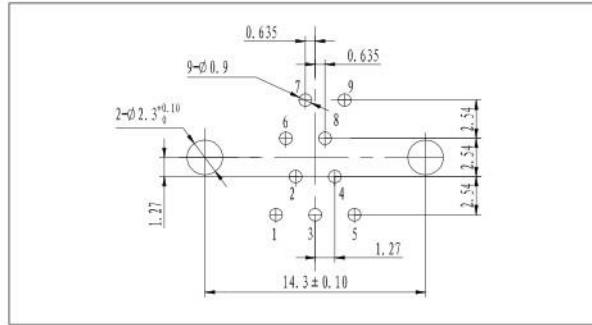
J30JL series miniature rectangular filter electrical connector

J30JL-x TJN/ x ZKN Dimensions of mounting holes for printed boards

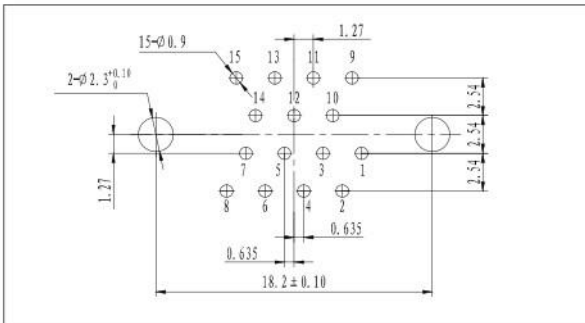
■ J30JL-9TJN



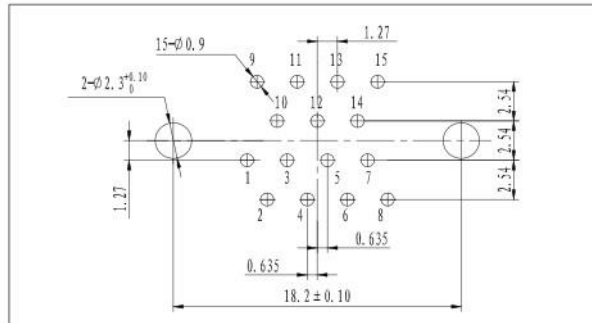
■ J30JL-9ZKN



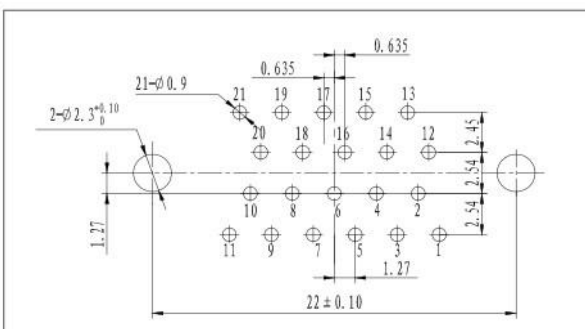
■ J30JL-15TJN



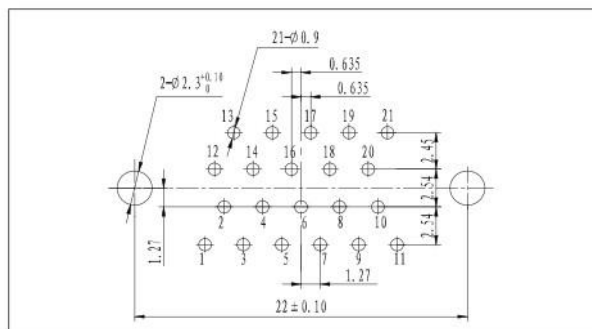
■ J30JL-15ZKN



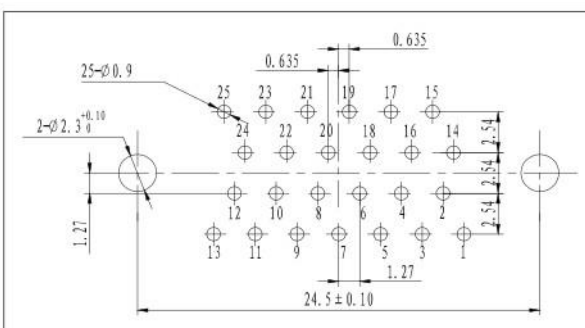
■ J30JL-21TJN



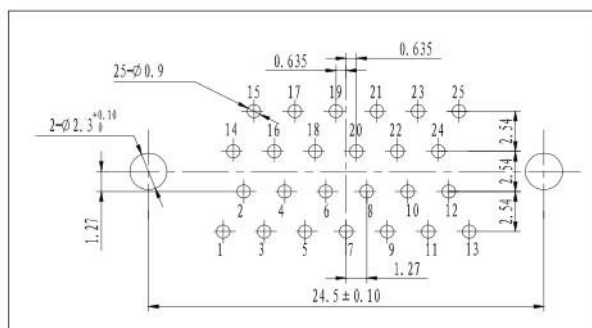
■ J30JL-21ZKN



■ J30JL-25TJN



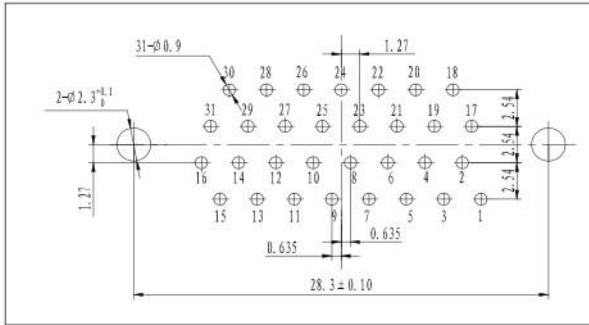
■ J30JL-25ZKN



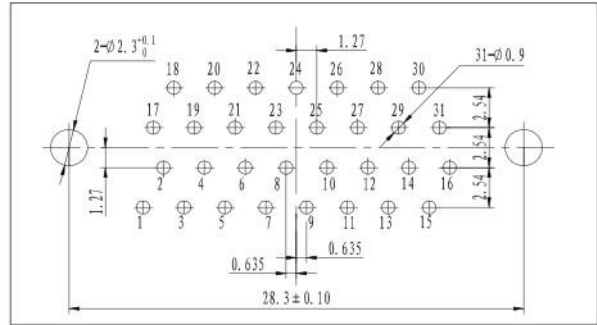
J30JL series miniature rectangular filter electrical connector

J30JL- × TJN/ × ZKN Dimensions of mounting holes for printed boards

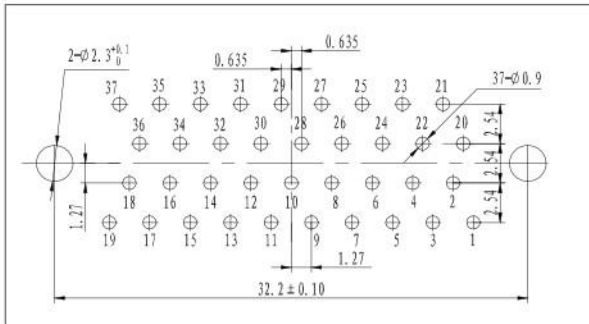
■ J30JL-31TJN



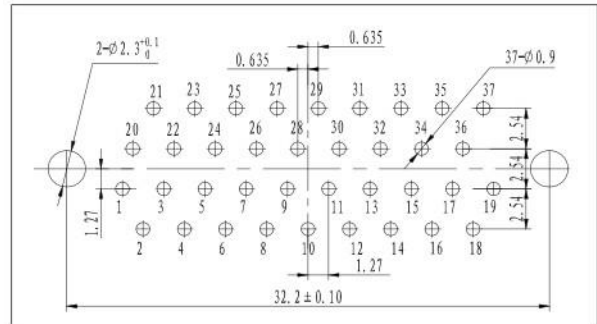
■ J30JL-31ZKN



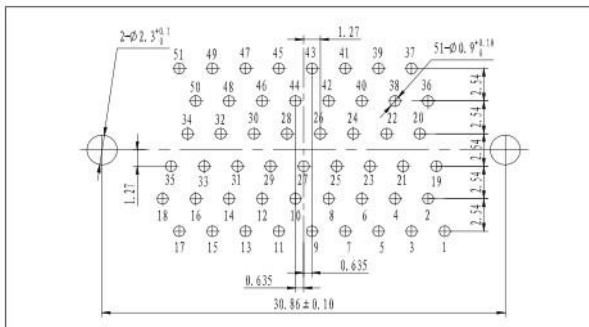
■ J30JL-37TJN



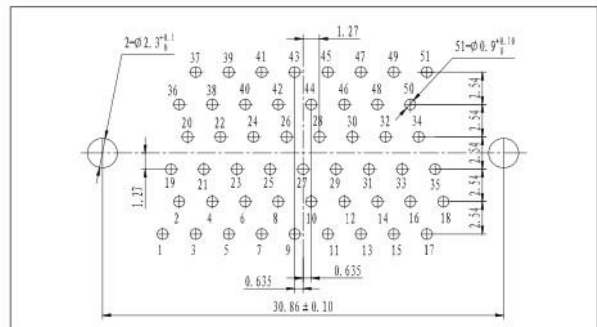
■ J30JL-37ZKN



■ J30JL-51TJN



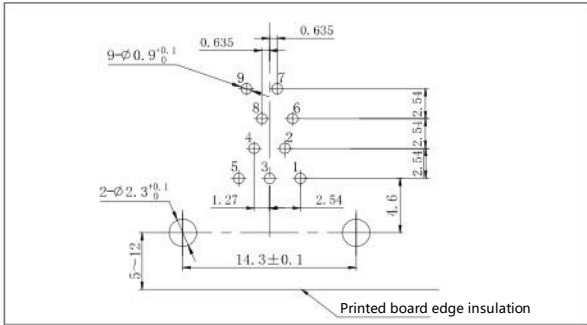
■ J30JL-51ZKN



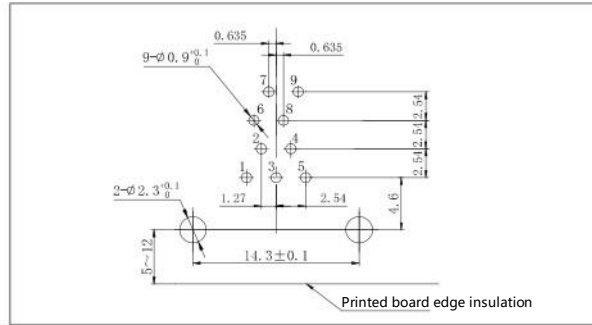
J30JL series miniature rectangular filter electrical connector

J30JL-TJ/ZKW PCB mounting hole dimensions

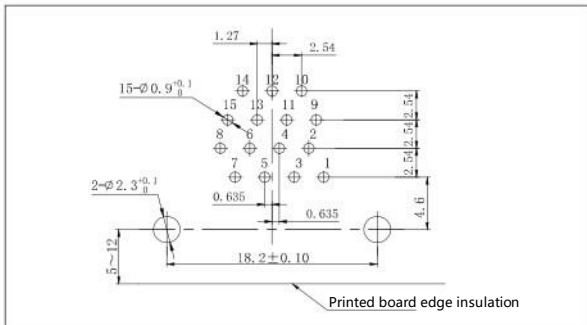
■ J30JL-9TJW



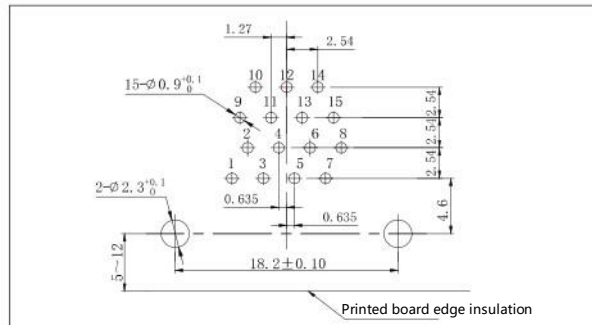
■ J30JL-9ZKW



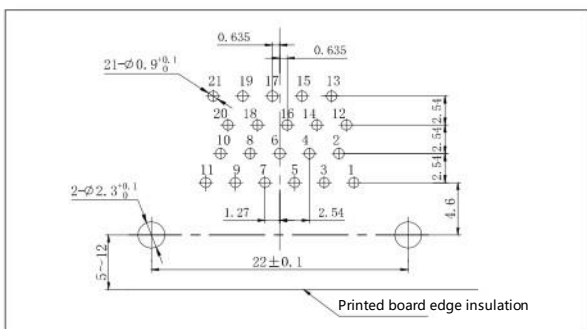
■ J30JL-15TJW



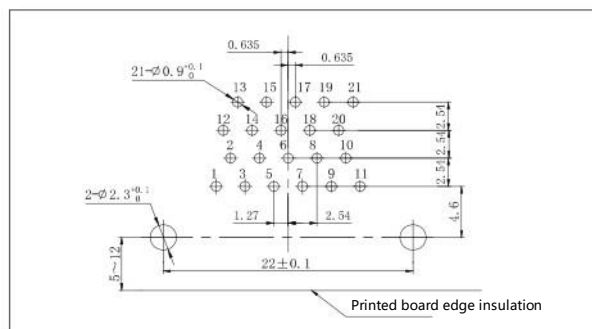
■ J30JL-15ZKW



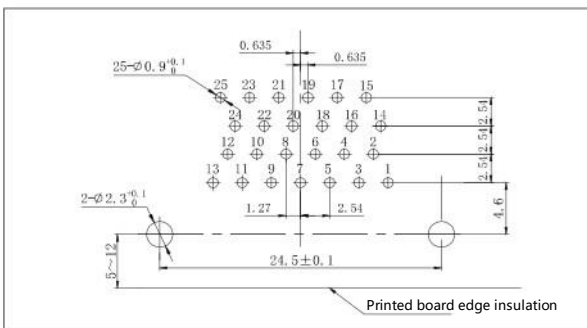
■ J30JL-21TJW



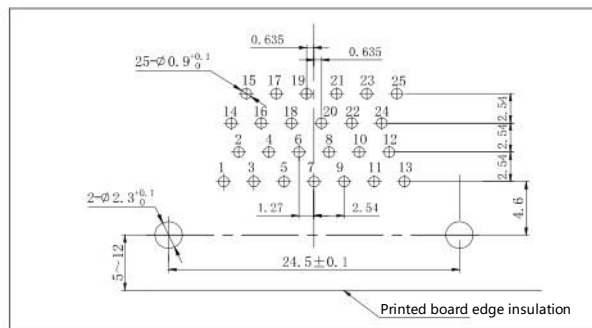
■ J30JL-21ZKW



■ J30JL-25TJW



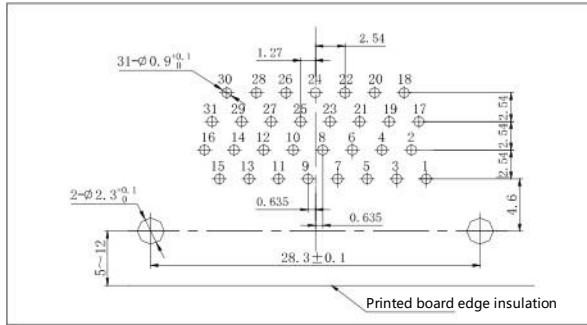
■ J30JL-25ZKW



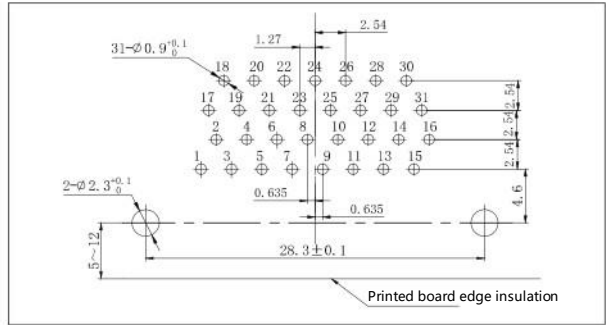
J30JL series miniature rectangular filter electrical connector

J30JL-TJ/ZKW PCB mounting hole dimensions

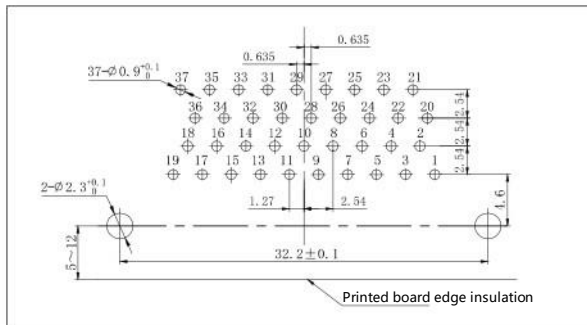
■ J30JL-31TJW



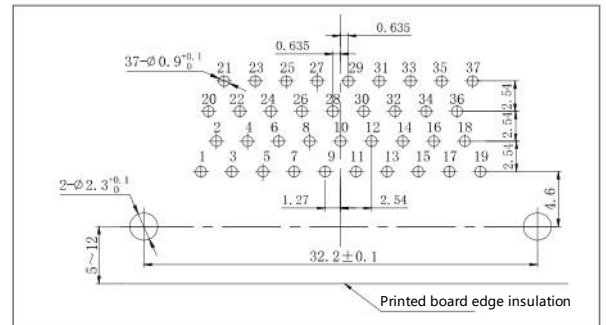
■ J30JL-31ZKW



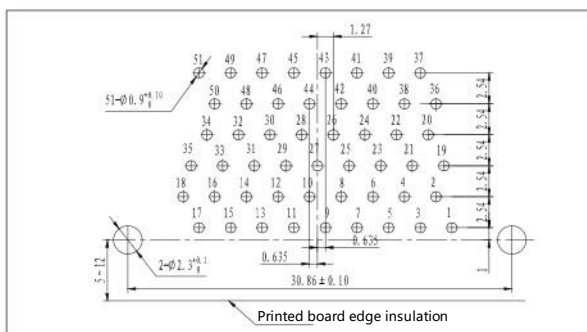
■ J30JL-37TJW



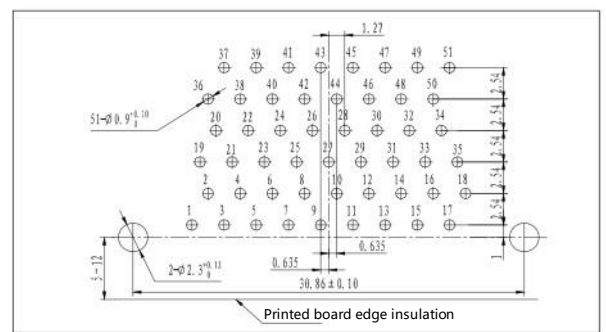
■ J30JL-37ZKW



■ J30JL-51TJW



■ J30JL-51ZKW



J30JMI series miniature rectangular electrical connector

Brief introduction of characteristics

- Core number: 9, 13, 15, 21, 25, 31, 37;
- Glass sintering seal, low leakage rate;
- Bonded gold wire at the end of the contact piece;
- Compatible with J30J-port TJ-Q60A or J30J-port TJ-Q69A special plug;

Technical characteristics

- Ambient temperature: -55°C~ +125°C;
- Leakage rate: $\leq 1 \times 10^{-3} \text{ Pa} \cdot \text{cm}^3 / \text{s}$;
- oscillate: 10Hz ~ 2000Hz 196M/S²;
- impact: 735m/S² 6ms
- Rated current: 3A;
- Medium voltage: 600V;
- Contact resistance: $\leq 30\text{m}\Omega$;
- Insulation resistance: $\geq 5000\text{M}\Omega$;
- Mechanical life: 500 cycles.

Order mark

J30J MI - × ZK S19
 ① ② ③ ④ ⑤

- ① Main name Code: J30J;
- ② Category: MI-single-cell glass sintered seal;
- ③ Contact part spectrum: 9, 13, 15, 21, 25, 31, 37;
- ④ Connector and contact type: ZK one socket with jack;
- ⑤ Contact end connection form: S19 - bonded metal wire.

Flag example

J30JMI – 21 ZKS19

The above marks indicate that the number of contacts is 21, the socket socket, the bonding wire at the end of the contact, and the J30J single-hole glass sintered gas seal socket welded to the shell.

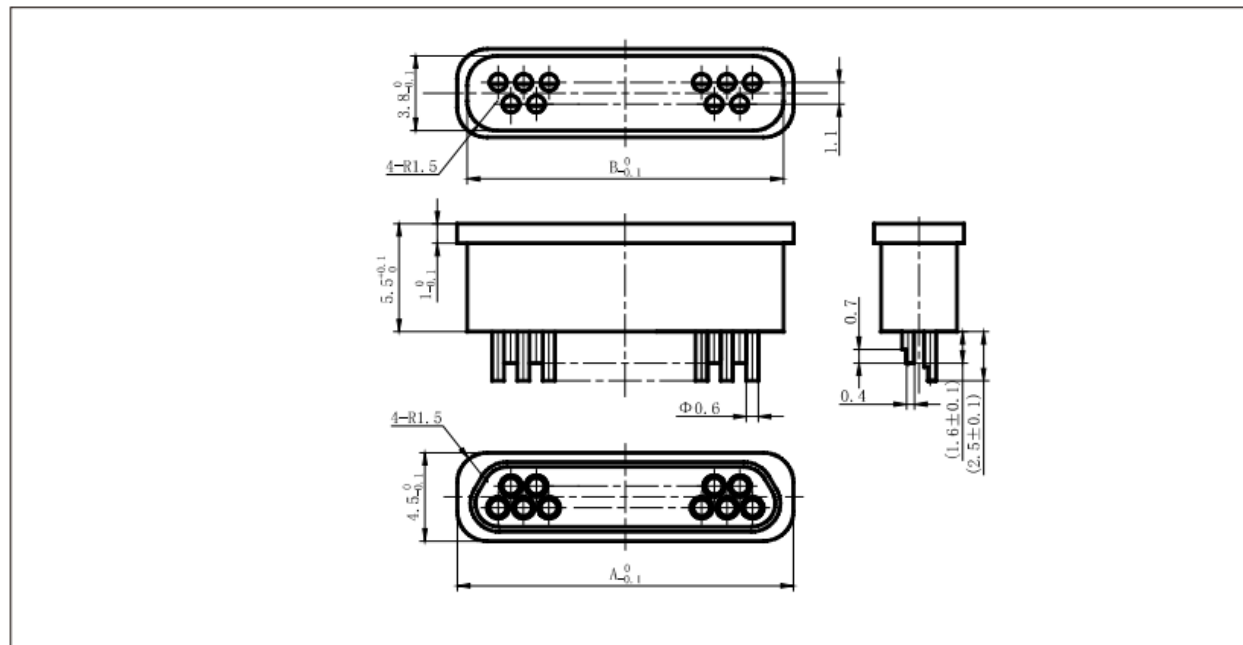
J30JMI series miniature rectangular electrical connector

- socket
- J30JMI-9、13、15、21、25、31、37

Product stereogram



Product dimensions drawing



Model number	A	B
J30JMI-9ZKS19	9.3	8.3
J30JMI-13ZKS19	11.7	10.7
J30JMI-15ZKS19	12.97	11.97
J30JMI-21ZKS19	16.8	15.8
J30JMI-25ZKS19	19.32	18.32
J30JMI-31ZKS19	23.2	22.2
J30JMI-37ZKS19	27	26

J30JX series miniature rectangular electrical connector

Brief introduction of characteristics

- Cores: 9, 15, 21, 25, 31, 37, 51, 74, 100
- Twisted elastic pin (twist needle), high contact density
- The cross-sectional area of the conductor core ranges from 0.1mm² to 0.15mm²
- Contact crimping wire
- The products meet the requirements of GJB2446 "General Specification for Housing Ultra-small Rectangular Electrical Connectors" (equivalent to MIL-C-83513)

Technical characteristics

- Housing: aluminum alloy, nickel-plated surface
- Insulator: Engineering plastic
- Contact: gold plated copper alloy
- Vibration: average 10Hz ~2000Hz acceleration: 196m/S²
- Impact: Acceleration 735m/S²
- Constant acceleration: 735m/S²
- Mechanical life: 500 cycles

Electrical performance

- Rated current: 3A
- Contact resistance: ≤10 mΩ
- Insulation resistance: ≥ 5000 mΩ
- Mechanical life: 500 cycles

Environmental performance

- Operating temperature: -55 °C ~+125 °C
- Relative humidity: 95% at 60°C
- Environmental resistance: 48 hours salt spray test

Order mark

J30JX - 100 TJ W × - J
 ① ② ③ ④ ⑤ ⑥

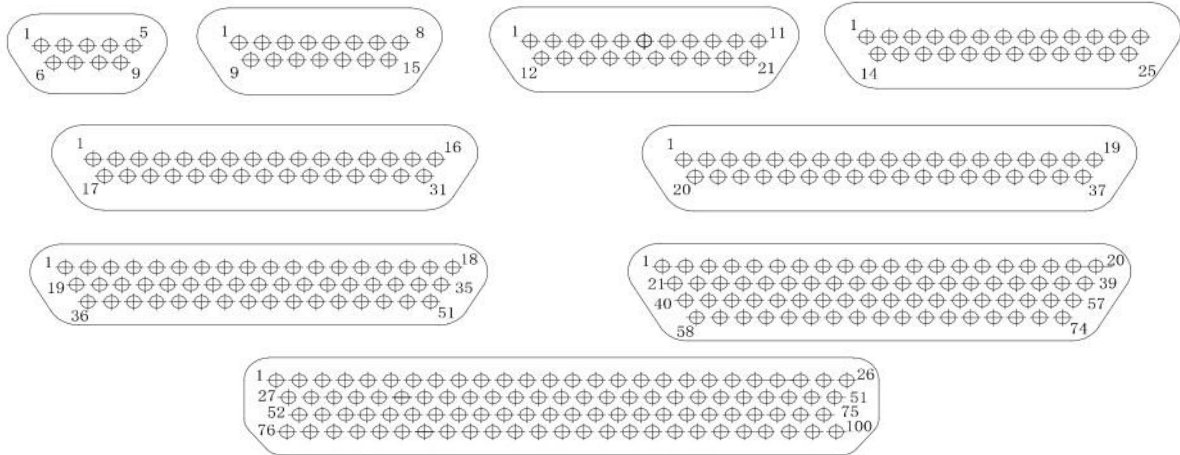
- ① Main name Code: J30JX
- ② Number of contact parts: 9, 15, 21, 25, 31, 37, 51, 74, 100
- ③ Connector and contact type: TJ- plug insert pin, ZK- socket insert, TJ, ZK are fixed
- ④ Contact end form: do not indicate - crimp; W-curved insert printed board;
- ⑤ Locking components:
- ⑥ changeType:

J30JX-25ZKW13P

The above mark indicates the number of contact parts 25 core, socket installation jack, bent insert printed board, locking components for P-type products

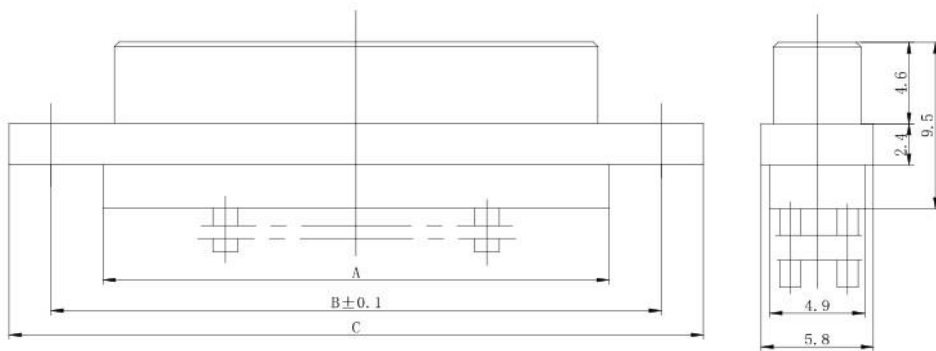
J30JX series miniature rectangular electrical connector

Spectral arrangement



Note: View from plug butt end

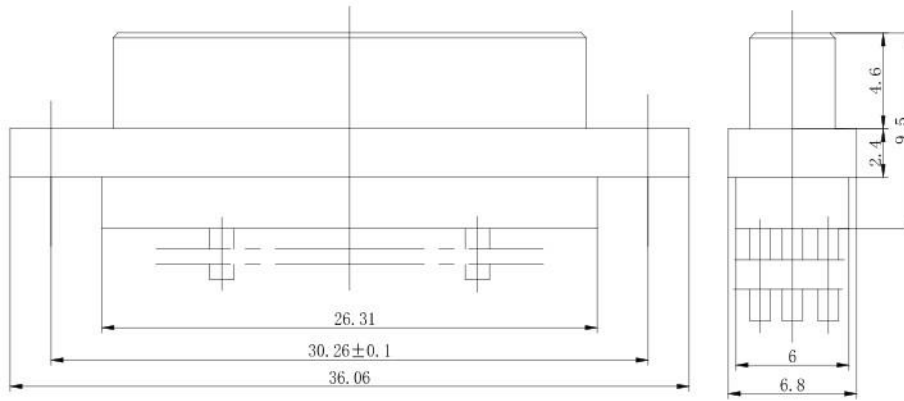
J30JX-9 ~ 37TJ dimensions



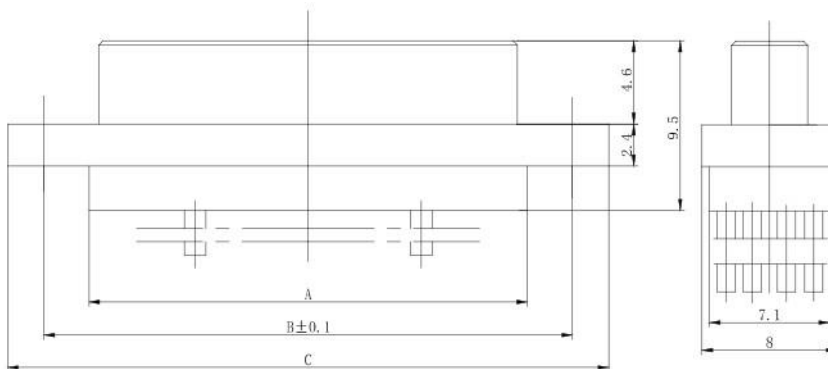
dimension	A	B	C
J30JX-9TJ	9.9	14.35	19.55
J30JX-15TJ	13.61	18.16	23.36
J30JX-21TJ	17.6	21.97	27.17
J30JX-25TJ	19.96	24.51	29.71
J30JX-31TJ	23.77	28.32	33.52
J30JX-37TJ	27.68	32.13	37.33

J30JX series miniature rectangular electrical connector

J30JX-51TJ Dimensions



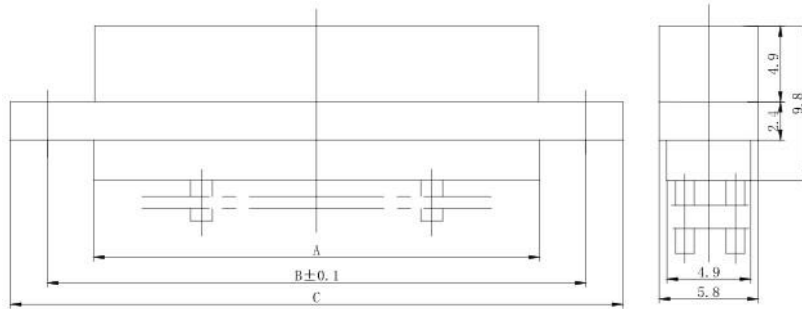
J30JX-74 ~ 100TJ Dimensions



dimension	A	B	C
J30J-74TJ	28.9	33.5	38.8
J30J-100TJ	35.35	40.9	46.1

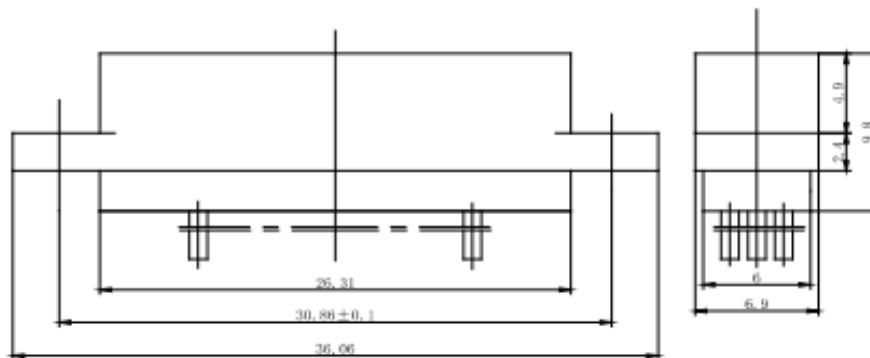
J30JX series miniature rectangular electrical connector

J30JX-9 ~ 37ZK dimensions



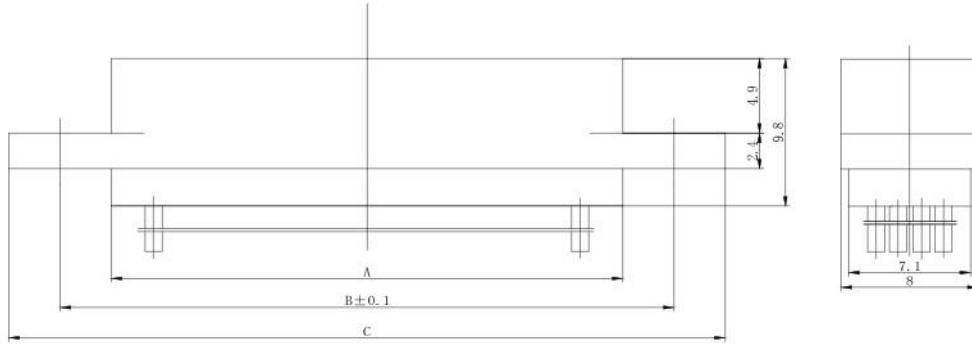
dimension	A	B	C
J30JX-9ZK	9.9	14.35	19.55
J30JX-15ZK	13.61	18.16	23.36
J30JX-21ZK	17.6	21.97	27.17
J30JX-25ZK	19.96	24.51	29.71
J30JX-31ZK	23.77	28.32	33.52
J30JX-37ZK	27.68	32.13	37.33

J30X-51ZK Dimensions



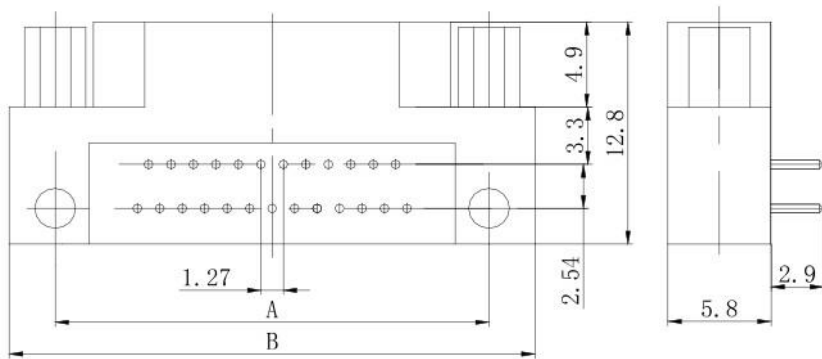
J30JX series miniature rectangular electrical connector

J30JX-74 ~ 100ZK dimensions



dimension	A	B	C
J30JX-74ZK	28.9	33.5	36.6
J30JX-100ZK	36.35	40.9	46.1

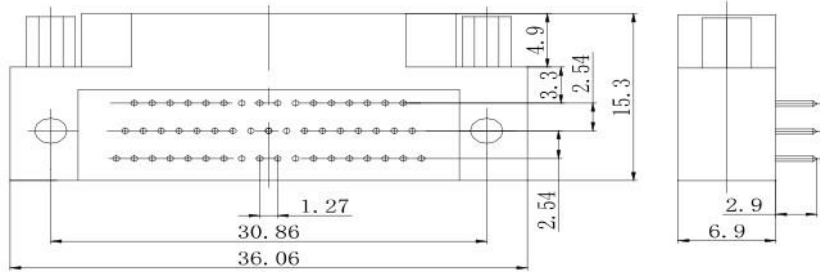
J30JX-9~37ZKW13P dimensions



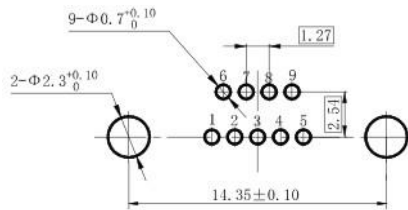
尺寸	A	B
J30JX-9ZKW13P	14.35	19.55
J30JX-15ZKW13P	18.16	23.36
J30JX-21ZKW13P	21.97	27.17
J30JX-25ZKW13P	24.51	29.71
J30JX-31ZKW13P	28.32	33.52
J30JX-37ZKW13P	32.13	37.33

J30JX series miniature rectangular electrical connector

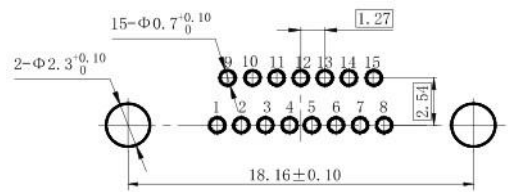
J30JX-51ZKW13P dimensions



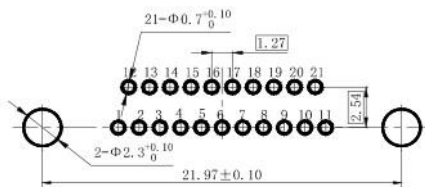
Printed board opening size



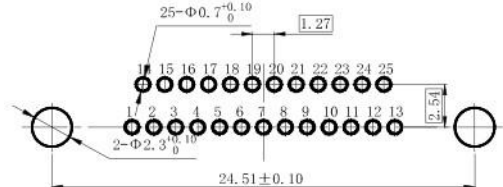
J30JX-9ZKW13P



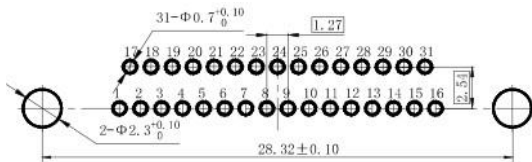
J30JX-15ZKW13P



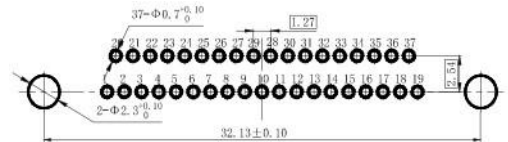
J30JX-21ZKW13P



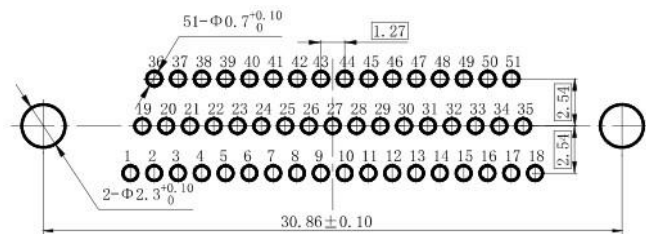
J30JX-25ZKW13P



J30JX-31ZKW13P



J30JX-37ZKW13P



J30JX-ZKW13P

J30JZ series highly reliable long life miniature rectangular electrical connector

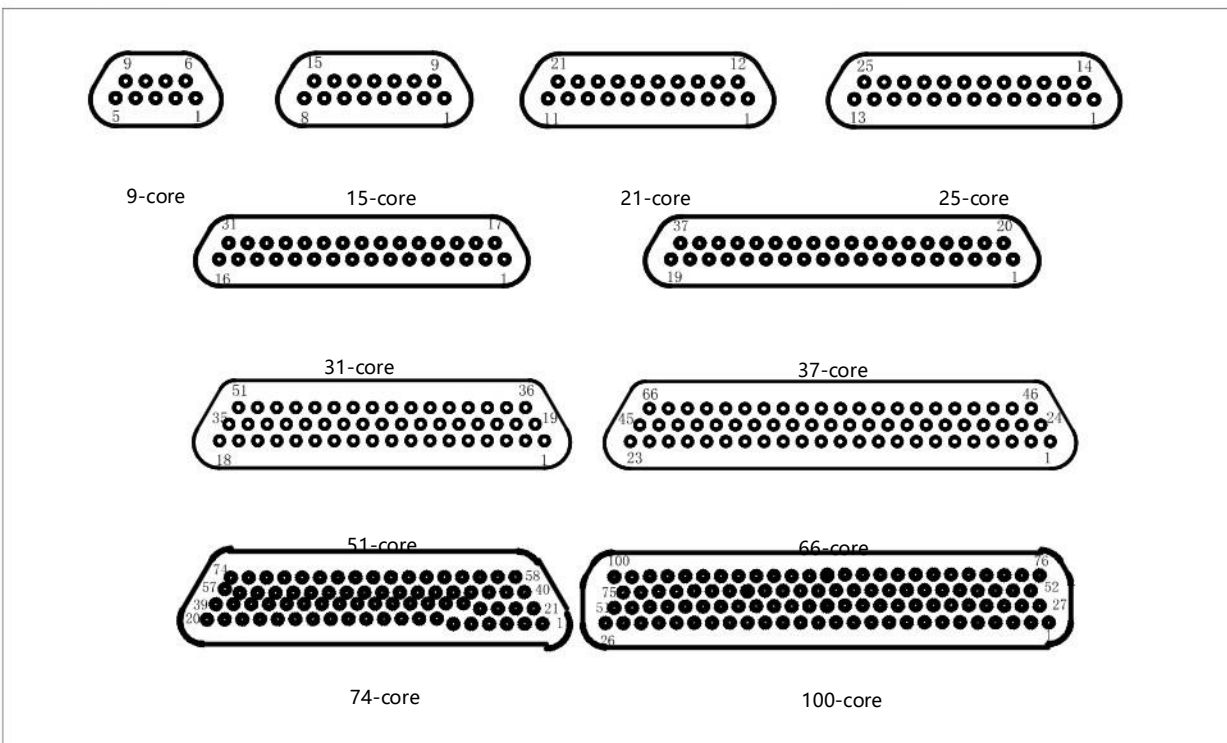
Brief introduction of characteristics

- Number of cores: 9, 15, 21, 25, 37, 51, 66, 74, 100;
- Contact part network (from the butt face) : spacing 1.27mm, row spacing 1.1mm;
- The end of the plug adopts the twisted wire type elastic pin with low inserting and pulling force, which has low inserting and pulling force, high contact reliability and long mechanical life.
- The form of the end of the contact part: crimping type, welding cup type, straight insert type, bent insert type;
- Conductor core area is 0.1mm² to 0.15mm². In addition, the conductor with a core cross-sectional area of 0.07mm² can also be used, but the product model needs to be specified.
- The overall size of this series of products is smaller than that of J30J conventional products of the same specification; The length is 5mm (min) shorter, the width is 2.9mm (min) smaller, and the height is 2mm (min) lower. The volume is only about 40% of J30J conventional products, and it is a reasonable and reliable micro-rectangular electrical connector.
- For thread strength and shell strength requirements are higher, the corresponding products of stainless steel shell material can be selected according to the naming regulations.
- The product performance meets the requirements of GJB2446

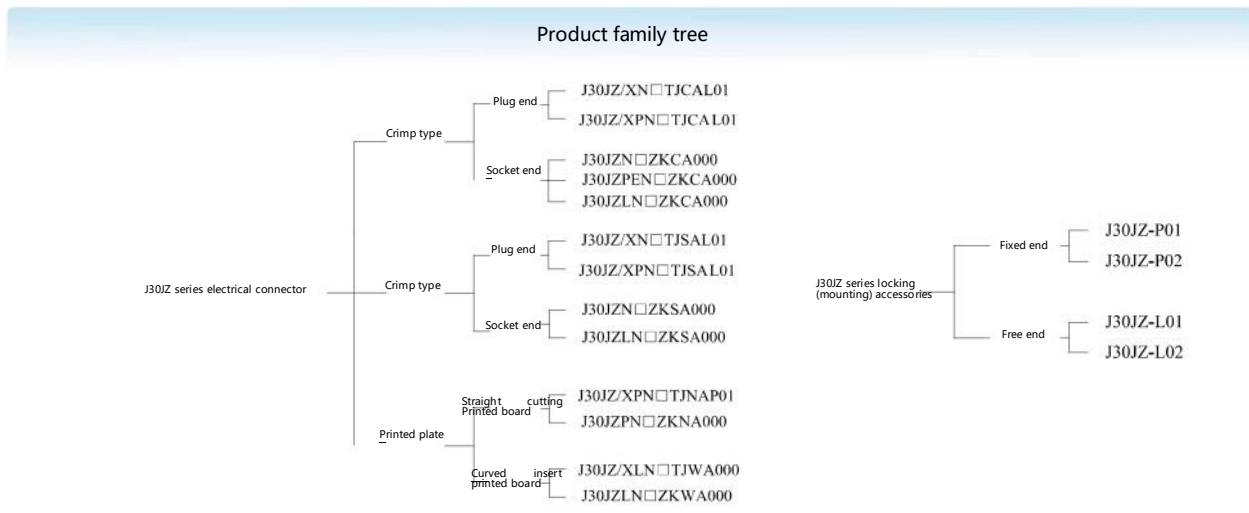
Technical characteristics

- Ambient temperature: -55°C~+125°C
- Oscillate: 10Hz ~ 2000Hz 196m/S² 196m/s²
- Random vibration: Power spectral density 0.4G²/Hz total speed root mean square value of 23.1G
- Impact: 735m/S 11ms
- Rated current: 3A
- Contact resistance: ≤10mΩ
- Insulation resistance: ≥ 5000m Ω
- Medium voltage: 600V
- Mechanical life: 20000 times

Spectral arrangement



J30JZ series highly reliable long life miniature rectangular electrical connector



Order mark

<u>J30JZ/X</u>	<u>×</u>	<u>×</u>	<u>×</u>	<u>TJ</u>	<u>CA</u>	<u>P01</u>	(Additional note)
<u>J30JZ</u>	<u>×</u>	<u>×</u>	<u>×</u>	<u>ZK</u>	<u>CA</u>	<u>L01</u>	(Additional note)
①	②	③	④	⑤	⑥	⑦	

- ① Main name code: J30JZ a miniature rectangular electrical connector smaller than J30J series conventional products of the same specifications;
J30JZ/X - J30JZ series Light power micro rectangular electrical connectors. Shell
- ② structure: P - vertical installation structure;
L - Horizontal installation structure
PE - the dimensions are the same as J30JZLNZKCA000 series products, the shell M2 thread hole butt end direction increases 2.8mm depth Phi 2.1 sink hole, suitable for L02 accessories,
Does not represent a free-end shell structure;
- ③ Material and surface treatment :N alloy nickel plating;
G - aluminum alloy plated with cadmium S -
Passivation of stainless steel.
- ④ Number of contacts: 9, 15, 21, 25, 31, 37, 51, 66, 74, 100 cores
- ⑤ Connector and contact type: TJ a plug insert pin;
ZK one socket with jack (TJ, ZK for fixed collocation);
- ⑥ Contact end form: CA - crimping;SA - welding;
NA a live printed board; Wa-curved insert printed board;
- ⑦ Locking component category: 000 -without locking component; P01-belt mounting screws to lock components; L01 with locking screws.

Note: Additional instructions are not part of the order mark. Please indicate the specifications of crimped wires in brackets when selecting, such as cross-sectional area, length and color of wires. If there is a special connection requirement, please give the connection relationship. J30JZPEN port ZKCA000 type socket, mainly suitable for the use of the free end of the need to butt lock; J30JZ in-line printed board series 74, 100 core pin Phi 0.4mm, in order to reduce the diameter of the PCB board solder pad (φ0.55mm), reduce the difficulty of the user's board layout process.

Examples of flags:

J30JZ/XN37TJCAL01 (Wire using AFR-250 0.12mm², wire length 300mm)

The above marks indicate that the shell structure is a free-end sling structure, and the material is aluminum alloy electroplated nickel, the number of contacts is 37 core, the plug insert pin, the contact end form is crimped, with J30JZ/X-L01 locking assembly, the wire brand is AFR-250, and the cross-sectional area of the wire core is 0.12mm², the length of the wire is not less than 300mm, the color of the wire is arbitrary, but the same batch of products should be unified and all hole positions are crimping the wire (where the additional instructions do not specify the color of the wire and do not mention the requirements of the connection wire of each hole position are according to this default, the color is not special, the default is white wire) J30JZ/X Rectangular electrical connector with low insertion and withdrawal force.

J30JZ series highly reliable long life miniature rectangular electrical connector

Plug J30JZ/X crimping Basic type: J30JZ/XN□TJCAL01

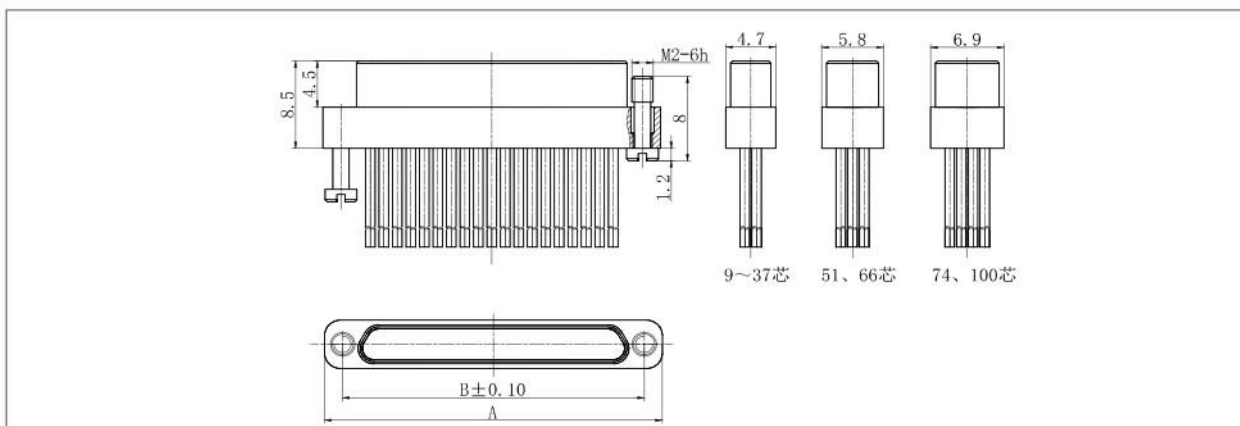
■ Free end shell structure products

Number of cores: 9, 15, 21, 25, 31, 37, 51, 66, 74, 100

Product Stereogram (37 cores)



Product dimensions drawing



J30JZ/XN □ TJCAL01

Order mark	A	B
J30JZ/XN9TJCAL01	14	10.6
J30JZ/XN15TJCAL01	17.8	14.4
J30JZ/XN21TJCAL01	21.6	18.2
J30JZ/XN25TJCAL01	24.2	20.8
J30JZ/XN31TJCAL01	28	24.6
J30JZ/XN37TJCAL01	31.8	28.4
J30JZ/XN51TJCAL01	30.5	27.1
J30JZ/XN66TJCAL01	36.9	33.5
J30JZ/XN74TJCAL01	33.1	29.7
J30JZ/XN100TJCAL01	40.7	37.3

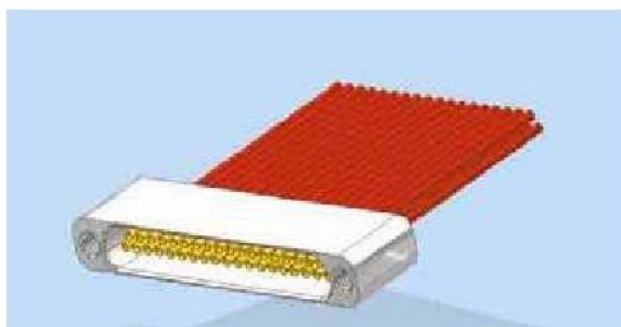
J30JZ series highly reliable long life miniature rectangular electrical connector

Socket J30JZ/X crimping basic type: J30JZN□ZKCA000

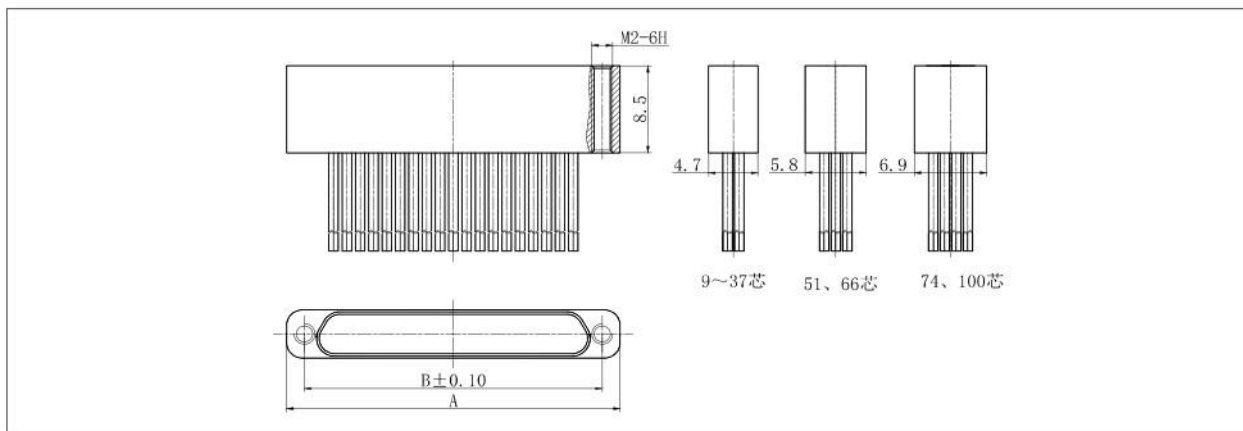
■ Vertical mounting

Number of cores: 9, 15, 21, 25, 31, 37, 51, 66, 74, 100

Product Stereogram (37 cores)



Product dimensions drawing



J30JZN □ ZKCA000

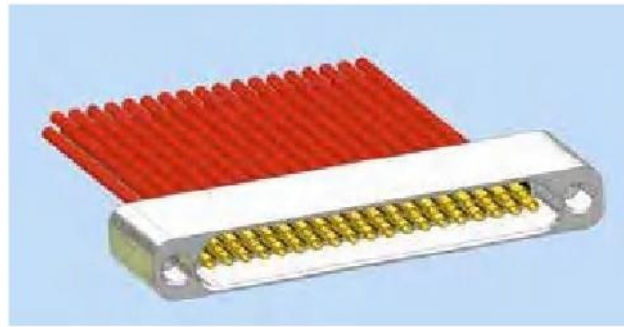
Order mark	A	B
J30JZN9ZKCA000	14	10.6
J30JZN15ZKCA000	17.8	14.4
J30JZN21ZKCA000	21.6	18.2
J30JZN25ZKCA000	24.2	20.8
J30JZN31ZKCA000	28	24.6
J30JZN37ZKCA000	31.8	28.4
J30JZN51ZKCA000	30.5	27.1
J30JZN66ZKCA000	36.9	33.5
J30JZN74ZKCA000	33.1	29.7
J30JZN100ZKCA000	40.7	37.3

J30JZ series highly reliable long life miniature rectangular electrical connector

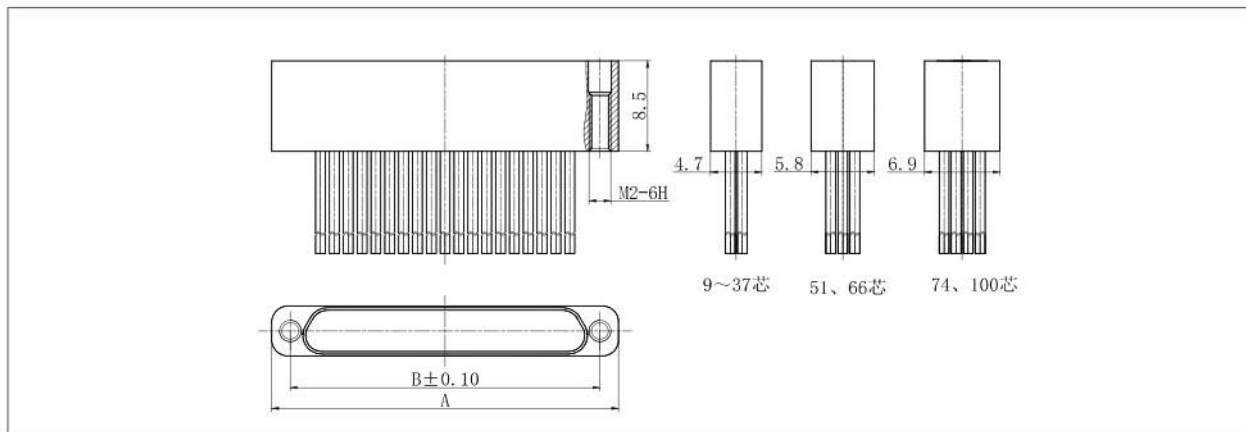
Socket J30JZ crimping basic type J30JZPEN□ZKCA000

- Vertical installation of the modified housing structure, the need to lock the plug with the L02 locking screw Number of cores: 9, 15, 21, 25, 31, 37, 51, 66, 74, 100

Product Stereogram (37 cores)



Product dimensions drawing



J30JZPEN □ ZKCA000

Order mark	A	B
J30JZPEN9ZKCA000	14	10.6
J30JZPEN15ZKCA000	17.8	14.4
J30JZPEN21ZKCA000	21.6	18.2
J30JZPEN25ZKCA000	24.2	20.8
J30JZPEN31ZKCA000	28	24.6
J30JZPEN37ZKCA000	31.8	28.4
J30JZPEN51ZKCA000	30.5	27.1
J30JZPEN66ZKCA000	36.9	33.5
J30JZPEN74ZKCA000	33.1	29.7
J30JZPEN100ZKCA000	40.7	37.3

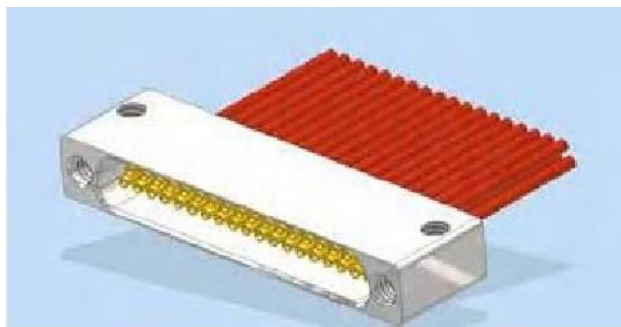
J30JZ series highly reliable long life miniature rectangular electrical connector

Socket J30JZ crimping basic type: J30JZLN□ZKCA000

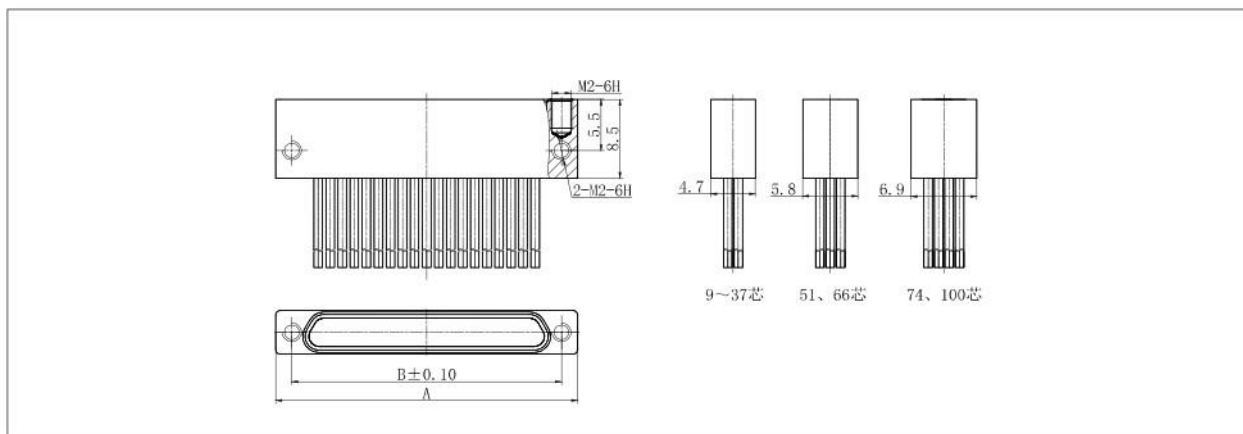
■ Horizontal mounting structure

Number of cores: 9, 15, 21, 25, 31, 37, 51, 66, 74, 100

Product Stereogram (37 cores)



Product dimensions drawing



J30JZLN □ ZKCA000

Order mark	A	B
J30JZLN9ZKCA000	14	10.6
J30JZLN15ZKCA000	17.8	14.4
J30JZLN21ZKCA000	21.6	18.2
J30JZLN25ZKCA000	24.2	20.8
J30JZLN31ZKCA000	28	24.6
J30JZLN37ZKCA000	31.8	28.4
J30JZLN51ZKCA000	30.5	27.1
J30JZLN66ZKCA000	36.9	33.5
J30JZLN74ZKCA000	33.1	29.7
J30JZLN100ZKCA000	40.7	37.3

J30JZ series highly reliable long life miniature rectangular electrical connector

Plug J30JZ/X crimp basic type V30JZ/XPN□TJCAP01

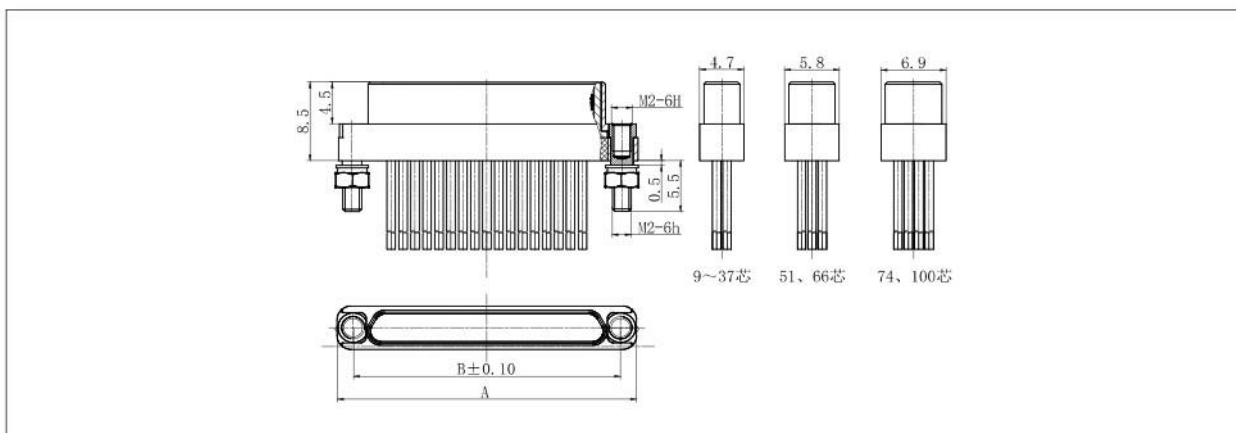
■ Vertical mounting shell structure

Number of cores: 9, 15, 21, 25, 31, 37, 51, 66, 74, 100

Product Stereogram (37 cores)



Product dimensions drawing



J30JZ/XPN □ TJCAP01

Order mark	A	B
J30JZ/XPN9TJCAP01	14	10.6
J30JZ/XPN15TJCAP01	17.8	14.4
J30JZ/XPN21TJCAP01	21.6	18.2
J30JZ/XPN25TJCAP01	24.2	20.8
J30JZ/XPN31TJCAP01	28	24.6
J30JZ/XPN37TJCAP01	31.8	28.4
J30JZ/XPN51TJCAP01	30.5	27.1
J30JZ/XPN66TJCAP01	36.9	33.5
J30JZ/XPN74TJCAP01	33.1	29.7
J30JZ/XPN100TJCAP01	40.7	37.3

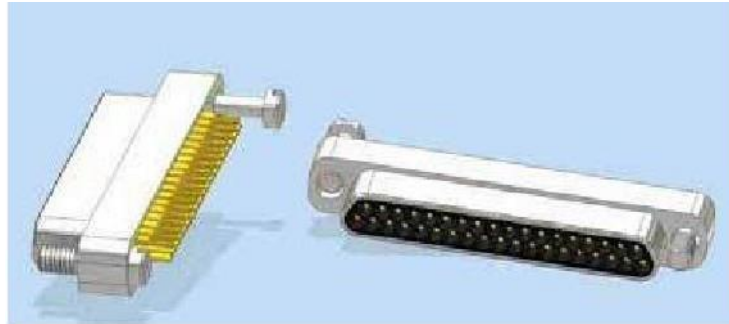
J30JZ series highly reliable long life miniature rectangular electrical connector

Plug J30JZ/X welded type: J30JZ/XN□TJSAL01

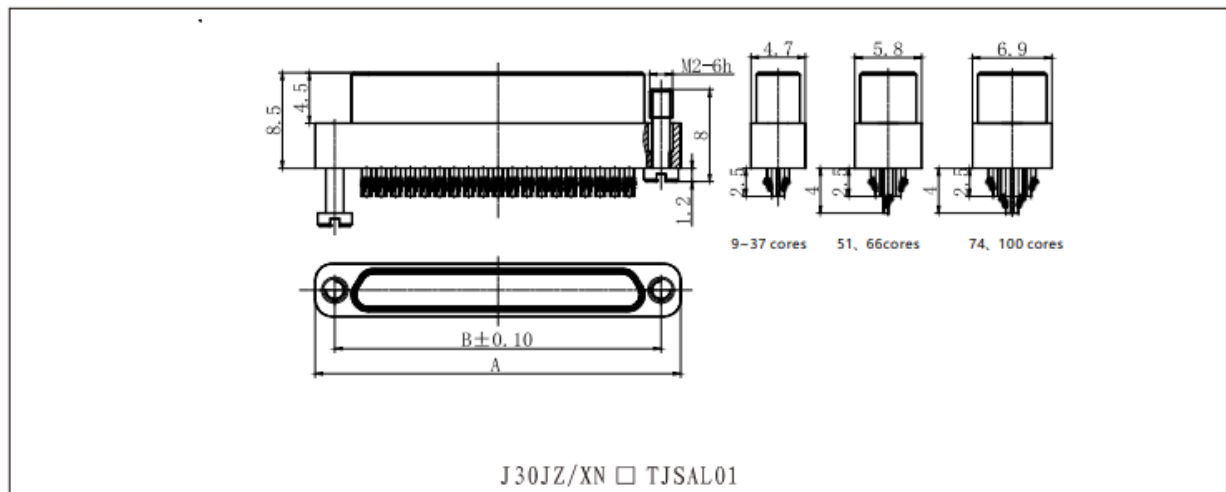
■ Free end shell structure

Number of cores: 9, 15, 21, 25, 31, 37, 51, 66, 74, 100

Product Stereogram (37 cores)



Product dimensions drawing



Order mark	A	B
J30JZ/XN9TJSAL01	14	10.6
J30JZ/XN15TJSAL01	17.8	14.4
J30JZ/XN21TJSAL01	21.6	18.2
J30JZ/XN25TJSAL01	24.2	20.8
J30JZ/XN31TJSAL01	28	24.6
J30JZ/XN37TJSAL01	31.8	28.4
J30JZ/XN51TJSAL01	30.5	27.1
J30JZ/XN66TJSAL01	36.9	33.5
J30JZ/XN74TJSAL01	33.1	29.7
J30JZ/XN100TJSAL01	40.7	37.3

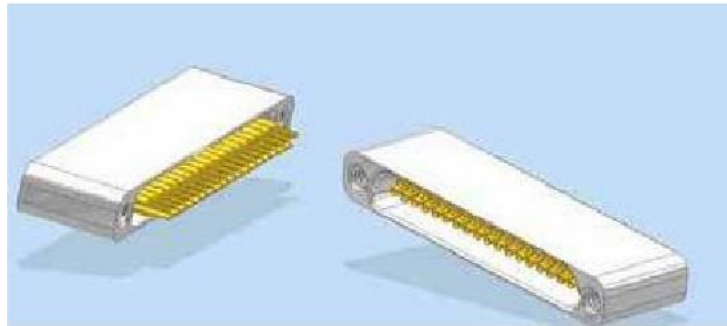
J30JZ series highly reliable long life miniature rectangular electrical connector

Socket J30JZ welding type :J30JZN□ZKSA000

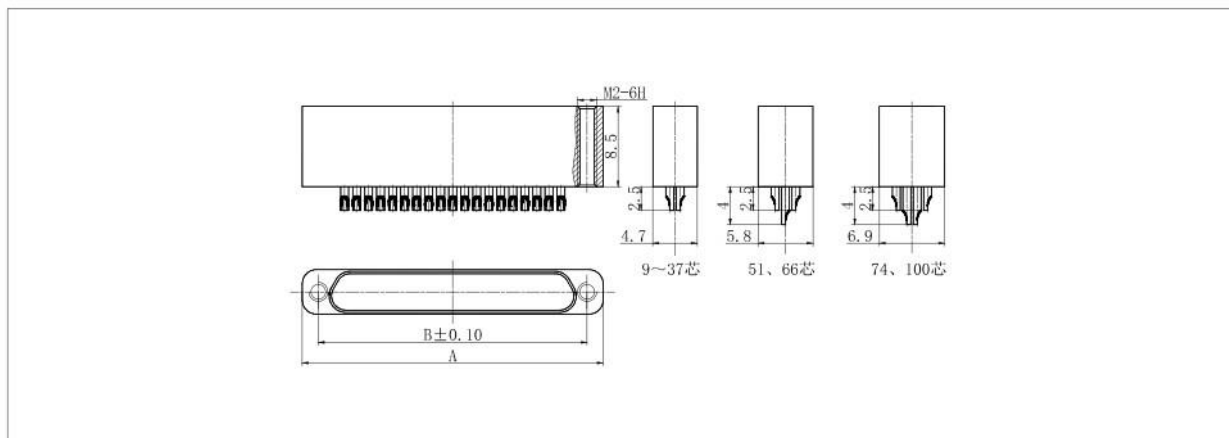
■ Free end housing construction (can be vertically mounted)

Number of cores: 9, 15, 21, 25, 31, 37, 51, 66, 74, 100

Product Stereogram (37 cores)



Product dimensions drawing



J30JZN □ ZKSA000

Order mark	A	B
J30JZN9ZKSA000	14	10.6
J30JZN15ZKSA000	17.8	14.4
J30JZN21ZKSA000	21.6	18.2
J30JZN25ZKSA000	24.2	20.8
J30JZN31ZKSA000	28	24.6
J30JZN37ZKSA000	31.8	28.4
J30JZN51ZKSA000	30.5	27.1
J30JZN66ZKSA000	36.9	33.5
J30JZN74ZKSA000	33.1	29.7
J30JZN100ZKSA000	40.7	37.3

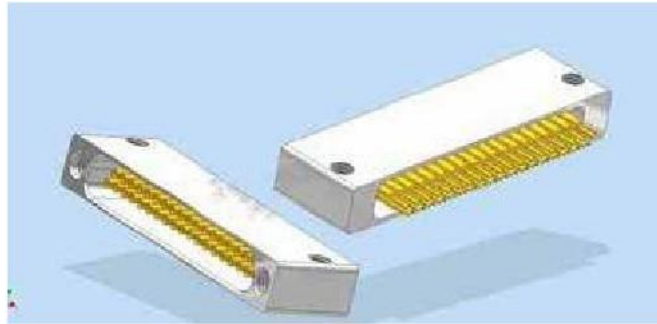
J30JZ series highly reliable long life miniature rectangular electrical connector

Socket J30JZ welding type: J30JZLN□ZKSA000

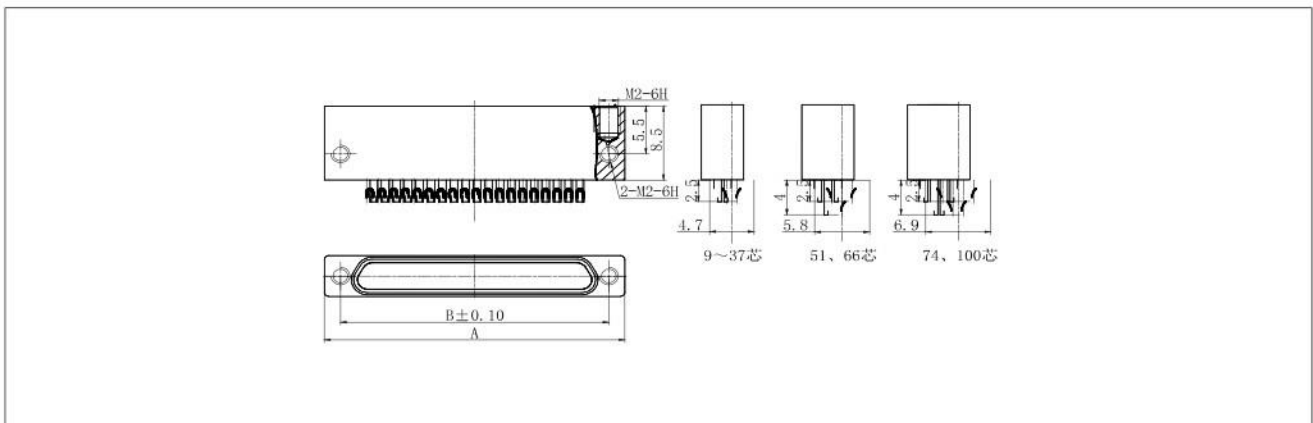
■ Horizontal mounting structure

Number of cores: 9, 15, 21, 25, 31, 37, 51, 66, 74, 100

Product Stereogram (37 cores)



Product dimensions drawing



J30JZLN □ ZKSA000

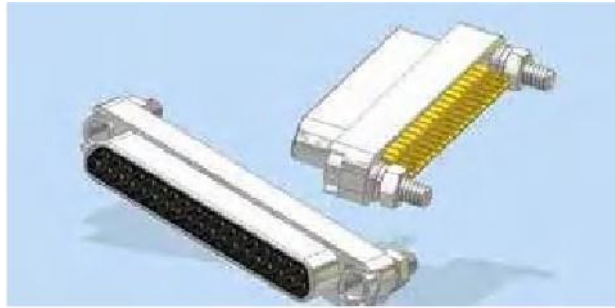
Order mark	A	B
J30JZLN9ZKSA000	14	10.6
J30JZLN15ZKSA000	17.8	14.4
J30JZLN21ZKSA000	21.6	18.2
J30JZLN25ZKSA000	24.2	20.8
J30JZLN31ZKSA000	28	24.6
J30JZLN37ZKSA000	31.8	28.4
J30JZLN51ZKSA000	30.5	27.1
J30JZLN66ZKSA000	36.9	33.5
J30JZLN74ZKSA000	33.1	29.7
J30JZLN100ZKSA000	40.7	37.3

J30JZ series highly reliable long life miniature rectangular electrical connector

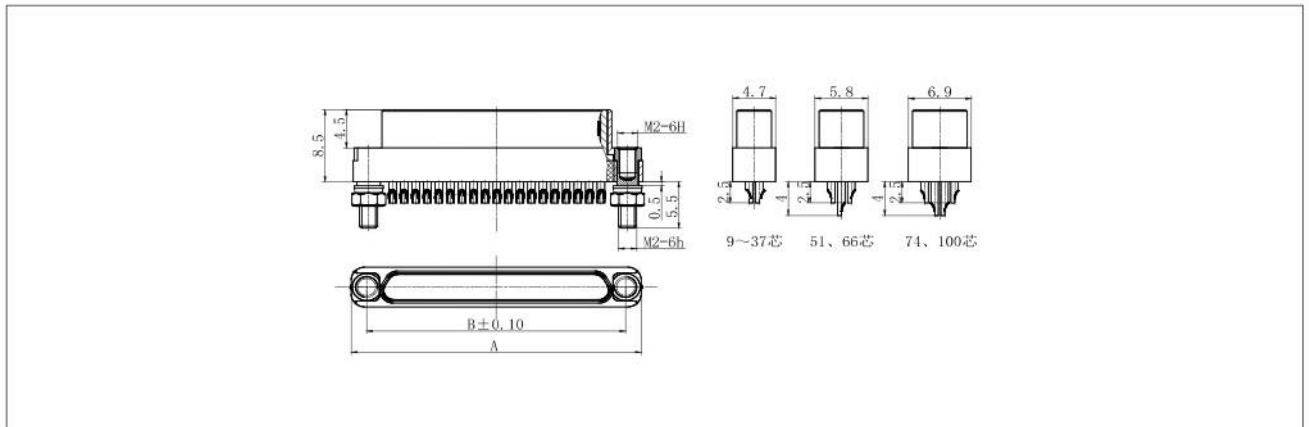
Plug J30JZ/X welded type \J30JZ/XPN□TJSAP01

- Vertical mounting shell structure
- Number of cores: 9, 15, 21, 25, 31, 37, 51, 66, 74, 100

Product Stereogram (37 cores)



Product dimensions drawing



J30JZ/XPN □ TJSAP01

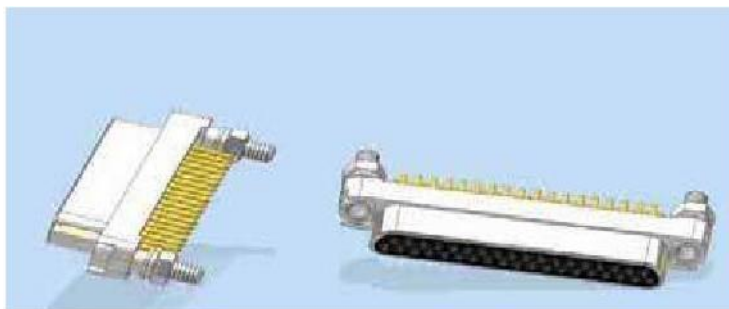
Order mark	A	B
J30JZ/XPN9TJSAP01	14	10.6
J30JZ/XPN15TJSAP01	17.8	14.4
J30JZ/XPN21TJSAP01	21.6	18.2
J30JZ/XPN25TJSAP01	24.2	20.8
J30JZ/XPN31TJSAP01	28	24.6
J30JZ/XPN37TJSAP01	31.8	28.4
J30JZ/XPN51TJSAP01	30.5	27.1
J30JZ/XPN66TJSAP01	36.9	33.5
J30JZ/XPN74TJSAP01	33.1	29.7
J30JZ/XPN100TJSAP01	40.7	37.3

J30JZ series highly reliable long life miniature rectangular electrical connector

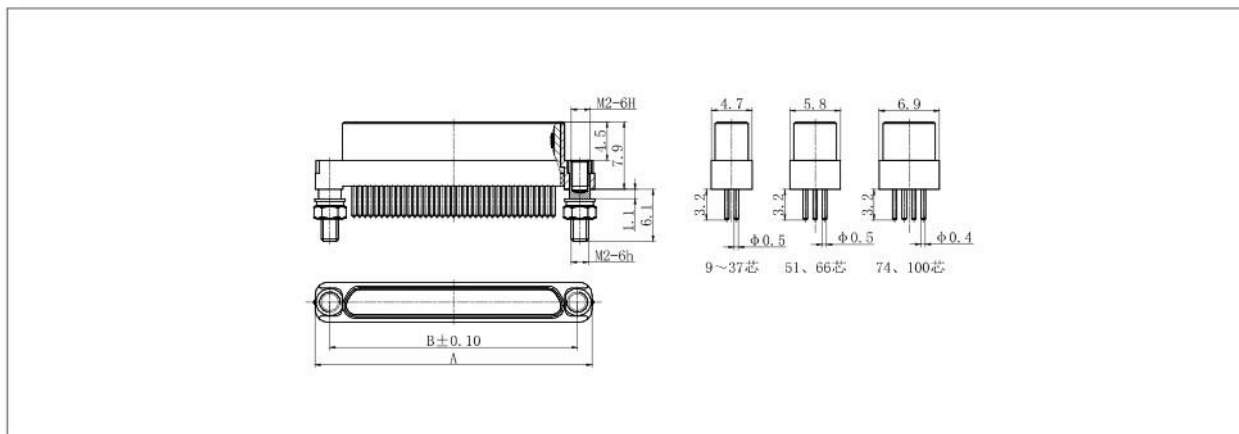
Plug J30JZ/X straight insert \J30JZ/XPNTJNAP01

■ Vertical installation, suitable for printed board thickness: 2.5 (max), network spacing (spacing × row spacing) : 1.27×1.1 Number of cores: 9, 15, 21, 25, 31, 37, 51, 66, 74, 100

Product Stereogram (37 cores)



Product dimensions drawing



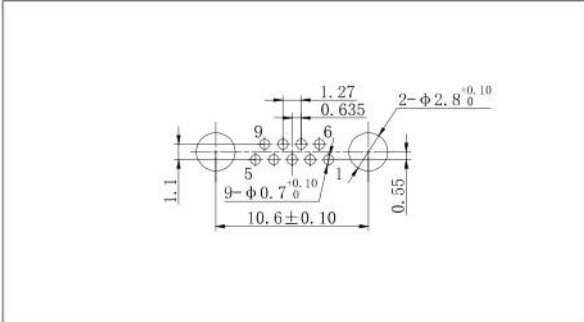
J30JZ/XPNTJNAP01

Order mark	A	B
J30JZ/XPNTJNAP01	14	10.6
J30JZ/XPNT15TJNAP01	17.8	14.4
J30JZ/XPNT21TJNAP01	21.6	18.2
J30JZ/XPNT25TJNAP01	24.2	20.8
J30JZ/XPNT31TJNAP01	28	24.6
J30JZ/XPNT37TJNAP01	31.8	28.4
J30JZ/XPNT51TJNAP01	30.5	27.1
J30JZ/XPNT66TJNAP01	36.9	33.5
J30JZ/XPNT74TJNAP01	33.1	29.7
J30JZ/XPNT100TJNAP01	40.7	37.3

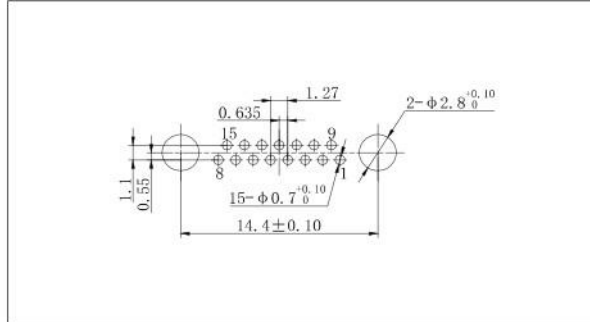
J30JZ series highly reliable long life miniature rectangular electrical connector

Preferred size of printed board opening

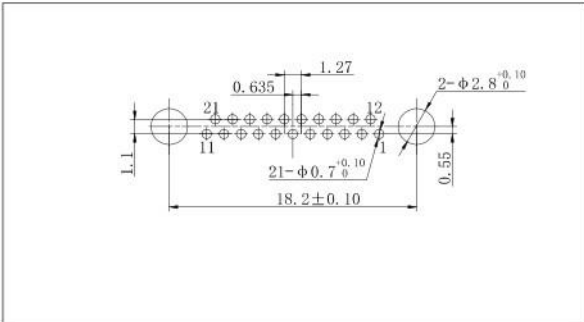
■ J30JZ/XPN9TJNAP01



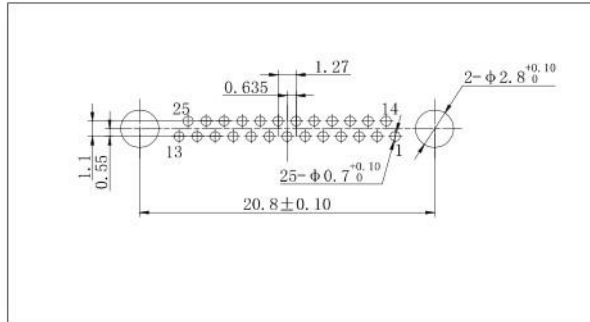
■ J30JZ/XPN15TJNAP01



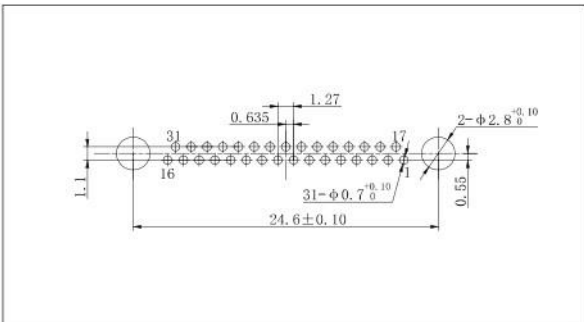
■ J30JZ/XPN21TJNAP01



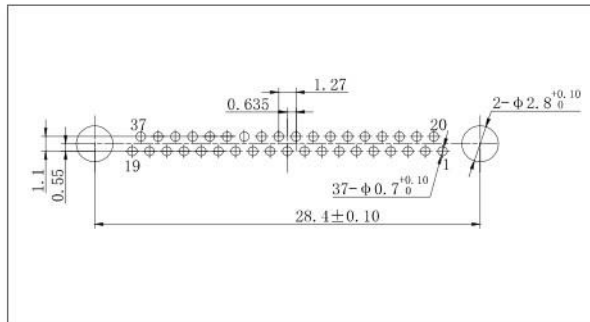
■ J30JZ/XPN25TJNAP01



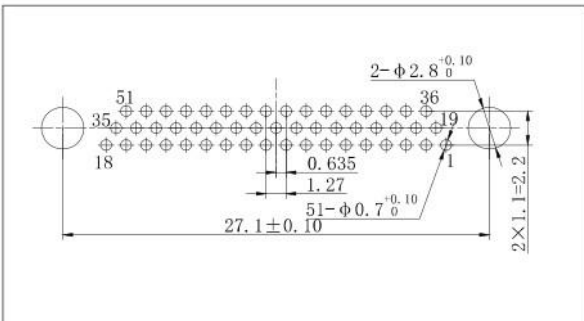
■ J30JZ/XPN31TJNAP01



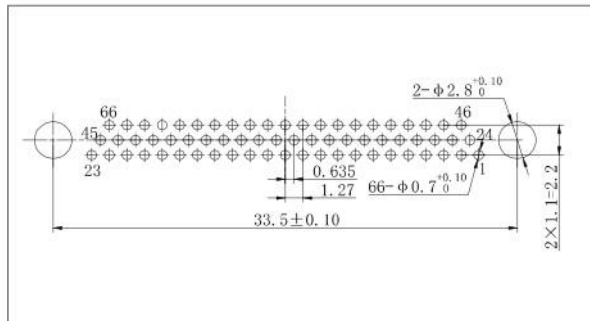
■ J30JZ/XPN37TJNAP01



■ J30JZ/XPN51TJNAP01



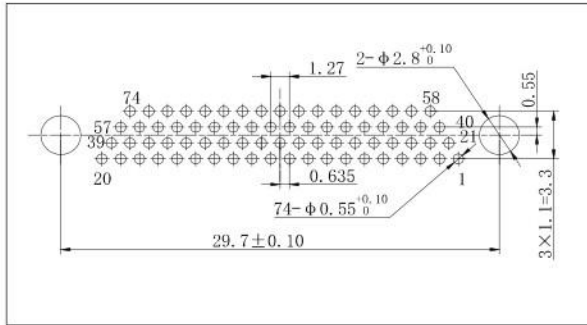
■ J30JZ/XPN66TJNAP01



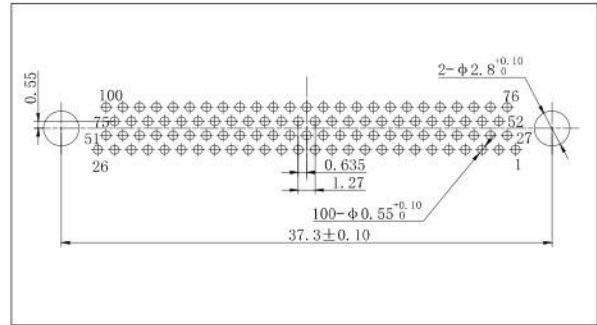
J30JZ series highly reliable long life miniature rectangular electrical connector

Preferred size of printed board opening

■ J30JZ/XPN74TJNAP01



■ J30JZ/XPN100TJNAP01

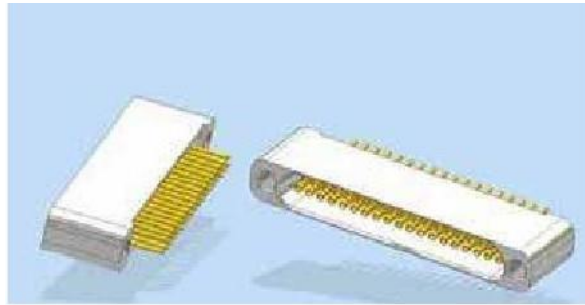


J30JZ series highly reliable long life miniature rectangular electrical connector

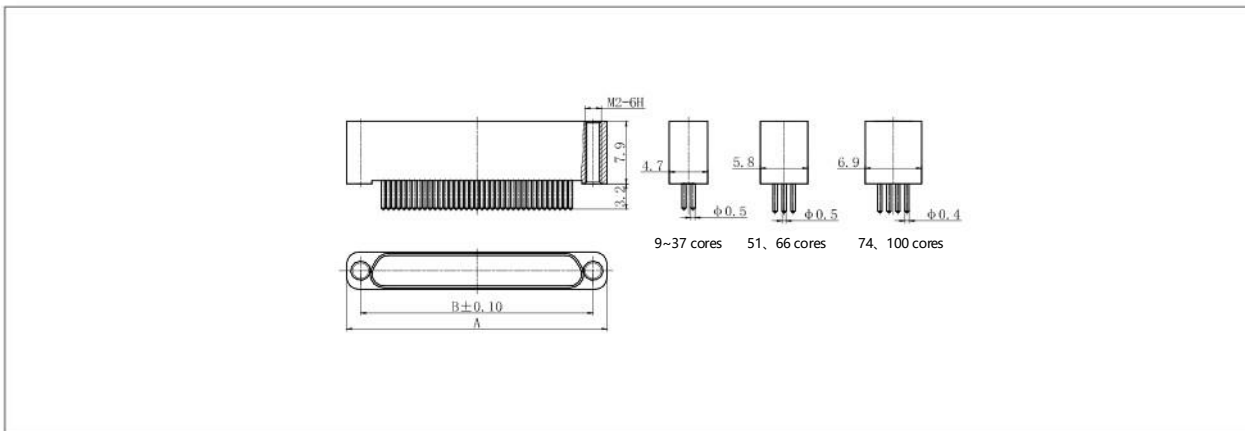
Socket J30JZ live /J30J1PN□ZKNA000

- Vertical installation, suitable for printed board thickness: 2.5mm (max), network spacing (spacing × row spacing) : 1.27×1.1 Number of cores: 9, 15, 21, 25, 31, 37, 51, 66, 74, 100

Product Stereogram (37 cores)



Product dimensions drawing



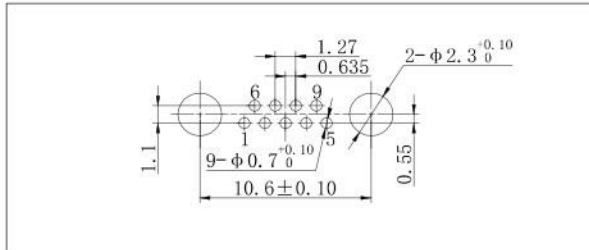
J30JZPN □ ZKNA000

Order mark	A	B
J30JZPN9ZKNA000	14	10.6
J30JZPN15ZKNA000	17.8	14.4
J30JZPN21ZKNA000	21.6	18.2
J30JZPN25ZKNA000	24.2	20.8
J30JZPN31ZKNA000	28	24.6
J30JZPN37ZKNA000	31.8	28.4
J30JZPN51ZKNA000	30.5	27.1
J30JZPN66ZKNA000	36.9	33.5
J30JZPN74ZKNA000	33.1	29.7
J30JZPN100ZKNA000	40.7	37.3

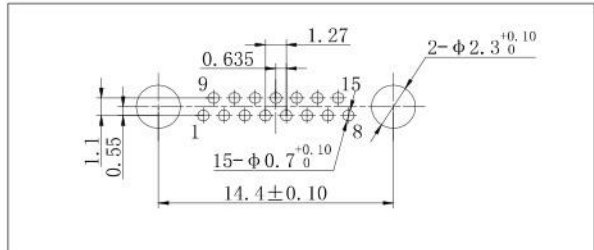
J30JZ series highly reliable long life miniature rectangular electrical connector

Preferred size of printed board opening

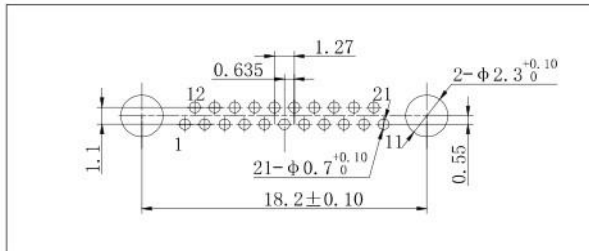
■ J30JZPN9ZKNA000



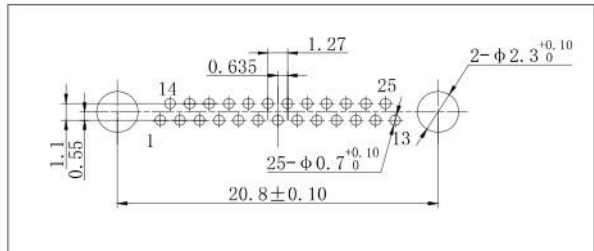
■ J30JZPN15ZKNA000



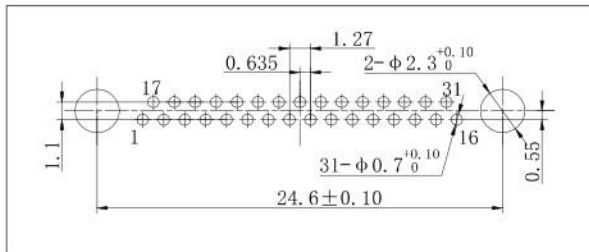
■ J30JZPN21ZKNA000



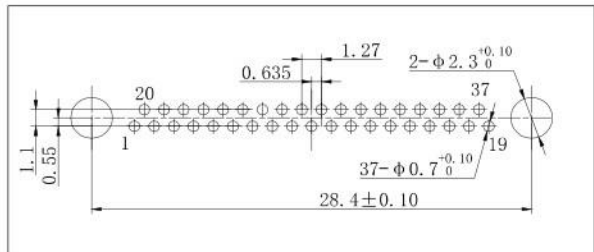
■ J30JZPN25ZKNA000



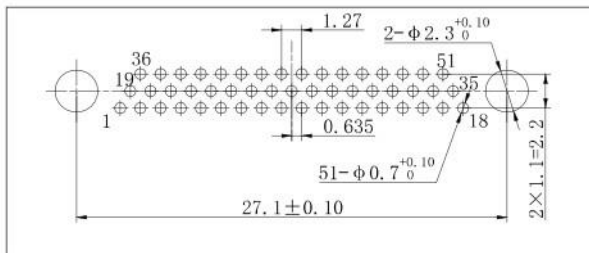
■ J30JZPN31ZKNA000



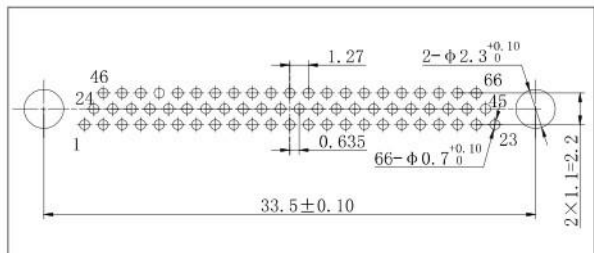
■ J30JZPN37ZKNA000



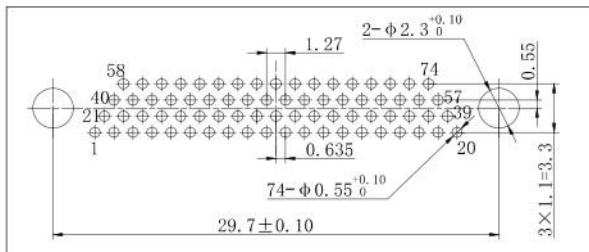
■ J30JZPN51ZKNA000



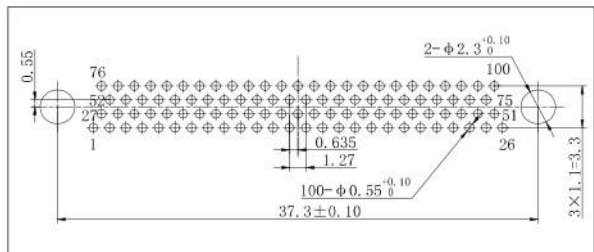
■ J30JZPN66ZKNA000



■ J30JZPN74ZKNA000



■ J30JZPN100ZKNA000



J30JZ series highly reliable long life miniature rectangular electrical connector

Plug J30JZ/X bent insert \J30JZ/XLN□TJWA000

- Applicable to printed board thickness: 2mm (max), network spacing (spacing × row spacing) : 1.27 × 2 Number of cores: 9, 15, 21, 25, 31, 37, 51, 66, 74, 100

Product stereogram



37 core

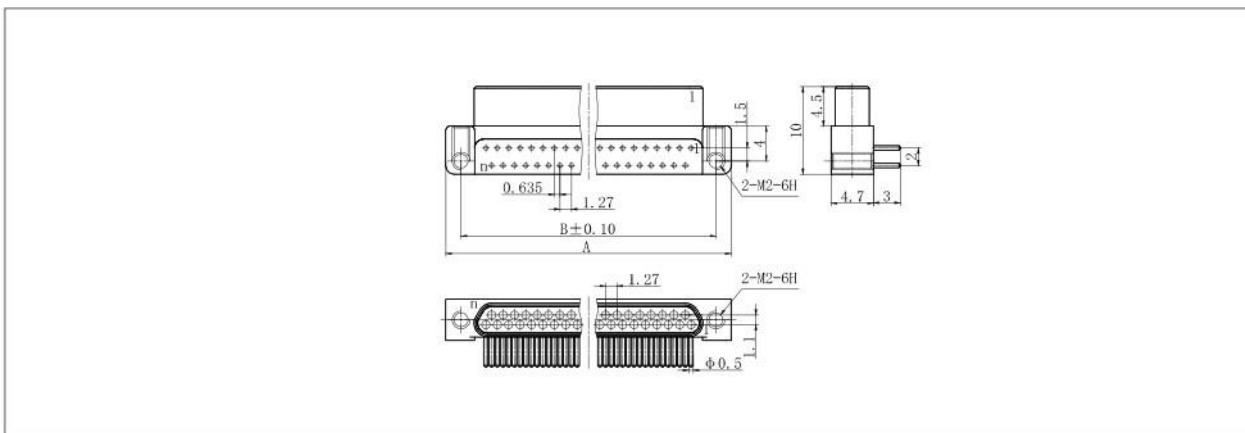


66 core



100 core

Product dimensions drawing

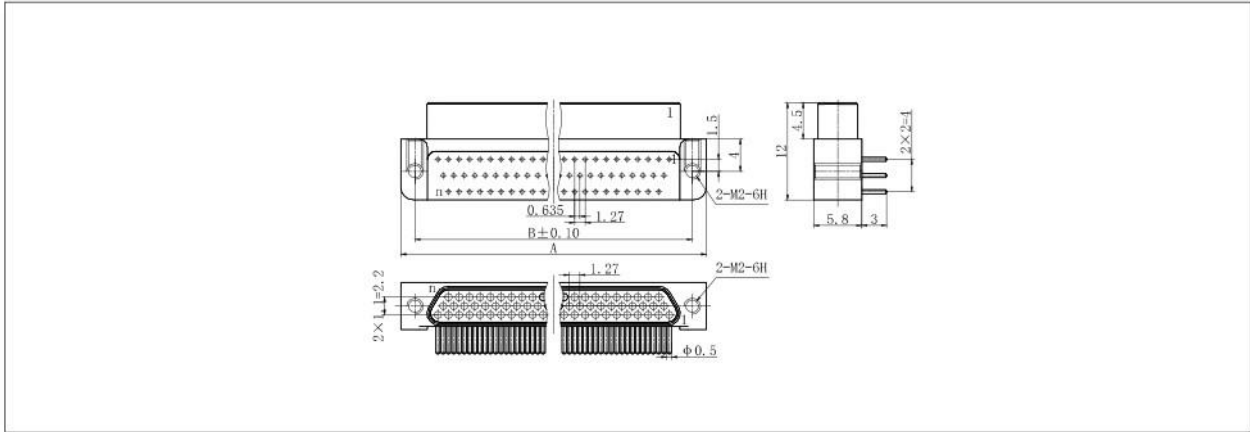


J30JZ/XLN □ TJWA000 (9、15、21、25、31、37 芯)

Order mark	A	B	n
J30JZ/XLN9TJWA000	14	10.6	9
J30JZ/XLN15TJWA000	17.8	14.4	15
J30JZ/XLN21TJWA000	21.6	18.2	21
J30JZ/XLN25TJWA000	24.2	20.8	25
J30JZ/XLN31TJWA000	28	24.6	31
J30JZ/XLN37TJWA000	31.8	28.4	37

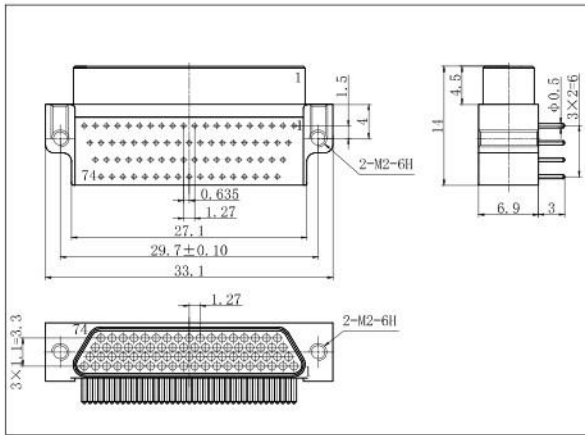
J30JZ series highly reliable long life miniature rectangular electrical connector

Product dimensions drawing

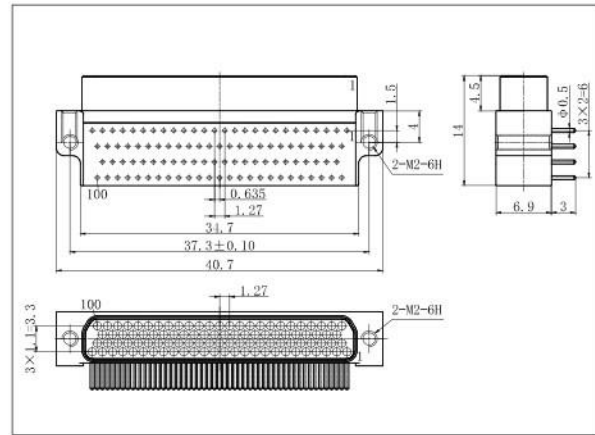


J30JZ/XLN□TJWA000(51、66 core)

Order mark	A	B	n



J30JZ/XLN74TJWA000

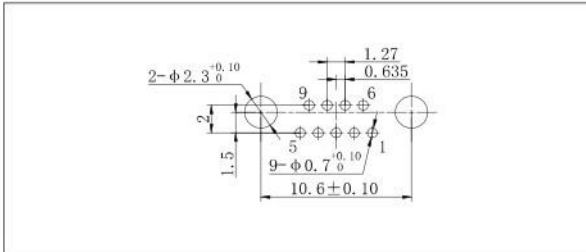


J30JZ/XLN100TJWA000

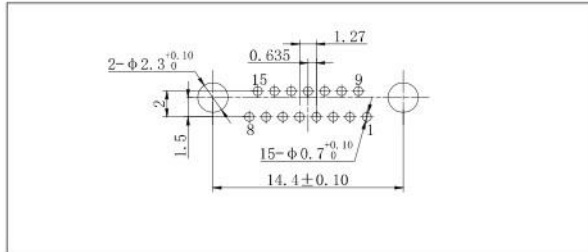
J30JZ series highly reliable long life miniature rectangular electrical connector

Preferred size of printed board opening

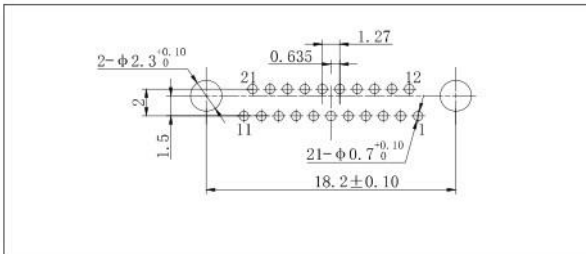
■ J30JZ/XLN9TJWA000



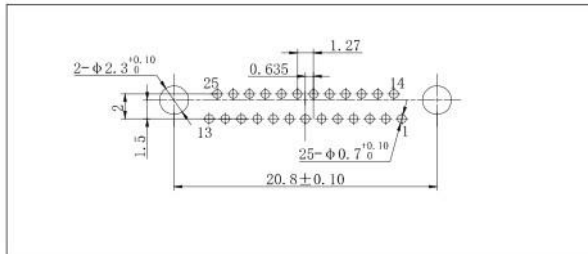
■ J30JZ/XLN15TJWA000



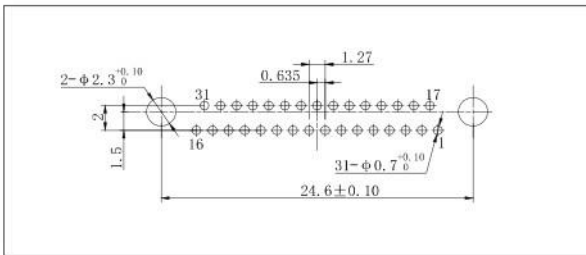
■ J30JZ/XLN21TJWA000



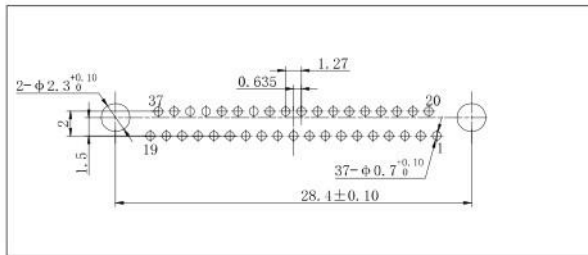
■ J30JZ/XLN25TJWA000



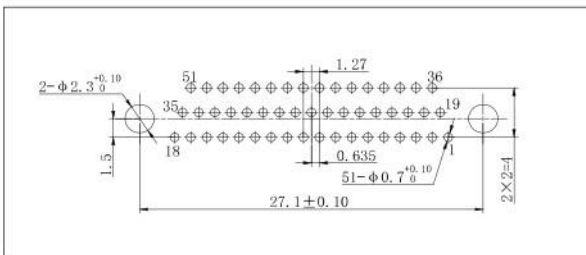
■ J30JZ/XLN31TJWA000



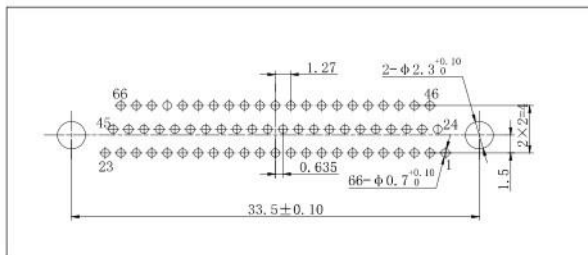
■ J30JZ/XLN37TJWA000



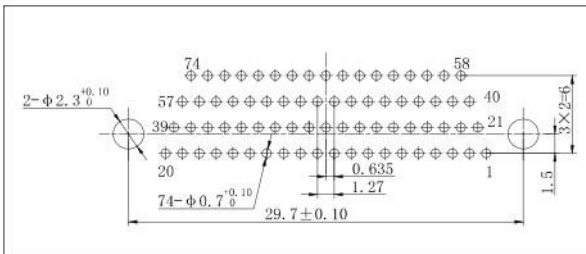
■ J30JZ/XLN51TJWA000



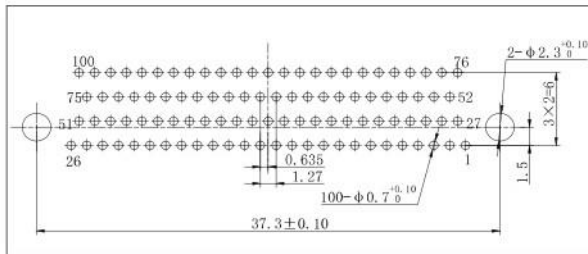
■ J30JZ/XLN66TJWA000



■ J30JZ/XLN74TJWA000



■ J30JZ/XLN100TJWA000



J30JZ series highly reliable long life miniature rectangular electrical connector

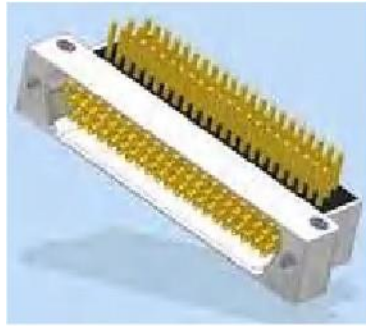
Plug J30JZ curved insert VJ30JZLN□ZKWA000

- Applicable to printed board thickness: 2mm (max), network spacing (spacing × row spacing) : 1.27 × 2 Number of cores: 9, 15, 21, 25, 31, 37, 51, 66, 74, 100

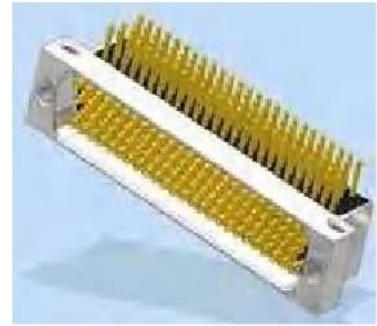
Product stereogram



37 core

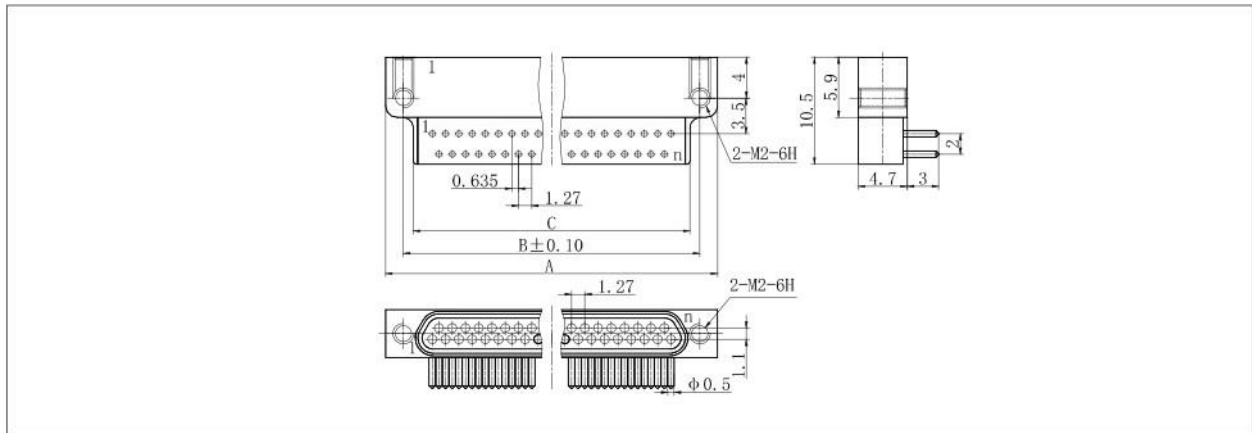


66 core



100 core

Product dimensions drawing

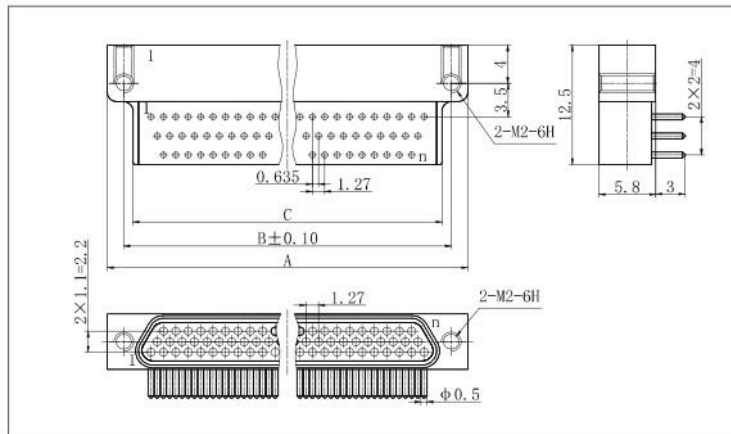


J30JZLN□ZKWA000(9, 15, 21, 25, 31, 37 cores)

Order mark	A	B	C	n
J30JZLN9ZKWA000	14	10.6	8.7	9
J30JZLN15ZKWA000	17.8	14.4	12.5	15
J30JZLN21ZKWA000	21.6	18.2	16.3	21
J30JZLN25ZKWA000	24.2	20.8	18.9	25
J30JZLN31ZKWA000	28	24.6	22.7	31
J30JZLN37ZKWA000	31.8	28.4	26.5	37

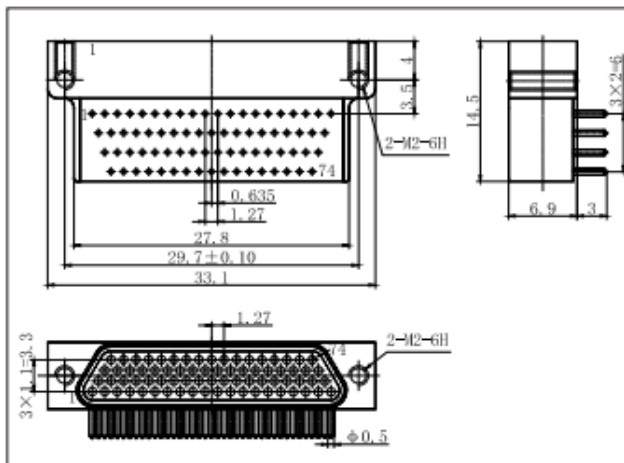
J30JZ series highly reliable long life miniature rectangular electrical connector

Product dimensions drawing

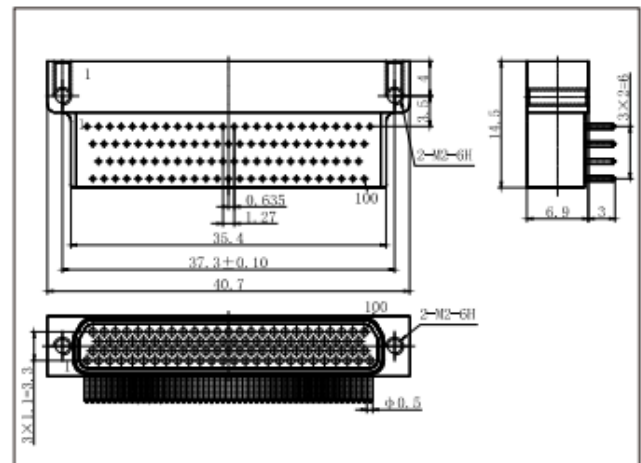


J30JZLN □ ZKWA000 (51、66 芯)

Order mark	A	B	C	n
J30JZLN51ZKWA000	30.5	27.1	25.2	51
J30JZLN66ZKWA000	36.9	33.5	31.6	66



J30JZLN74ZKWA000

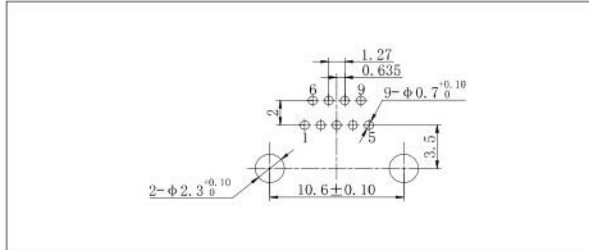


J30JZLN100ZKWA000

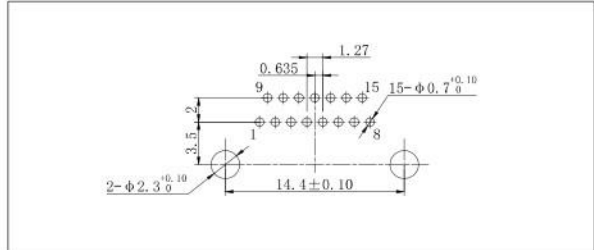
J30JZ series highly reliable long life miniature rectangular electrical connector

Preferred size of printed board opening

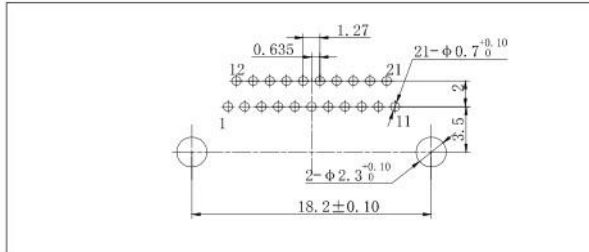
■ J30JZLN9ZKWA000



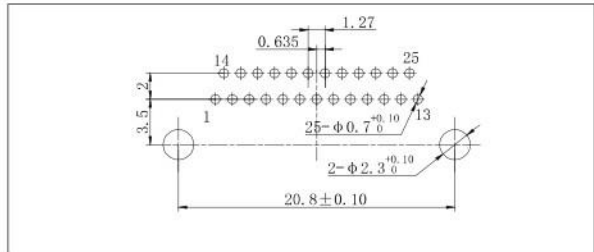
■ J30JZLN15ZKWA000



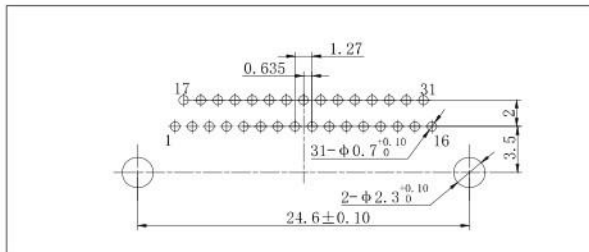
■ J30JZLN21ZKWA000



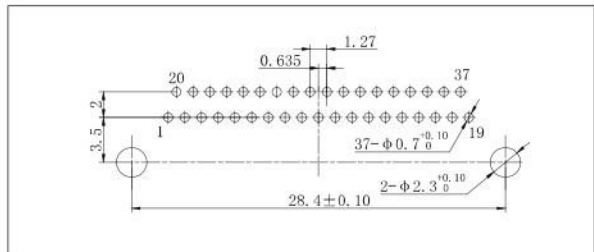
■ J30JZLN25ZKWA000



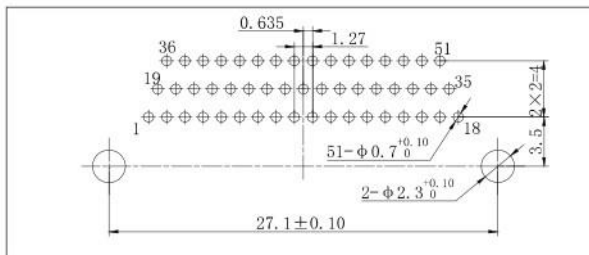
■ J30JZLN31ZKWA000



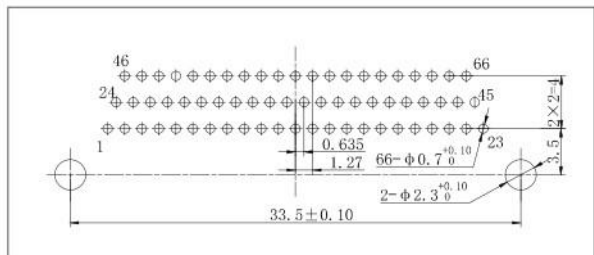
■ J30JZLN37ZKWA000



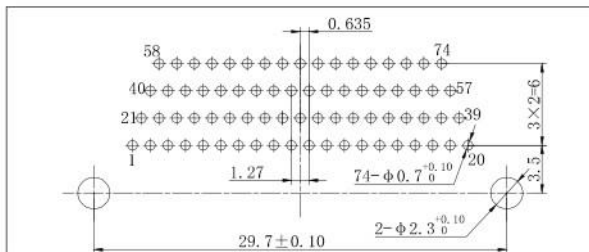
■ J30JZLN51ZKWA000



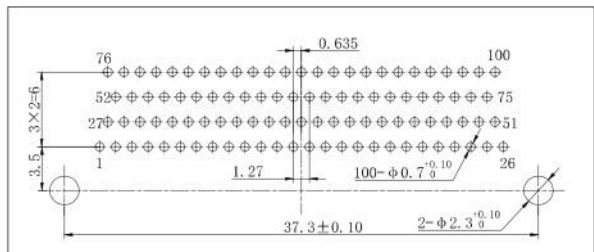
■ J30JZLN66ZKWA000



■ J30JZLN74ZKWA000

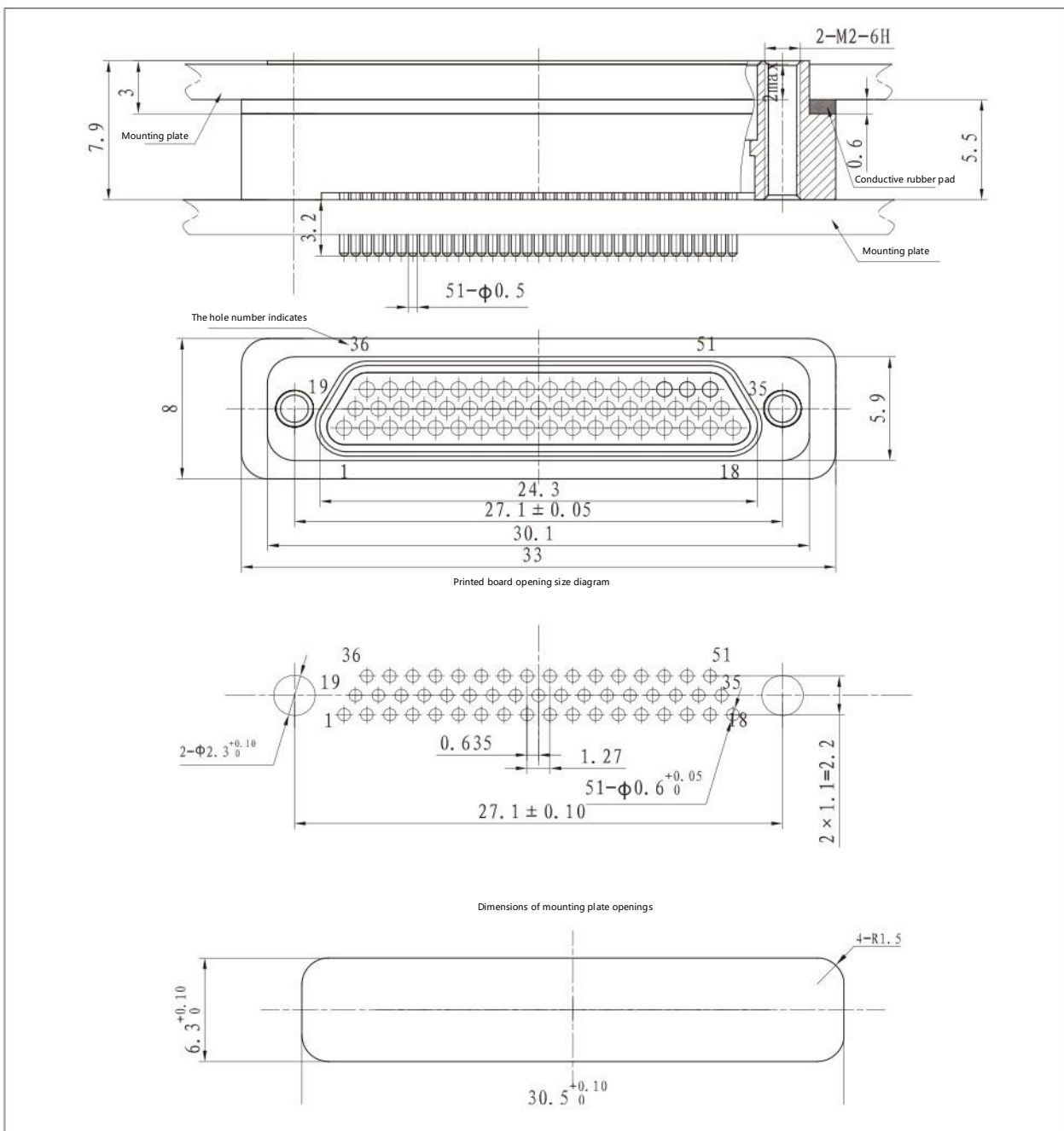
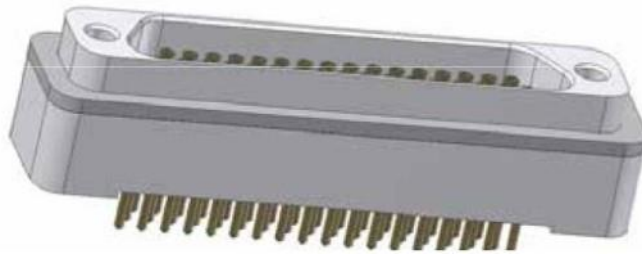


■ J30JZLN100ZKWA000



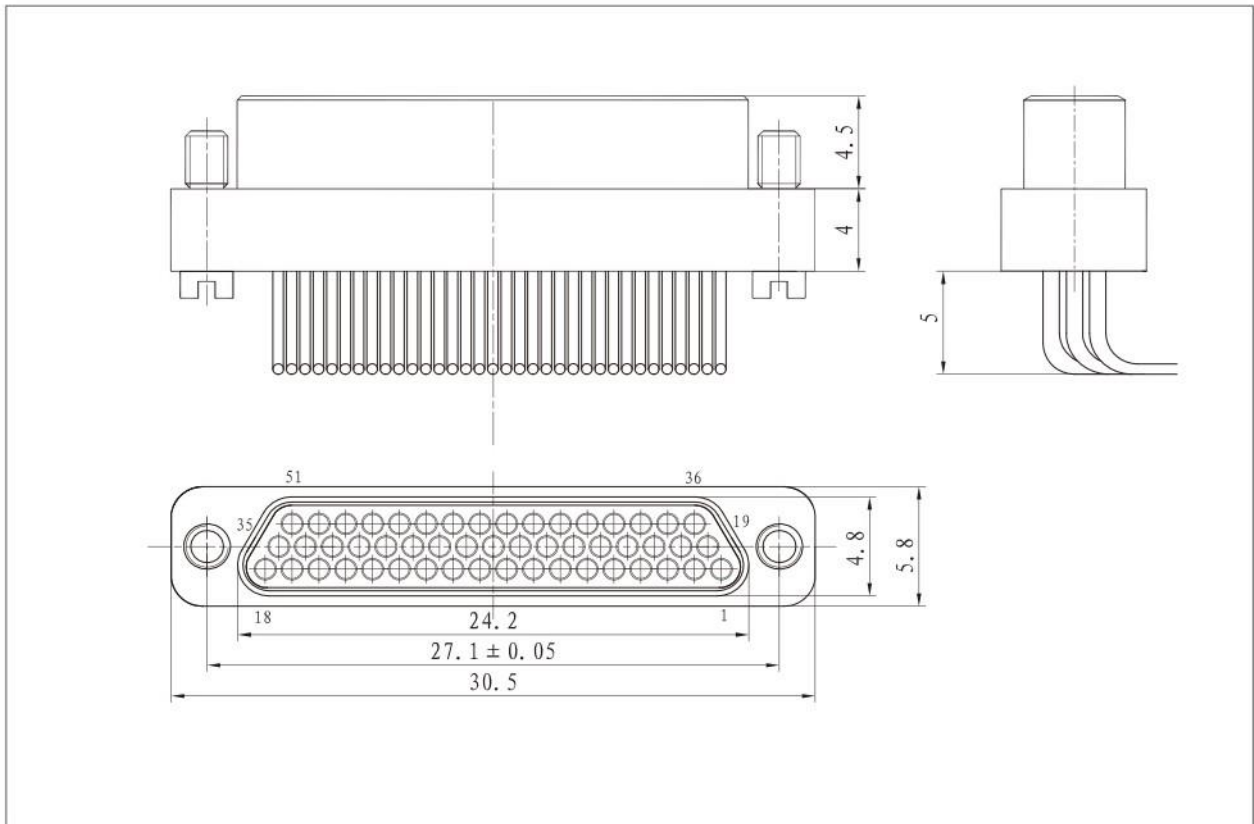
J30JZ series highly reliable long life miniature rectangular electrical connector

■ J30JZPG51ZKNA000-21 socket



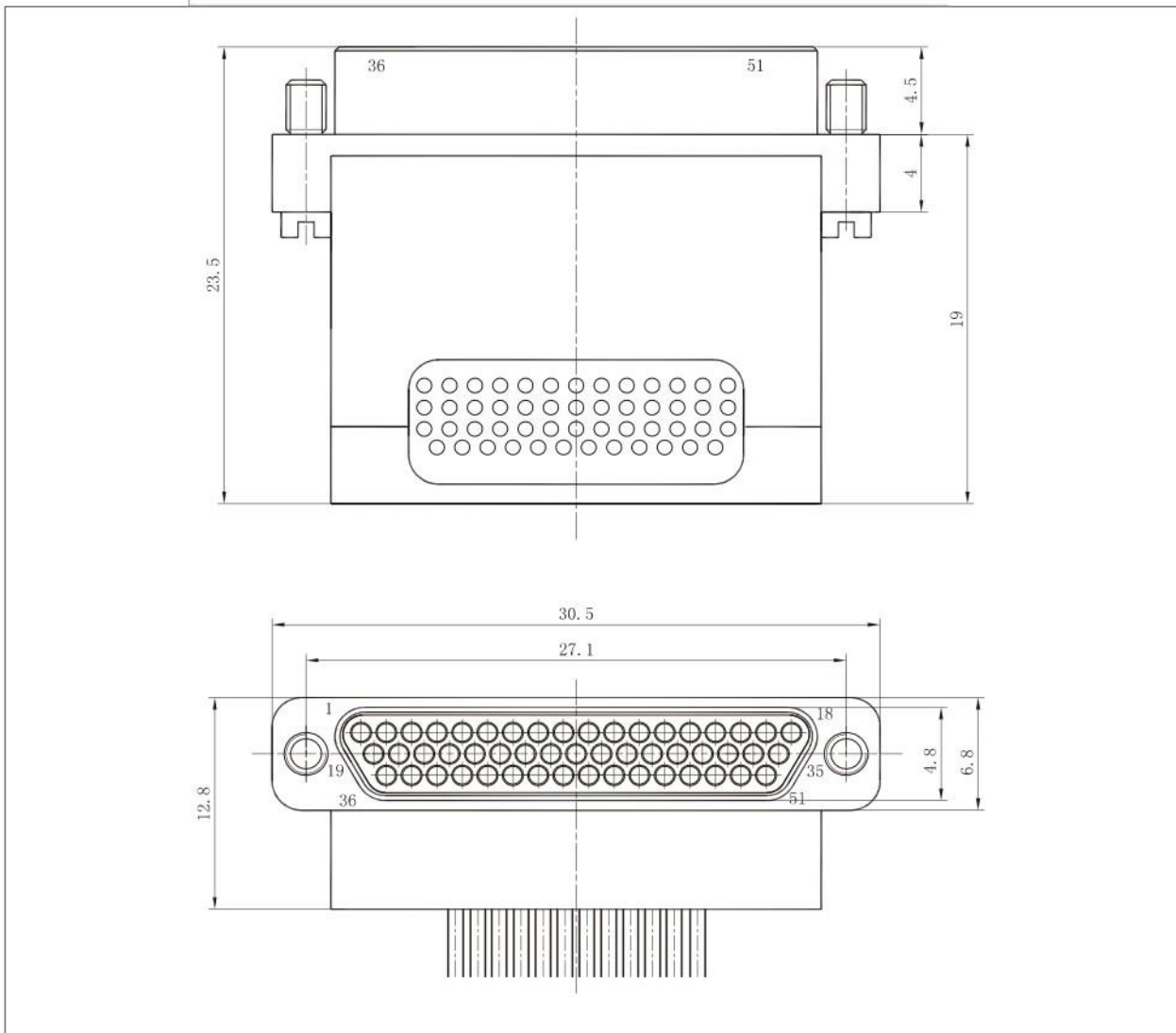
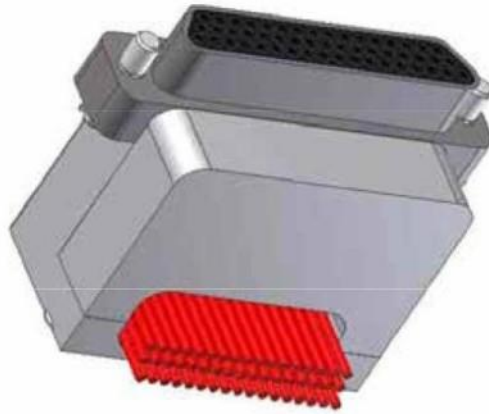
J30JZ series highly reliable long life miniature rectangular electrical connector

J30JZ/XG51TJCAL01 Plug



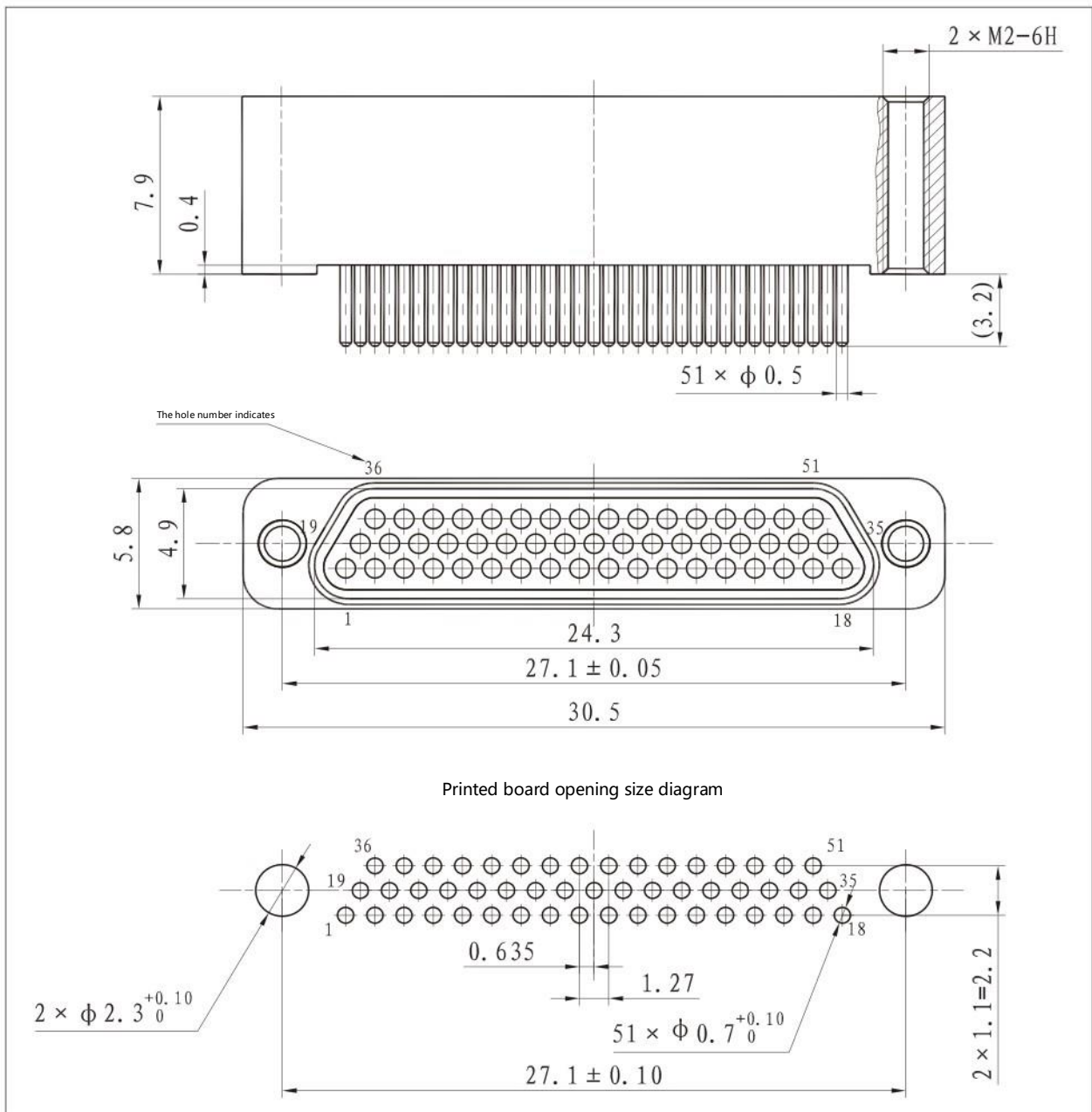
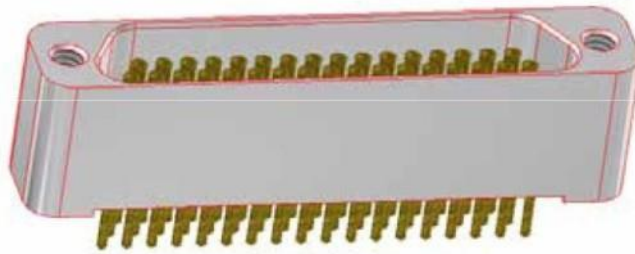
J30JZ series highly reliable long life miniature rectangular electrical connector

■ J30JZ / XPVG51TJCAL18-A06



J30JZ series highly reliable long life miniature rectangular electrical connector

■ J30JZ / XPVG51TJCAL18-A06



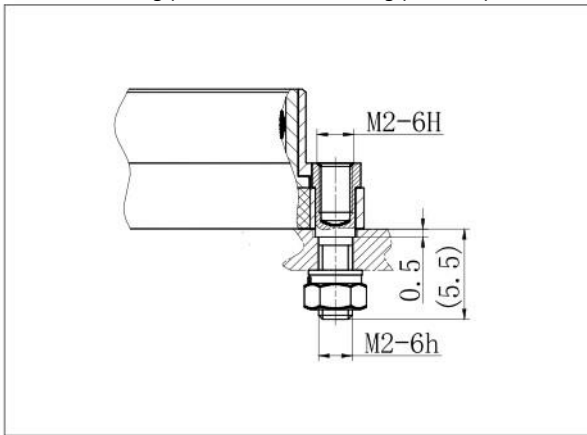
J30JZ series highly reliable long life miniature rectangular electrical connector

J30JZ series locking components

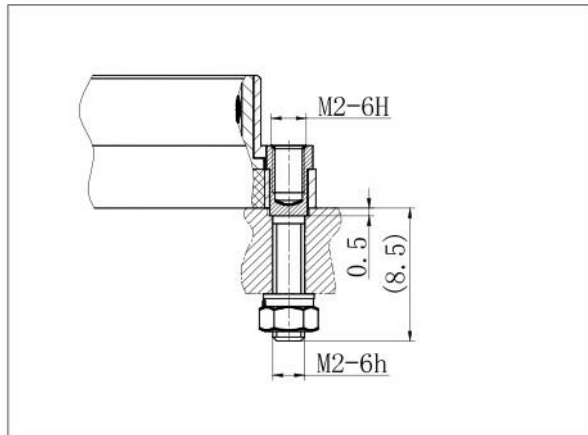
Fixed end mounting accessories

■ J30JZ-P01, J30JZ-P02 installation accessories

This accessory is only applicable to the fixed installation of the J30JZ plug end, and the countersunk hole 2.8 (min) deep 0.5(min) should be hit in the mounting plate when the mounting plate is opened.



J30JZ-P01



J30JZ-P02

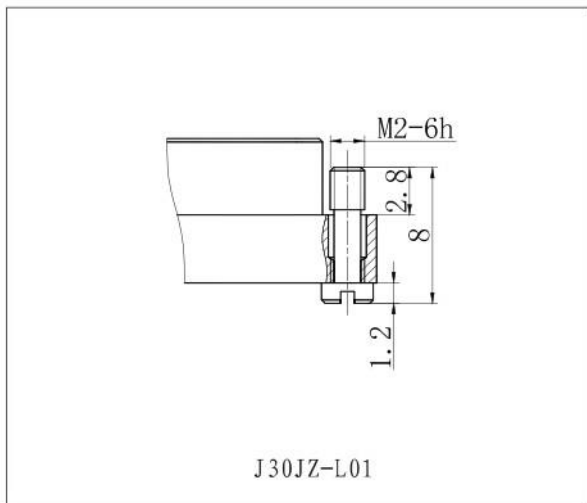
Mounting plate thickness for type P01 locking assembly: 2.5mm (max)

P02 locking assembly using mounting plate thickness: 5mm (max)

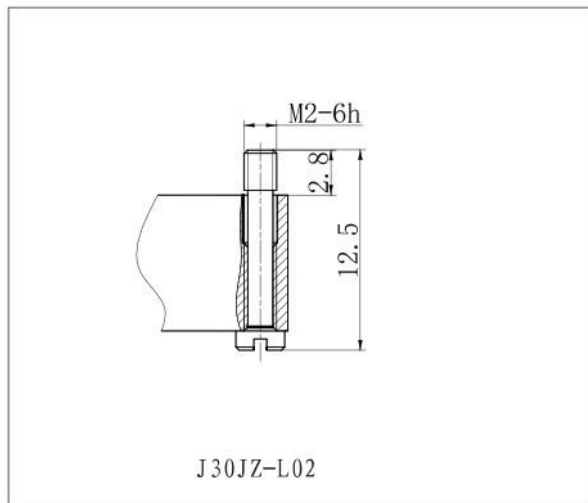
Free end mounting accessories

■ J30JZ-L01, J30JZ-L02 installation accessories

The J30JZ-L01 locking assembly is only applicable to the J30JZ plug end locking, and the J30JZ-L02 locking assembly is only applicable to the J30JZPEN port ZKCA00C socket end locking.



J30JZ-L01



J30JZ-L02

J30J Series micro rectangular power connector

Brief introduction of characteristics

■ Power connector for PCB board to cable or cable to cable connection.

一、电气特性 (Electrical Features)

接触电阻 Contact Resistance	$\leq 4.0\text{m}\Omega$
最大额定电流 Max Rated Current	$\leq 15\text{A}$
绝缘电阻 Insulation Resistance	$\geq 5000\text{M}\Omega$
耐压 Voltage Proof (50Hz)	$\geq 1000\text{V (r.m.s)}$

二、机械特性 (Mechanical Features)

单脚分离力 Unmated force per contact	0.5N ~ 3N
啮合力 Mating Force	$\leq 30\text{N}$
机械寿命 Durability	200 次

三、材料及表面处理 (Material and Surface Treatment)

插孔 Socket	铜合金 Copper alloy	Plating: Bottom (Cu) $\geq 2\mu\text{m}$ (Ni) $\geq 2\mu\text{m}$ Surface (Au) $\geq 0.38\mu\text{m}$
塑胶材料 Plastic Material	聚酯 (黑色) Polyester	—————

四、工作环境 (Working Environment)

工作温度 Working Temperature	-55℃ ~ +125℃
湿度 Humidity	+40℃, 93%

五、环保信息 (Environment Protect Data) (ROHS)

物质 (matter)	是否满足或豁免 (meet or exempt)
ROHS	豁免 exempt

J30J Series micro rectangular power connector

Model designation

$$\text{J30J} = \text{①} \times \text{②} \text{TK/ZJ} \times \text{④} \times \text{⑤} - \text{⑥}$$

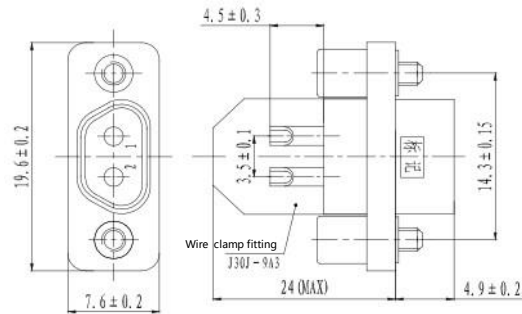
- ① Main name: J30J
- ② Number of contact parts: 2 core, 3 core, 4 core
- ③ Connector and contact type:
TK- plug insert jack, ZJ- socket insert pin TK
and ZJ are fixed collocations
- ④ Contact end form: S - welded wire W- curved insert printed board Locking
- ⑤ component category:
P7 Locking assembly (fixed end)
L-lock assembly (free end)
No letters A locking component is configured according to user requirements Product
- ⑥ modification:

2-core connector matching relationship and dimensions diagram

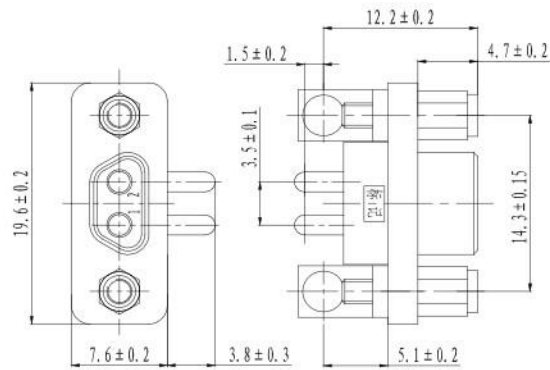
Electrical outlet	With a power plug
J30J-2ZJSL	J30J-2TKWP7
J30H-2ZJWP7	J30J-2TKSL
J30J-2ZJS	J30J-2TKSL
J30J-2ZJSWP7-1	J30J-2TKSL-1
J30J-2ZJWP7-2	J30J-2TKSL-2
J30J-2ZJWP7-3	J30J-2TKSL-3
J30J-2ZJWP7-4	J30J-2TKSL-4
J30J-2ZJSL-1	J30J-2TKWP7-1
J30J-2ZJSL-2	J30J-2TKWP7-2
J30J-2ZJSL-3	J30J-2TKWP7-3
J30J-2ZJSL-4	J30J-2TKWP7-4

J30J Series micro rectangular power connector

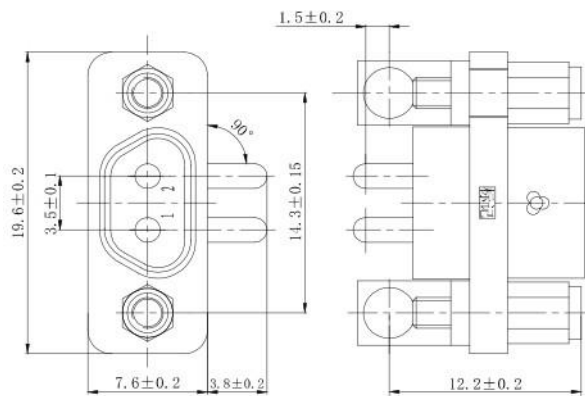
Dimensions of J30J-2ZJSL



Dimensions of J30J-2TKWP7

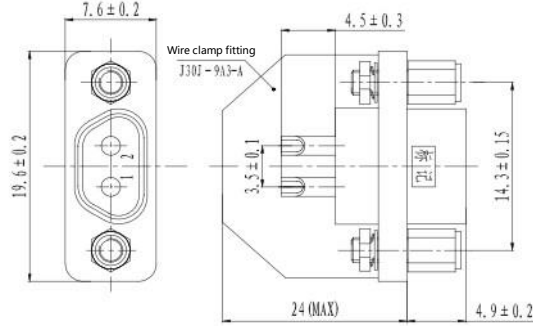


Dimensions of J30J-2ZJWP7

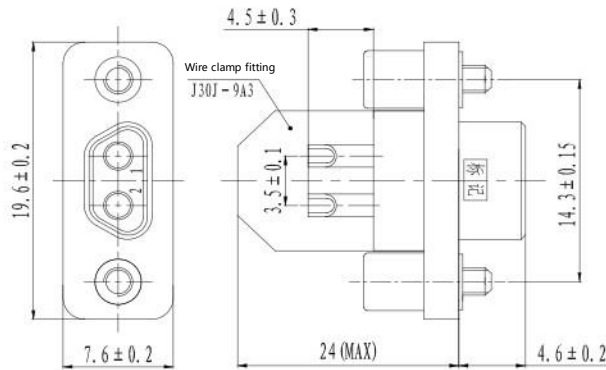


J30J Series micro rectangular power connector

Dimensions of J30J-2ZJS

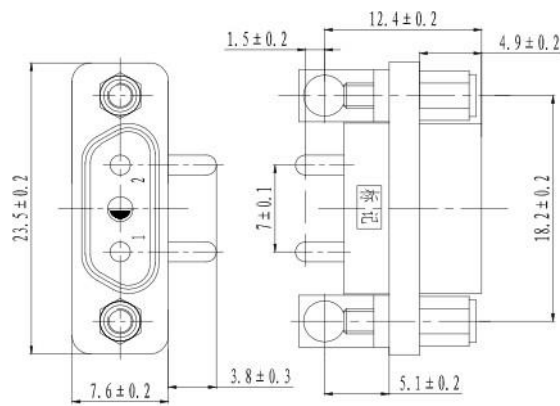


Dimensions of J30J-2TKSL



(Distribution clamp J30J-9A3, clamp thickness 10.5mm)

J30J-2ZJWP7-1/4 dimensions



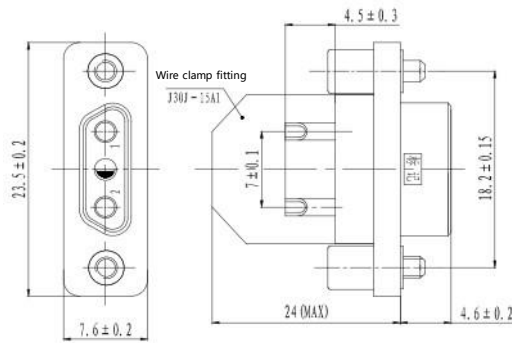
Schematic diagram of product model, guide post position and hole position number



Note: Black is the solid part

J30J Series micro rectangular power connector

Dimensions of J30J-2TKSL-1/4



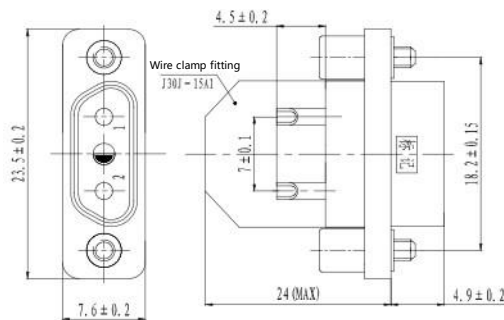
Schematic diagram of product model, guide post position and hole position number



Note: Black is the solid part

(Distribution clamp J30J-15A1, clamp thickness 10.5mm)

Dimensions of J30J-2ZJSL-1/4



Schematic diagram of product model, guide post position and hole position number

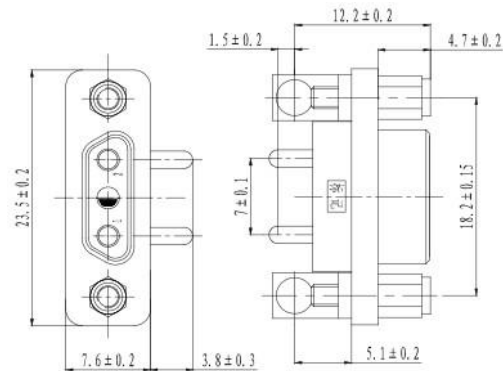


Note: Black is the solid part

(Distribution clamp J30J-15A1, clamp thickness 10.5mm)

J30J Series micro rectangular power connector

Dimensions of J30J-2TKWP7-1/4



Schematic diagram of product model, guide post position and hole position number

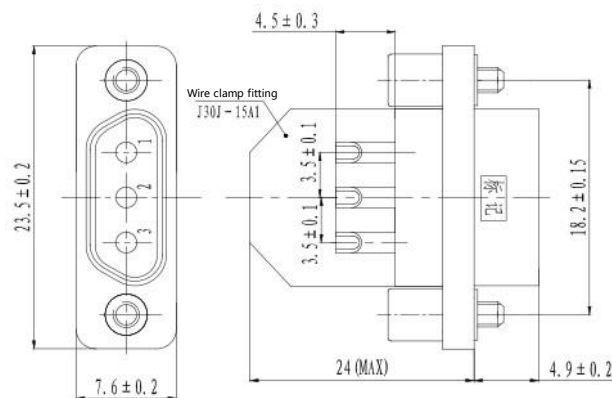


Note: Black is the solid part

3-core connector matching relationship and dimensions diagram

Electrical outlet	With a power plug
J30J-3ZJSL	J30J-3TKWP7
J30J-3ZJWP7	J30J-3TKSL
J30J-3ZJWP7-A	J30J-3TKSL

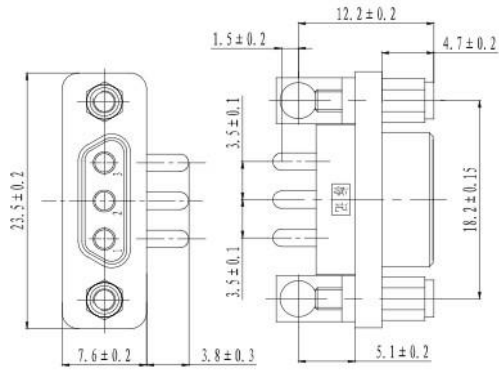
Dimensions of J30J-3ZJSL



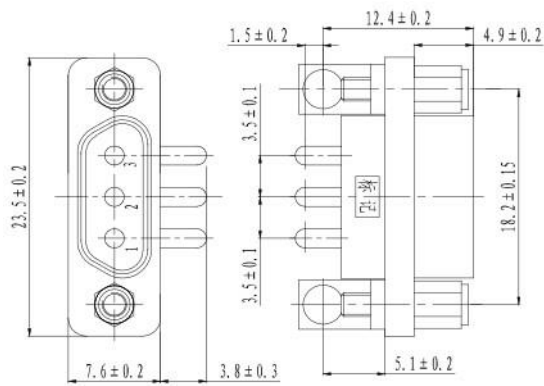
(Distribution clamp J30J-15A1, clamp thickness 10.5mm)

J30J Series micro rectangular power connector

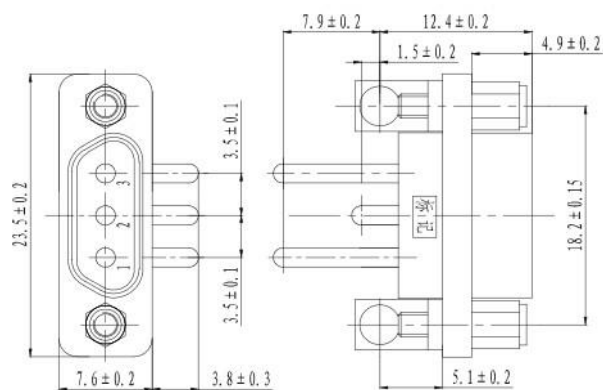
Dimensions of J30J-3TKWP7



Dimensions of J30J-3ZJWP7

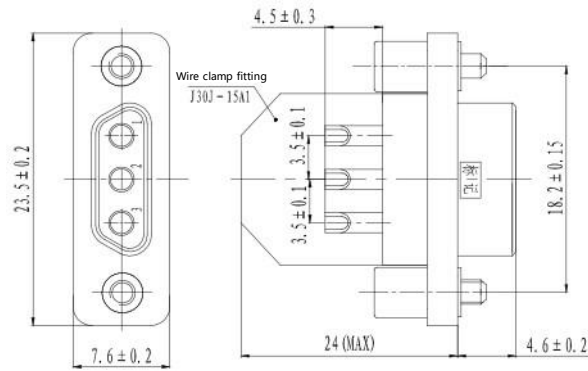


J30J-3ZJWP7-A dimensions



J30J Series micro rectangular power connector

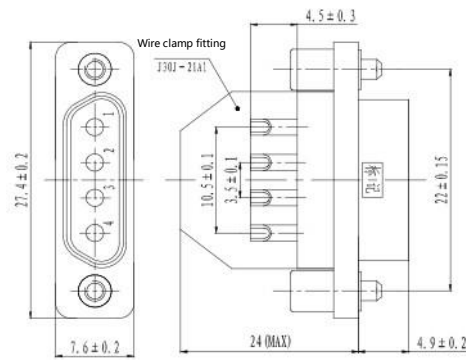
Dimensions of J30J-3TKSL



(Distribution clamp J30J-15A1, clamp thickness 10.5mm)

4-core connector matching relationship and dimensions diagram

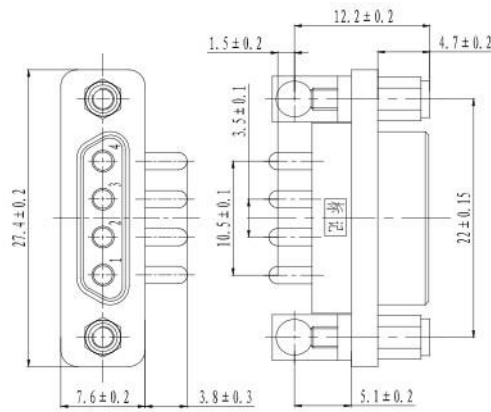
Electrical outlet	With a power plug
J30J-4ZJSL	J30J-4TKWP7
J30J-4ZJWP7	J30J-4TKSL



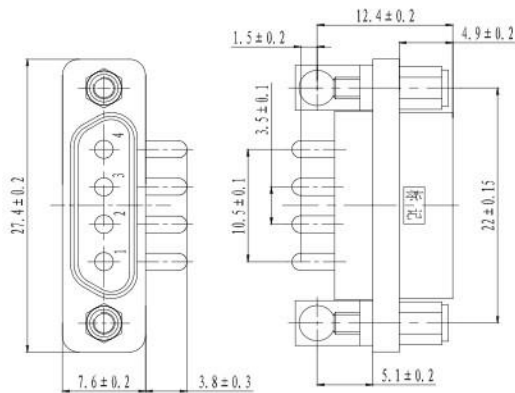
(Distribution clamp J30J-21A1, clamp thickness 10.5mm)

J30J Series micro rectangular power connector

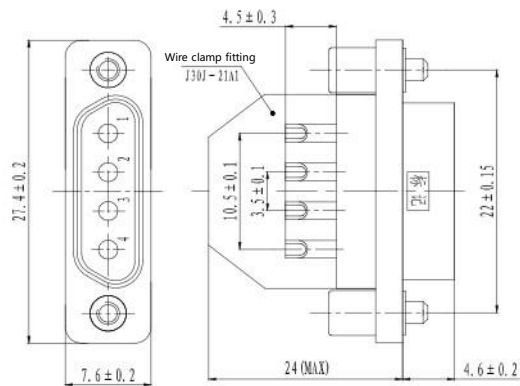
Dimensions of J30J-4TKWP7



Dimensions of J30J-4ZJWP7



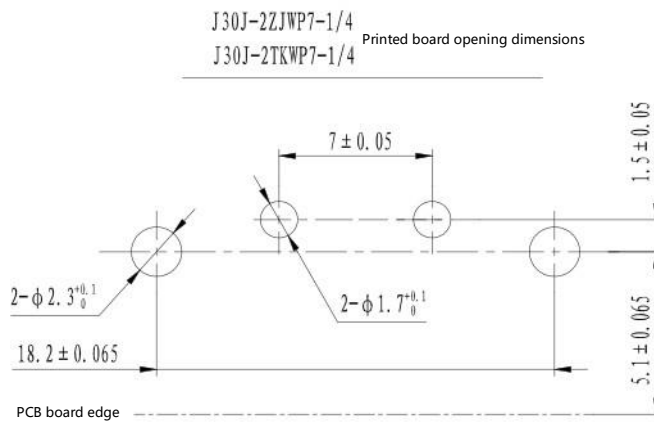
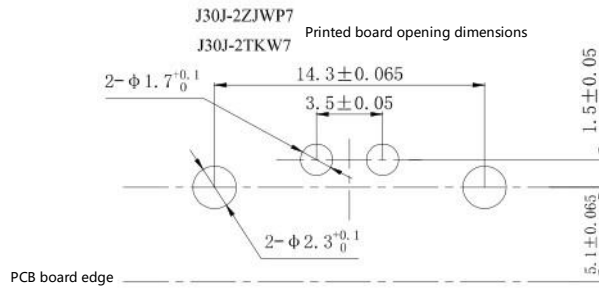
Dimensions of J30J-4TKSL



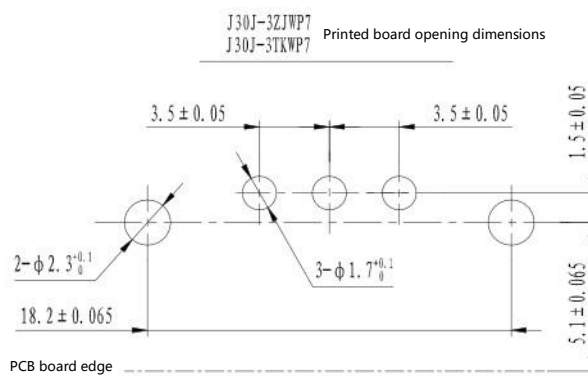
(Distribution clamp J30J-21A1, clamp thickness 10.5mm)

J30J Series micro rectangular power connector

2-core connector printed board opening dimensions

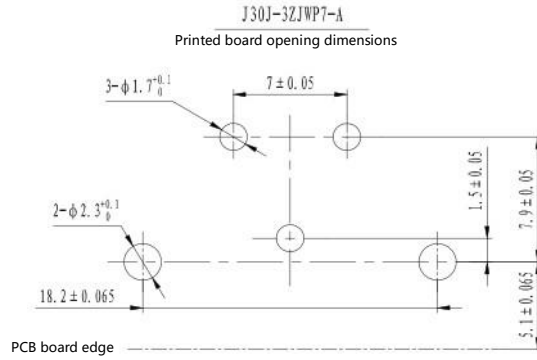


3-core connector printed board opening dimensions

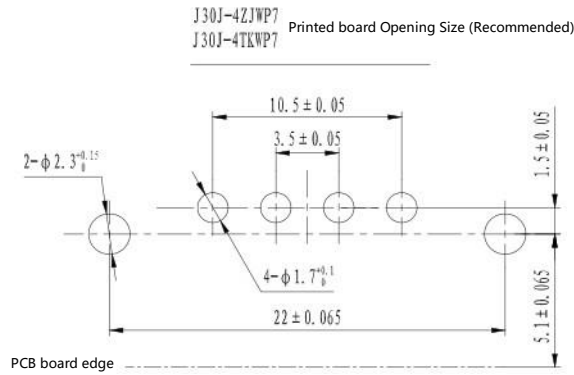


J30J Series micro rectangular power connector

3-core connector printed board opening dimensions



4-core connector printed board opening dimensions



J30J type high and low frequency mixed rectangular electrical connector

Brief introduction of characteristics

- Core number: 15+6 core, 21+5 core
- Twisted elastic pins with high contact density (low frequency contacts)
- Conductor core cross-sectional area 0.1mm² ~ 0.15mm² (low frequency contacts) The high
- frequency contacts are removable

Electrical characteristic

item	Technical parameter	item	Technical parameter
Working current	1A (High frequency)	Working current	3A (Low frequency)
Dielectric withstand voltage	800V (50Hz, r. m. s.)	Insulation resistance	5000 MΩ (500V DC test voltage)
Operating voltage	220V	Contact resistance (low frequency)	≤ 10 mΩ
Frequency range (high frequency)	0 ~ 1GHz (with flexible cable)	High frequency point characteristic impedance	50 Ω
Outer conductor contact resistance	≤ 7mΩ	Center conductor contact resistance (high frequency)	≤ 55mΩ
Insertion loss	≤0.3dB (1MHz ~ 100MHz frequency range)	Voltage standing wave ratio	≤1.3 (1MHz ~ 100MHz frequency range)

Environmental characteristics

item	Technical parameter	item	Technical parameter
Operating temperature	-55℃ ~ +125℃	Random vibration	0.4G ² /Hz, 23.1G
Vibration	10 ~ 2000Hz, 147m/s ²	strike	735 m/s ² , 11ms
Salt spray		Temperature shock	
Mechanical life	500+		

Order mark

J30J 15 TJ × × × ×
 ① ② ③ ④ ⑤ ⑥ ⑦

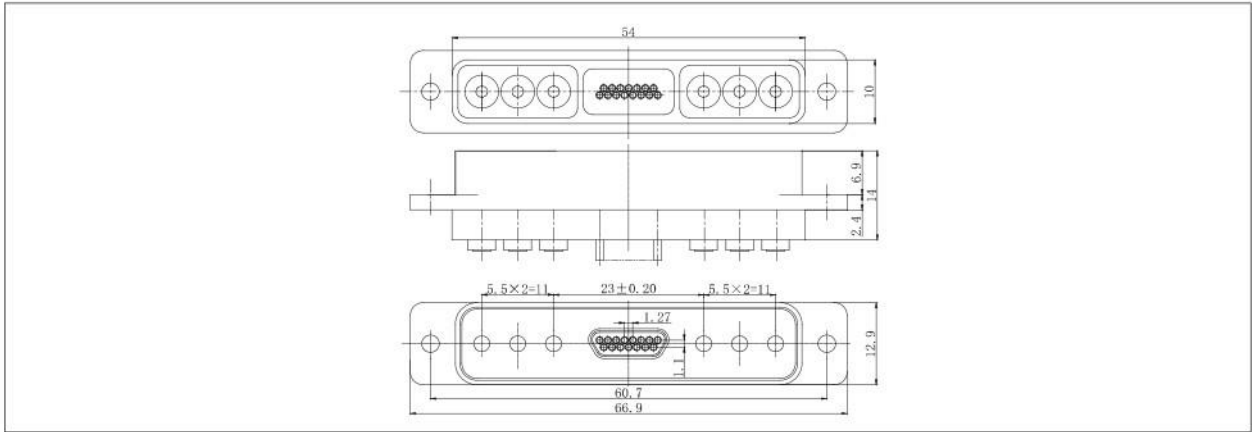
- ① Principal name code:
- ② Number of low frequency contacts: 15, 21
- ③ Connector and low frequency contact type: TJ a plug pin ZK a socket jack
- ④ Low frequency contact end form: do not indicate - crimpN - In-line printed board Number
- ⑤ of high-frequency contacts: 5, 6
- ⑥ High frequency contact type: G- straight-line G-90° Exit cable
- ⑦ High-frequency contacts category: P - Pin S - Jack

Examples of flags:

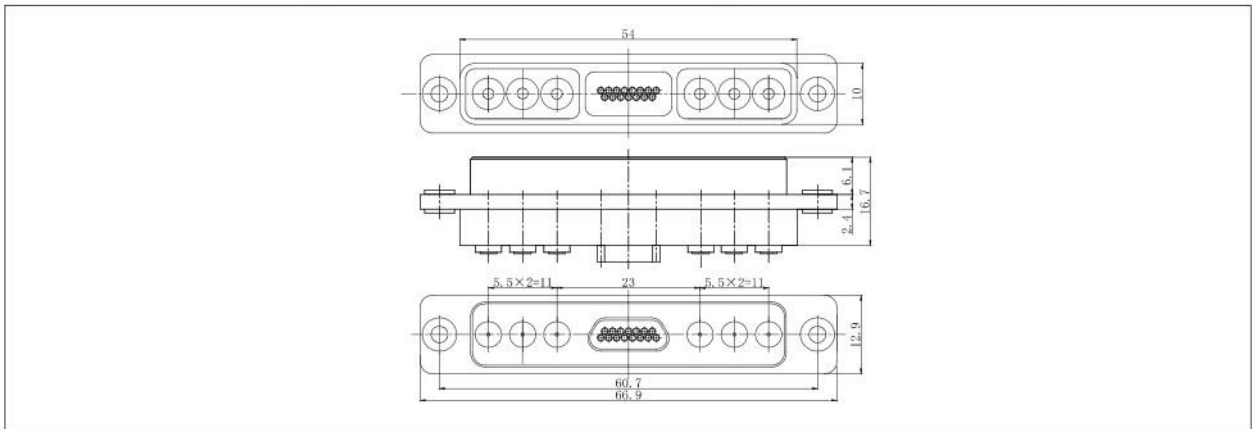
J30J-21TJN5GP J30J-21ZK5GAS

J30J type high and low frequency mixed rectangular electrical connector

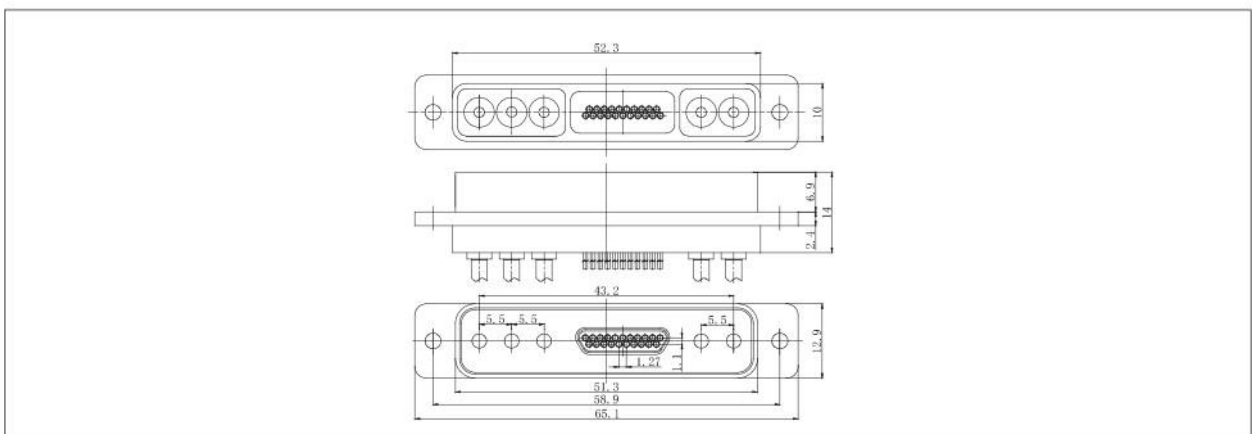
Dimensions of J30J-15TJ6GAP



Dimensions of J30J-15ZK6GAS

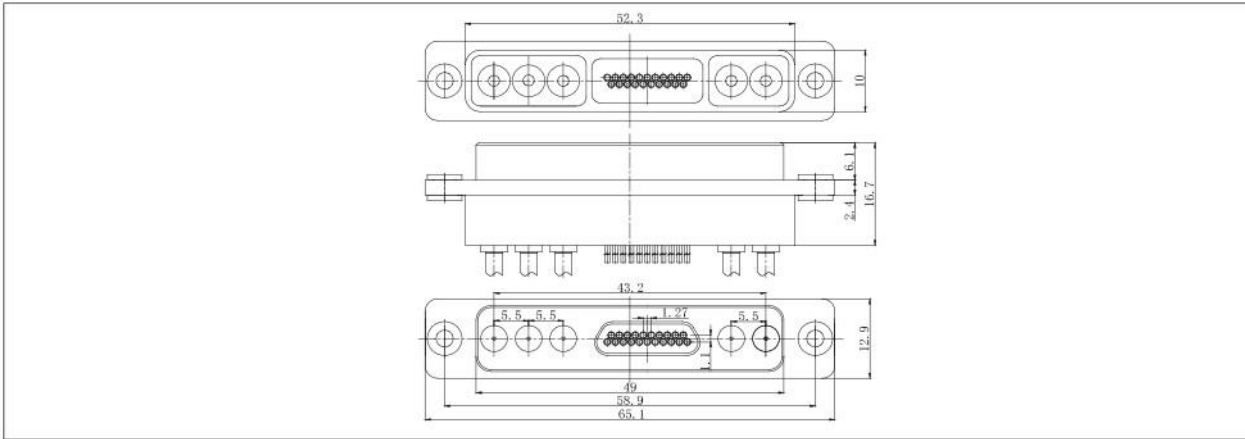


J30J-21TJ5GAP dimensions

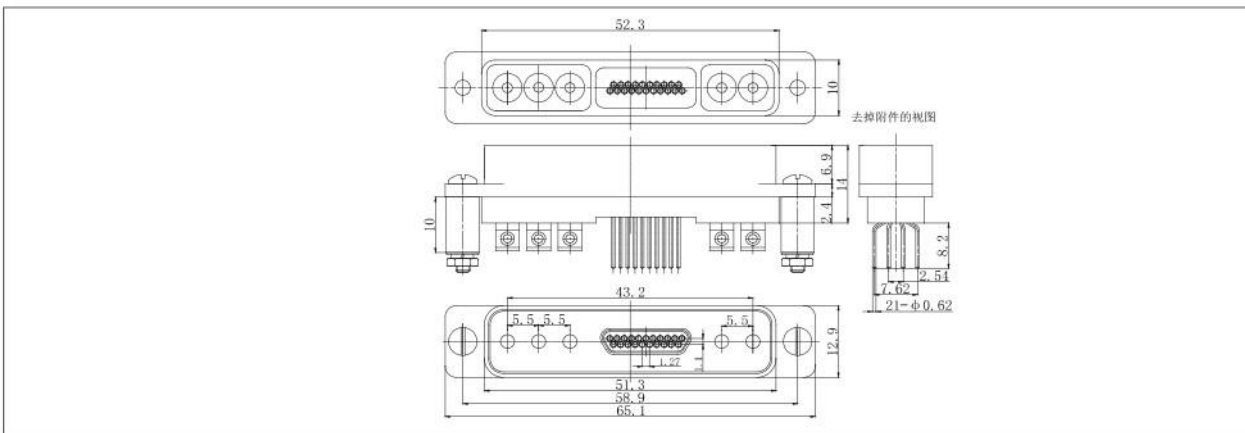


J30J type high and low frequency mixed rectangular electrical connector

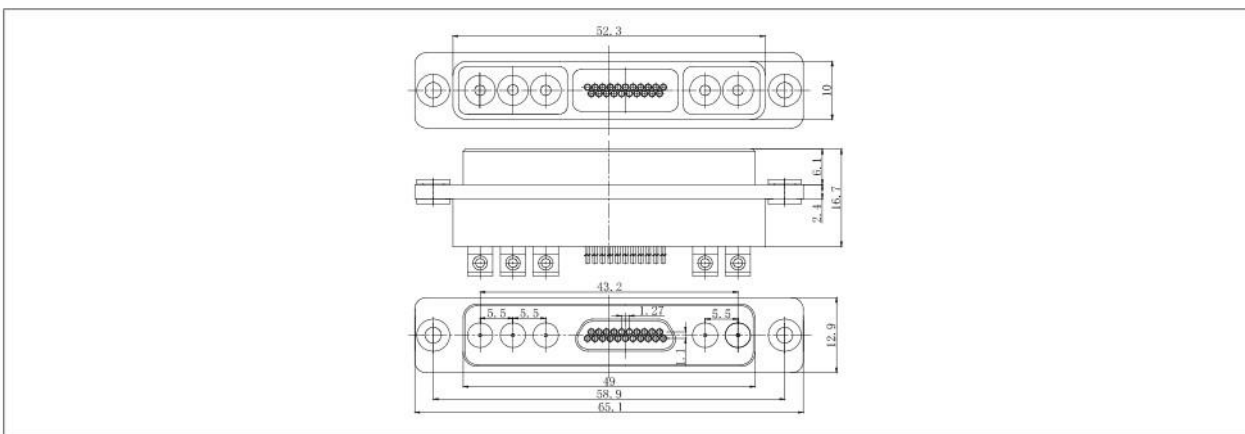
Dimensions of J30J-21ZK5GAS



Dimensions of J30J-21TJN5GP

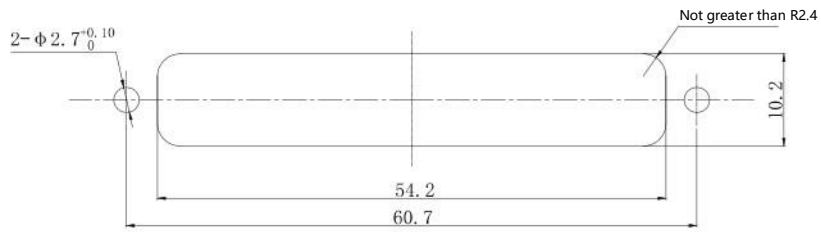


Dimensions of J30J-21ZK5GS

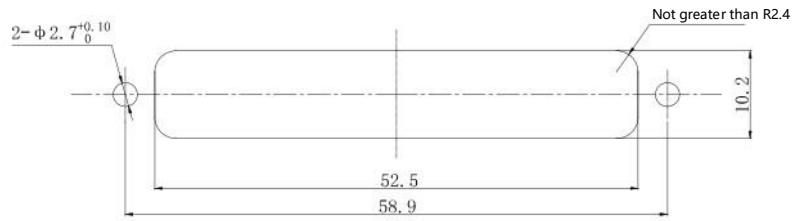


J30J type high and low frequency mixed rectangular electrical connector

Dimensions of mounting plate openings



J30J-15TJ6GAP/ZK6GAS



J30J-21TJ5GAP/ZK5G(A)S

J30J series large and small current mixed rectangular electrical connector

Brief introduction of characteristics

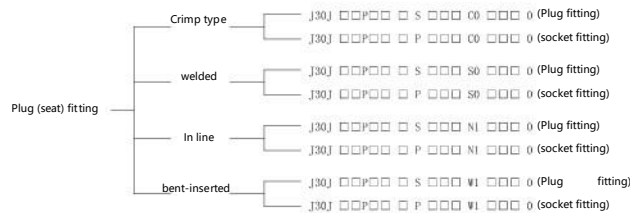
- Size current contact pair mixing
- Adapter conductor core cross-sectional area 0.10mm² to 0.15mm² (low current) 2.0mm² to 3.0mm² (high current)

Technical characteristics

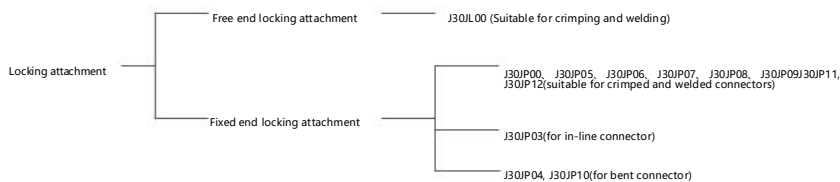
- Ambient temperature: -55 °C ~+125 °C
- Relative humidity: +40°C up to 98%
- Oscillate: 10Hz ~ 2000Hz, 196m/S²
- Random vibration: Power spectral density: 0.4G²/Hz, Total speed root mean square value: 23.1G
- Impact: 735M/S²
- Insulation resistance: ≥ 5000MΩ (normal)
- Dielectric pressure: 800V (sea level)
- Contact resistance: ≤ 10MΩ
- Mechanical life: 500 cycles

Genealogy of a family

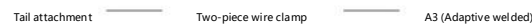
■ Plug (seat) fitting



■ Locking attachment



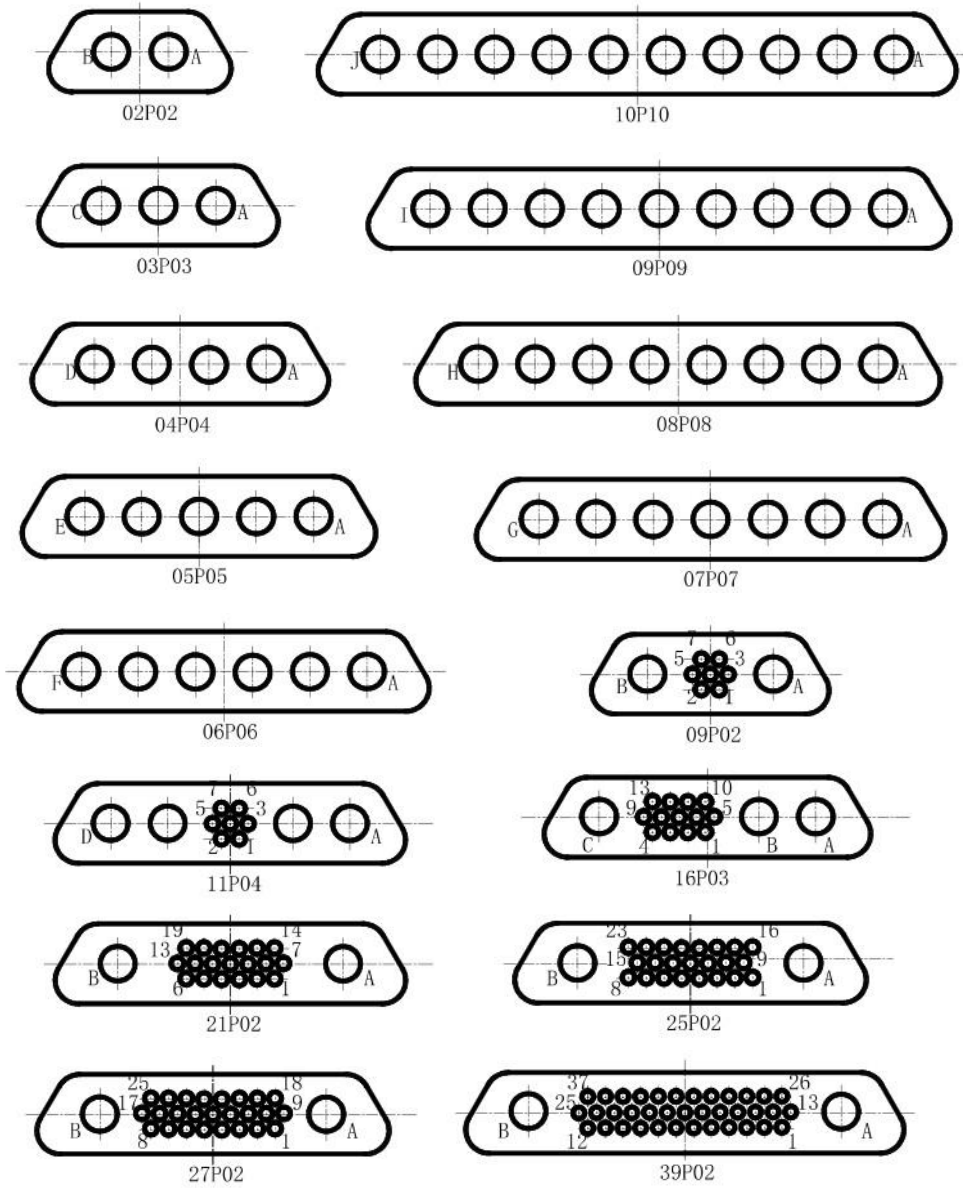
■ Tail attachment



As shown above, the user must select the plug (seat) fitting and locking accessories at the same time to form a complete plug or socket when selecting the J30J series of large and small current mixed products. In addition, for welded products, it is also necessary to select tail accessories (wire clamping parts) according to user requirements.

J30J series large and small current mixed rectangular electrical connector

Spectral arrangement



Note: View from plug butt end

.....

J30J series large and small current mixed rectangular electrical connector

Order mark

J30J 25P02 J S C00 C0 000 0 - A3 (Additional note)
 ① ② ③ ④ ⑤ ⑥ ⑦ ⑧ ⑨

- ① Main name code: J30J, J30JY a rain shower series;
- ② Contact arrangement: See the table below;

designation	designation	designation	Arrangement rule
02P02	2-core 20A contact	10P10	10-core 20A contact
03P03	3-core 20A contact	09P02	7 core 3A contacts + 2 core 20A contacts
04P04	4-core 20A contact	11P04	7 core 3A contacts + 4 core 20A contacts
05P05	5-core 20A contact	16P03	13 core 3A contacts + 3 core 20A contacts
06P06	6-core 20A contact	21P02	19-core 3A contact + 2-core 20A contact
07P07	7-core 20A contact	25P02	23 core 3A contacts + 2 core 20A contacts
08P08	8-core 20A contact	27P02	25 core 3A contact + 2 core 20A contact
09P09	9-core 20A contact	39P02	37 core 3A contact + 2 core 20A contact

- ③ Type of small current contact: 0 no small current contact, J small current pin (3A), K small current jack (3A);
- ④ Type of large current contact: S large current jack (20A), P large current pin (20A);

⑤ Small current contact end form: 000 No small current contact, C00 one crimp type, Core cross-sectional area 0.10mm² ~ 0.15mm², S00 welded type, N01 printed plate, N02- pin lengthened to 7.2mm, N03- pin thickened to medium 0.7, bending height 1.1mm, N04 - pin lengthened to 8mm, N05- pin length lengthened to 1.5mm on the basis of N01, N06- pin lengthened to 10mm, W01- bent insert printed plate, W03 - meet 5mm plate front installation requirements, W04- pin beyond the flange 2mm;

⑥ Large-current contact end form: C0 crimping type, core cross-sectional area 2.0mm² ~ 3.0mm², C1 crimping type, core cross-sectional area 0.6mm² ~ 1.2mm², C2-crimp type, high current 10A contact, Core cross-sectional area 0.3mm² ~ 0.8mm², S0-welded, S2 tail bonding wire, S3-90° welded wire, the outlet end is protected by pile glue, S4- high current contact is leaked out of the shell tail end of 5.3 mm, low current contact is leaked out of 3.7mm, S5- wire cross-sectional area of 0.6mm² ~ 1.2mm², out of the shell 5.1mm, S6-tail bonding wire, out of the shell height 3mm, bonding surface length 1mm, N0 a printed plate, grid spacing 5.05×5.05, N1 always inserted printed plate, tail diameter 2mm, N2 a pin lengthened to 7.2mm on the basis of N1, N3 a printed plate, grid spacing 4.8×4.8, N4 always inserted the printed plate, grid spacing 4.3×4.3, N5 pin lengthened 2mm on the basis of N1, N6 pin shortened 1mm on the basis of N5, N7 pin lengthened to 8mm on the basis of N1, N8-1 pin lengthened to 10mm on the basis of N1, N9 1 pin lengthened by 1.5mm on the basis of N1, NA-1 modified on the basis of N1, Change the pin tail diameter to medium 1.6, W0 curved plate, grid spacing 5.05×5.05, W1 curved plate, W2- on the basis of W1 pin lengthening 1mm, W3- on the basis of W1 pin tail diameter to medium 1.58, W1 W4-on the basis of W1 reverse outlet, W5-on the basis of W1 pin extension length is shortened by 0.8mm, W6 large current contact is shortened to 2mm on the basis of W3 beyond the flange;

- ⑦ Type of locking attachment: 000 no locking attachment, LO0 a free end locking attachment, P mouth a fixed end locking attachment (see table below);

designation	Type of locking attachment	designation	Type of locking attachment
P00	Install a fixed end locking attachment in front of the plate, and the thickness of the mounting plate is less than 2.5mm	P08	3. Install a locking attachment for the fixed end at the rear of the 4mm plate
P03	Live printed board with support sleeve fixed end locking attachment	P09	2mm plate rear with fixed end locking attachment
P04	Bent insert printed board with mounting bracket fixed end locking accessories	P10	Insert a 2mm bent printed board and install a locking attachment with a fixed end
P05	0. Install a locking attachment for the fixed end at the rear of the 6mm plate	P11	Install a fixed end locking attachment in front of the plate and open M3 threaded holes
P06	A fixed end locking attachment is installed at the rear of the 1.4mm plate	P12	Install a fixed end locking attachment in front of the plate, and the thickness of the mounting plate is < 5.5mm
P07	2.2 Installing a locking attachment with a fixed end at the rear of the mm plate		

- ⑧ Shell modification: 0 - standard type, aluminum alloy electroless nickel plating, J - quick lock type.

- ⑨ Tail attachment: does not mean an A3 one or two lobe wire clamp without tail attachment (welded only)

Note: Additional instructions are not part of the naming rules, customers should indicate the specifications of the crimped wire in parentheses when selecting, such as: cross-sectional area, length and color of the wire. If there is a special connection requirement, the connection relationship should be given.

J30J series large and small current mixed rectangular electrical connector

■ Crimp plug

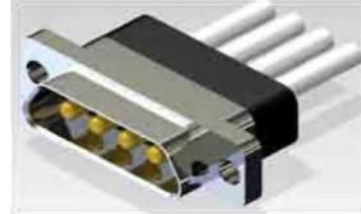
■ J30J □□P□□ □ S □□□ C0 000 0



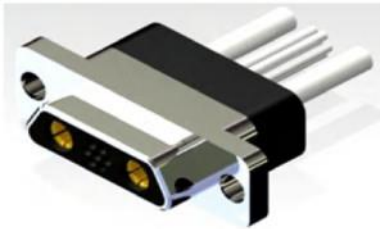
J30J 04P04 0 S 000 C0 000 0

■ Crimp socket

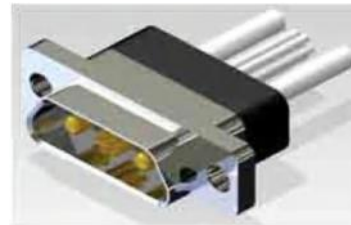
■ J30J □□P□□ □ P □□□ C0 000 0



J30J 04P04 0 P 000 C0 000 0

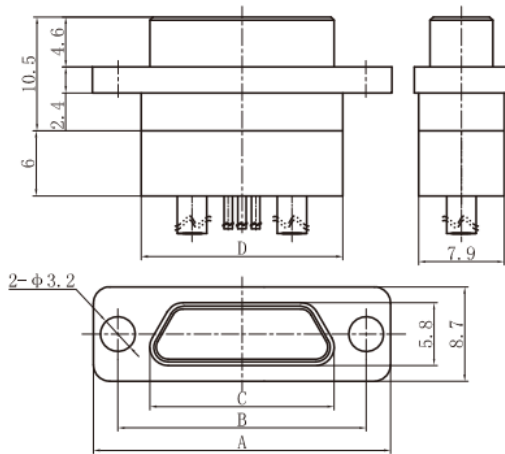


J30J 09P02 J S C00 C0 000 0

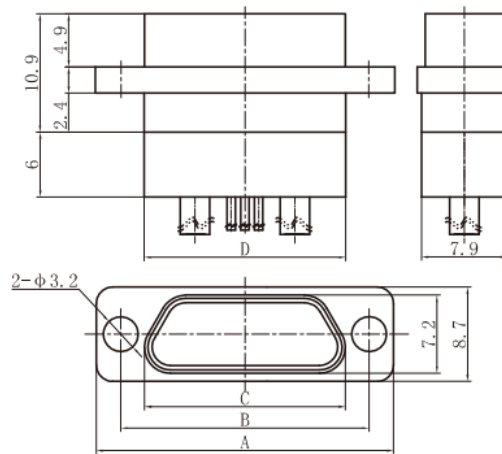


J30J 09P02 K P C00 C0 000 0

■ J30J □□P□□ □ S □□□ C0 000 0



■ J30J □□P□□ □ P □□□ C0 000 0

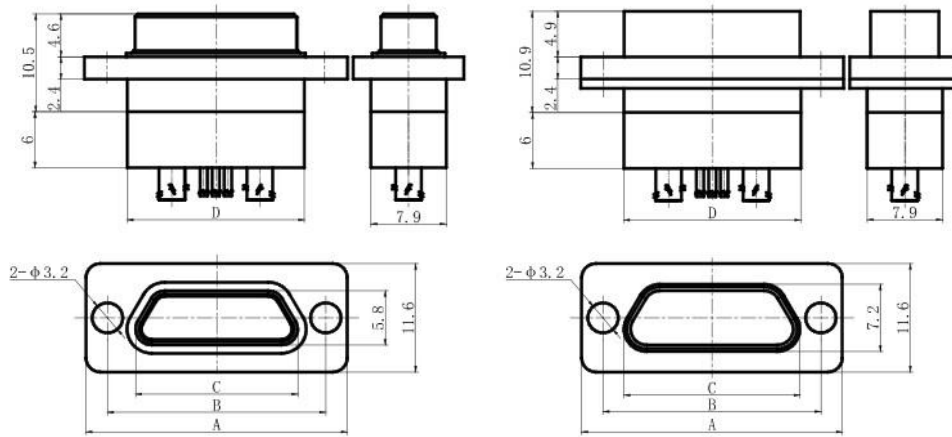


Plug specification number	dimension				Socket specification number	dimension			
	A	B	C	D		A	B	C	D
J30J02P020S000C0000	23.2	18.8	12.9	14.5	J30J02P020P000C0000	23.2	18.8	14.4	14.5
J30J03P030S000C0000	27.3	22.9	17	18.6	J30J03P030P000C0000	27.3	22.9	18.5	18.6
J30J04P040S000C0000	31.4	27	21.1	22.7	J30J04P040P000C0000	31.4	27	22.6	22.7
J30J05P050S000C0000	36.3	30.9	25	26.6	J30J05P050P000C0000	36.3	30.9	26.5	26.6
J30J06P060S000C0000	39.6	35.2	29.3	30.9	J30J06P060P000C0000	39.6	35.2	30.8	30.9
J30J07P070S000C0000	43.7	39.3	33.4	35	J30J07P070P000C0000	43.7	39.3	34.9	35
J30J08P080S000C0000	47.8	43.4	37.5	39.1	J30J08P080P000C0000	47.8	43.4	39	39.1
J30J09P090S000C0000	51.9	47.5	41.6	43.2	J30J09P090P000C0000	51.9	47.5	43.1	43.2
J30J10P100S000C0000	56	51.6	45.7	47.3	J30J10P100P000C0000	56	51.6	47.2	47.3
J30J09P02JSC00C0000	29.7	24.5	18.6	20.2	J30J09P02KPC00C0000	29.7	24.5	20.1	20.2
J30J11P04JSC00C0000	36.3	30.9	25	26.6	J30J11P04KPC00C0000	36.3	30.9	26.5	26.6
J30J16P03JSC00C0000	34.8	29.3	23.4	25	J30J16P03KPC00C0000	34.8	29.3	24.9	25
J30J21P02JSC00C0000	36.3	30.9	25	26.6	J30J21P02KPC00C0000	36.3	30.9	26.5	26.6
J30J25P02JSC00C0000	36.3	30.9	25	26.6	J30J25P02KPC00C0000	36.3	30.9	26.5	26.6
J30J27P02JSC00C0000	36.3	30.9	25	26.6	J30J27P02KPC00C0000	36.3	30.9	26.5	26.6
J30J39P02JSC00C0000	42.8	37.3	31.4	33	J30J39P02KPC00C0000	42.8	37.3	32.9	33

J30J series large and small current mixed rectangular electrical connector

■ J30JY □□ P □□ □ S □□□ C0 000 0

■ J30JY □□ P □□ □ P □□□ C0 000 0

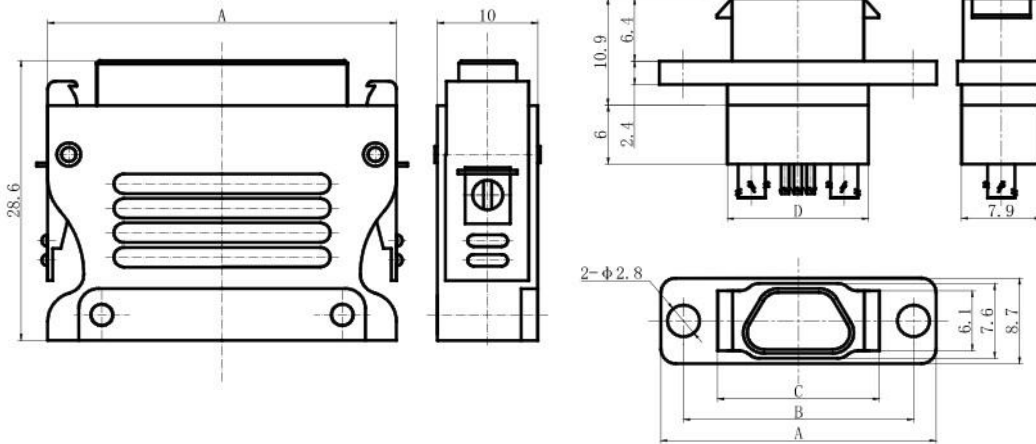


Plug specification number	size				Socket specification number	size			
	A	B	C	D		A	B	C	D
J30JY02P020S000C00000	23.2	18.8	12.9	14.5	J30JY02P020P000C00000	23.2	18.8	14.4	14.5
J30JY03P030S000C00000	27.3	22.9	17	18.6	J30JY03P030P000C00000	27.3	22.9	18.5	18.6
J30JY04P040S000C00000	31.4	27	21.1	22.7	J30JY04P040P000C00000	31.4	27	22.6	22.7
J30JY05P050S000C00000	36.3	30.9	25	26.6	J30JY05P050P000C00000	36.3	30.9	26.5	26.6
J30JY06P060S000C00000	39.6	35.2	29.3	30.9	J30JY06P060P000C00000	39.6	35.2	30.8	30.9
J30JY07P070S000C00000	43.7	39.3	33.4	35	J30JY07P070P000C00000	43.7	39.3	34.9	35
J30JY08P080S000C00000	47.8	43.4	37.5	39.1	J30JY08P080P000C00000	47.8	43.4	39	39.1
J30JY09P090S000C00000	51.9	47.5	41.6	43.2	J30JY09P090P000C00000	51.9	47.5	43.1	43.2
J30JY10P100S000C00000	56	51.6	45.7	47.3	J30JY10P100P000C00000	56	51.6	47.2	47.3
J30JY09P02JSC00C00000	29.7	24.5	18.6	20.2	J30JY09P02KPC00C00000	29.7	24.5	20.1	20.2
J30JY11P04JSC00C00000	36.3	30.9	25	26.6	J30JY11P04KPC00C00000	36.3	30.9	26.5	26.6
J30JY16P03JSC00C00000	34.8	29.3	23.4	25	J30JY16P03KPC00C00000	34.8	29.3	24.9	25
J30JY21P02JSC00C00000	36.3	30.9	25	26.6	J30JY21P02KPC00C00000	36.3	30.9	26.5	26.6
J30JY25P02JSC00C00000	36.3	30.9	25	26.6	J30JY25P02KPC00C00000	36.3	30.9	26.5	26.6
J30JY27P02JSC00C00000	36.3	30.9	25	26.6	J30JY27P02KPC00C00000	36.3	30.9	26.5	26.6
J30JY39P02JSC00C00000	42.8	37.3	31.4	33	J30JY39P02KPC00C00000	42.8	37.3	32.9	33

J30J series large and small current mixed rectangular electrical connector

■ J30J □□ P□□ □ S □□□ C0 000 J

■ J30J □□ P□□ □ P □□□ C0 000 J



Plug specification number	size	Socket specification number	size			
	A		A	B	C	D
J30J02P020S000C0000J1	22.7	J30J02P020P000C0000J	28	23.2	18.9	14.5
J30J03P030S000C0000J1	26.8	J30J03P030P000C0000J	32.1	27.3	23	18.6
J30J04P040S000C0000J1	30.9	J30J04P040P000C0000J	36.2	31.4	27.1	22.7
J30J05P050S000C0000J1	34.8	J30J05P050P000C0000J	41.1	35.3	31	26.6
J30J06P060S000C0000J1	39.1	J30J06P060P000C0000J	44.4	39.6	35.3	30.9
J30J07P070S000C0000J1	43.2	J30J07P070P000C0000J	48.5	43.7	39.4	35
J30J08P080S000C0000J1	47.3	J30J08P080P000C0000J	52.6	47.8	43.5	39.1
J30J09P090S000C0000J1	51.4	J30J09P090P000C0000J	56.7	51.9	47.6	43.2
J30J10P100S000C0000J1	55.5	J30J10P100P000C0000J	60.8	56	51.7	47.3
J30J09P02JSC00C0000J1	28.4	J30J09P02KPC00C0000J	34.5	28.9	24.6	20.2
J30J11P04JSC00C0000J1	34.8	J30J11P04KPC00C0000J	41.1	35.3	31	26.6
J30J16P03JSC00C0000J1	33.2	J30J16P03KPC00C0000J	34.8	29.3	24.9	25
J30J21P02JSC00C0000J1	34.8	J30J21P02KPC00C0000J	41.1	35.3	31	26.6
J30J25P02JSC00C0000J1	34.8	J30J25P02KPC00C0000J	41.1	35.3	31	26.6
J30J27P02JSC00C0000J1	34.8	J30J27P02KPC00C0000J	41.1	35.3	31	26.6
J30J39P02JSC00C0000J1	41.3	J30J39P02KPC00C0000J	47.6	41.7	37.4	33

J30J series large and small current mixed rectangular electrical connector

■ Welded plug

■ J30J □□P□□ □ S □□□S0 000 0



J30J 04P04 0 S 000 S0 000 0

■ Welded socket

■ J30J □□P□□ □ P □□□ S0 000 0



J30J 04P04 0 P 000 S0 000 0

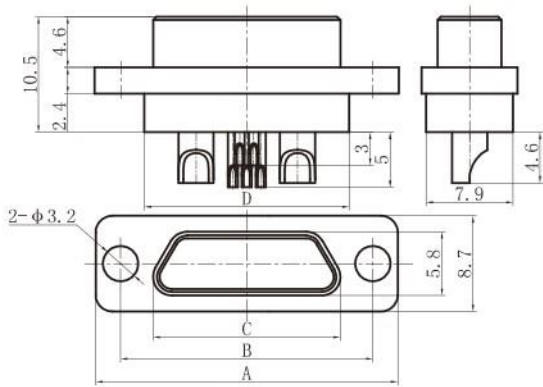


J30J 09P02 J S S00 S0 000 0

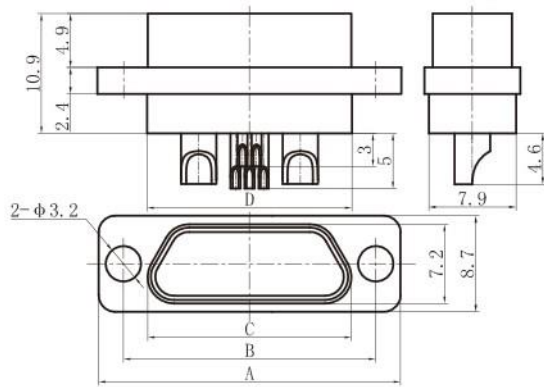


J30J 09P02 K P S00 S0 000 0

■ J30J □□P□□□ S □□□ S0 000 0



■ J30J □□P□□ □ P □□□ S0 000 0



Plug specification number	size				Socket specification number	size			
	A	B	C	D		A	B	C	D
J30J02P020S000S00000	23.2	18.8	12.9	14.5	J30J02P020P000S00000	23.2	18.8	14.4	14.5
J30J03P030S000S00000	27.3	22.9	17	18.6	J30J03P030P000S00000	27.3	22.9	18.5	18.6
J30J04P040S000S00000	31.4	27	21.1	22.7	J30J04P040P000S00000	31.4	27	22.6	22.7
J30J05P050S000S00000	36.3	30.9	25	26.6	J30J05P050P000S00000	36.3	30.9	26.5	26.6
J30J06P060S000S00000	39.6	35.2	29.3	30.9	J30J06P060P000S00000	39.6	35.2	30.8	30.9
J30J07P070S000S00000	43.7	39.3	33.4	35	J30J07P070P000S00000	43.7	39.3	34.9	35
J30J08P080S000S00000	47.8	43.4	37.5	39.1	J30J08P080P000S00000	47.8	43.4	39	39.1
J30J09P090S000S00000	51.9	47.5	41.6	43.2	J30J09P090P000S00000	51.9	47.5	43.1	43.2
J30J10P100S000S00000	56	51.6	45.7	47.3	J30J10P100P000S00000	56	51.6	47.2	47.3
J30J09P02JSS00S00000	29.7	24.5	18.6	20.2	J30J09P02KPS00S00000	29.7	24.5	20.1	20.2
J30J11P04JSS00S00000	36.3	30.9	25	26.6	J30J11P04KPS00S00000	36.3	30.9	26.5	26.6
J30J16P03JSS00S00000	34.8	29.3	23.4	25	J30J16P03KPS00S00000	34.8	29.3	24.9	25
J30J21P02JSS00S00000	36.3	30.9	25	26.6	J30J21P02KPS00S00000	36.3	30.9	26.5	26.6
J30J25P02JSS00S00000	36.3	30.9	25	26.6	J30J25P02KPS00S00000	36.3	30.9	26.5	26.6
J30J27P02JSS00S00000	36.3	30.9	25	26.6	J30J27P02KPS00S00000	36.3	30.9	26.5	26.6
J30J39P02JSS00S00000	42.8	37.3	31.4	33	J30J39P02KPS00S00000	42.8	37.3	32.9	33

J30J series large and small current mixed rectangular electrical connector

■ In-line printed panel plug

■ J30J □□P□□ □ S □□□ N1 000 0



J30J 04P04 0 S 000 N1 000 0

■ Printed panel socket in line

■ J30J □□P□□ □ P □□□ N1 000 0



J30J 04P04 0 P 000 N1 000 0

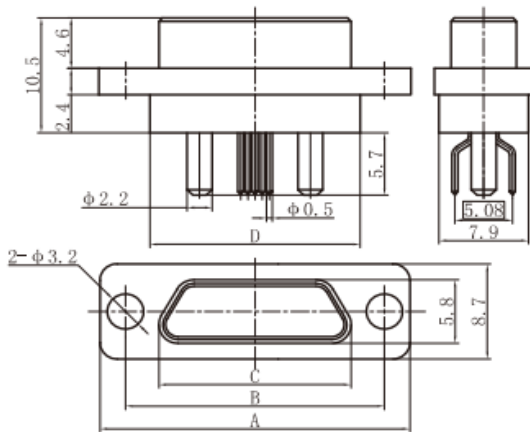


J30J 09P02 J S N01 N1 000 0

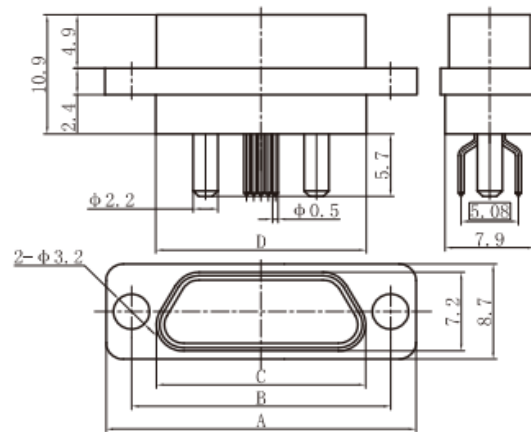


J30J 09P02 K P N01 N1 000 0

■ J30J □□P□□ □ S □□□ N1 000 0



■ J30J □□P□□ □ P □□□ N1 000 0



Plug specification number	size				Socket specification number	size			
	A	B	C	D		A	B	C	D
J30J02P020S000N10000	23.2	18.8	12.9	14.5	J30J02P020P000N10000	23.2	18.8	14.4	14.5
J30J03P030S000N10000	27.3	22.9	17	18.6	J30J03P030P000N10000	27.3	22.9	18.5	18.6
J30J04P040S000N10000	31.4	27	21.1	22.7	J30J04P040P000N10000	31.4	27	22.6	22.7
J30J05P050S000N10000	36.3	30.9	25	26.6	J30J05P050P000N10000	36.3	30.9	26.5	26.6
J30J06P060S000N10000	39.6	35.2	29.3	30.9	J30J06P060P000N10000	39.6	35.2	30.8	30.9
J30J07P070S000N10000	43.7	39.3	33.4	35	J30J07P070P000N10000	43.7	39.3	34.9	35
J30J08P080S000N10000	47.8	43.4	37.5	39.1	J30J08P080P000N10000	47.8	43.4	39	39.1
J30J09P090S000N10000	51.9	47.5	41.6	43.2	J30J09P090P000N10000	51.9	47.5	43.1	43.2
J30J10P100S000N10000	56	51.6	45.7	47.3	J30J10P100P000N10000	56	51.6	47.2	47.3
J30J09P02JNS01N10000	29.7	24.5	18.6	20.2	J30J09P02KPN01N10000	29.7	24.5	20.1	20.2
J30J11P04JNS01N10000	36.3	30.9	25	26.6	J30J11P04KPN01N10000	36.3	30.9	26.5	26.6
J30J16P03JNS01N10000	34.8	29.3	23.4	25	J30J16P03KPN01N10000	34.8	29.3	24.9	25
J30J21P02JNS01N10000	36.3	30.9	25	26.6	J30J21P02KPN01N10000	36.3	30.9	26.5	26.6
J30J25P02JNS01N10000	36.3	30.9	25	26.6	J30J25P02KPN01N10000	36.3	30.9	26.5	26.6
J30J27P02JNS01N10000	36.3	30.9	25	26.6	J30J27P02KPN01N10000	36.3	30.9	26.5	26.6
J30J39P02JNS01N10000	42.8	37.3	31.4	33	J30J39P02KPN01N10000	42.8	37.3	32.9	33

J30J series large and small current mixed rectangular electrical connector

■ Bent insert printed panel plug

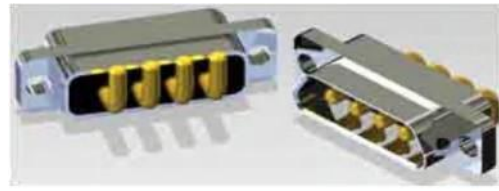
■ J30J □□P□□ □ S □□□ W1 000 0



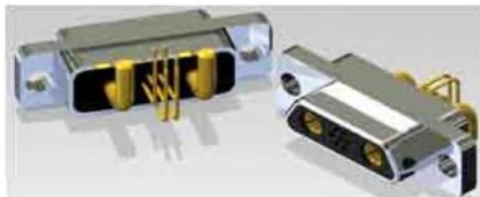
J30J 04P04 0 S 000 W1 000 0

■ Bent insert printed panel plug

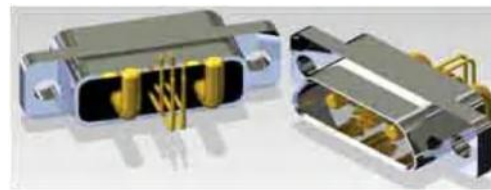
■ J30J □□P□□ □ P □□□ W1 000 0



J30J 04P04 0 P 000 W1 000 0



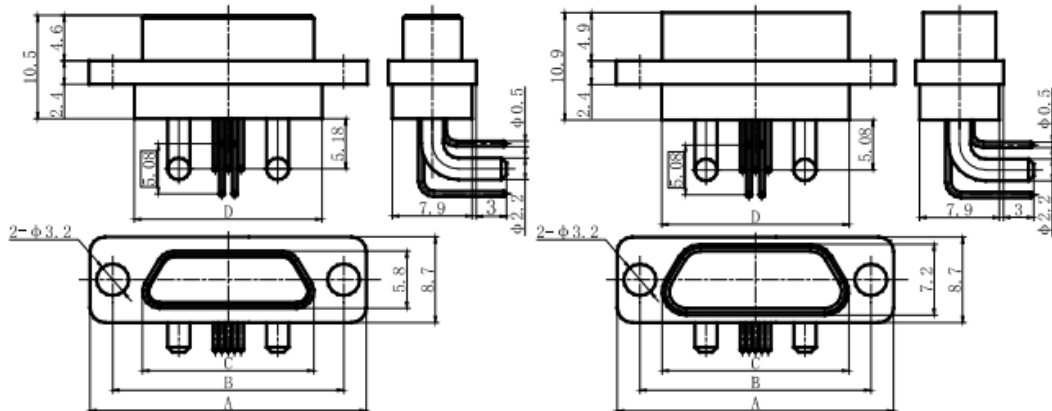
J30J 09P02 J S W01 W1 000 0



J30J 09P02 K P W01 W1 000 0

■ J30J □□P□□ □ S □□□ W1 000 0

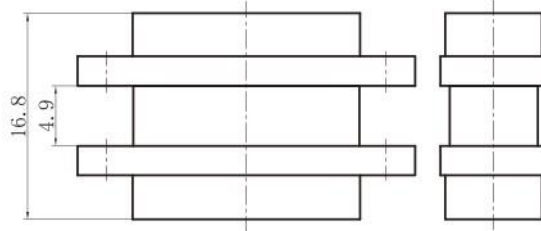
■ J30J □□P□□ □ P □□□ W1 000 0



Plug specification number	size				Socket specification number	size			
	A	B	C	D		A	B	C	D
J30J02P020S000W10000	23.2	18.8	12.9	14.5	J30J02P020P000W10000	23.2	18.8	14.4	14.5
J30J03P030S000W10000	27.3	22.9	17	18.6	J30J03P030P000W10000	27.3	22.9	18.5	18.6
J30J04P040S000W10000	31.4	27	21.1	22.7	J30J04P040P000W10000	31.4	27	22.6	22.7
J30J05P050S000W10000	36.3	30.9	25	26.6	J30J05P050P000W10000	36.3	30.9	26.5	26.6
J30J06P060S000W10000	39.6	35.2	29.3	30.9	J30J06P060P000W10000	39.6	35.2	30.8	30.9
J30J07P070S000W10000	43.7	39.3	33.4	35	J30J07P070P000W10000	43.7	39.3	34.9	35
J30J08P080S000W10000	47.8	43.4	37.5	39.1	J30J08P080P000W10000	47.8	43.4	39	39.1
J30J09P090S000W10000	51.9	47.5	41.6	43.2	J30J09P090P000W10000	51.9	47.5	43.1	43.2
J30J10P100S000W10000	56	51.6	45.7	47.3	J30J10P100P000W10000	56	51.6	47.2	47.3
J30J09P02JSW01W10000	29.7	24.5	18.6	20.2	J30J09P02KPW01W10000	29.7	24.5	20.1	20.2
J30J11P04JSW01W10000	36.3	30.9	25	26.6	J30J11P04KPW01W10000	36.3	30.9	26.5	26.6
J30J16P03JSW01W10000	34.8	29.3	23.4	25	J30J16P03KPW01W10000	34.8	29.3	24.9	25
J30J21P02JSW01W10000	36.3	30.9	25	26.6	J30J21P02KPW01W10000	36.3	30.9	26.5	26.6
J30J25P02JSW01W10000	36.3	30.9	25	26.6	J30J25P02KPW01W10000	36.3	30.9	26.5	26.6
J30J27P02JSW01W10000	36.3	30.9	25	26.6	J30J27P02KPW01W10000	36.3	30.9	26.5	26.6
J30J39P02JSW01W10000	42.8	37.3	31.4	33	J30J39P02KPW01W10000	42.8	37.3	32.9	33

J30J series large and small current mixed rectangular electrical connector

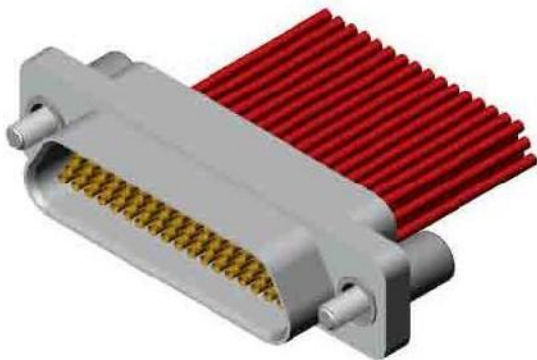
■ Docking diagram



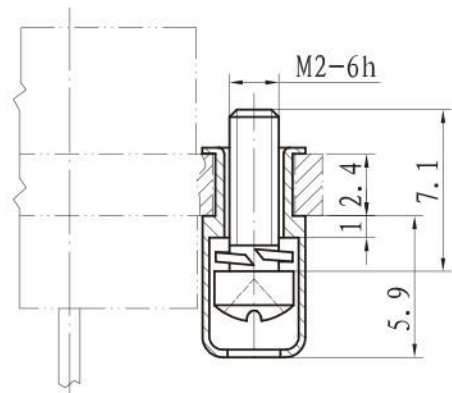
■ J30J Series Large and small current hybrid rectangular electric connector \ locking attachment Free end

■ locking attachment

■ J30JL00



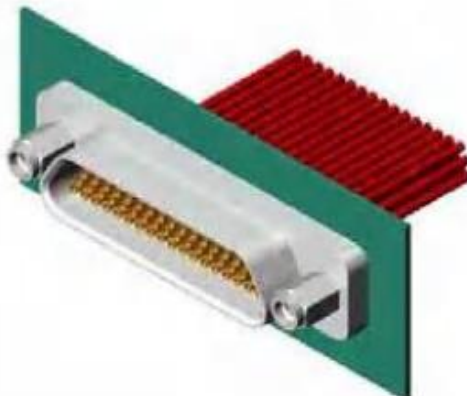
Assembly diagram



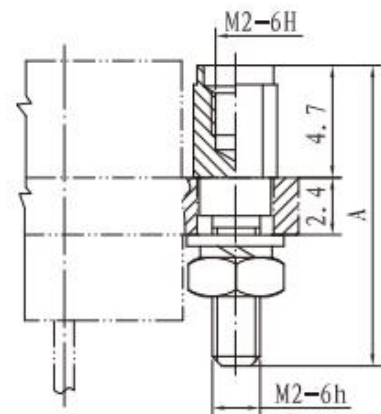
Overall dimension

■ Fixed end locking attachment

■ J30JP00、J30JP12



Assembly diagram

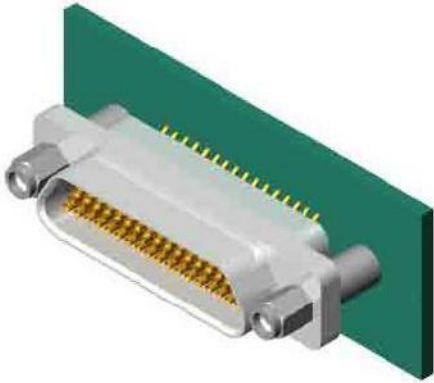


Overall dimension

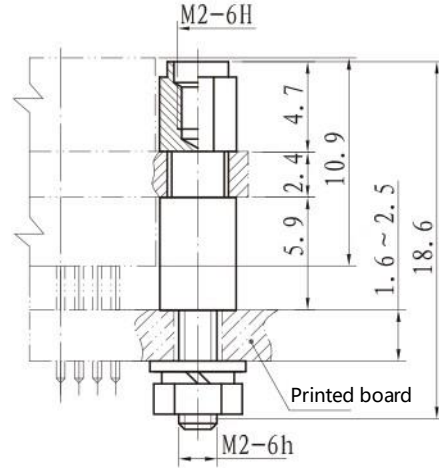
Lock attachment code	A
J30JP00	12.6
J30JP12	15.6

J30J series large and small current mixed rectangular electrical connector

- Fixed end locking attachment
- J30JP03

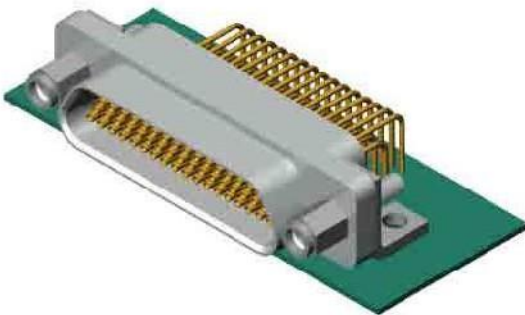


Assembly diagram

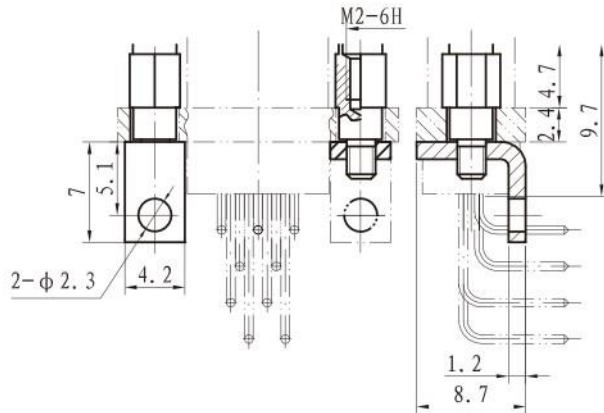


Overall dimension

- Fixed end locking attachment
- J30JP04

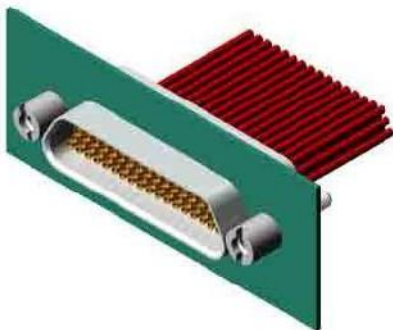


Assembly diagram

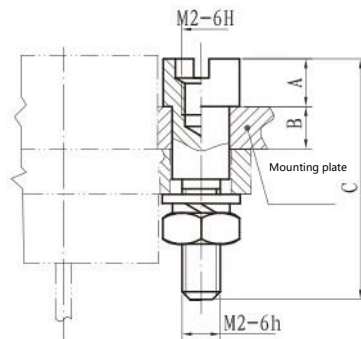


Overall dimension

- Fixed end locking attachment
- J30JP05、J30JP06、J30JP07、J30JP08、J30JP09



Assembly diagram



Overall dimension

designation	A	B	C
J30JP05	4.1	0.6	12.6
J30JP06	3.3	1.4	12.6
J30JP07	2.5	2.2	12.6
J30JP08	1.3	3.4	12.6
J30JP09	2.7	2	20

J30J series large and small current mixed rectangular electrical connector

Fixed end locking attachment
 J30JP10

Assembly diagram
Overall dimension

Fixed end locking attachment
 J30JP11

Assembly diagram
Overall dimension

Wire clamp fitting
 J30J□□□A3

Assembly diagram
Overall dimension

Wire clamp fitting code	A	B	Wire clamp fitting code	A	B
J30J02P02A3	23.3	14.5	J30J10P10A3	56.1	47.3
J30J03P03A3	27.4	18.6	J30J09P02A3	29.8	20.2
J30J04P04A3	31.5	22.7	J30J11P04A3	36.4	26.6
J30J05P05A3	36.4	26.6	J30J16P03A3	34.8	25
J30J06P06A3	39.7	30.9	J30J21P02A3	36.4	26.6
J30J07P07A3	43.8	35	J30J25P02A3	36.4	26.6
J30J08P08A3	47.9	39.1	J30J27P02A3	36.4	26.6
J30J09P09A3	52	43.2	J30J39P02A3	42.9	33

J30J series large and small current mixed rectangular electrical connector

■ J30J Series Size Current hybrid rectangular electrical connector \ mounting hole size

■ Plate front mounting hole dimensions

■ Plate rear mounting hole dimensions

Contact arrangement	A	B	Contact arrangement	A	B
02P02	18.8	14.8	10P10	51.6	47.6
03P03	22.9	18.9	09P02	24.5	20.5
04P04	27	23	11P04	30.9	26.9
05P05	30.9	26.9	16P03	29.3	26.8
06P06	35.2	31.2	21P02	30.9	26.9
07P07	39.3	35.3	25P02	30.9	26.9
08P08	43.4	39.4	27P02	30.9	26.9
09P09	47.5	43.5	39P02	37.3	33.3

Note: For J30JP11 type locking accessories, the mounting plate holes on both sides of the mounting plate holes are directly cut M3 thread holes on the mounting plate.

■ J30J Series Size Current hybrid rectangular electrical connector \ printed board opening size

■ J30J00P000S000N10000 Dimensions of the opening of an in-line printed board

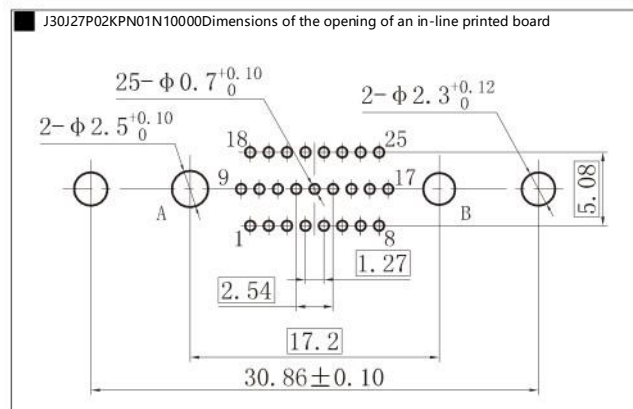
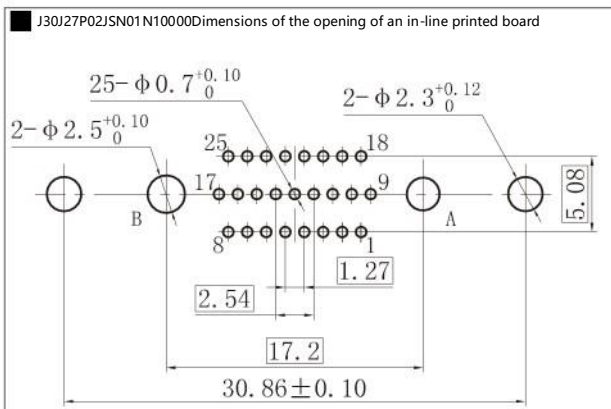
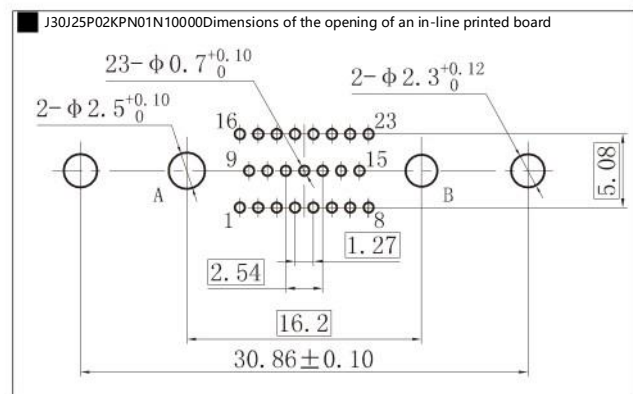
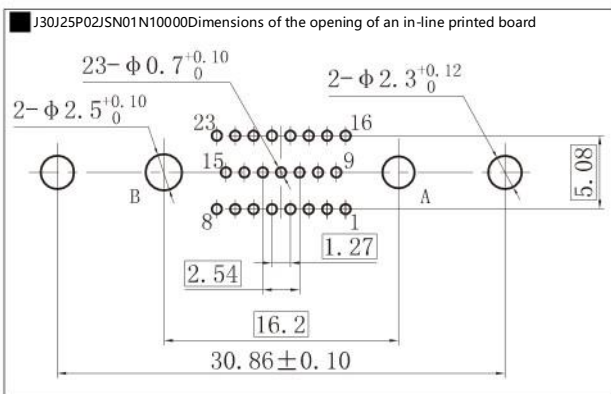
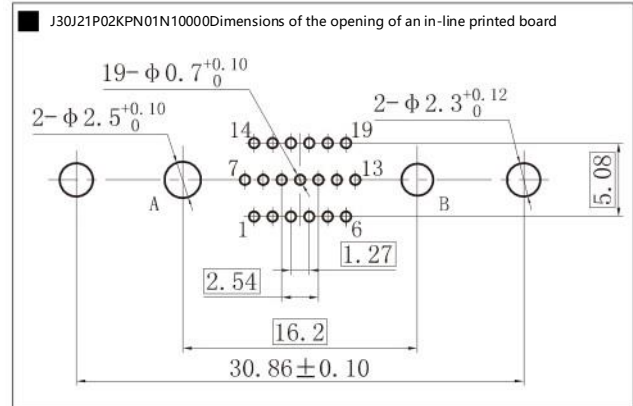
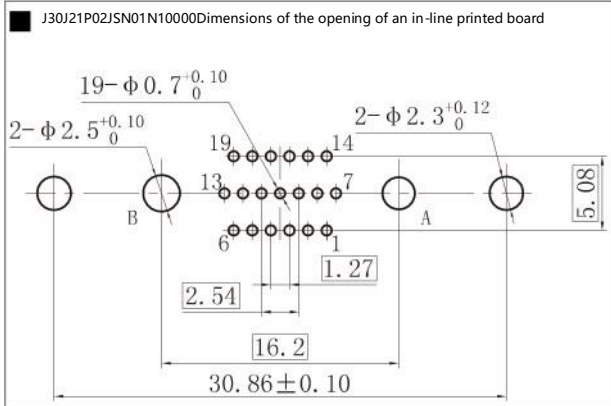
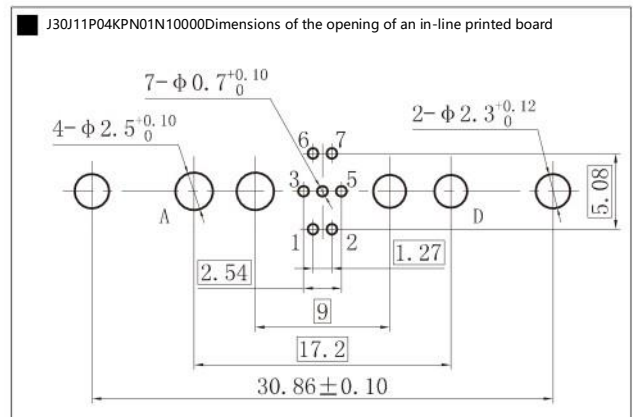
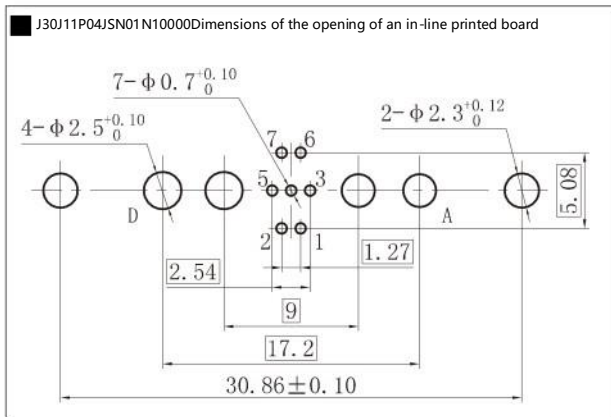
■ J30J00P000P000N10000 Dimensions of the opening of an in-line printed board

Contact arrangement	L	n	×	Contact arrangement	A	n	×
02P02	18.8	2	B	07P07	39.3	7	G
03P03	22.9	3	C	08P08	43.4	8	H
04P04	27	4	D	09P09	47.5	9	I
05P05	30.9	5	E	10P10	51.6	10	J
06P06	35.2	6	F				

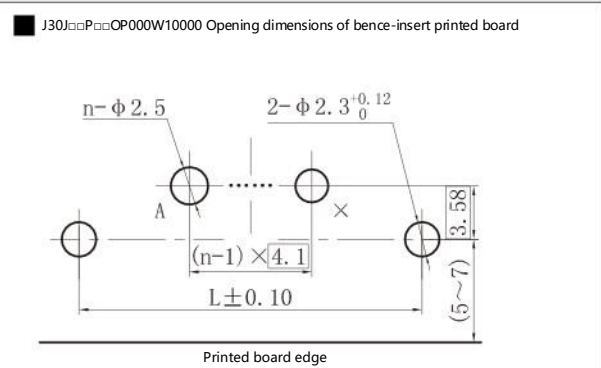
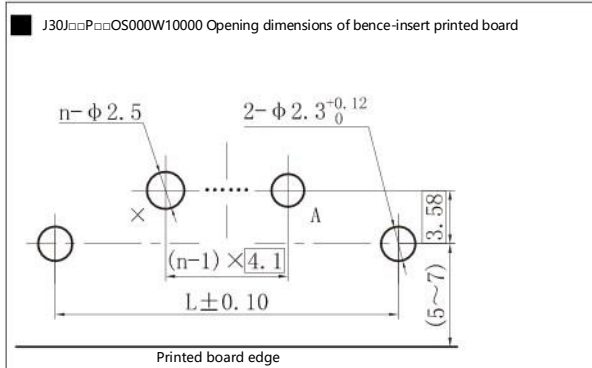
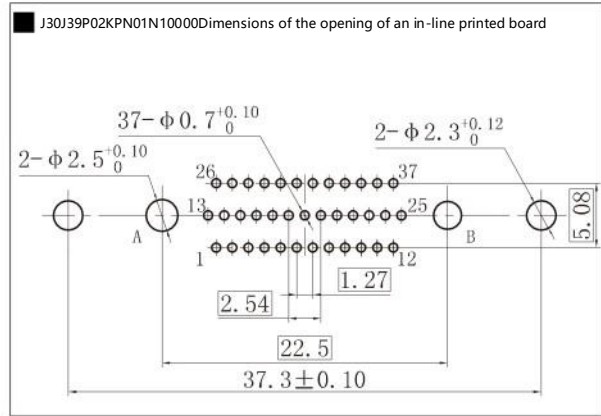
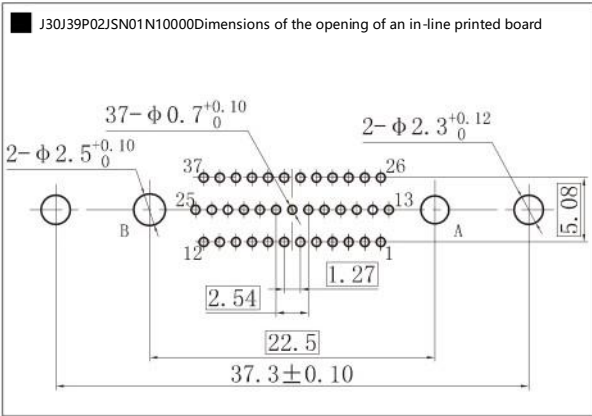
■ J30J09P02J5N01N10000 Dimensions of the opening of an in-line printed board

■ J30J09P02KPN01N10000 Dimensions of the opening of an in-line printed board

J30J series large and small current mixed rectangular electrical connector



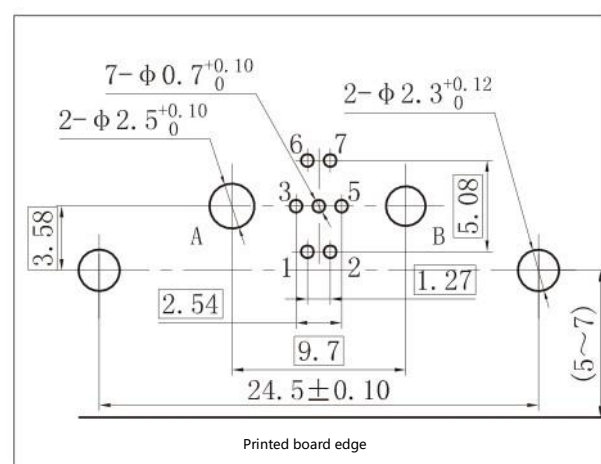
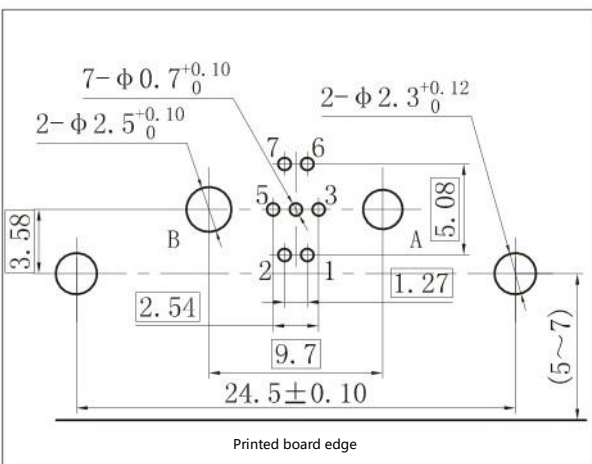
J30J series large and small current mixed rectangular electrical connector



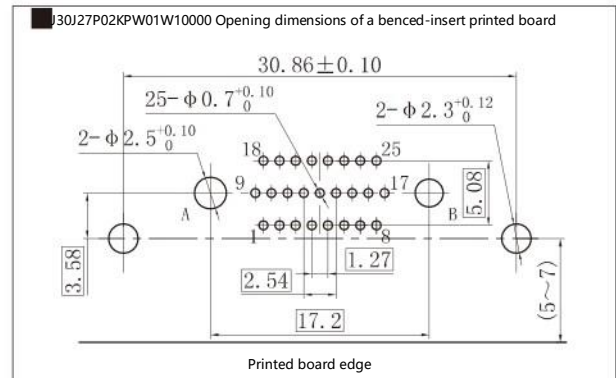
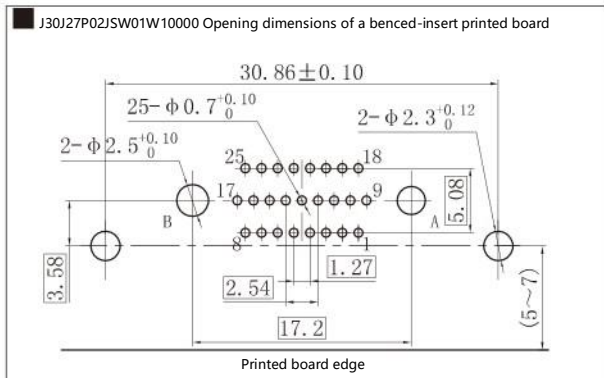
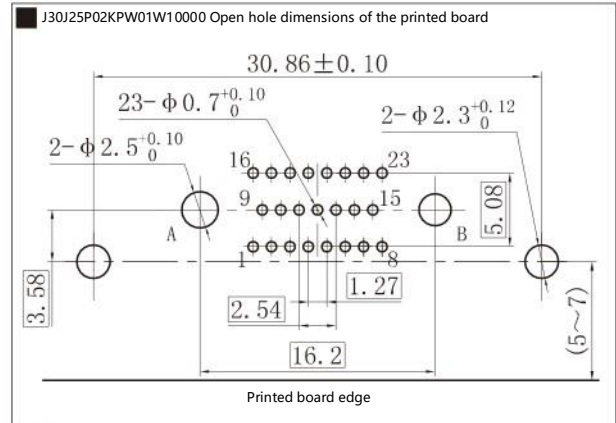
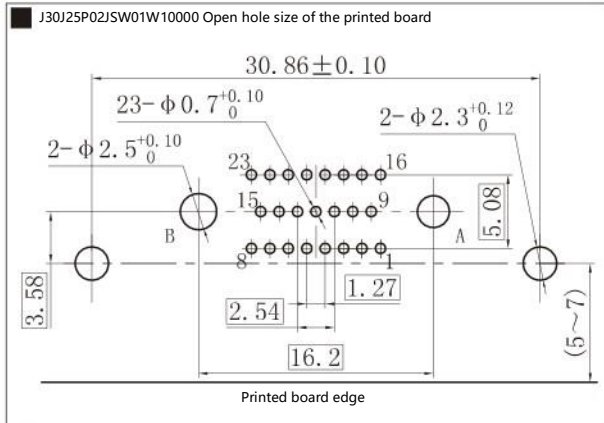
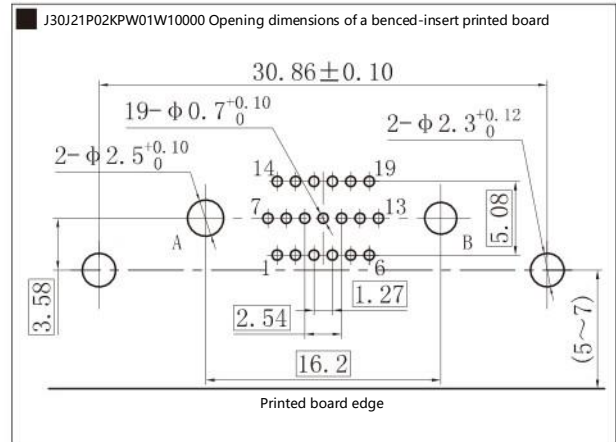
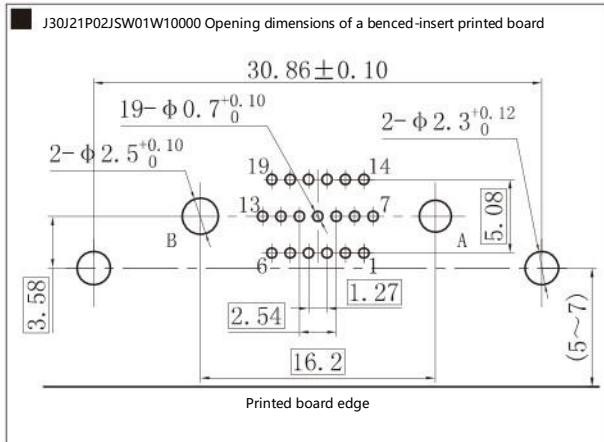
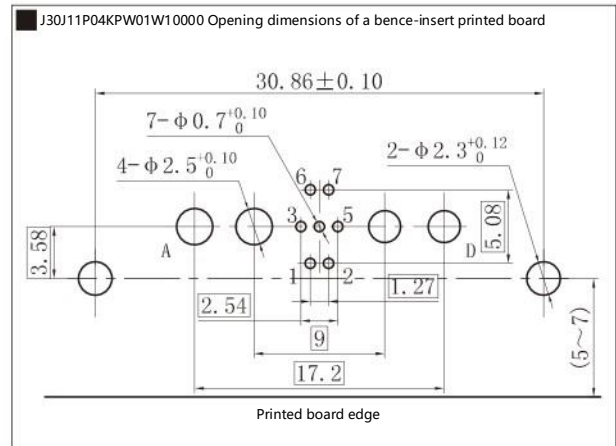
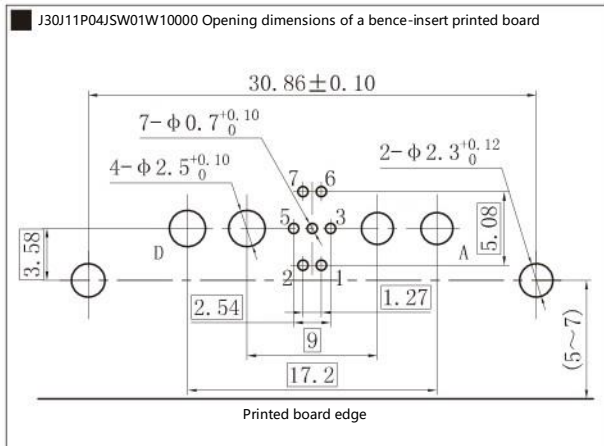
Contact arrangement	L	n	×	Contact arrangement	A	n	×
02P02	18.8	2	B	07P07	39.3	7	G
03P03	22.9	3	C	08P08	43.4	8	H
04P04	27	4	D	09P09	47.5	9	I
05P05	30.9	5	E	10P10	51.6	10	J
06P06	35.2	6	F				

J30J09P02JSW01W10000 Opening dimensions of a benced-insert printed board

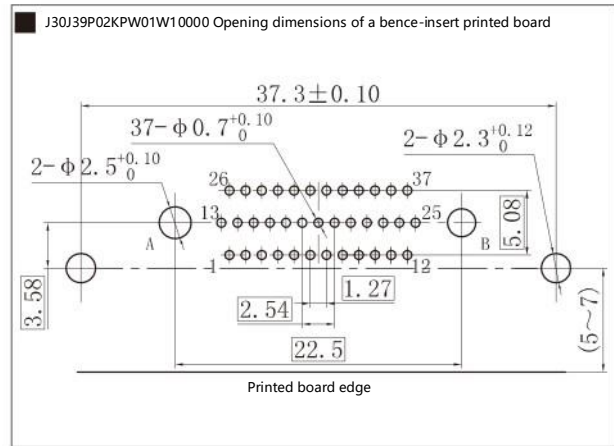
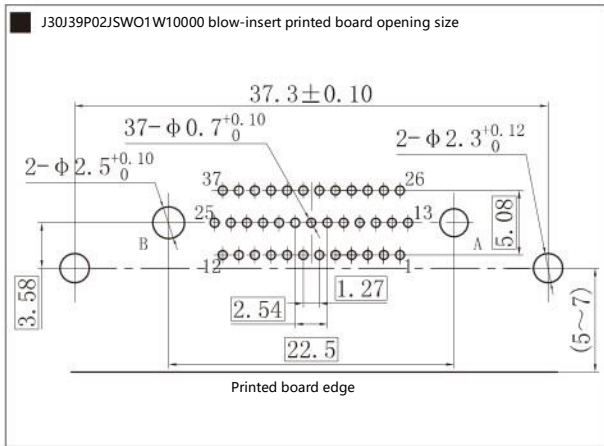
J30J09P02KPW01W10000 Opening dimensions of a benced-insert printed board



J30J series large and small current mixed rectangular electrical connector



J30J series large and small current mixed rectangular electrical connector



J30 series micro rectangular electrical connector

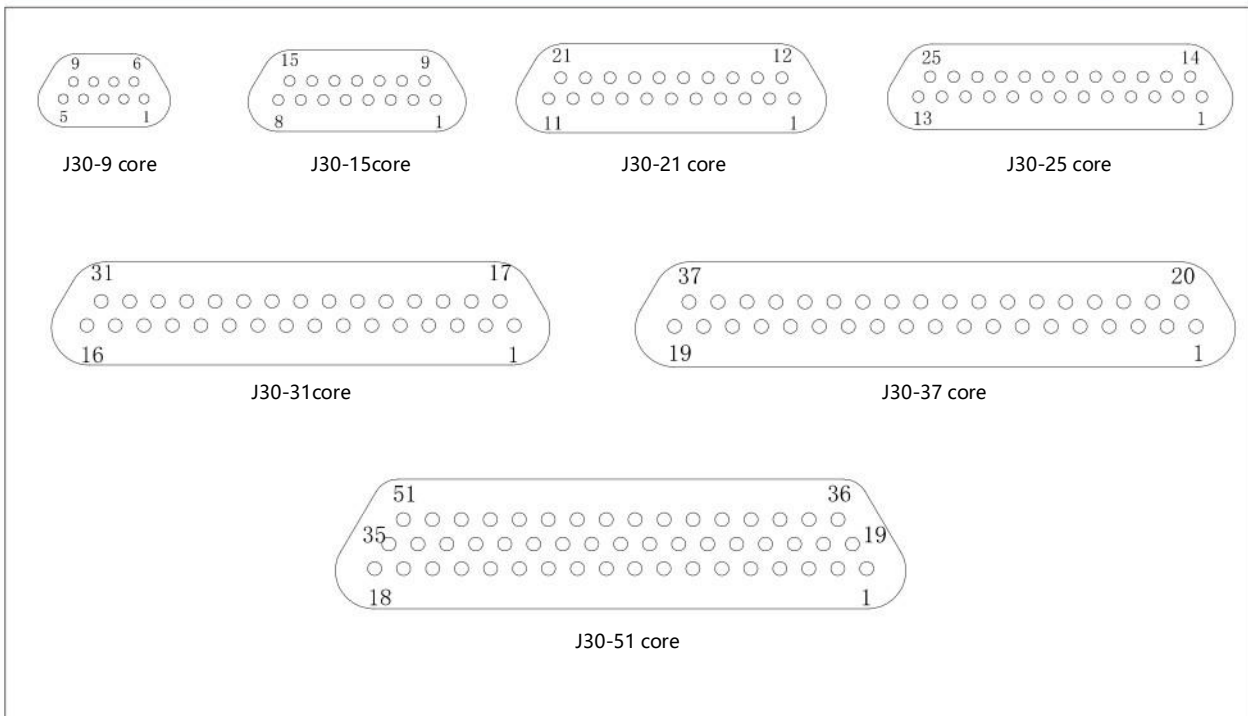
Brief introduction of characteristics

- Core number: 9, 15, 21, 25, 31, 37, 51 core seven specifications Twisted
- elastic pin (twist needle), high contact density
- Conductor core area 0.1mm²~0.15mm², in addition, can also use 0.07mm² wire, but the product model is special. The product performance meets the requirements of GJB2446
- The locking components of this series of products are purchased separately according to the order requirements. If it is necessary to assemble and supply together with the products, it should be indicated in the contract

Brief introduction of characteristics

- Ambient temperature: -55 °C ~+125 °C
- oscillate:10HZ-2000HZ
- Random vibration: Power spectral density 0.4G²/Hz total speed root mean square value of 23.1G
- impact:735m/S² 11ms
- Rated current:3A
- Contact resistance:≤10MΩ
- Insulation resistance: ≥ 5000M Ω
- Medium voltage:800V
- Mechanical life: 500 cycles

Spectral arrangement



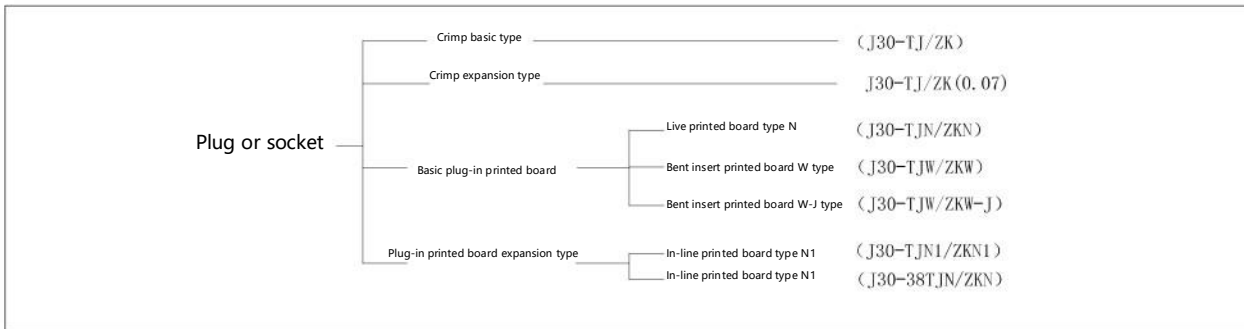
Note: View from plug butt end

J30 series micro rectangular electrical connector

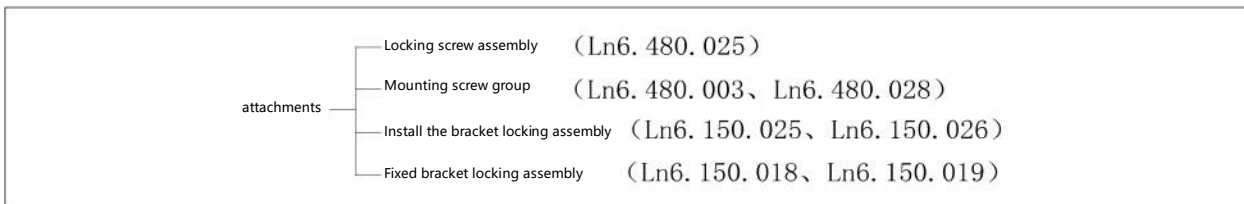
Product family tree

■ Plug (seat) family tree

J30 product family tree can be listed according to plug (seat) family tree, accessories family tree, as follows:



■ Attached family tree



Product selection must know matters

When ordering a J30 product, the required accessories should usually be specified according to the product's needs for product locking or installation. And specify the code name of the desired attachment.

J30 series micro rectangular electrical connector

Order mark

J30 × - × TJ/ZK × - × (Annex description)
 ① ② ③ ④ ⑤ ⑥

- ① Main name: J30
 - ② Shell change: There are three shell forms, which are basic type (unsigned), A, and B Number
 - ③ of contact parts: 9, 15, 21, 25, 31, 37, 51
 - ④ TJ/ZK - Connector and contact type:
 TJ - Plug insert pin;
 ZK - socket installation jack;
 TJ and ZK are fixed collocation
 - ⑤ Indicates tail form:
 No letters - crimp;
 N - live printed board;
 W - curved insert printed board;
 - ⑥ To indicate a modification or tail change:
 J-bending-insert printed board electrical connector tail pin grid spacing changed to 1.27 × 2.54 (column × row)
- Note: Additional instructions are not part of the order mark. Please indicate the specifications of crimped wires in brackets when selecting, such as cross-sectional area, length and color of wires. If there is a special connection requirement, please give the connection relationship.

Flag example

J30-37 TJ W-J

The above marks indicate that the contact is arranged in 37 cores, the contact is a pin, and the end of the contact is a W-J curved PCB plug.

J30 series micro rectangular electrical connector

J30 Crimped basic type \J30-TJ&J30-ZK

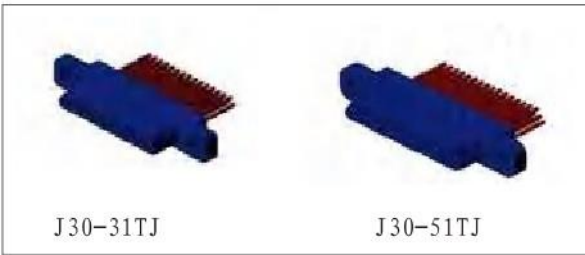
■ plug

■ J30-9、15、21、25、31、37、51TJ

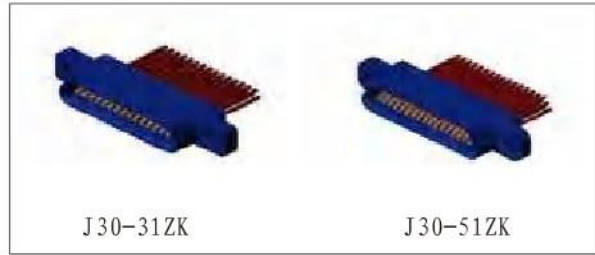
■ socket

■ J30-9、15、21、25、31、37、51ZK

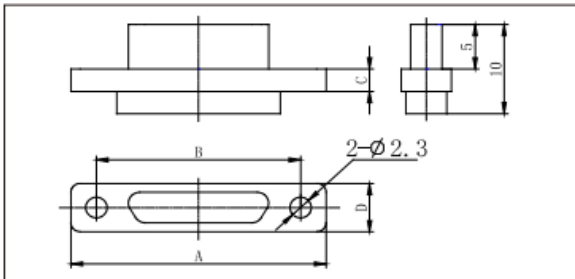
Product stereogram



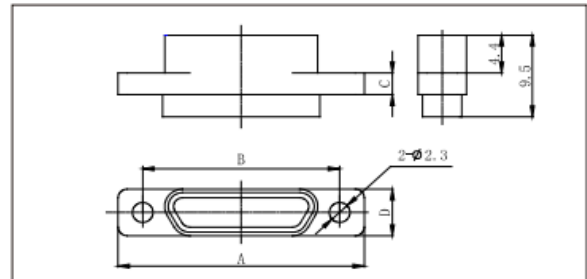
Product stereogram



Product stereogram

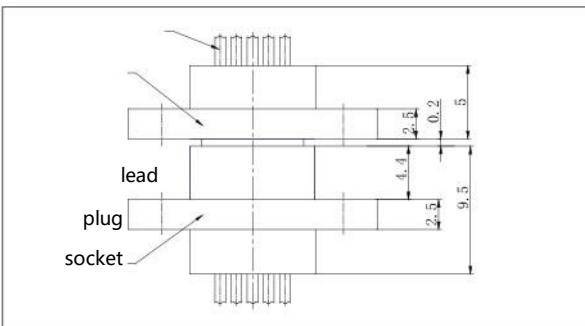


Product stereogram

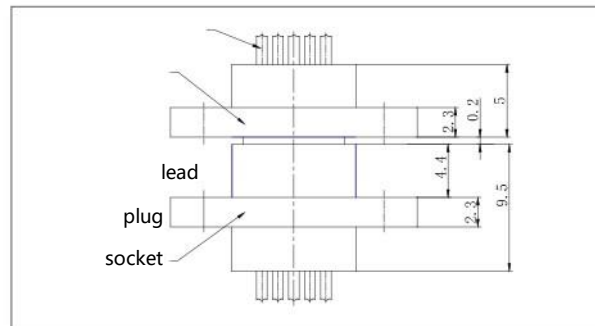


Order mark	A	B	C	D	Order mark	A	B	C	D
J30-9TJ	19.8	14.3	2.5	5.4	J30-9ZK	19.8	14.3	2.5	5.4
J30-15TJ	23.6	18.2	2.5	5.4	J30-15ZK	23.6	18.2	2.5	5.4
J30-21TJ	27.5	22	2.5	5.4	J30-21ZK	27.5	22	2.5	5.4
J30-25TJ	30	24.5	2.5	5.4	J30-25ZK	30	24.5	2.5	5.4
J30-31TJ	33.7	28.3	2.5	5.4	J30-31ZK	33.7	28.3	2.5	5.4
J30-37TJ	37.5	32.2	2.5	5.4	J30-37ZK	37.5	32.2	2.5	5.4
J30-51TJ	36.3	30.8	2.3	6.5	J30-51ZK	36.3	30.8	2.3	6.5

Product appearance after docking



J30-9~37 cores



J30-51 core

J30 Crimp Expansion type \J30-TJ (0.07) and J30-ZK (0.07)

This type of product is suitable for crimping wires with a cross-sectional area of 0.07mm², and the rest of the state of the product is completely consistent with the J30-TJ/ZK crimping basic model.

■ Plug: J30-9, 15, 21, 25, 31, 37, 51TJ (0.07)

■ Socket: J30-9, 15, 21, 25, 31, 37, 51ZK (0.07)

J30 series micro rectangular electrical connector

J30 plug-in printed board basic type V30 live printed board N type

The end of the contact is connected to the printed board in a straight insert mode. The spacing between adjacent columns is 2.54, and the row spacing is shown in the figure.

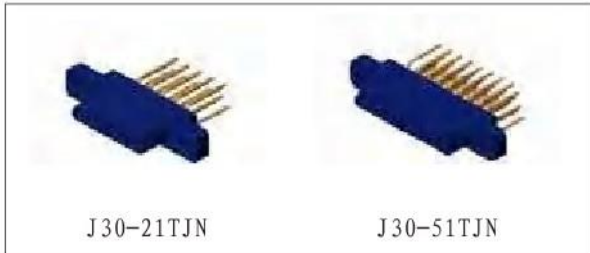
■ plug

■ J30-9、15、21、25、31、37、51TJN

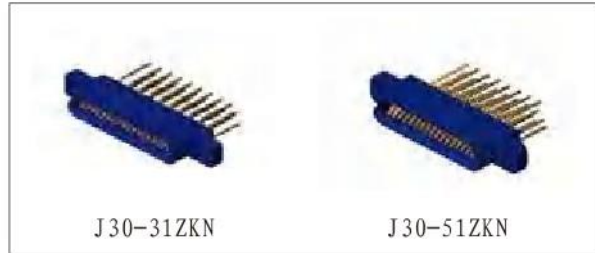
■ socket

■ J30-9、15、21、25、31、37、51ZKN

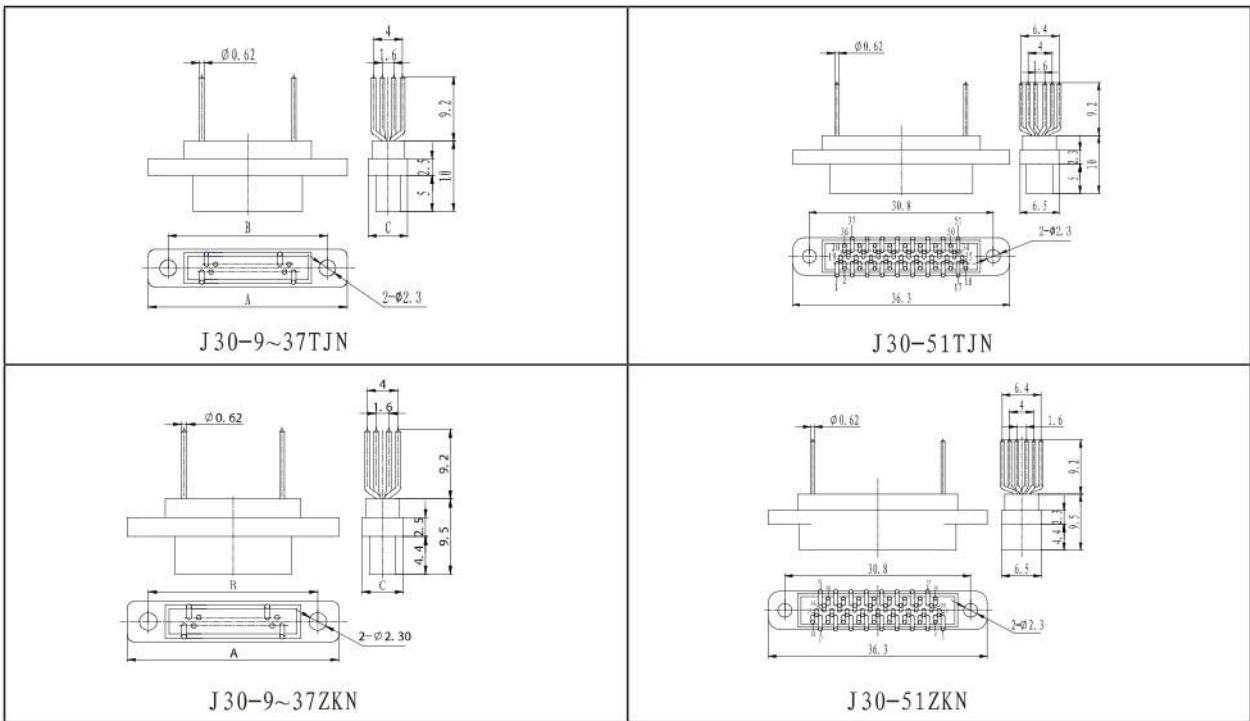
Product stereogram



Product stereogram



Product dimensions drawing



Order mark	A	B	C	Order mark	A	B	C
J30-9TJN	19.8	14.3	5.4	J30-9ZKN	19.8	14.3	5.4
J30-15TJN	23.6	18.2	5.4	J30-15ZKN	23.6	18.2	5.4
J30-21TJN	27.5	22	5.4	J30-21ZKN	27.5	22	5.4
J30-25TJN	30	24.5	5.4	J30-25ZKN	30	24.5	5.4
J30-31TJN	33.7	28.3	5.4	J30-31ZKN	33.7	28.3	5.4
J30-37TJN	37.5	32.2	5.4	J30-37ZKN	37.5	32.2	5.4

J30 series micro rectangular electrical connector

J30 plug-in printed board basic type VJ30 live printed board N1 type

The contact end is connected to the printed board in a straight insert mode, and the mesh size is 2.54×2.54 (column × row).

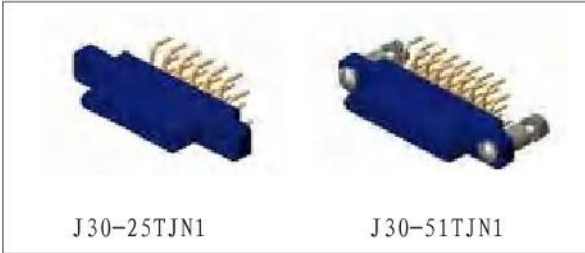
■ plug

■ J30-9、15、21、25、31、37、51TJN1

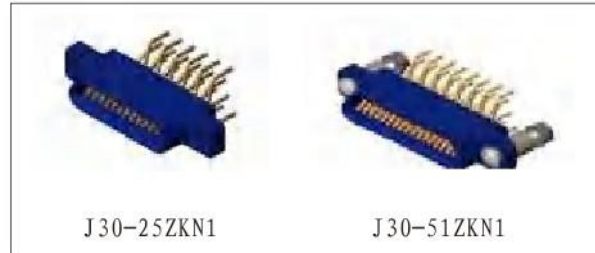
■ socket

■ J30-9、15、21、25、31、37、51ZKN1

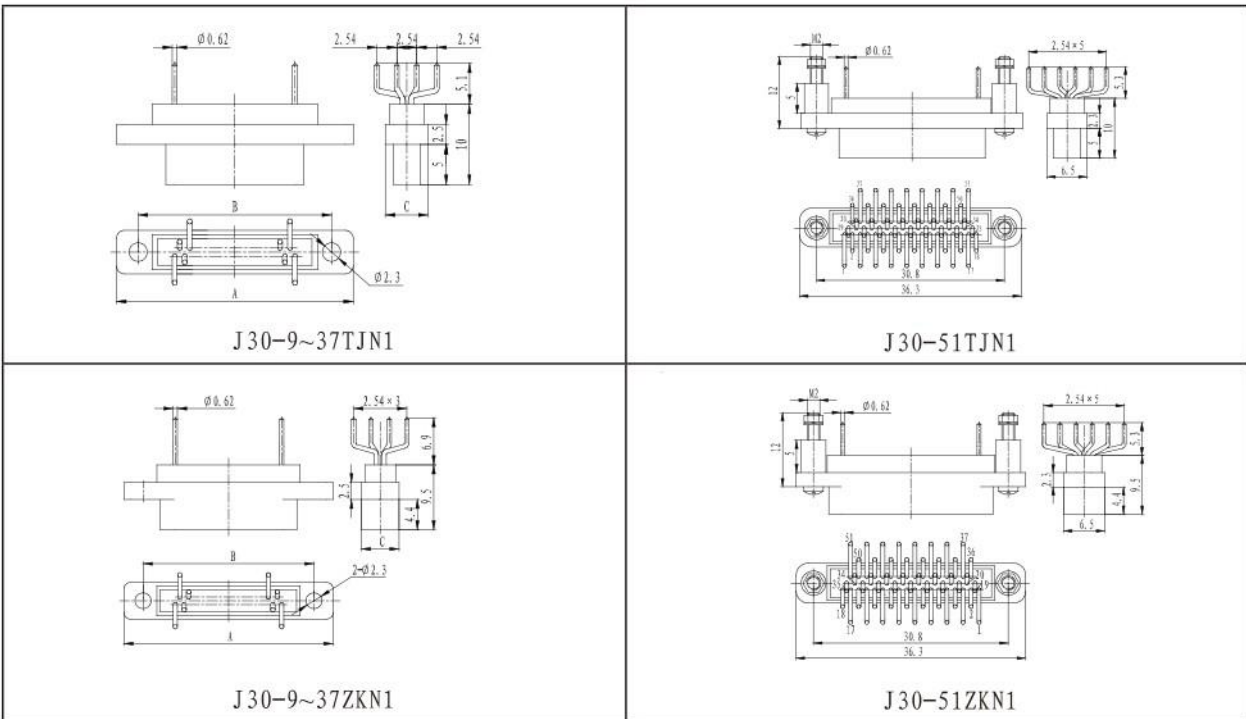
Product stereogram



Product stereogram



Product dimensions drawing



Order mark	A	B	C	Order mark	A	B	C
J30-9TJN1	19.8	14.3	5.4	J30-9ZKN1	19.8	14.3	5.4
J30-15TJN1	23.6	18.2	5.4	J30-15 ZKN1	23.6	18.2	5.4
J30-21TJN1	27.5	22	5.4	J30-21 ZKN1	27.5	22	5.4
J30-25TJN1	30	24.5	5.4	J30-25 ZKN1	30	24.5	5.4
J30-31TJN1	33.7	28.3	5.4	J30-31 ZKN1	33.7	28.3	5.4
J30-37TJN1	37.5	32.2	5.4	J30-37 ZKN1	37.5	32.2	5.4

J30 series micro rectangular electrical connector

J30 plug-in printed board basic type V30 curved insert printed board W type

The end of the contact is connected to the printed board in a bent insert mode, and the mesh size is 2.54 × 2.54 (column × row).

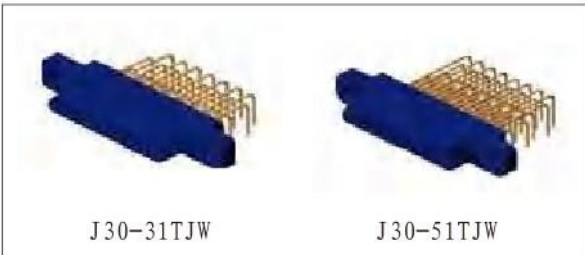
■ plug

■ J30-9、15、21、25、31、37、51TJW

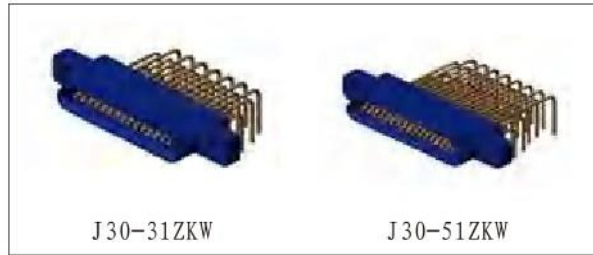
■ socket

■ J30-9、15、21、25、31、37、51ZKW

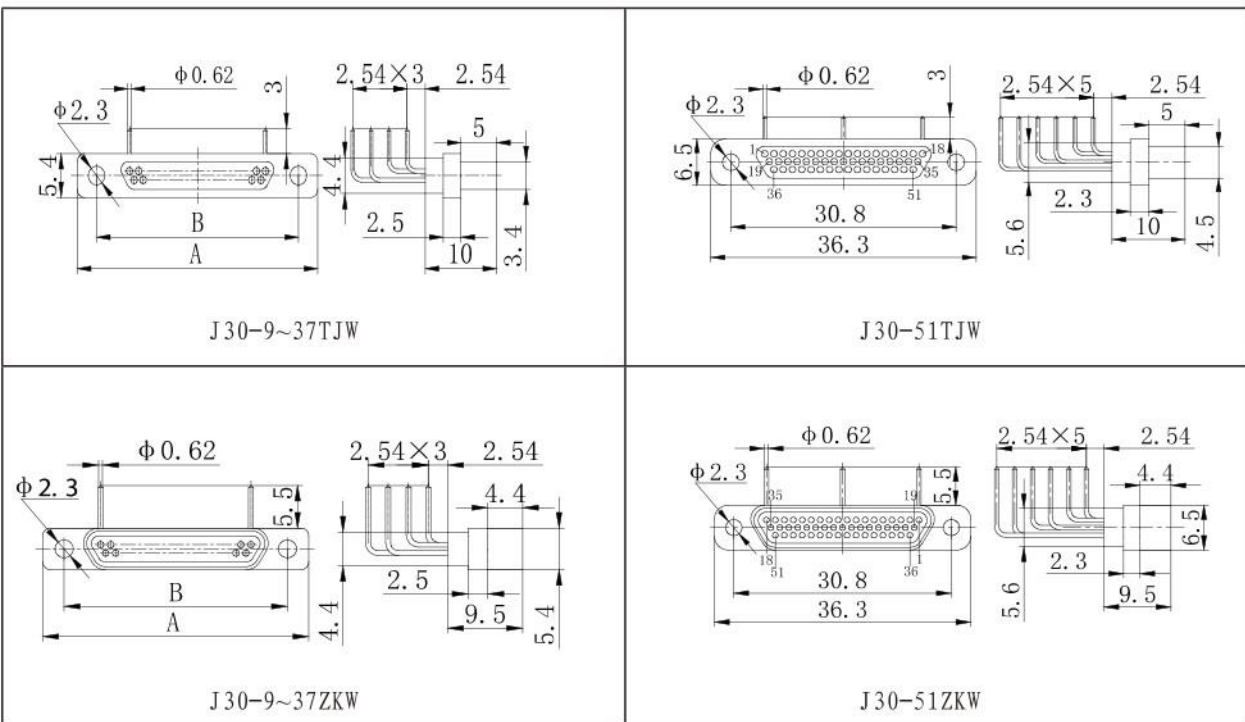
Product stereogram



Product stereogram



Product dimensions drawing



Order mark	A	B	Order mark	A	B
J30-9TJW	19.8	14.3	J30-9ZKW	19.8	14.3
J30-15TJW	23.6	18.2	J30-15ZKW	23.6	18.2
J30-21TJW	27.5	22.0	J30-21ZKW	27.5	22.0
J30-25TJW	30.0	24.5	J30-25ZKW	30.0	24.5
J30-31TJW	33.7	28.3	J30-31ZKW	33.7	28.3
J30-37TJW	37.5	32.2	J30-37ZKW	37.5	32.2

J30 series micro rectangular electrical connector

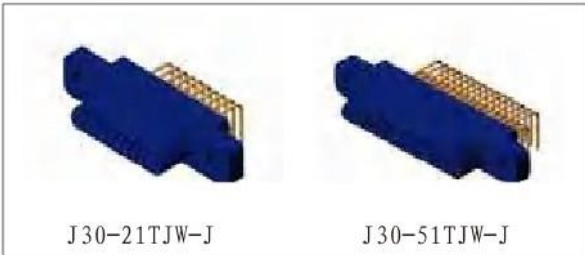
J30 series micro rectangular electrical connector

The end of the contact is connected to the printed board in a bent insert mode, and the mesh size of the "column x row" is 1.27 x 2.54

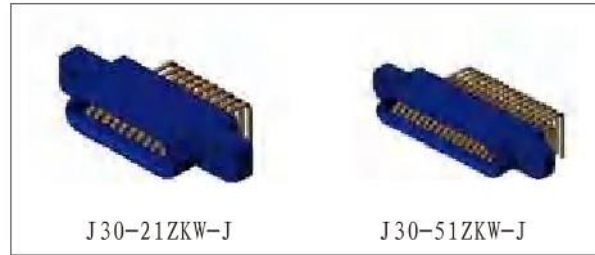
- plug
- J30-9、15、21、25、31、37、51TJW-J

- socket
- J30-9、15、21、25、31、37、51ZKW-J

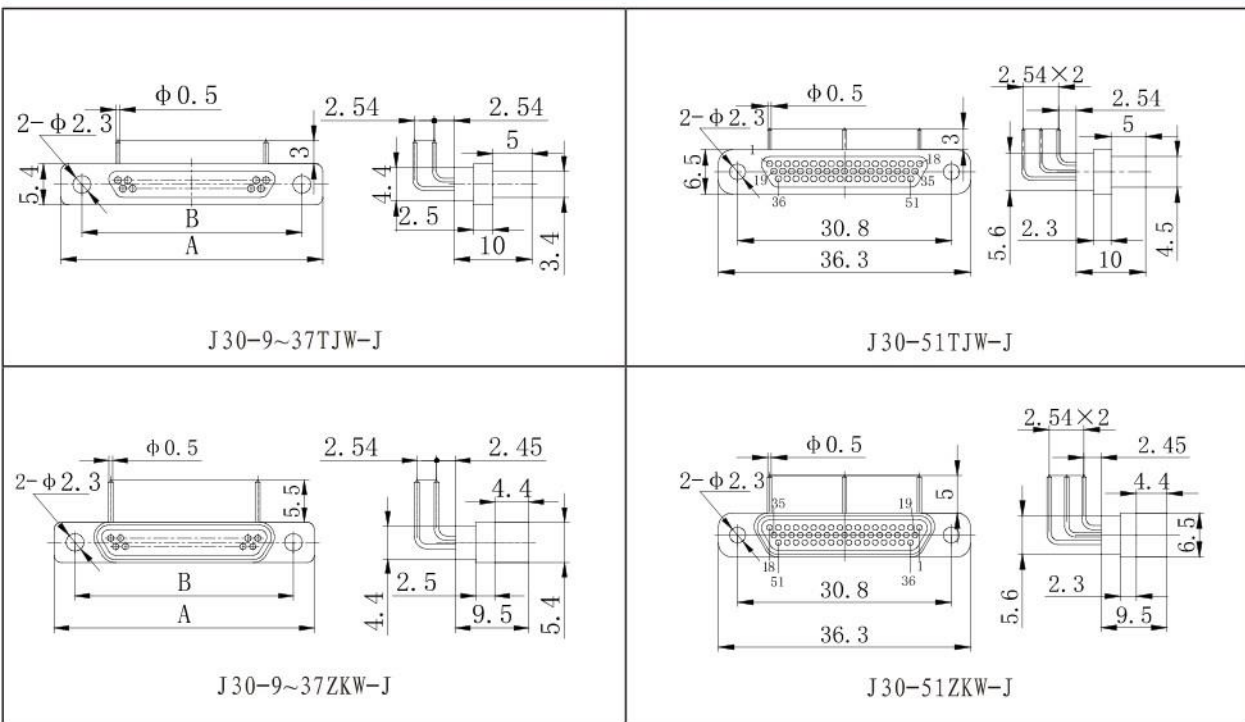
Product stereogram



Product stereogram



Product dimensions drawing



Order mark	A	B	Order mark	A	B
J30-9TJW-J/ZKW-J	19.8	14.3	J30-25TJW-J/ZKW-J	30	24.5
J30-15TJW-J/ZKW-J	23.6	18.2	J30-31TJW-J/ZKW-J	33.7	28.3
J30-21TJW-J/ZKW-J	27.5	22	J30-37TJW-J/ZKW-J	37.5	32.2

J30 series micro rectangular electrical connector

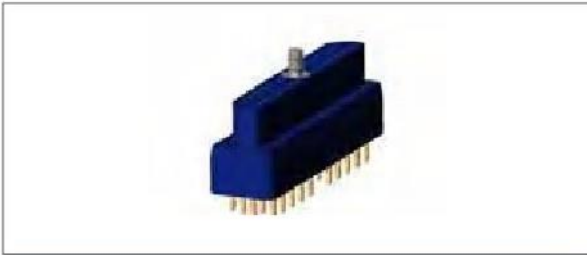
J30 plug-in printed board extension J30-38TJN and J30J-38ZKN

The product adopts the center screw locking method, mainly used for printed board circuit connection. The installation methods are as follows: the plug is inserted into the printed board, the socket is inserted into the bent printed board and the surface mount.

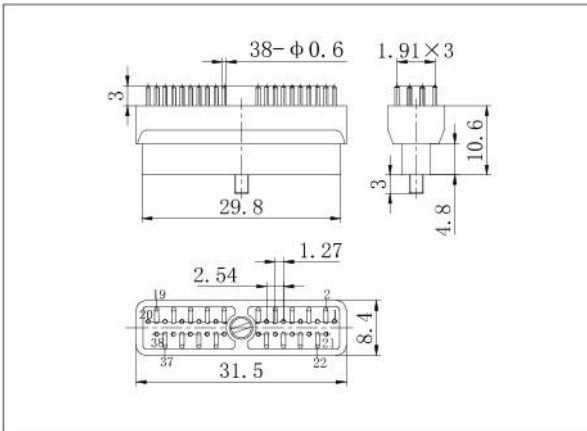
- plug
- J30-38TJN

- socket
- J30-38ZKN

Product stereogram



Product stereogram

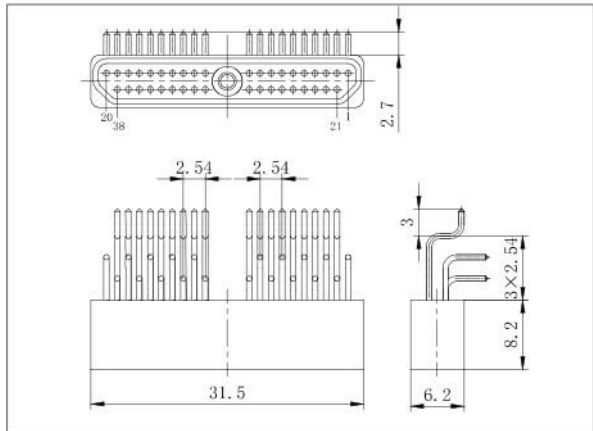


J30-38TJN

Product stereogram



Product stereogram



J30-38ZKN

J30 series micro rectangular electrical connector

J30 Accessories

- J30 accessories are available in a variety of forms to meet the installation and locking of the product, and users can order separately according to their needs.
- J30 accessories are divided into two types according to different uses: locking components and mounting components.
- The locking assembly is generally used when the product butt needs to be reliably locked, and it is usually installed on the free end of the sling connector and can be used in the basic crimping series.
- The mounting assembly is used to secure the product to the mounting panel or printed board, and is usually installed on the fixed end of the sling connector and in the printed board mounting series.
- Ln6.480.025 Locking screw assembly

Product stereogram

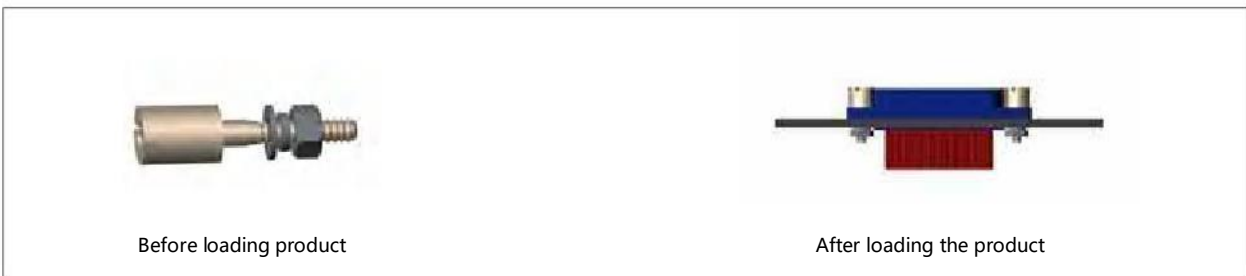


Ln6.480.025 Lock screw assembly is used

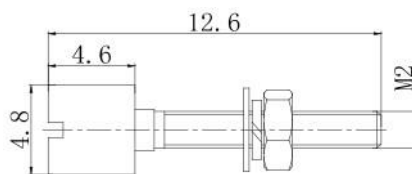
Order mark	Main characteristics of screw assembly	Match with a couple
Ln6. 480. 025	The locking screw assembly is all composed of standard parts (screw specification M2×6)	Ln6. 480. 003 Ln6. 480. 028

- Ln6.480.003 Install screw components

Product stereogram



Product dimensions



- Ln6.480.003 Installation screw assembly Used


Order mark	Main characteristics of screw assembly	Match with a couple
Ln6. 480. 003	This is suitable for pre-board mounting products	Ln6. 480. 025

J30 series micro rectangular electrical connector


J30 Accessories

■ Ln6.480.028 Install screw components

Product stereogram

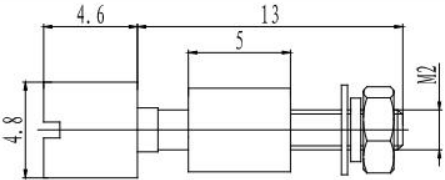


Before loading product



After loading the product

Product dimensions drawing




■ Ln6.480.028 Installation screw assembly Used


Order mark	Main characteristics of screw assembly	Match with a couple
Ln6. 480. 028	Suitable for in-line printed board installation products, board thickness is not more than 2.5 mm.	Ln6. 480. 025

■ Ln6.150.025 and Ln6.150.026 Install the support locking assembly

Product stereogram

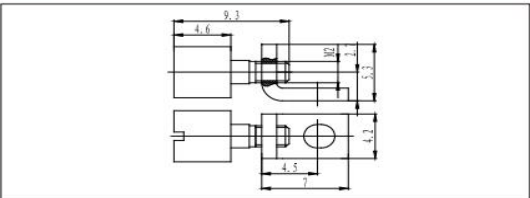


Before loading product



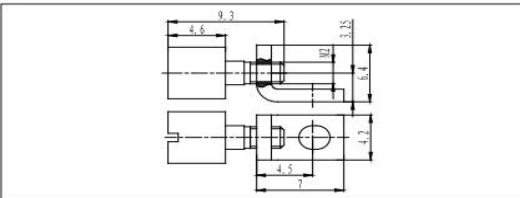
After loading the product

Product dimensions drawing



Ln6. 150. 025

Product dimensions drawing



Ln6. 150. 026

Ln6.150.025, Ln6.150.026 Mounting support locking components

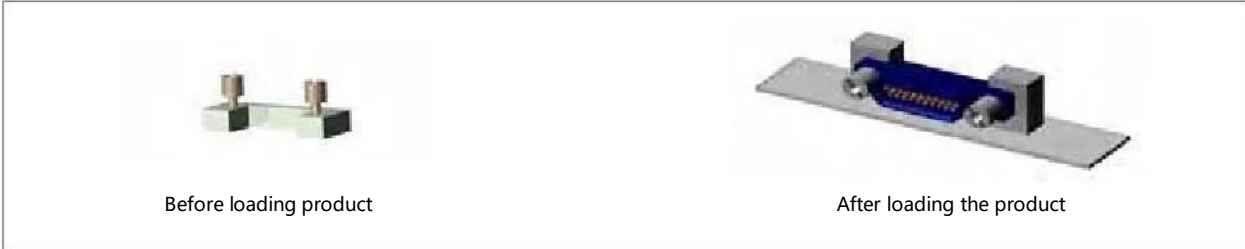
Order mark	Scope of application	Match with a couple
Ln6. 150. 025	J30-9、15、21、25、31、37TJW/TJW-J/ZKW/ZKW-J	Ln6. 480. 025
Ln6. 150. 026	J30-51TJW/TJW-J/ZKW/ZKW-J	Ln6. 480. 025

J30 series micro rectangular electrical connector

J30 Accessories

■ Ln6.150.018 and Ln6.150.019 Fixed support locking components

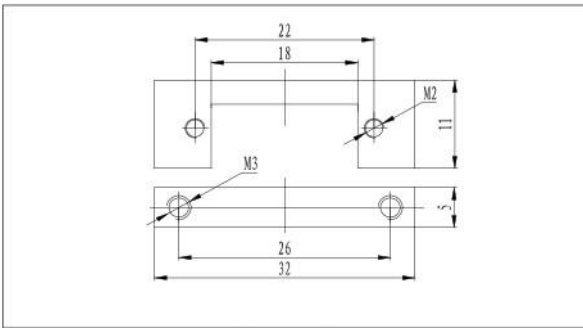
Product stereogram



Before loading product

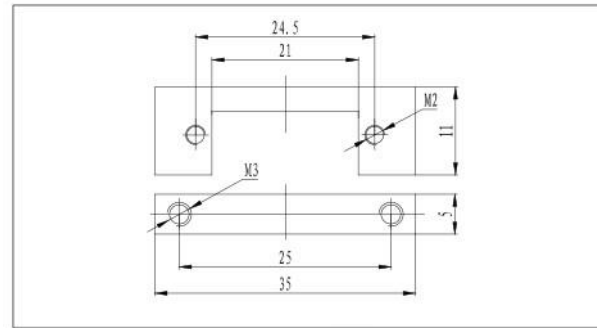
After loading the product

Product dimensions drawing



Ln6.150.018

Product dimensions drawing



Ln6.150.019

Special note:

Ln6.480.025 locking screw assembly has been included in the above fixed mounting bracket locking assembly, but it is not shown in the figure; In addition, Ln8.919.012 mounting screws have been included in these fixing bracket locking assemblies, but are not indicated in the dimensions drawing

Ln6.150.018, Ln6.150.019 Fixed support locking assembly

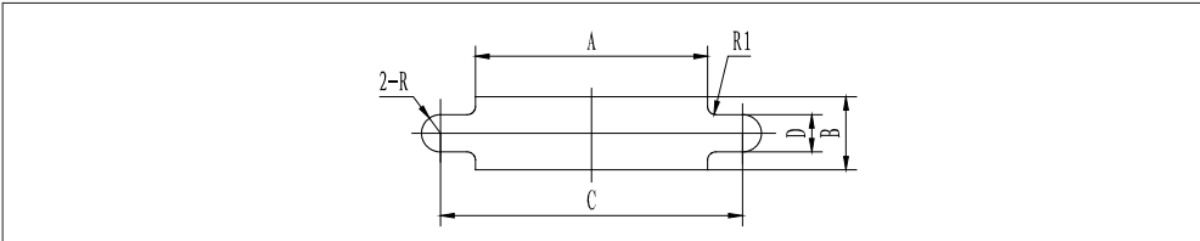
Order mark	Scope of application
Ln6.150.018	J30-21TJ/ZK
Ln6.150.019	J30-25TJ/ZK

J30 series micro rectangular electrical connector

J30 series product mounting hole size

J30 Crimping series plate front mounting plate opening dimensions

Crimp series plate front mounting plate opening dimensions

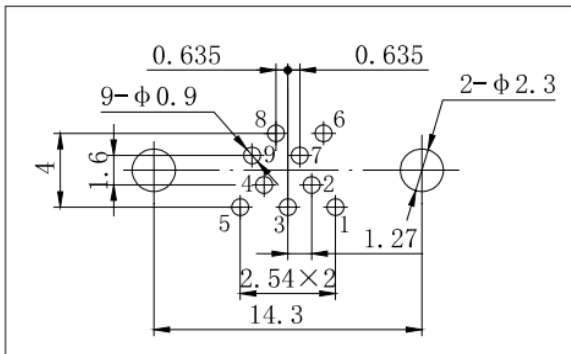


spectrum	A	B	C	D
9-core	10.1	4.6	14.3	2.3
15-core	14.2	4.6	18.2	2.3
21-core	17.9	4.6	22	2.3
25-core	20.8	4.6	24.5	2.3
31-core	24.2	4.6	28.3	2.3
37-core	28.2	4.6	32.2	2.3
51-core	26.9	5.9	30.8	2.3

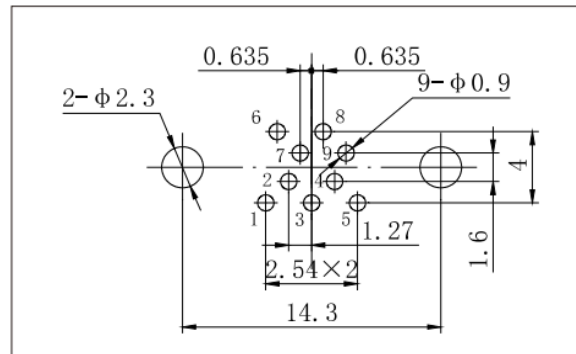
J30 series products printed board opening size

J30—□ TJN/ □ ZKN

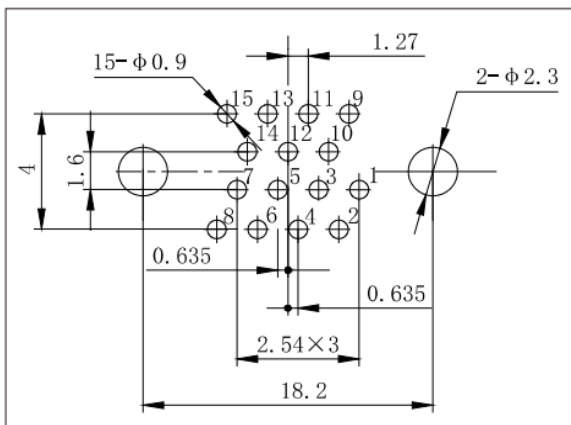
■ J30-9TJN



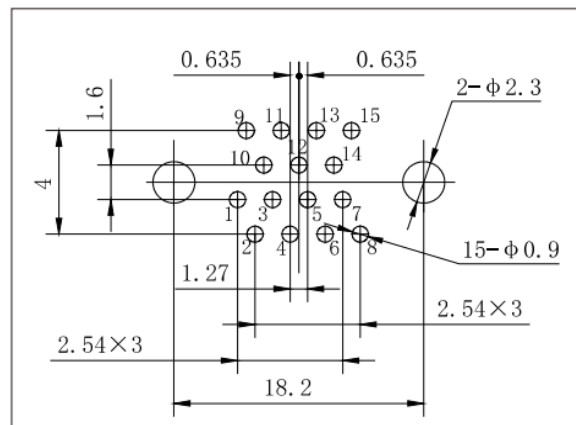
■ J30-9ZKN



■ J30-15TJN



■ J30-15ZKN

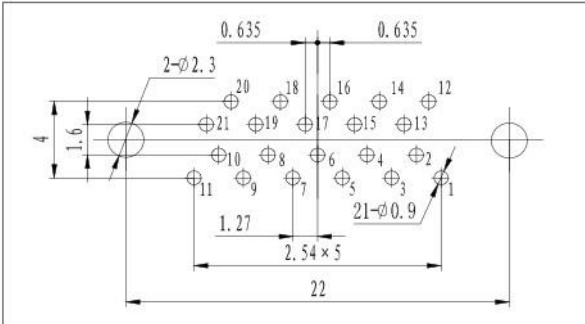


J30 series micro rectangular electrical connector

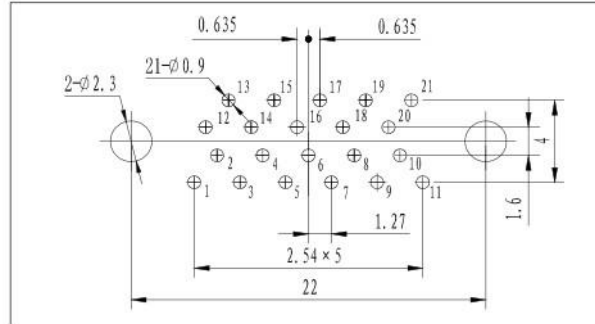
J30 series products printed board opening size

J30—□ TJN/ □ ZKN

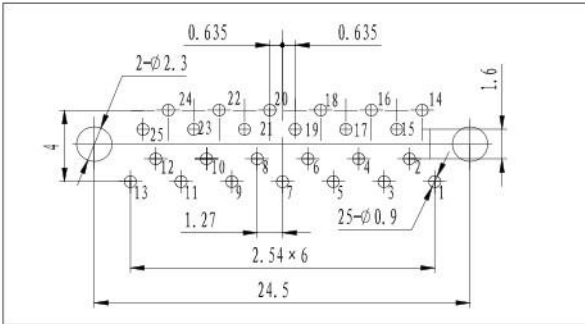
■ J30-21TJN



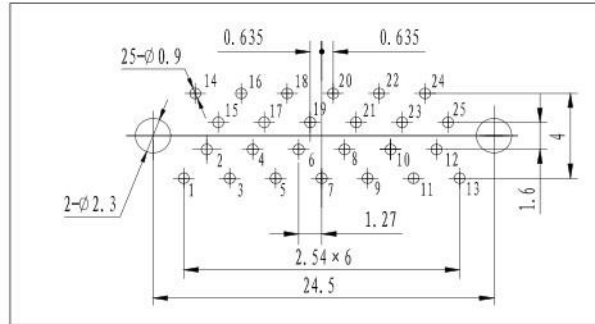
■ J30-21ZKN



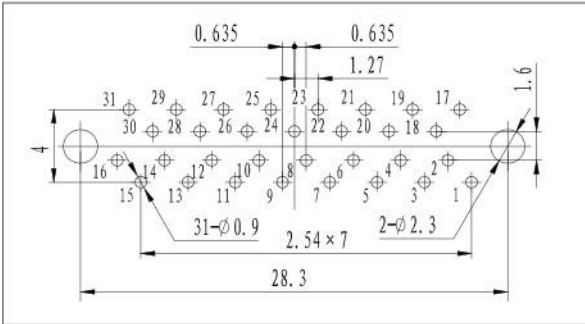
■ J30-25TJN



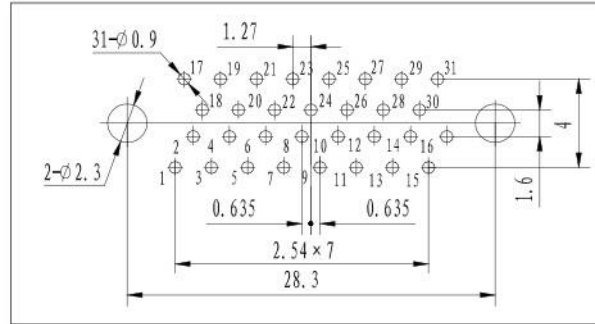
■ J30-25ZKN



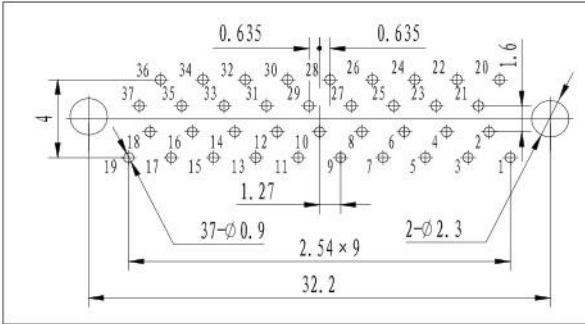
■ J30-31TJN



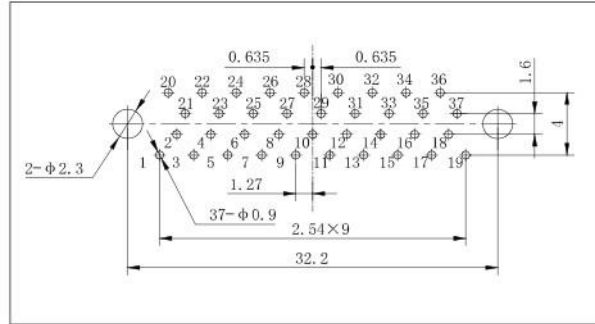
■ J30-31ZKN



■ J30-37TJN



■ J30-37ZKN

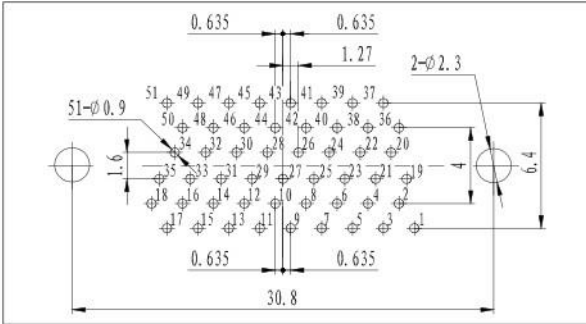


J30 series micro rectangular electrical connector

J30 series products printed board opening size

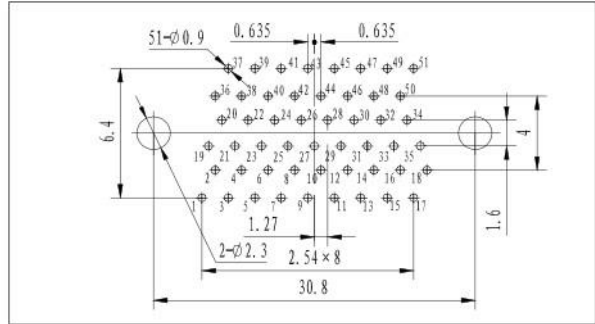
J30—□ TJN/ □ ZKN

■ J30-51TJN

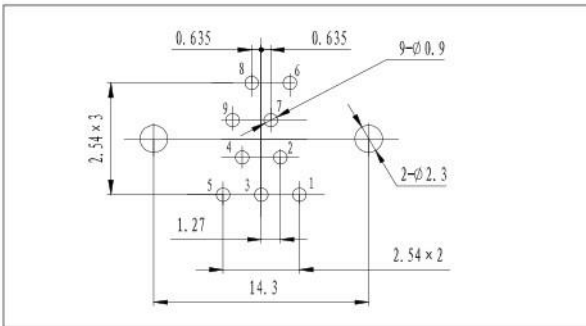


J30-xTJN1/x ZKN1 (Grid spacing 2.54×2.54)

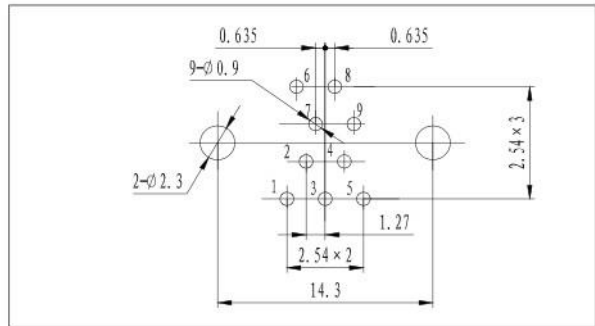
■ J30-51ZKN



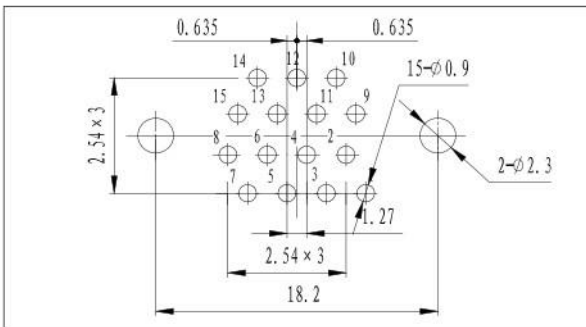
■ J30-9TJN1



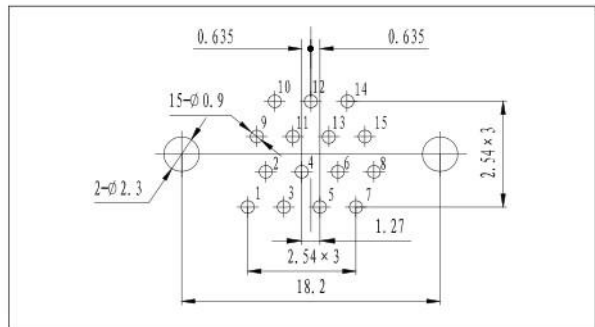
■ J30-9ZKN1



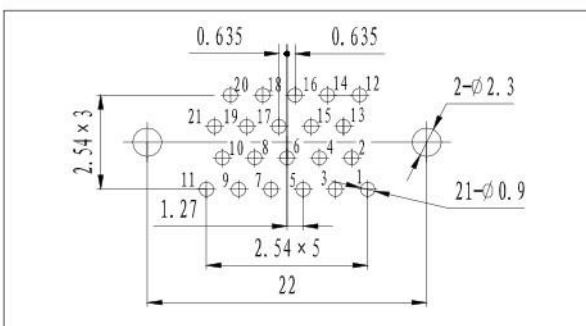
■ J30-15TJN1



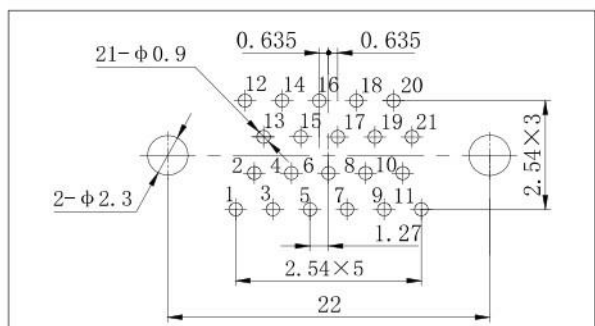
■ J30-15ZKN1



■ J30-21TJN1



■ J30-21ZKN1

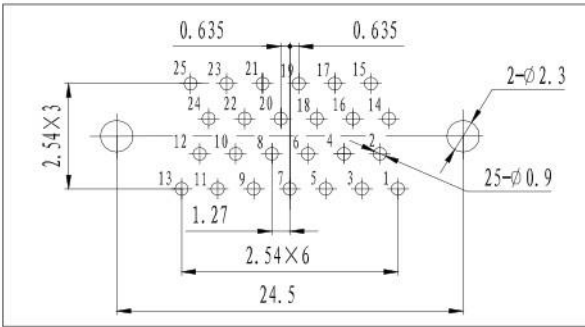


J30 series micro rectangular electrical connector

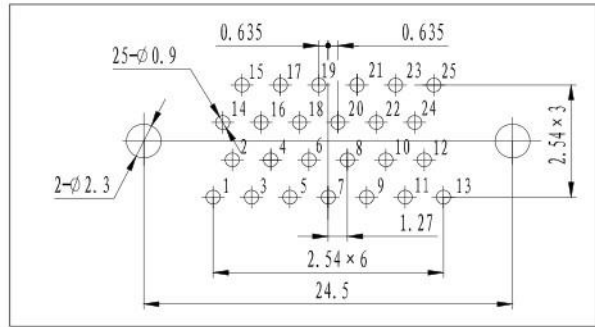
J30 series products printed board opening size

J30-□TJN1/□ZKN1(Grid spacing 2.54 × 2.54)

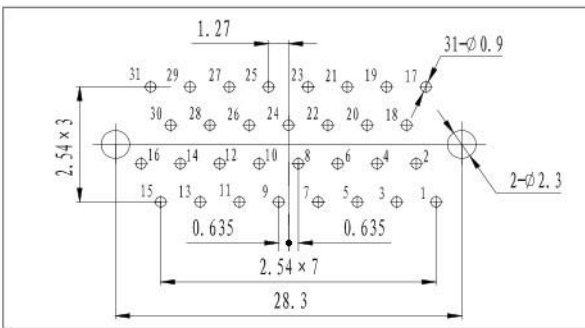
■ J30-25TJN1



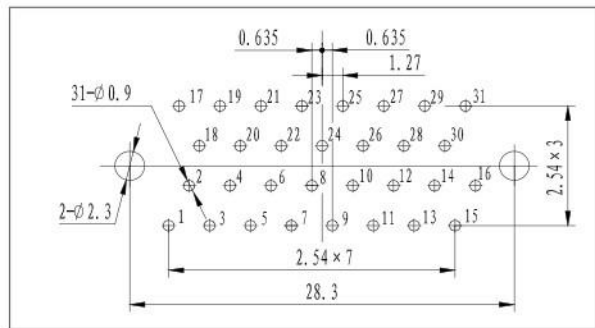
■ J30-25ZKN1



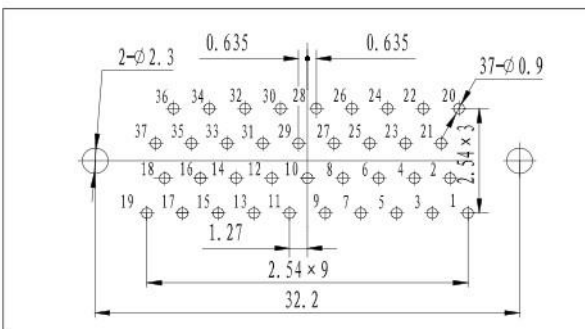
■ J30-31TJN1



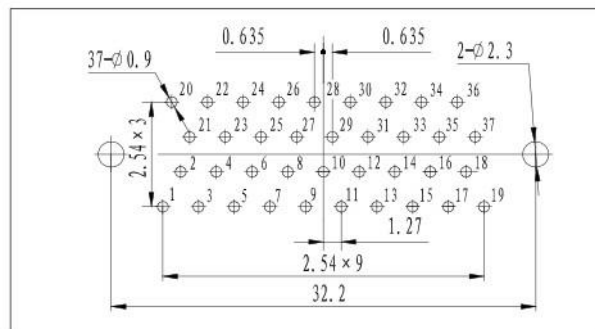
■ J30-31ZKN1



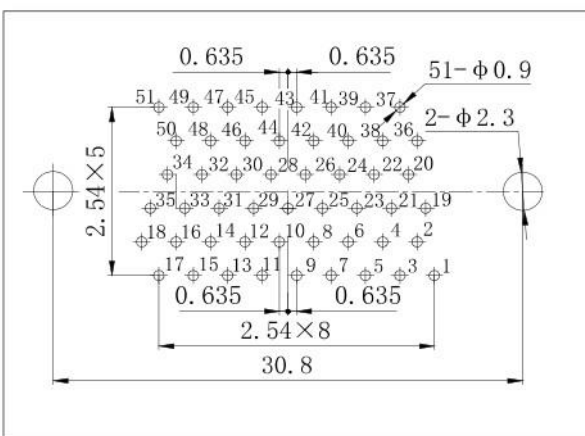
■ J30-37TJN1



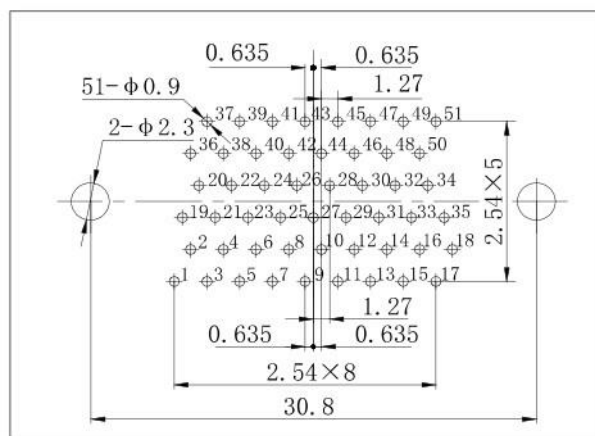
■ J30-37ZKN1



■ J30-51TJN1



■ J30-51ZKN1

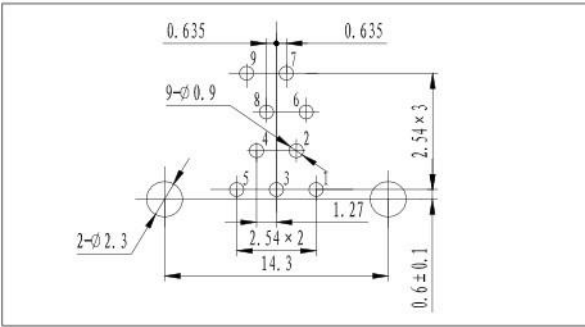


J30 series micro rectangular electrical connector

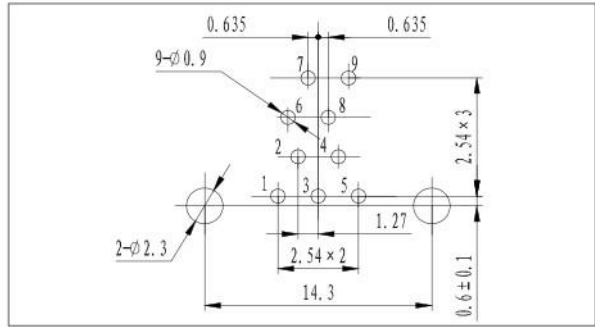
J30 series products printed board opening size

J30-□TJW/□ZKW(Grid spacing 2.54 × 2.54)

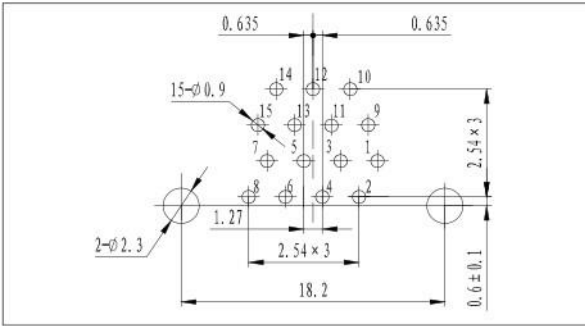
■ J30-9TJW



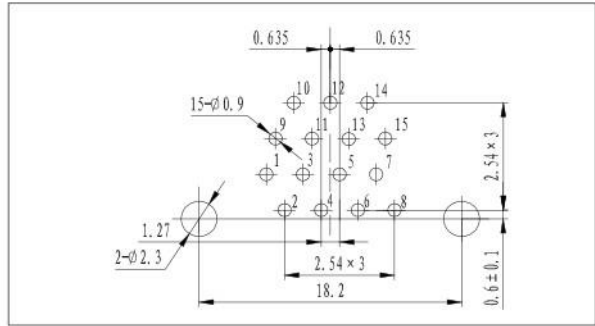
■ J30-9ZKW



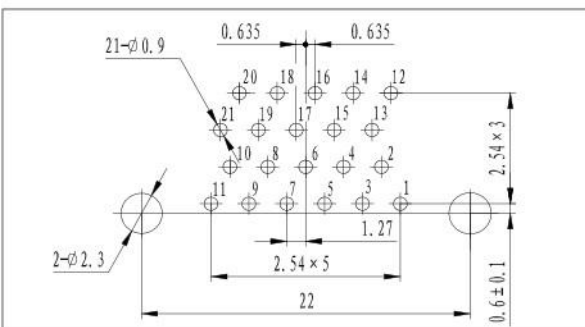
■ J30-15TJW



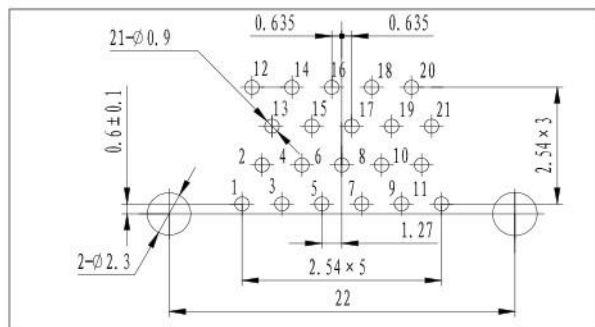
■ J30-15ZKW



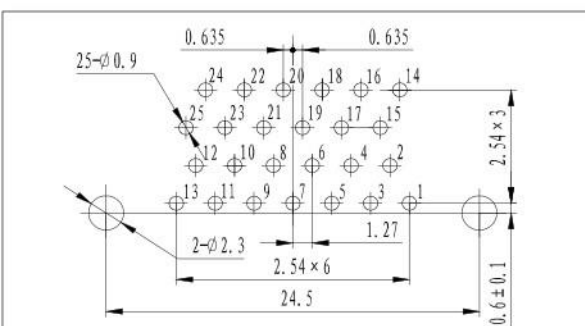
■ J30-21TJW



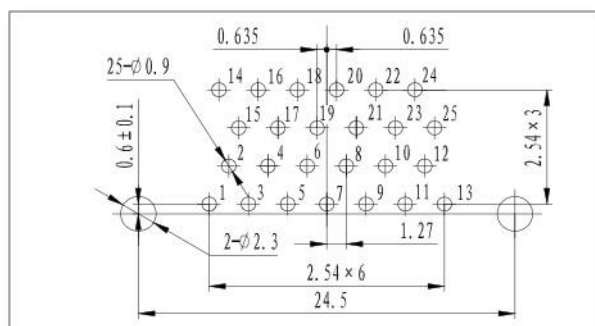
■ J30-21ZKW



■ J30-25TJW



■ J30-25ZKW

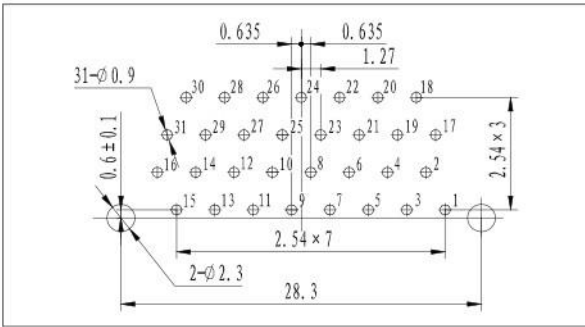


J30 series micro rectangular electrical connector

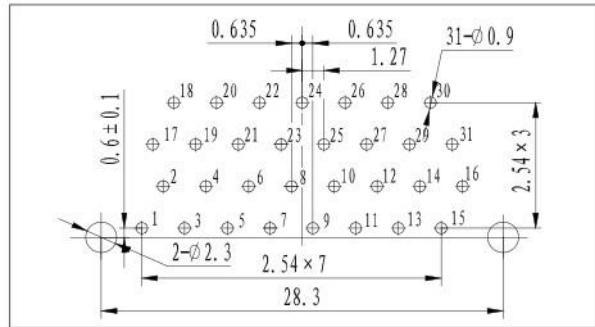
J30 series products printed board opening size

J30-□TJW/□ZKW(Grid spacing 2.54 × 2.54)

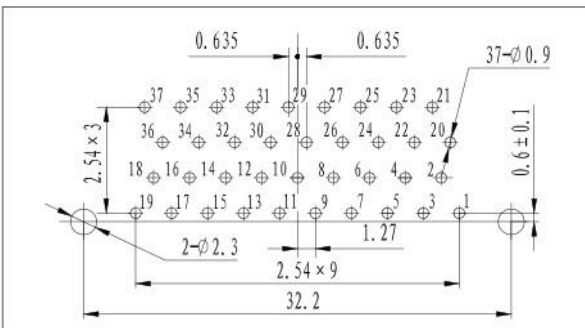
■ J30-31TJW



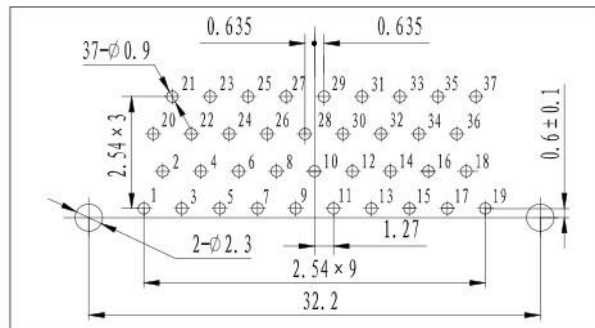
■ J30-31ZKW



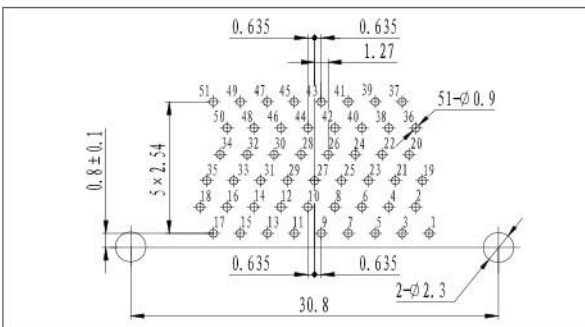
■ J30-37TJW



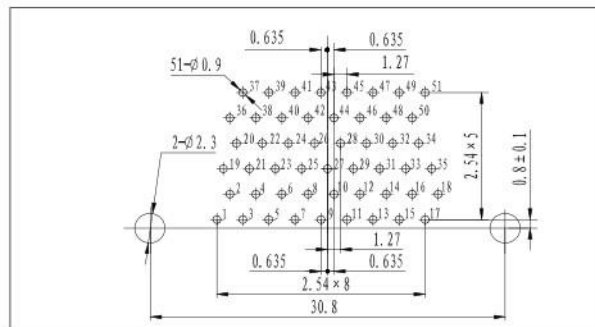
■ J30-37ZKW



■ J30-51TJW



■ J30-51ZKW

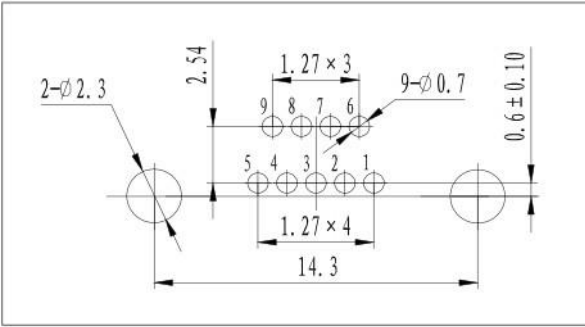


J30 series micro rectangular electrical connector

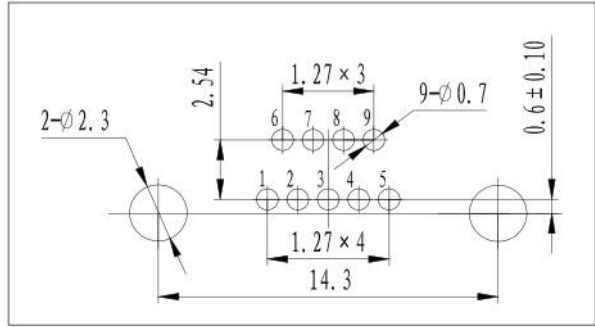
J30 series products printed board opening size

J30-□TJW-J/□ZKW-J(Grid spacing 1.27 × 2.54)

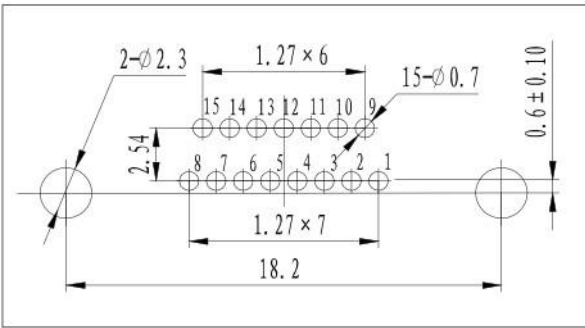
■ J30-9TJW-J



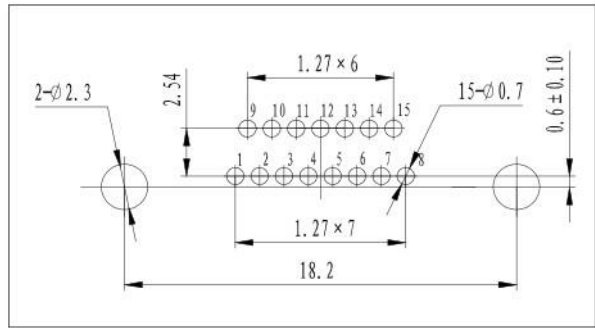
■ J30-9ZKW-J



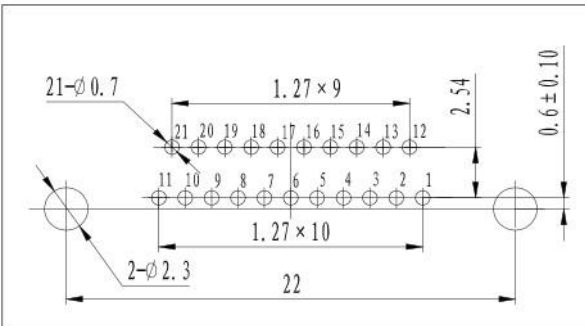
■ J30-15TJW-J



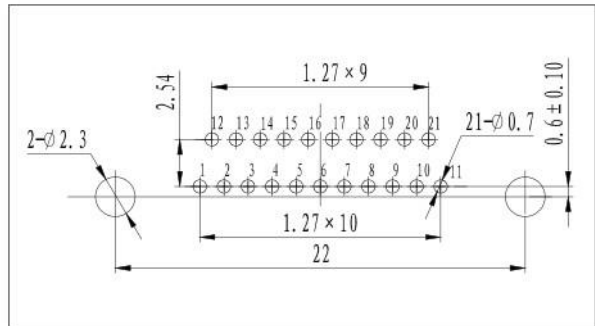
■ J30-15ZKW-J



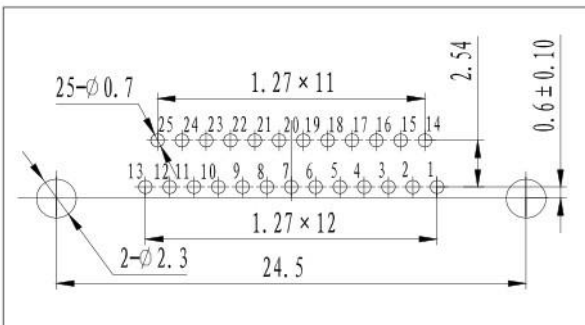
■ J30-21TJW-J



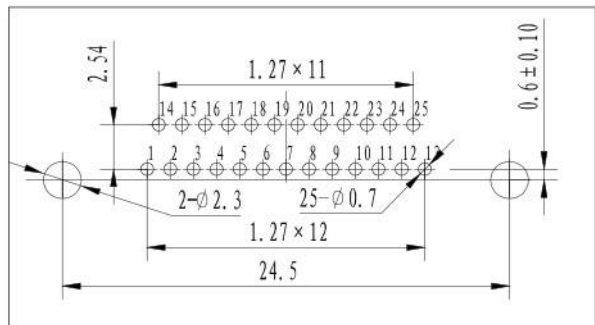
■ J30-21ZKW-J



■ J30-25TJW-J



■ J30-25ZKW-J

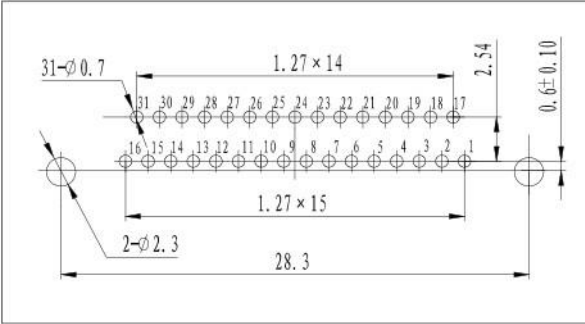


J30 series micro rectangular electrical connector

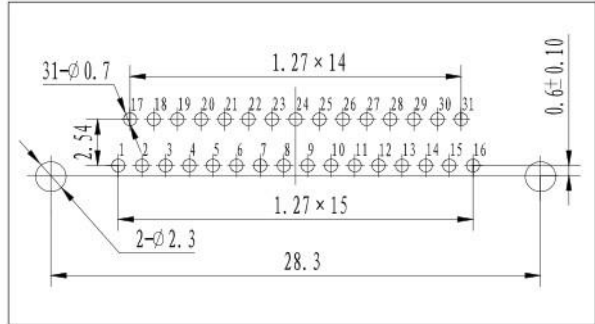
J30 series products printed board opening size

J30-□TJW-J/□ZKW-J(Grid spacing 1.27 × 2.54)

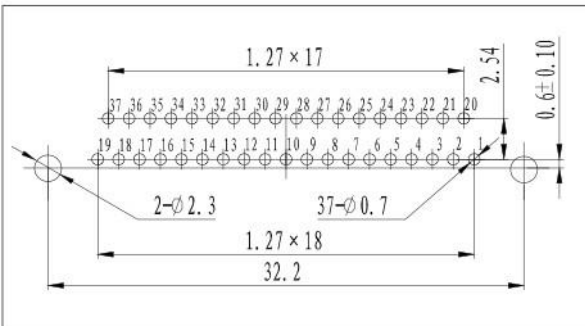
■ J30-31TJW-J



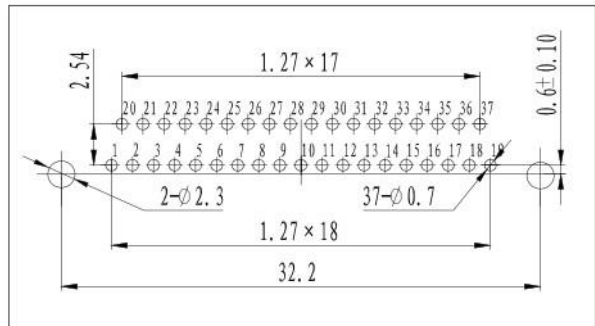
■ J30-31ZKW-J



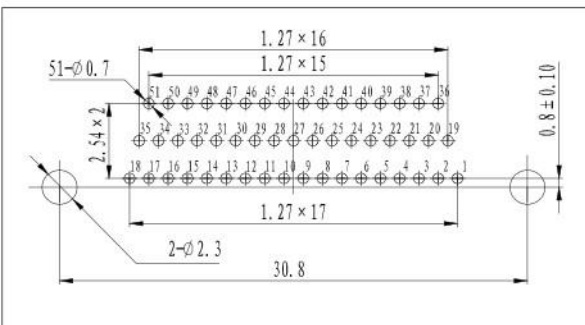
■ J30-37TJW-J



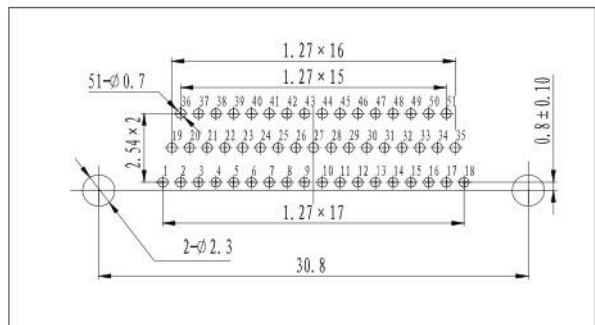
■ J30-37ZKW-J



■ J30-51TJW-J



■ J30-51ZKW-J



J30V2 series miniature rectangular electrical connector

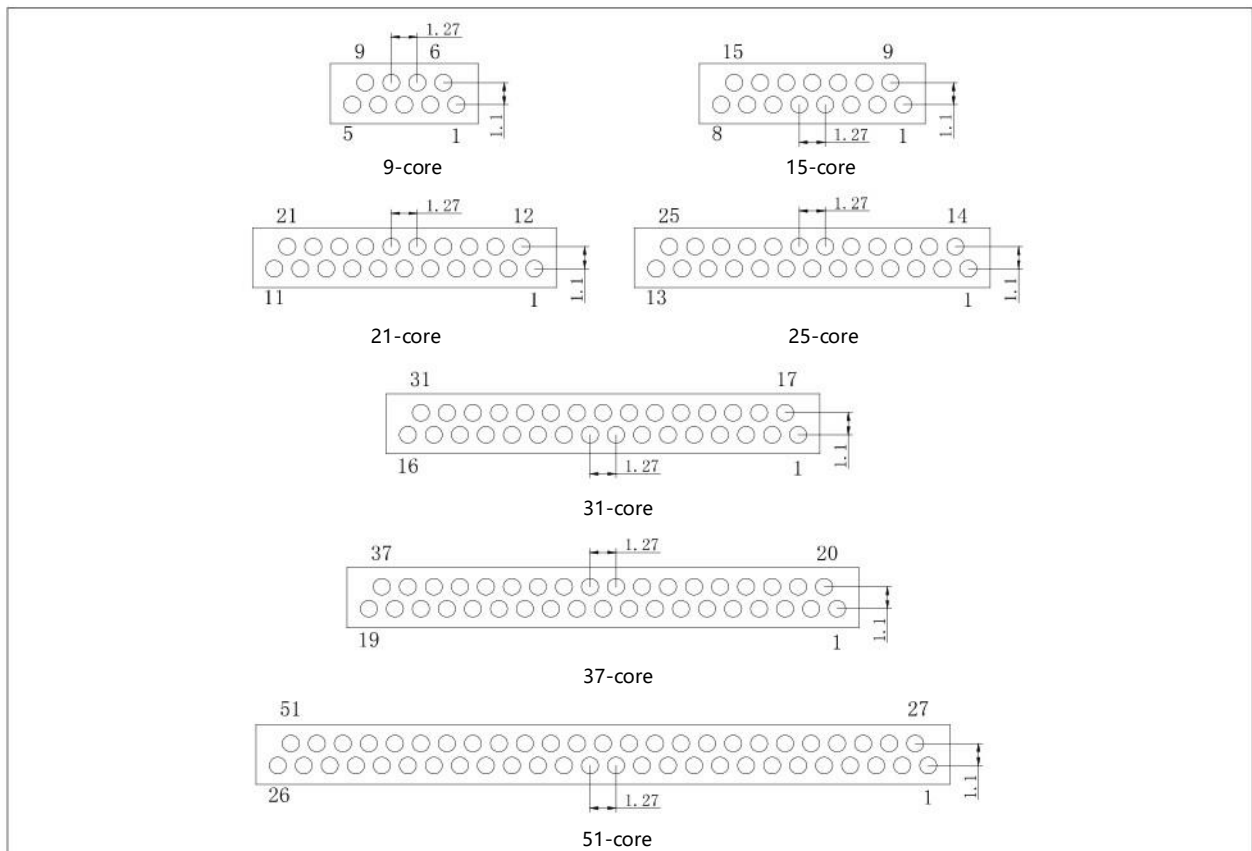
Brief introduction of characteristics

- Core number: 9, 15, 21, 25, 31, 37, 51 core seven specifications
- The stranding elastic needle (commonly known as twist needle) is used, the spacing is 1.27mm, and the outline size is small The base material is PPS, which has good environmental resistance
- Conductor core cross-sectional area $0.1\text{mm}^2 \sim 0.15\text{mm}^2$
- The locking components of this series are fixed

Technical characteristics

- Ambient temperature: $-55\text{ }^\circ\text{C} \sim +125\text{ }^\circ\text{C}$
- oscillate: 10HZ~2000HZ
- Random vibration: Power spectral density 0.4G2/Hz total speed root mean square value of 23.1G
- Impact: $735\text{M/S}^2 \sim 11\text{MS}$
- Rated current: 3A
- Contact resistance: ≤ 10
- Insulation resistance: $\geq 5000\text{m } \Omega$
- Medium voltage: 800V
- Mechanical life: 500 cycles

Spectral arrangement



Note: View from plug butt end

J30V2 series miniature rectangular electrical connector

Order mark

J30V2 - × TJ/ZK × - ×
 ② ③ ④ ⑤

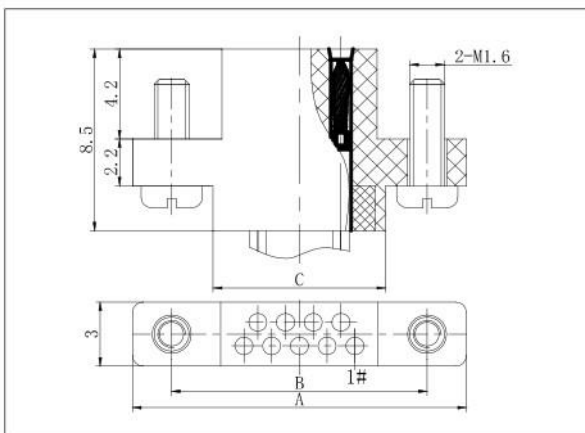
- ① Principal name code: J30V2
- ② Number of contact parts: 9, 15, 21, 25, 31, 37, 51
- ③ Connector and contact type (for fixed match) : TJ - plug insert pin ZK - Socket with jack
- ④ Tail end form:
No letters - crimp N - In-line printed board W - curved insert printed board
- ⑤ Type of lock parts (lock parts can not be arbitrarily matched, lock parts selected base form is also fixed accordingly) : L1 - with M1.6 standard screw attachment
P1 - With vertical mounting screw attachment
P2 - With mounting bracket connecting nut attachment P3 -
Vertical mounting nut with support sleeve
P4 - Horizontal welding mounting attachment with mounting bracket
P6 - Vertical mounting screw with support sleeve (lengthened on P3 base) accessories P7 - with connecting nut attachment (not installed, only for locking function)

■ J30V2 crimping series

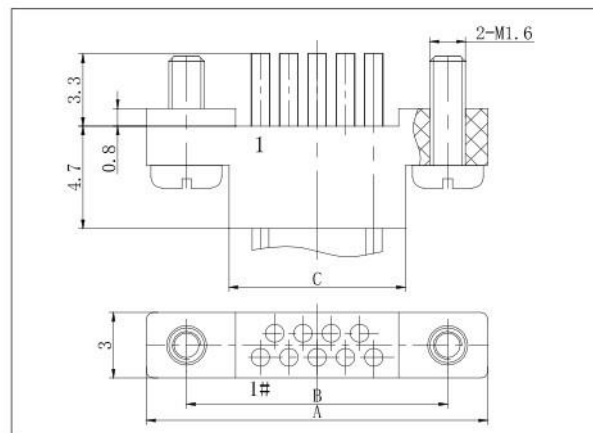
J30V2 - × TJ/ZK - ×
 ① ② ③ ④

- ① Principal name code: J30V2
- ② Number of contact parts: 9, 15, 21, 25, 31, 37, 51
- ③ Connector and contact type:
TJ a plug insert pin; ZK - Socket with jack
- ④ Lock type (lock type selected, base form fixed)
L1 - with M1.6 standard screw attachment
P1 - With vertical mounting screw attachment
P2 - With mounting bracket connecting nut attachment
P7 - Attachment with connecting nut (no installation, only locking function)

Product outline and mounting dimensions



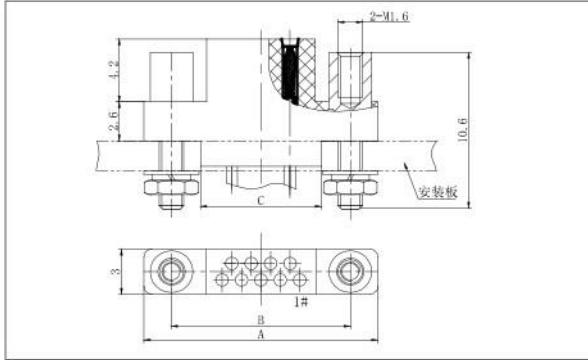
J30V2- x TJ-L1



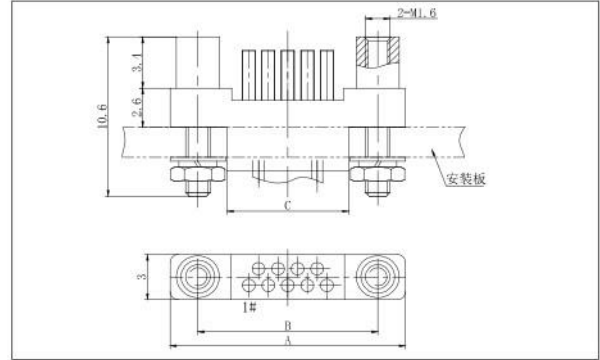
J30V2- x ZK-L1

J30V2 series miniature rectangular electrical connector

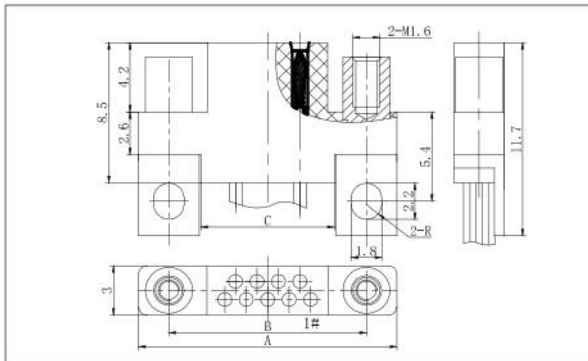
Product outline and mounting dimensions



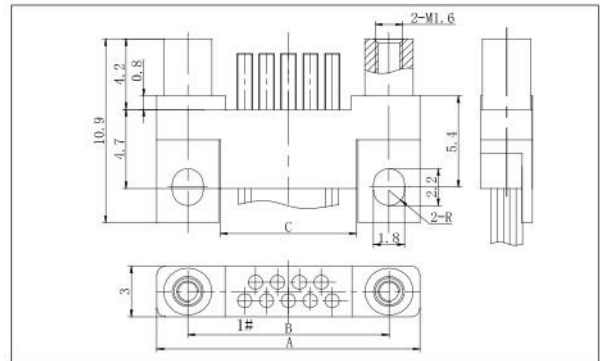
J30V2- x TJ-P1



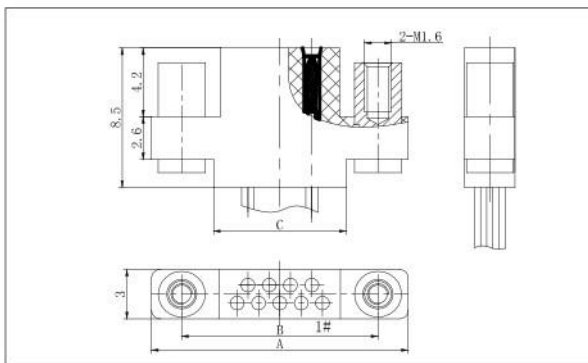
J30V2- x ZK-P1



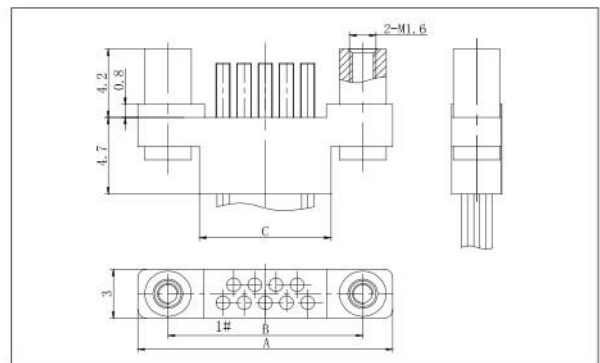
J30V2- x TJ-P2



J30V2- x ZK-P2



J30V2- x TJ-P7



J30V2- x ZK-P7

Number of cores	size			Number of cores	size			Number of cores	size		
	A	B	C		A	B	C		A	B	C
9-core	15.3	11.7	7.9	51-core	19.1	15.5	11.7	21-core	22.9	19.3	15.5
25-core	25.5	21.9	18.1	31-core	29.3	25.7	21.9	37-core	33.1	29.5	25.8
51-core	42	38.4	34.7								

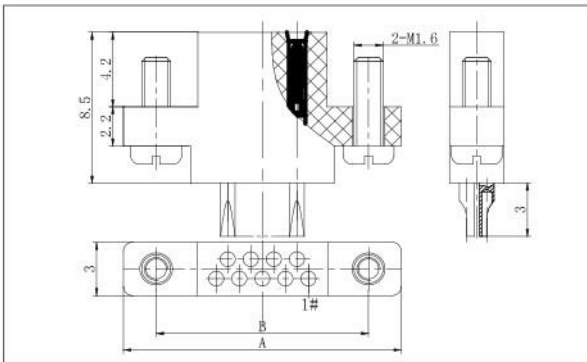
J30V2 series miniature rectangular electrical connector

■ J30V2 welding series

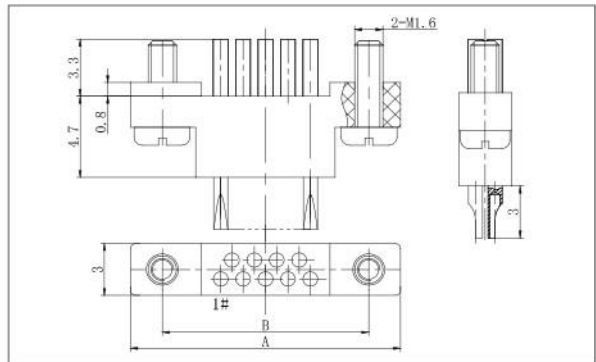
J30V2 - × TJ/ZK S - ×
 ① ② ③ ④ ⑤

- ① Main name Code: J30V2
- ② Number of contact parts: 9, 15, 21, 25, 31, 37, 51
- ③ Connector and contact type: TJ a plug insert pinZK - socket installation jack; Welding
- ④ series: S
- ⑤ Lock type (lock selection, base form fixed) :
 - L1 - with M1.6 standard screw attachment
 - P1 - With vertical mounting screw attachment
 - P2 - With mounting bracket connecting nut attachment
 - P7- Attachment with connecting nut (no installation, only locking function)

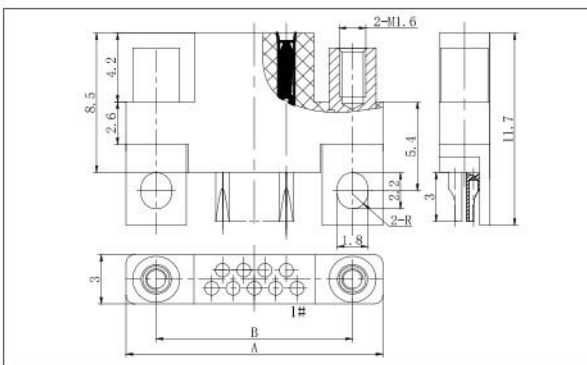
Product outline and mounting dimensions



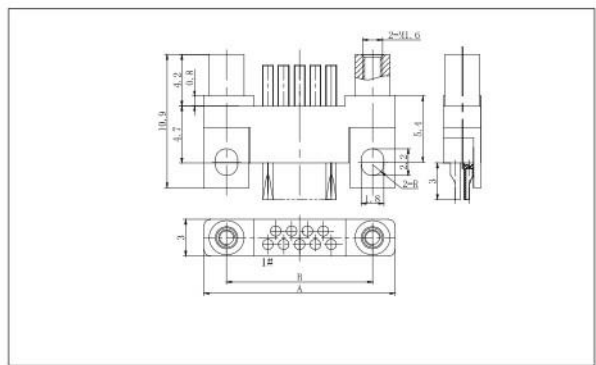
J30V2- x TJS-L1



J30V2- x ZKS-L1



J30V2- x TJS-P2



J30V2- x ZKS-P2

Number of cores	size		Number of cores	size		Number of cores	size	
	A	B		A	B		A	B
9-core	15.3	11.7	15-core	19.1	15.5	21-core	22.9	19.3
25-core	25.5	21.9	31-core	29.3	25.7	37-core	33.1	29.5
51-core	42	38.4						

J30V2 series miniature rectangular electrical connector

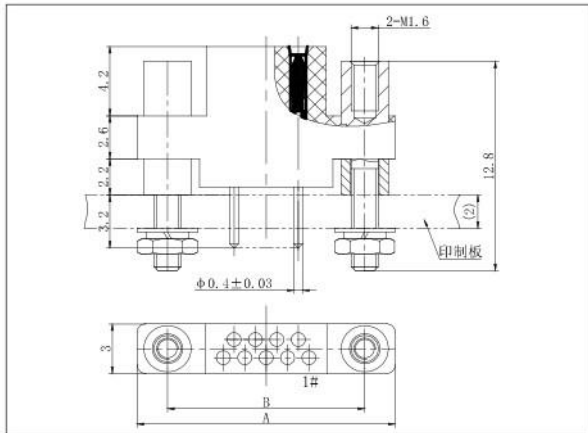
■ J30V2 in-line printed board series

J30V2 - × TJ/ZK N - ×
 ① ② ③ ④ ⑤

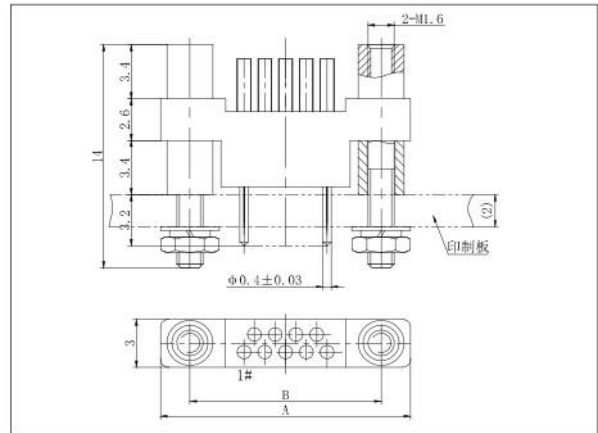
- ① Main name Code: J30V2
- ② Number of contact parts: 9, 15, 21, 25, 31, 37, 51
- ③ Connector and contact type: TJ -- plug insert pinZK - socket with jack In-line
- ④ printed board series :N
- ⑤ Lock type (lock selection, base form fixed) :

P3-- Vertical mounting screw attachment with support sleeve P6 - Vertical mounting screw with support sleeve (lengthened on P3 basis) accessory

Product outline and mounting dimensions



J30V2- × TJN-P3

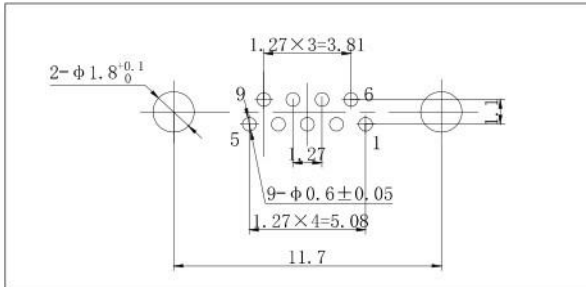


J30V2- × ZKN-P6

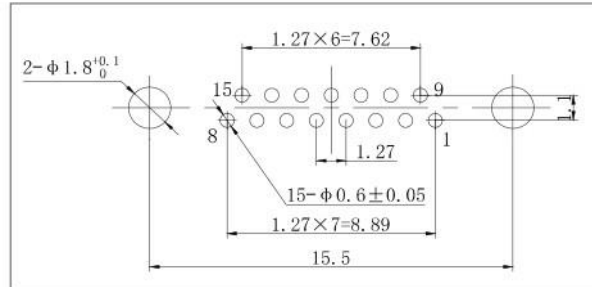
Number of cores	size		Number of cores	size		Number of cores	size	
	A	B		A	B		A	B
9-core	15.3	11.7	15-core	19.1	15.5	21-core	22.9	19.3
25-core	25.5	21.9	31-core	29.3	25.7	37-core	33.1	29.5
51-core	42	38.4						

J30V2 series miniature rectangular electrical connector

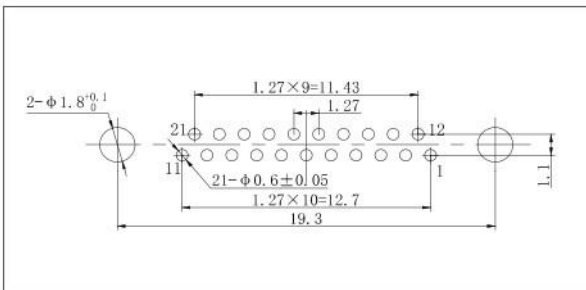
Printing board mounting holes (J30V2-x TDN-P3)



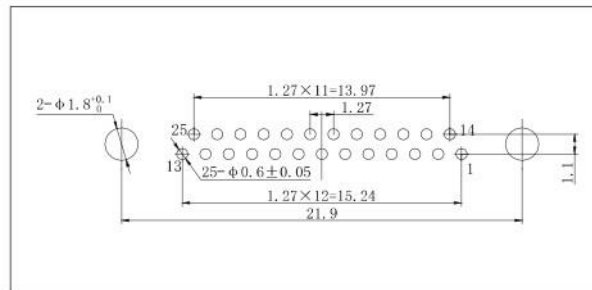
J30V2-9TJN-P3



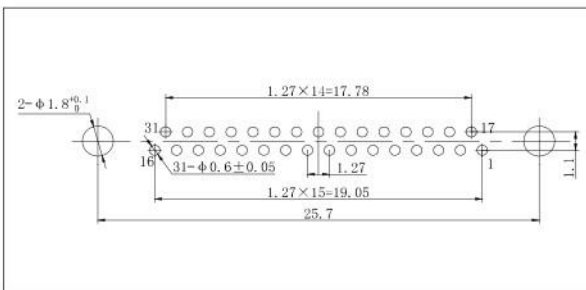
J30V2-15TJN-P3



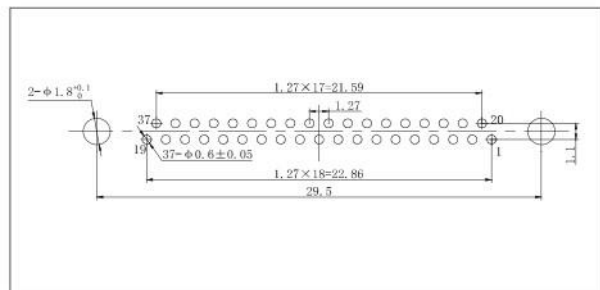
J30V2-21TJN-P3



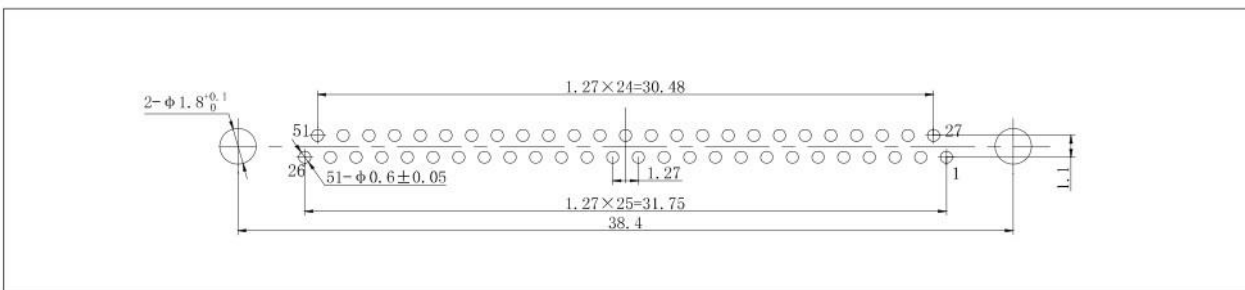
J30V2-25TJN-P3



J30V2-31TJN-P3



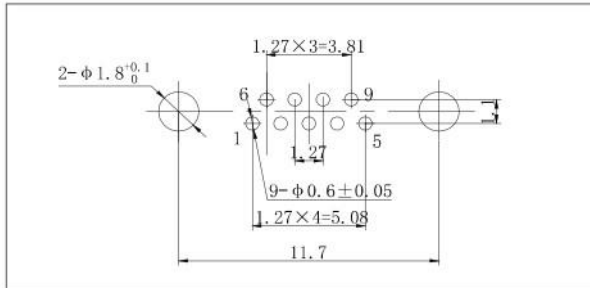
J30V2-37TJN-P3



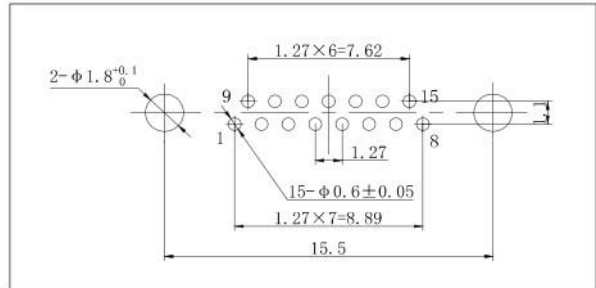
J30V2-51TJN-P3

J30V2 series miniature rectangular electrical connector

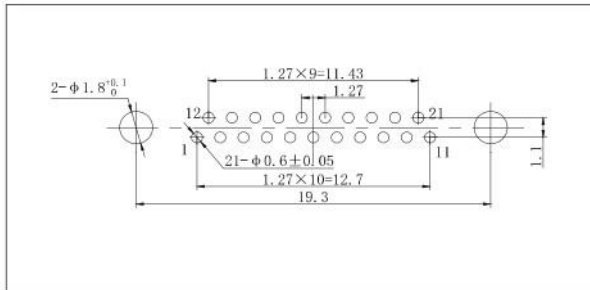
Mounting holes for in-line printed board (J30V2-x ZKN-P6)



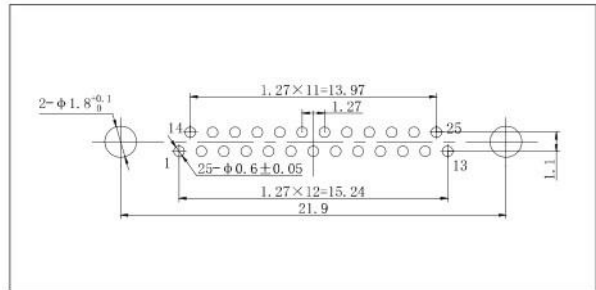
J30V2-9ZKN-P6



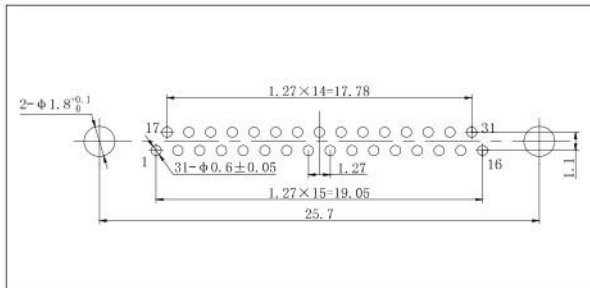
J30V2-15ZKN-P6



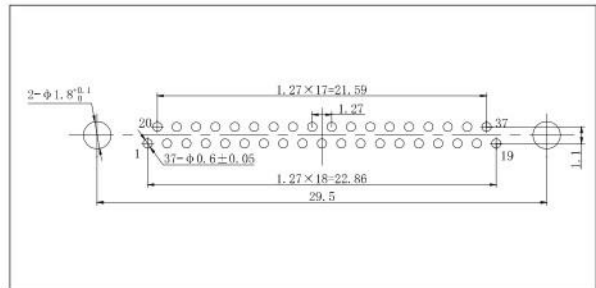
J30V2-21ZKN-P6



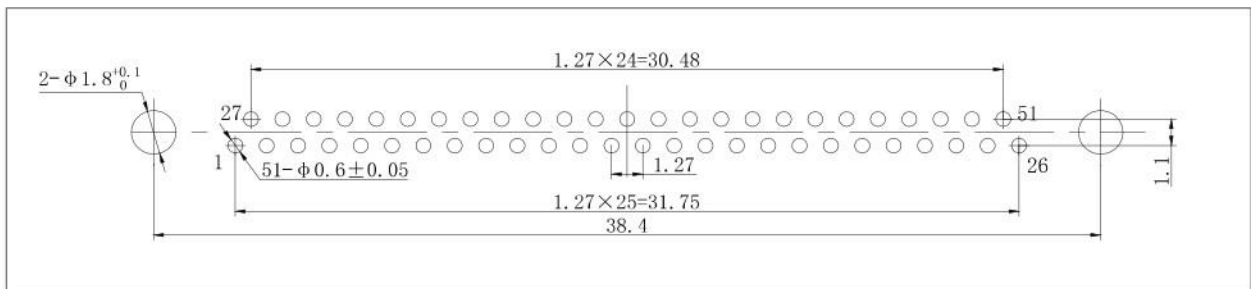
J30V2-25ZKN-P6



J30V2-31ZKN-P6



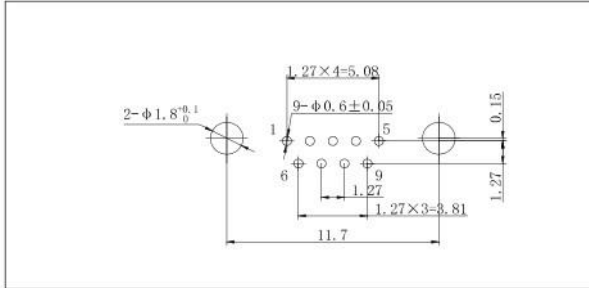
J30V2-37ZKN-P6



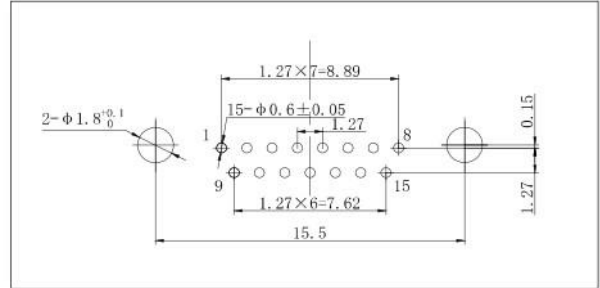
J30V2-51ZKN-P6

J30V2 series miniature rectangular electrical connector

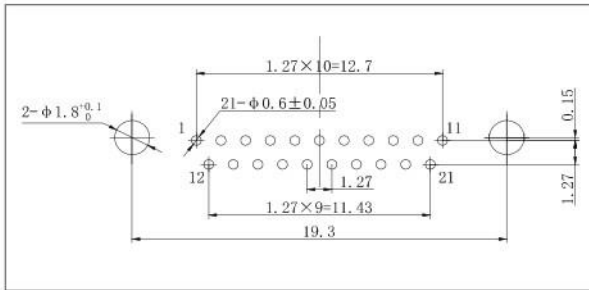
Bent-insert printed board mounting holes (J30V2-x TJW-P2)



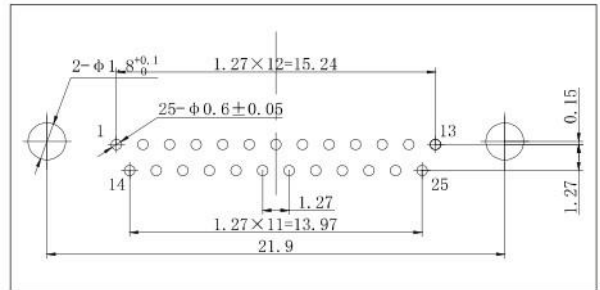
J30V2-9TJW-P2



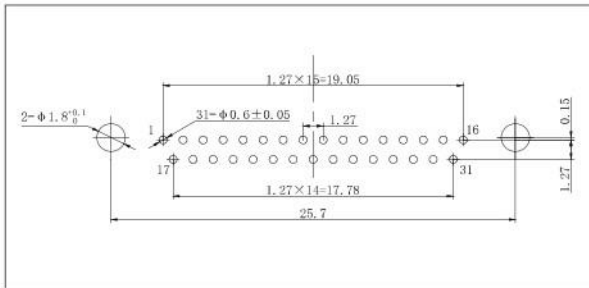
J30V2-15TJW-P2



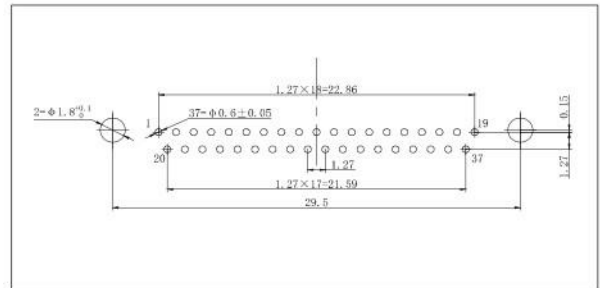
J30V2-21TJW-P2



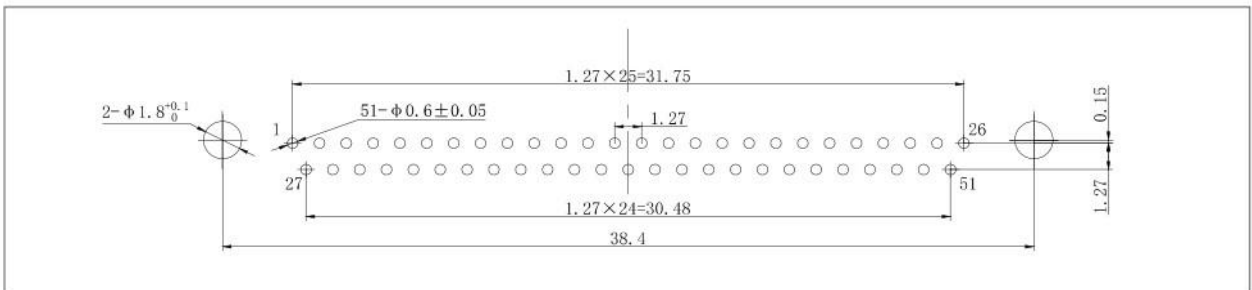
J30V2-25TJW-P2



J30V2-31TJW-P2



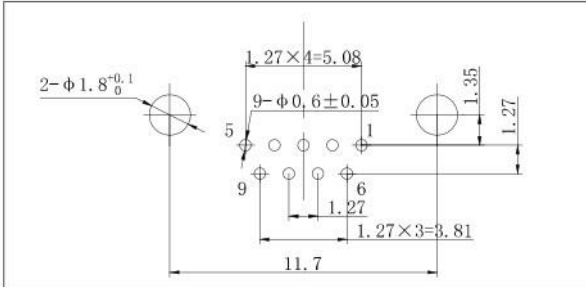
J30V2-37TJW-P2



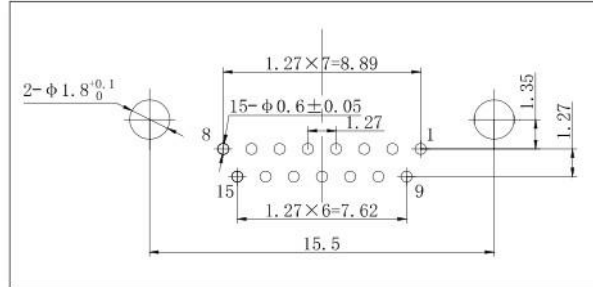
J30V2-51TJW-P2

J30V2 series miniature rectangular electrical connector

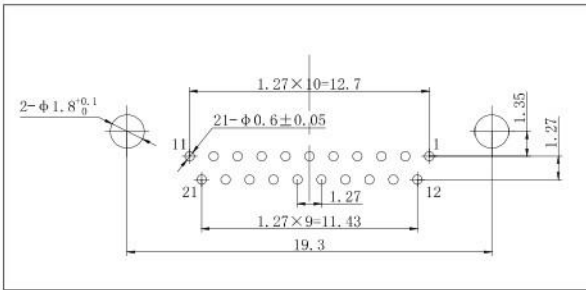
Mounting holes for bent insert printed board (J30V2-x ZKW-P2)



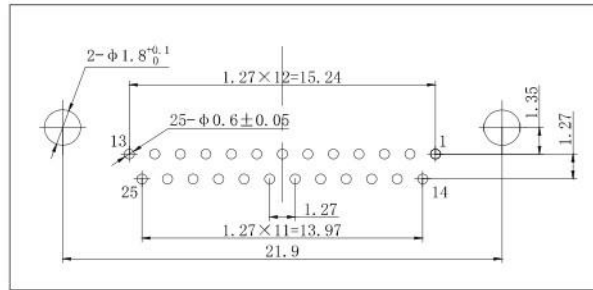
J30V2-9ZKW-P2



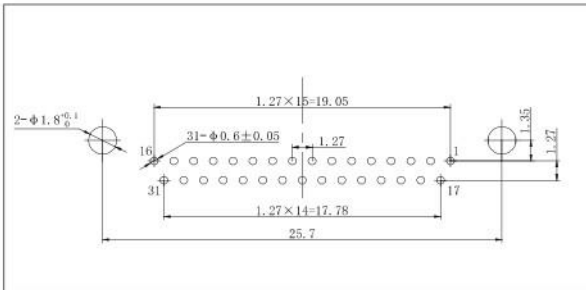
J30V2-15ZKW-P2



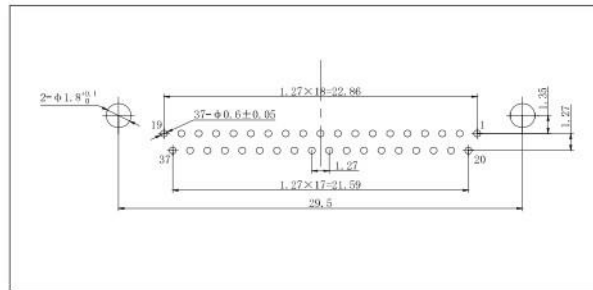
J30V2-21ZKW-P2



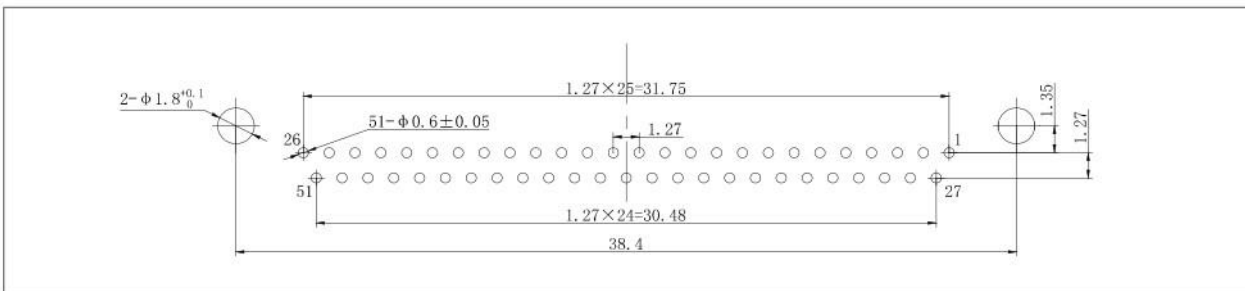
J30V2-25ZKW-P2



J30V2-31ZKW-P2



J30V2-37ZKW-P2



J30V2-51ZKW-P2

J30V2 series miniature rectangular electrical connector

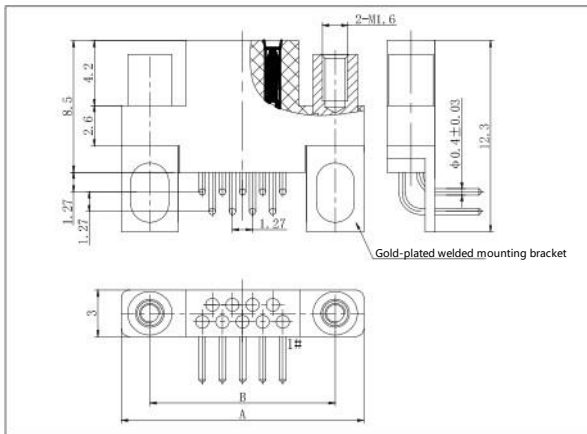
■ J30V2 bent-insert printed board welding installation series



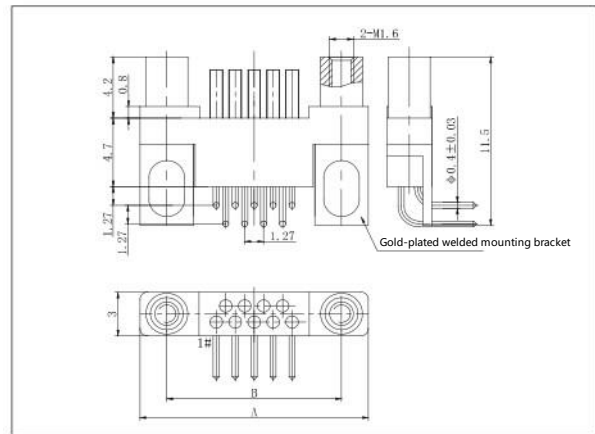
- ① Principal name code: J30V2
- ② Number of contact parts: 9, 15, 21, 25, 31, 37, 51
- ③ Connector and contact type: TJ a plug insert pin ZK - Socket with jack Bent
- ④ insert printed board: W
- ⑤ Lock type (lock selection, base form fixed) :

P4- Horizontal welding mounting accessories with mounting bracket

Product outline and mounting dimensions



J30V2-x-TJW-P4

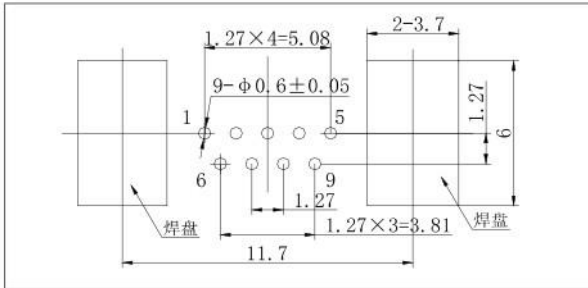


J30V2-x-ZKW-P4

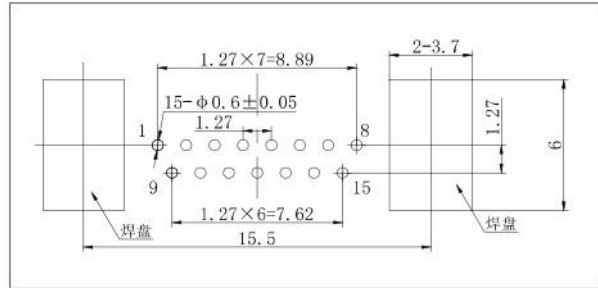
Number of cores	size		Number of cores	size		Number of cores	size	
	A	B		A	B		A	B
9-core	15.3	11.7	15-core	19.1	15.5	21-core	22.9	19.3
25-core	25.5	21.9	31-core	29.3	25.7	37-core	33.1	29.5
51-core	42	38.4						

J30V2 series miniature rectangular electrical connector

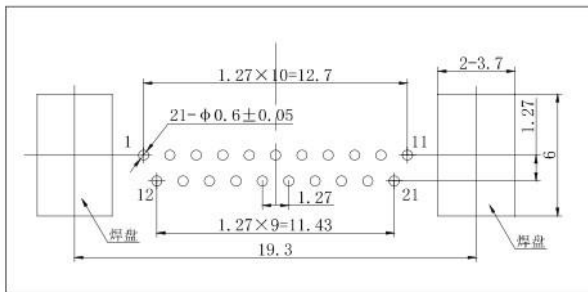
Bent-insert printed board welding installation opening (J30V2-x TJW-P4)



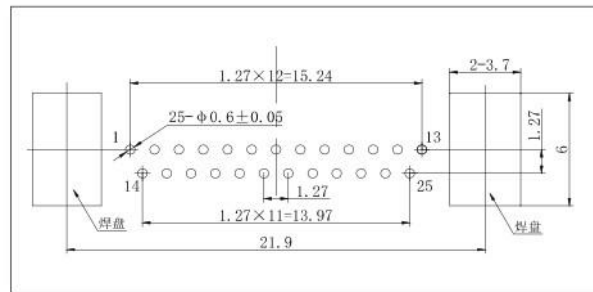
J30V2-9TJW-P4



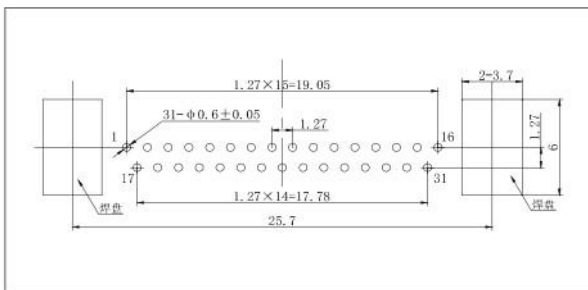
J30V2-15TJW-P4



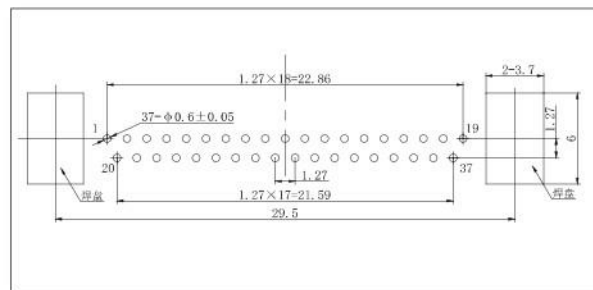
J30V2-21TJW-P4



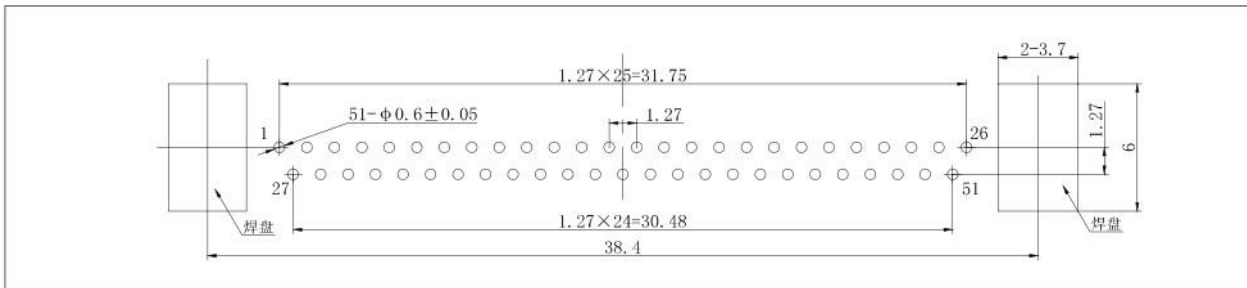
J30V2-25TJW-P4



J30V2-31TJW-P4



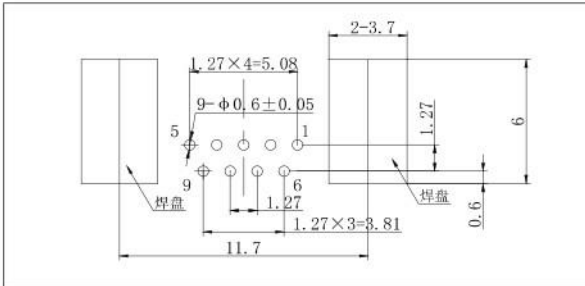
J30V2-37TJW-P4



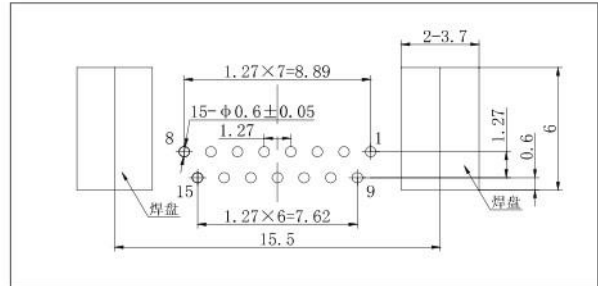
J30V2-51TJW-P4

J30V2 series miniature rectangular electrical connector

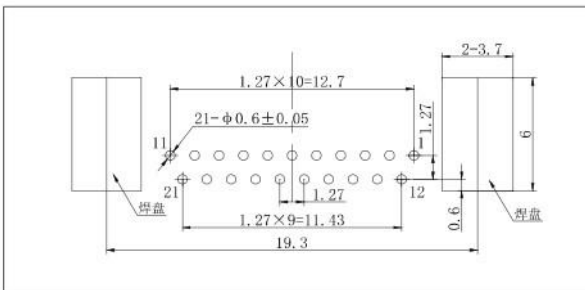
Bent-insert printed board welding installation opening (J30V2-x ZKW-P4)



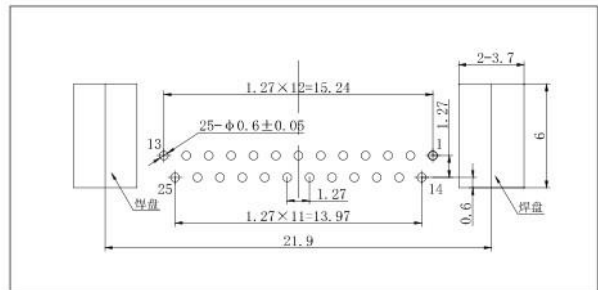
J30V2-9ZKW-P4



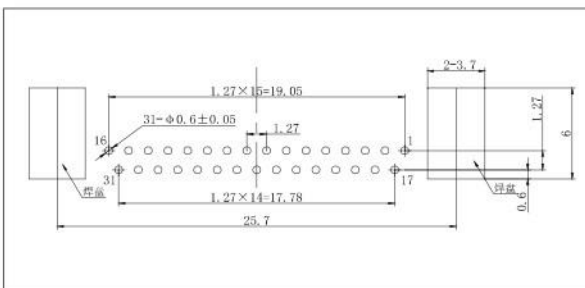
J30V2-15ZKW-P4



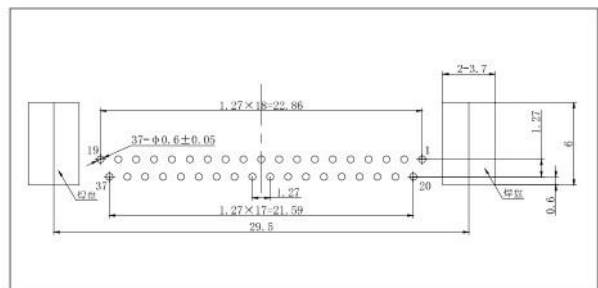
J30V2-21ZKW-P4



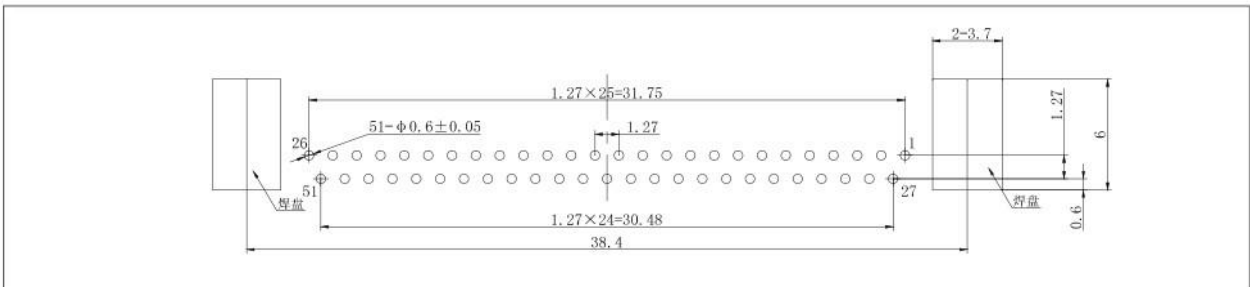
J30V2-25ZKW-P4



J30V2-31ZKW-P4



J30V2-37ZKW-P4



J30V2-51ZKW-P4

J29A series miniature rectangular electrical connectors

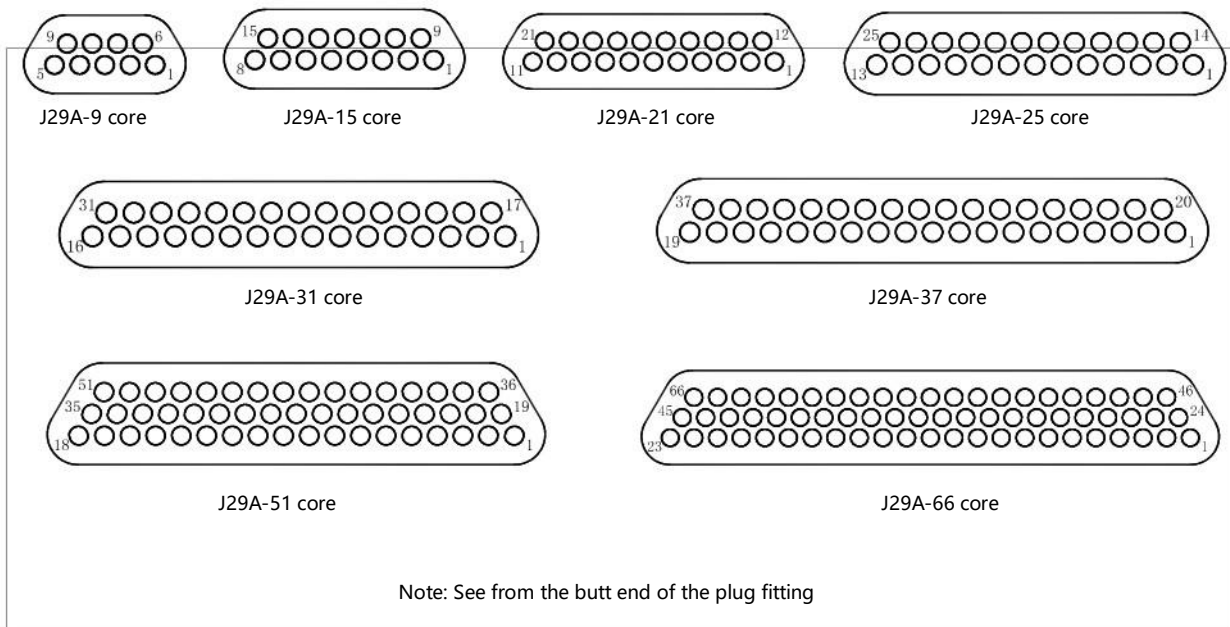
Brief introduction of characteristics

- Core number: There are 9, 15, 21, 25, 31, 37, 51, 66 core eight specifications
- The twisted elastic pins (twist pins) are used, the contact spacing is 1.91 mm, and the row spacing is 1.65mm Conductor
- core cross-sectional area: 0.15mm² to 0.3mm²
- Widely used in aerospace, aviation, electronic computers and other electronic equipment circuit connection

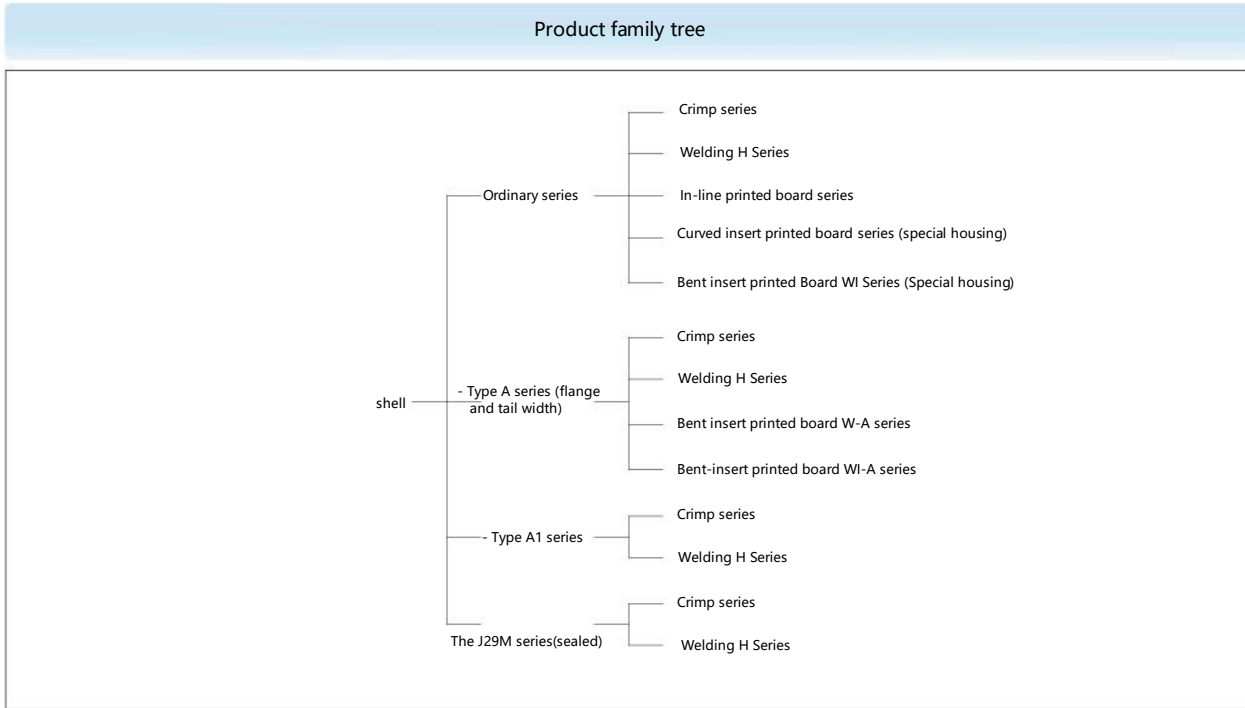
Technical characteristics

- Ambient temperature: -55 °C ~+125 °C
- oscillate: 10HZ~2000HZ
- Random vibration: Power spectral density 0.6G²/Hz total speed root-mean-square value 28.4G
- Impact: 1200M/S² 6MS
- Rated current: 5A
- Contact resistance: ≤10MΩ
- Insulation resistance: ≥ 5000M Ω
- Medium voltage: 1500V DC
- Mechanical life: 500 cycles
- Tightness index (only for J29M series products)
Water seal: pressure difference of one atmosphere, water detection no bubbles
Gas seal: 1x 10⁻¹ Pa.cm³/s (one atmospheric pressure difference)

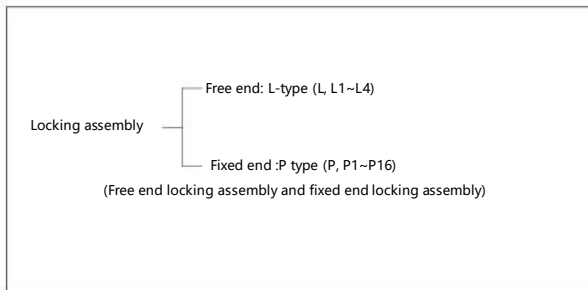
Spectral arrangement



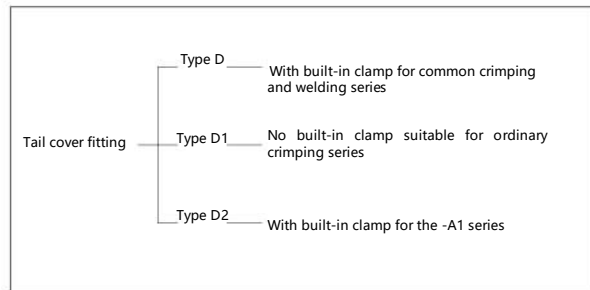
J29A series miniature rectangular electrical connectors



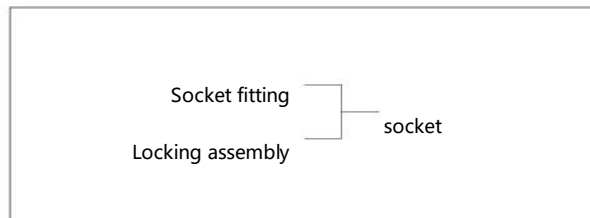
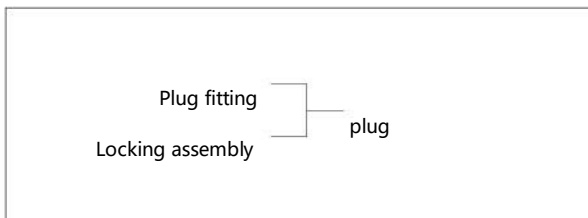
Locking assembly



Tail cover fitting



Instructions:



As shown above, when selecting the J29A series products, the user must select the plug (seat) fitting and the locking assembly at the same time to form a complete plug or socket. Tail cover fitting is not required, can be selected as required. The specific description of the selection is detailed in the subsequent relevant chapters.

J29A series miniature rectangular electrical connectors

Order mark

■ J29A series order mark

J29A × - × TJ/ZK × × - × × (Additional note)
 ① ② ③ ④ ⑤ ⑥ ⑦ ⑧

- ① Main name: J29A
- ② Series modification: Does not represent a basic type C a housing material of stainless steel Number
- ③ of contact parts: 9, 15, 21, 25, 31, 37, 51, 66
- ④ Connector and contact type: TJ- plug insert pin; ZK- socket installation jack; TJ and ZK are fixed collocation Contact
- ⑤ end form: no letter-crimped;H-welding;N-in-line printed board;
 W-curved insert printed board (1.91×2.54 grid);
 Wi-curved printed board (3.82×2.54 grid);
- ⑥ Locking Components Category: See "J29A Locking Components" for details.
 "Note: P3, P4, P6, P13, P15 type locking components for J29A-□ TJW/ZKW/TJWI/ZKWI products". Shell type:
- ⑦ No letters - ordinary type (shell flange butt end with flat countersink),
 J29-□TJW/ZKW/TJWI/ZKWI is a special shell (the butt end of the shell flange has no flat sink hole, and the filling end has 4.5 × 4.5 square holes)
 A- The width of the shell flange is equal to the width of the tail
 A1- The width of the shell flange is bounded between the ordinary type and the -A type Tail cover
- ⑧ assembly type: D, D1, and D2

Note: Additional instructions are not part of the order mark. Please indicate the specifications of crimped wires in brackets when selecting, such as cross-sectional area, length and color of wires. If the connection relationship is complicated, please provide the connection relationship table.

Flag example

J29A-25 ZK L4-A1 D2 (Additional instructions)

The above marks indicate the number of contacts is 25, the socket is fitted with a jack, the end of the contact is crimped, the type A1 housing, the J29A connector with the type L4 free end locking assembly and the type D2 tail cover fitting. (Additional instructions: cross-sectional area, length and color of wire, etc.)

J29A series miniature rectangular electrical connectors

Order mark

■ J29M series order mark

J29M - × TJ/ZK × × (Additional note)
 ① ② ③ ④ ⑤

- ① Name Code: J29M(M stands for "sealed")
- ② Number of contact parts: 9, 15, 21, 25, 31, 37, 51, 66
- ③ Number of contact parts: 9, 15, 21, 25, 31, 37, 51, 66
- ④ The form of the end of the contact part: no letter one crimp; H-one welding Locking
- ⑤ components: P5 and P12 locking components

Note: Additional instructions are not part of the order mark. Please indicate the specifications of crimped wires in brackets when selecting, such as cross-sectional area, length and color of wires. If the connection relationship is complicated, please provide the connection relationship table.

Flag example

J29M-51 ZK H P5(Additional description)

The above mark indicates the number of contacts is 51, the socket is equipped with a jack, the end of the contact is welded, and the J29M sealed connector with the P5 fixed end locking assembly. (Additional instructions: cross-sectional area, length and color of wire, etc.)

J29A series miniature rectangular electrical connectors

J29A ordinary type \J29A crimping series

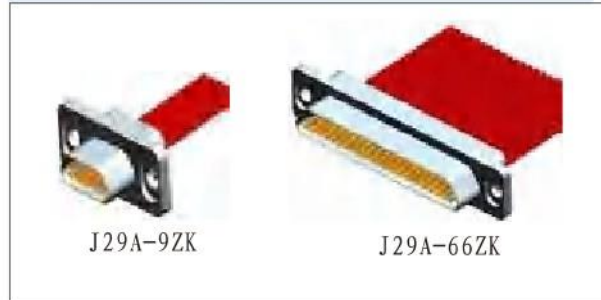
- plug
- J29A-9、15、21、25、31、37、51、66TJ

- socket
- J29A-9、15、21、25、31、37、51、66ZK

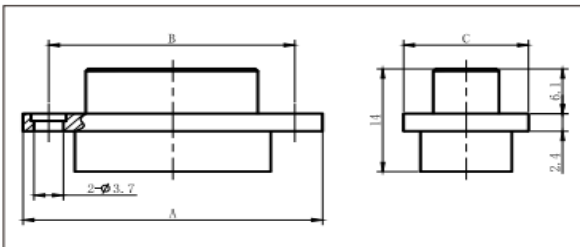
Product stereogram



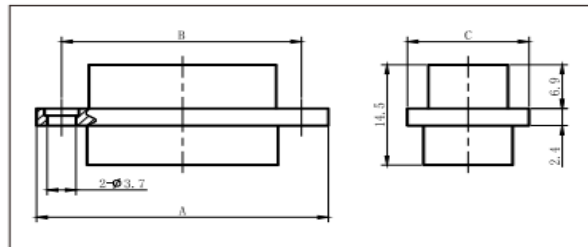
Product stereogram



Product dimensions drawing

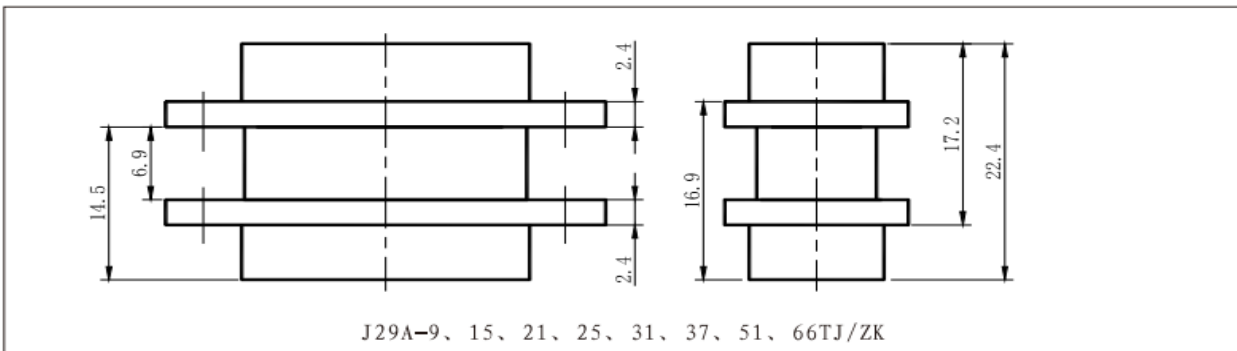


Product dimensions drawing



Plug fitting	A	B	C	Plug fitting	A	B	C
J29A-9TJ	26.1	20.1	13	J29A-9ZK	26.1	20.1	13
J29A-15TJ	31.6	25.6	13	J29A-15ZK	31.6	25.6	13
J29A-21TJ	37.3	31.3	13	J29A-21ZK	37.3	31.3	13
J29A-25TJ	42	36	13	J29A-25ZK	42	36	13
J29A-31TJ	47.8	41.8	13	J29A-31ZK	47.8	41.8	13
J29A-37TJ	53.5	47.5	13	J29A-37ZK	53.5	47.5	13
J29A-51TJ	52	46	14.6	J29A-51ZK	52	46	14.6
J29A-66TJ	61.5	55.5	14.6	J29A-66ZK	61.5	55.5	14.6

Product appearance after docking



J29A series miniature rectangular electrical connectors

J29A Common type V29A welding H series

■ plug

■ J29A-9、15、21、25、31、37、51、66TJH

■ socket

■ J29A-9、15、21、25、31、37、51、66ZKH

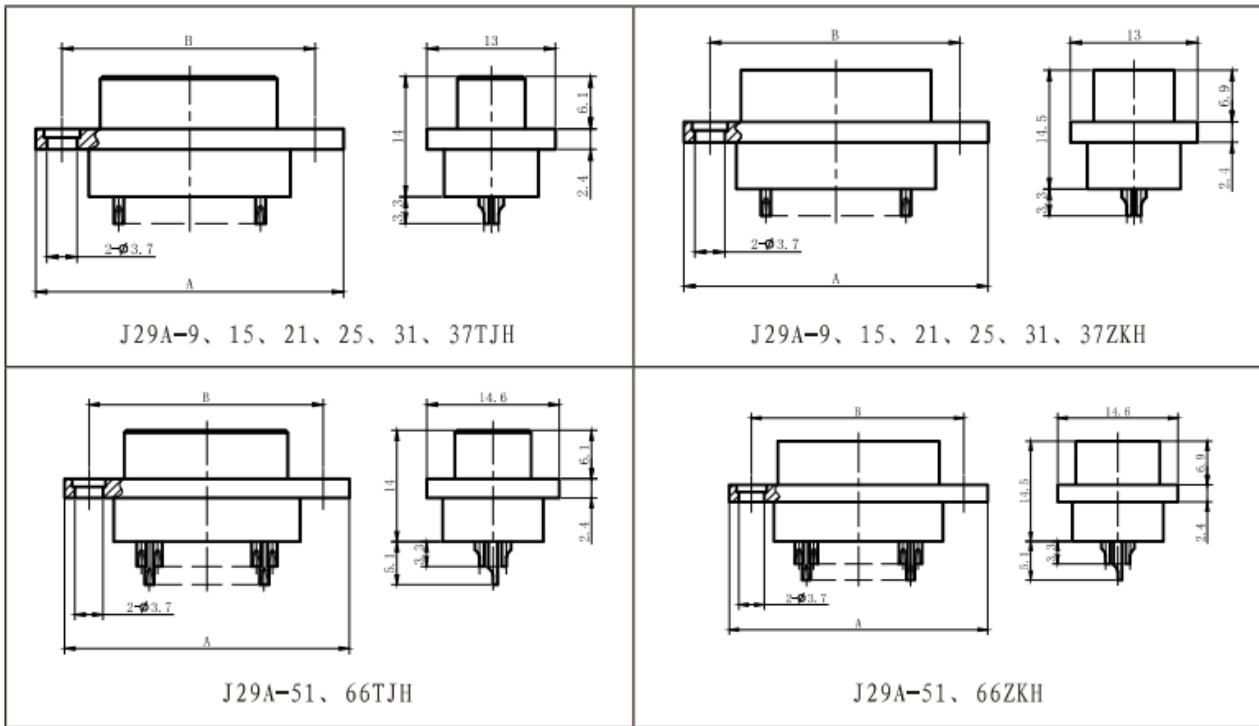
Product stereogram



Product stereogram



Product dimensions drawing



Order mark	A	B	Order mark	A	B
J29A-9TJH	26.1	20.1	J29A-9ZKH	26.1	20.1
J29A-15TJH	31.6	25.6	J29A-15ZKH	31.6	25.6
J29A-21TJH	37.3	31.3	J29A-21ZKH	37.3	31.3
J29A-25TJH	42	36	J29A-25ZKH	42	36
J29A-31TJH	47.8	41.8	J29A-31ZKH	47.8	41.8
J29A-37TJH	53.5	47.5	J29A-37ZKH	53.5	47.5
J29A-51TJH	52	46	J29A-51ZKH	52	46
J29A-66TJH	61.5	55.5	J29A-66ZKH	61.5	55.5

J29A series miniature rectangular electrical connectors

J29A ordinary type \ J29A live printed board N series

Features: Printed board hole spacing 1.91 × 1.65 grid (column × row)

■ plug

■ J29A-9、15、21、25、31、37、51、66TJN

■ socket

■ J29A-9、15、21、25、31、37、51、66ZKN

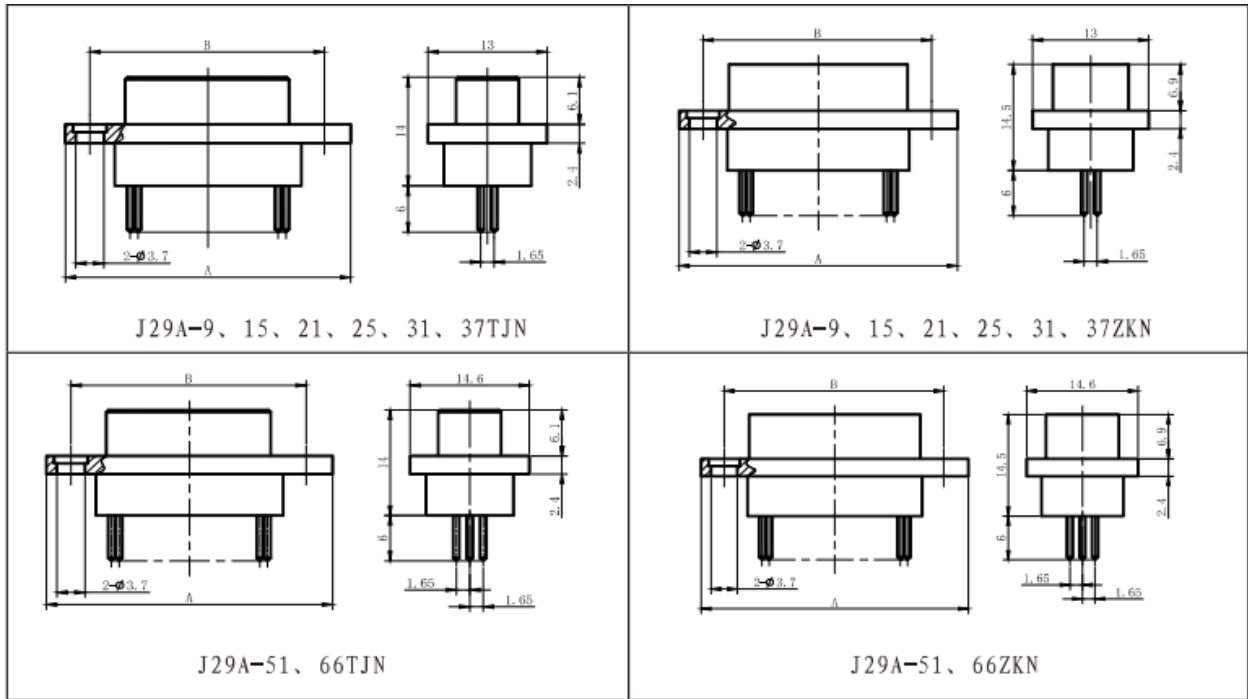
Product stereogram



Product stereogram



Product dimensions drawing



Plug fitting	A	B	Socket fitting	A	B
J29A-9TJN	26.1	20.1	J29A-9ZKN	26.1	20.1
J29A-15TJN	31.6	25.6	J29A-15ZKN	31.6	25.6
J29A-21TJN	37.3	31.3	J29A-21ZKN	37.3	31.3
J29A-25TJN	42	36	J29A-25ZKN	42	36
J29A-31TJN	47.8	41.8	J29A-31ZKN	47.8	41.8
J29A-37TJN	53.5	47.5	J29A-37ZKN	53.5	47.5
J29A-51TJN	52	46	J29A-51ZKN	52	46
J29A-66TJN	61.5	55.5	J29A-66ZKN	61.5	55.5

J29A series miniature rectangular electrical connectors

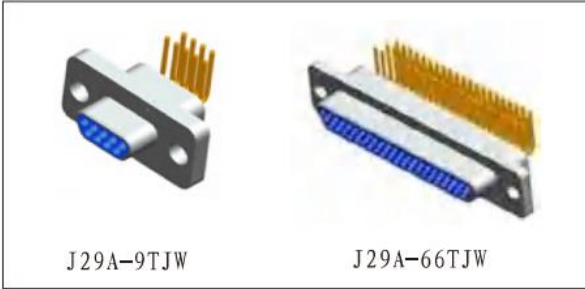
J29A ordinary type \J29A curved insert printed board W series

Features: special shell (shell flange butt end without flat sink hole, glue filling end with 4.5×4.5 square holes); The hole spacing of the printed board is 1.91 ×2.54

- plug
- J29A-9、15、21、25、31、37、51、66TJW

- socket
- J29A-9、15、21、25、31、37、51、66ZKW

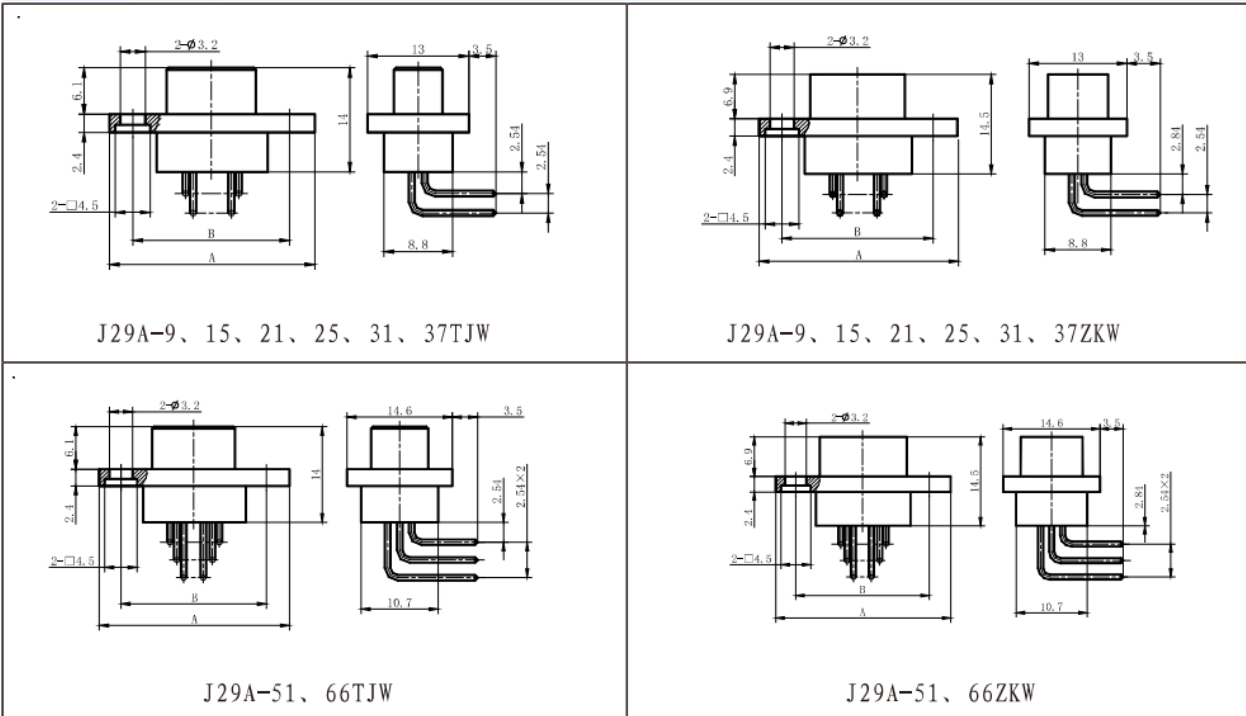
Product stereogram



Product stereogram



Product dimensions drawing



Plug fitting	A	B	Plug fitting	A	B
J29A-9TJW	26.1	20.1	J29A-9ZKW	26.1	20.1
J29A-15TJW	31.6	25.6	J29A-15ZKW	31.6	25.6
J29A-21TJW	37.3	31.3	J29A-21ZKW	37.3	31.3
J29A-25TJW	42	36	J29A-25ZKW	42	36
J29A-31TJW	47.8	41.8	J29A-31ZKW	47.8	41.8
J29A-37TJW	53.5	47.5	J29A-37ZKW	53.5	47.5
J29A-51TJW	52	46	J29A-51ZKW	52	46
J29A-66TJW	61.5	55.5	J29A-66ZKW	61.5	55.5

J29A series miniature rectangular electrical connectors

J29A series miniature rectangular electrical connectors

Features: special shell (shell flange butt end without flat sink hole, glue filling end with 4.5 ×4.5 square holes); The hole spacing of the printed board is 3.82×2.54

- plug
- J29A-9、15、21、25、31、37、51、66TJWI

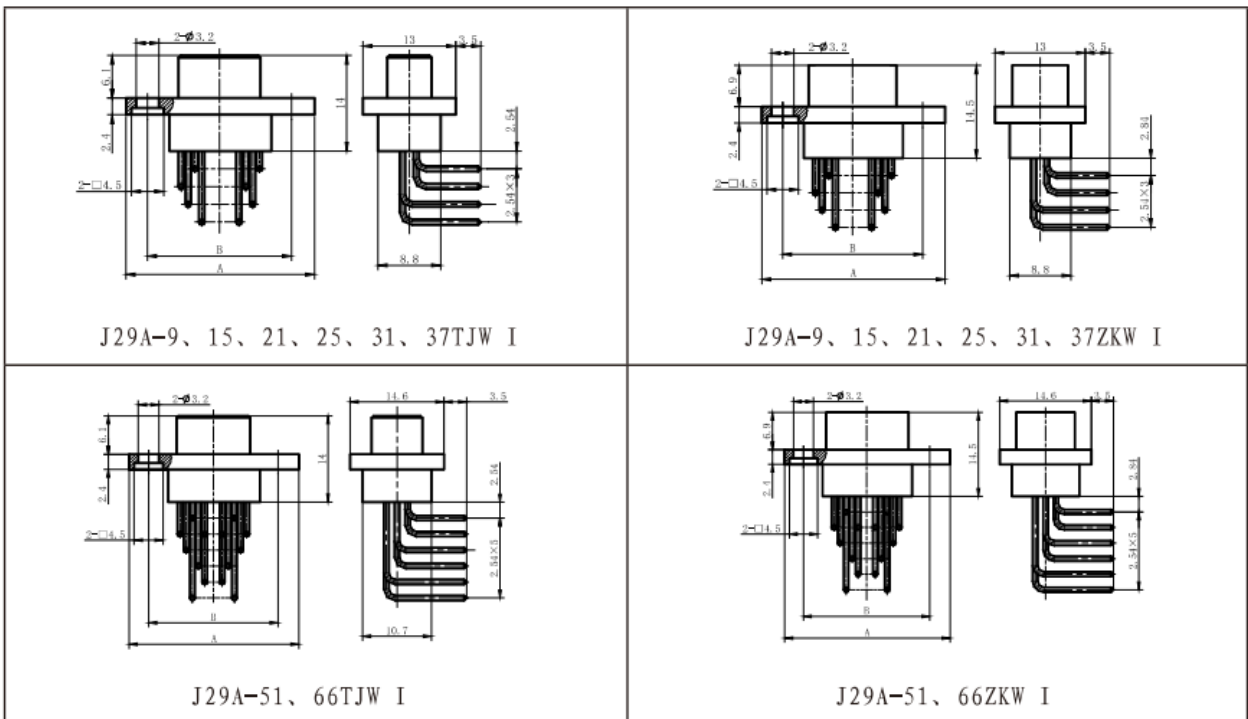
- socket
- J29A-9、15、21、25、31、37、51、66ZKWI

Product stereogram

Product stereogram



Product dimensions drawing



Plug fitting	A	B	Plug fitting	A	B
J29A-9TJW I	26.1	20.1	J29A-9ZKW I	26.1	20.1
J29A-15TJW I	31.6	25.6	J29A-15ZKW I	31.6	25.6
J29A-21TJW I	37.3	31.3	J29A-21ZKW I	37.3	31.3
J29A-25TJW I	42	36	J29A-25ZKW I	42	36
J29A-31TJW I	47.8	41.8	J29A-31ZKW I	47.8	41.8
J29A-37TJW I	53.5	47.5	J29A-37ZKW I	53.5	47.5
J29A-51TJW I	52	46	J29A-51ZKW I	52	46
J29A-66TJW I	61.5	55.5	J29A-66ZKW I	61.5	55.5

J29A series miniature rectangular electrical connectors

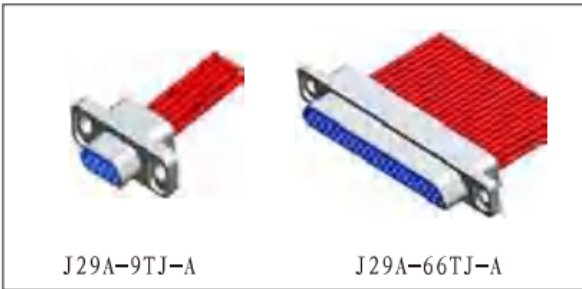
J29A-A type VJ29A-A type crimping series

Features: Product shell change, shell flange width and tail width

- plug
- J29A-9、15、21、25、31、37、51、66TJ-A

- socket
- J29A-9、15、21、25、31、37、51、66ZK-A

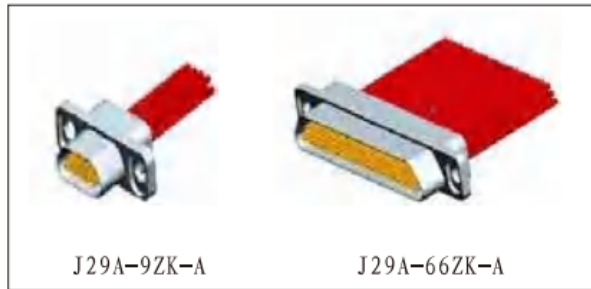
Product stereogram



J29A-9TJ-A

J29A-66TJ-A

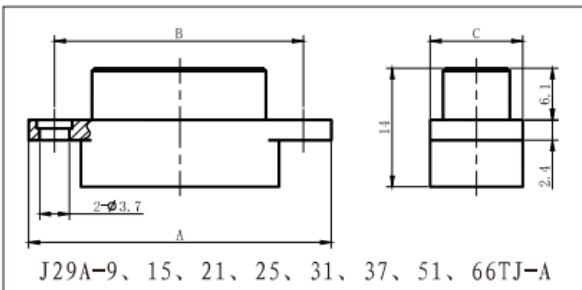
Product stereogram



J29A-9ZK-A

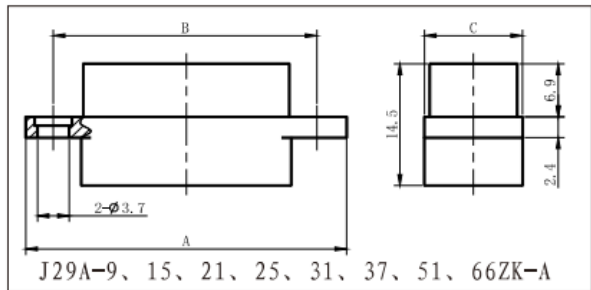
J29A-66ZK-A

Product dimensions drawing



J29A-9、15、21、25、31、37、51、66TJ-A

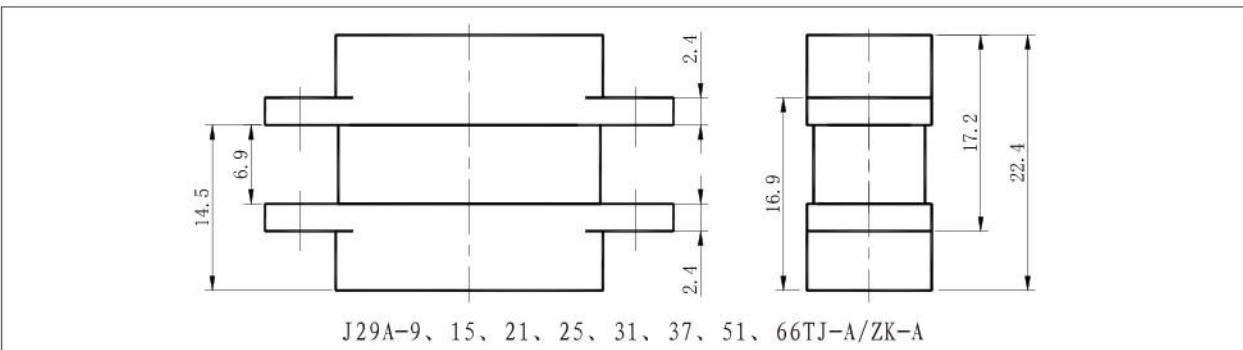
Product dimensions drawing



J29A-9、15、21、25、31、37、51、66ZK-A

Plug fitting	A	B	C	Plug fitting	A	B	C
J29A-9TJ-A	26.1	20.1	8.8	J29A-9ZK-A	26.1	20.1	8.8
J29A-15TJ-A	31.6	25.6	8.8	J29A-15ZK-A	31.6	25.6	8.8
J29A-21TJ-A	37.3	31.3	8.8	J29A-21ZK-A	37.3	31.3	8.8
J29A-25TJ-A	42	36	8.8	J29A-25ZK-A	42	36	8.8
J29A-31TJ-A	47.8	41.8	8.8	J29A-31ZK-A	47.8	41.8	8.8
J29A-37TJ-A	53.5	47.5	8.8	J29A-37ZK-A	53.5	47.5	8.8
J29A-51TJ-A	52	46	10.7	J29A-51ZK-A	52	46	10.7
J29A-66TJ-A	61.5	55.5	10.7	J29A-66ZK-A	61.5	55.5	10.7

Product appearance after docking



J29A-9、15、21、25、31、37、51、66TJ-A/ZK-A

J29A series miniature rectangular electrical connectors

J29A-A type VJ29A-A type welding H series

Features: Product shell change, shell flange width and tail width

- plug
- J29A-9、15、21、25、31、37、51、66TJH-A

- socket
- J29A-9、15、21、25、31、37、51、66ZKH-A

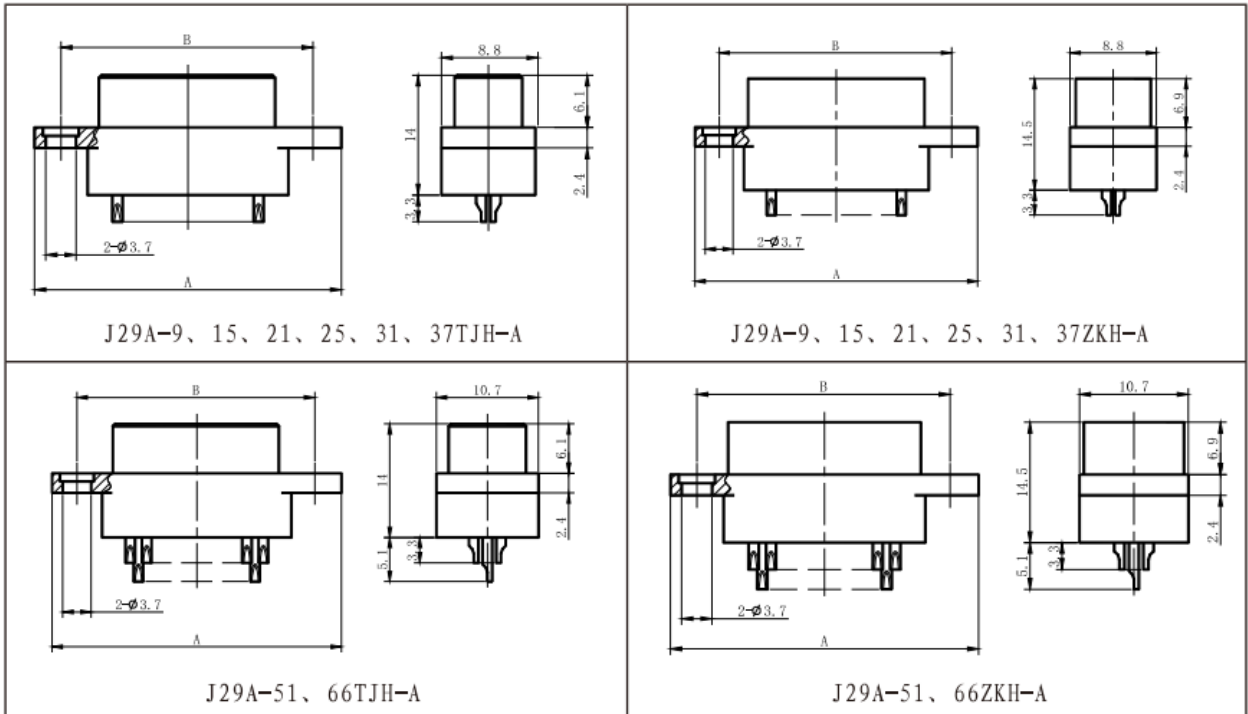
Product stereogram



Product stereogram



Product dimensions drawing



Plug fitting	A	B	Plug fitting	A	B
J29A-9TJH-A	26.1	20.1	J29A-9ZKH-A	26.1	20.1
J29A-15TJH-A	31.6	25.6	J29A-15ZKH-A	31.6	25.6
J29A-21TJH-A	37.3	31.3	J29A-21ZKH-A	37.3	31.3
J29A-25TJH-A	42	36	J29A-25ZKH-A	42	36
J29A-31TJH-A	47.8	41.8	J29A-31ZKH-A	47.8	41.8
J29A-37TJH-A	53.5	47.5	J29A-37ZKH-A	53.5	47.5
J29A-51TJH-A	52	46	J29A-51ZKH-A	52	46
J29A-66TJH-A	61.5	55.5	J29A-66ZKH-A	61.5	55.5

J29A series miniature rectangular electrical connectors

J29A-A type VJ29A-A type bent insert printed board W series

Features: Product shell change, shell flange width and tail width; The hole spacing of the printed board is 1.91×2.54

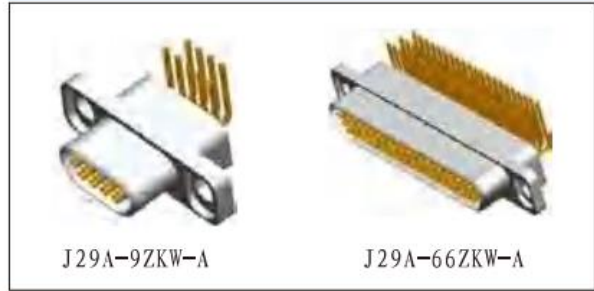
- plug
- J29A-9、15、21、25、31、37、51、66TJW-A

- socket
- J29A-9、15、25、31、37、51、66ZKW-A

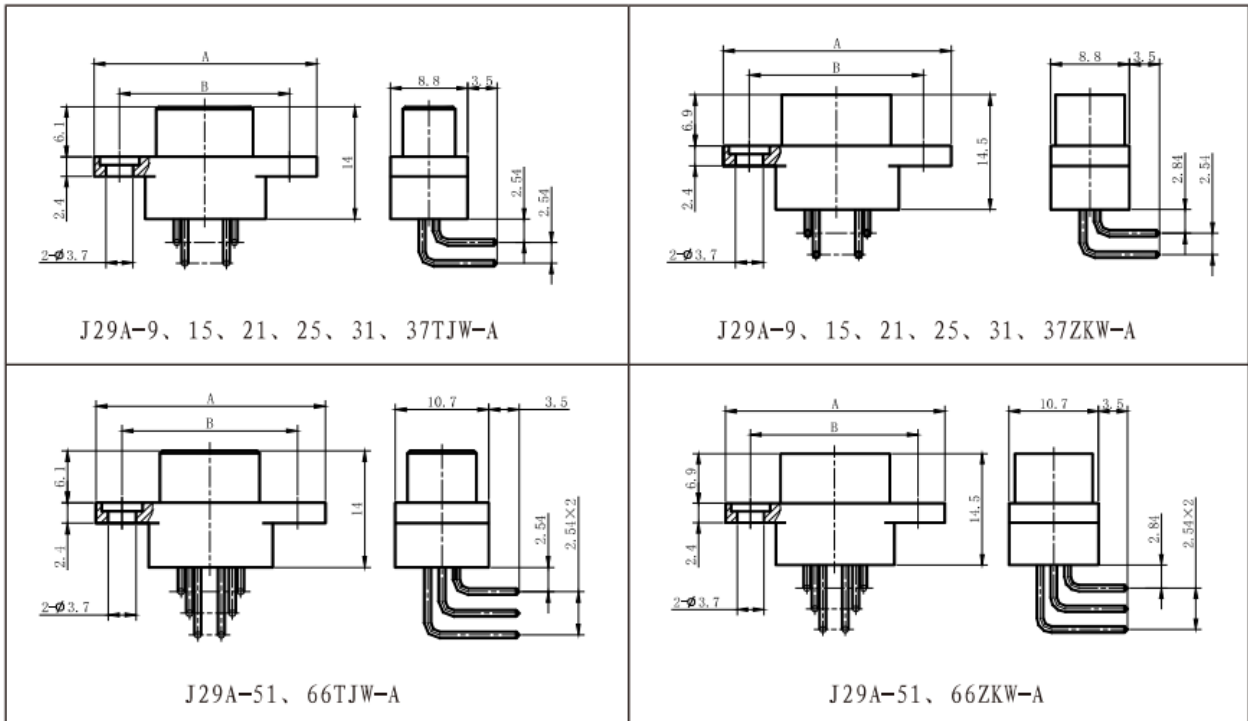
Product stereogram



Product stereogram



Product dimensions drawing



Plug fitting	A	B	Plug fitting	A	B
J29A-9TJW-A	26.1	20.1	J29A-9ZKW-A	26.1	20.1
J29A-15TJW-A	31.6	25.6	J29A-15ZKW-A	31.6	25.6
J29A-21TJW-A	37.3	31.3	J29A-21ZKW-A	37.3	31.3
J29A-25TJW-A	42	36	J29A-25ZKW-A	42	36
J29A-31TJW-A	47.8	41.8	J29A-31ZKW-A	47.8	41.8
J29A-37TJW-A	53.5	47.5	J29A-37ZKW-A	53.5	47.5
J29A-51TJW-A	52	46	J29A-51ZKW-A	52	46
J29A-66TJW-A	61.5	55.5	J29A-66ZKW-A	61.5	55.5

J29A series miniature rectangular electrical connectors

J29A-A type \J29A-A type bent insert printed board WI series

Features: Product shell change, shell flange width and tail width; The hole spacing of the printed board is 3.82×2.54

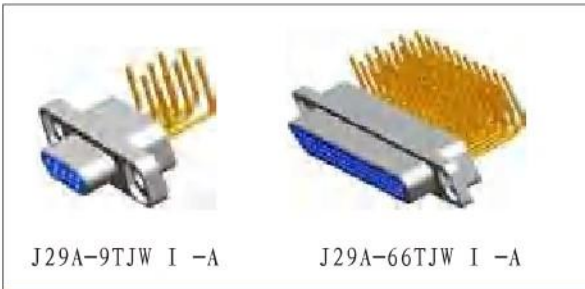
■ plug

■ J29A-9、15、21、25、31、37、51、66TJW I -A

■ socket

■ J29A-9、15、21、25、3137、51、66ZKW I -A

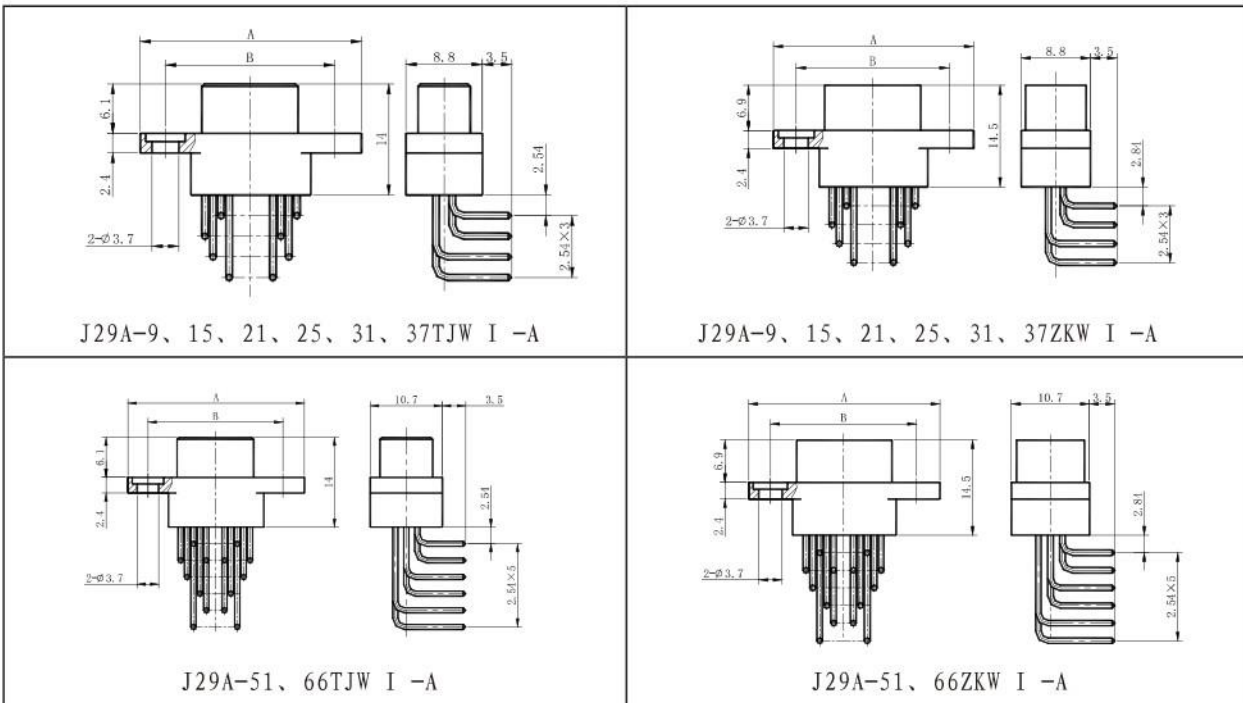
Product stereogram



Product stereogram



Product dimensions drawing



Plug fitting	A	B	Plug fitting	A	B
J29A-9TJW I -A	26.1	20.1	J29A-9ZKW I -A	26.1	20.1
J29A-15TJW I -A	31.6	25.6	J29A-15ZKW I -A	31.6	25.6
J29A-21TJW I -A	37.3	31.3	J29A-21ZKW I -A	37.3	31.3
J29A-25TJW I -A	42	36	J29A-25ZKW I -A	42	36
J29A-31TJW I -A	47.8	41.8	J29A-31ZKW I -A	47.8	41.8
J29A-37TJW I -A	53.5	47.5	J29A-37ZKW I -A	53.5	47.5
J29A-51TJW I -A	52	46	J29A-51ZKW I -A	52	46
J29A-66TJW I -A	61.5	55.5	J29A-66ZKW I -A	61.5	55.5

J29A series miniature rectangular electrical connectors

J29A-A1 \J29A-A1 crimping series

Features: The product shell is changed, and the flange width is between the ordinary type and the -A type

■ plug

■ J29A-9、15、21、25、31、37、51、66TJ-A1

■ socket

■ J29A-9、15、21、25、31、37、51、66ZK-A1

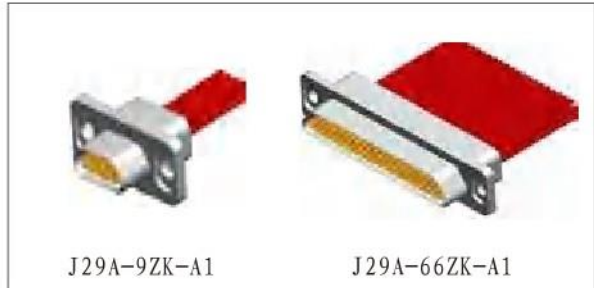
Product stereogram



J29A-9TJ-A1

J29A-66TJ-A1

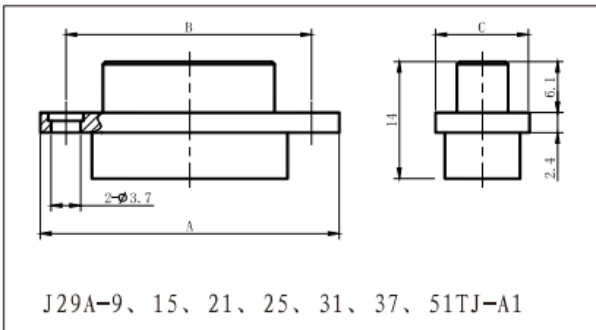
Product stereogram



J29A-9ZK-A1

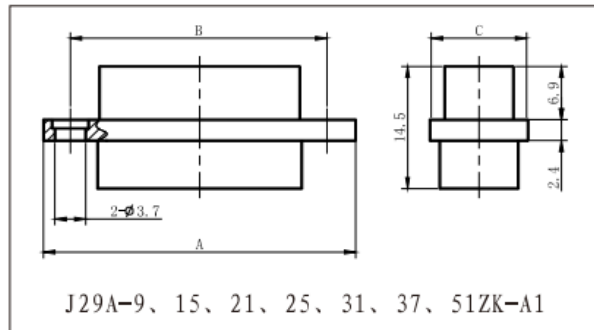
J29A-66ZK-A1

Product dimensions drawing



J29A-9、15、21、25、31、37、51TJ-A1

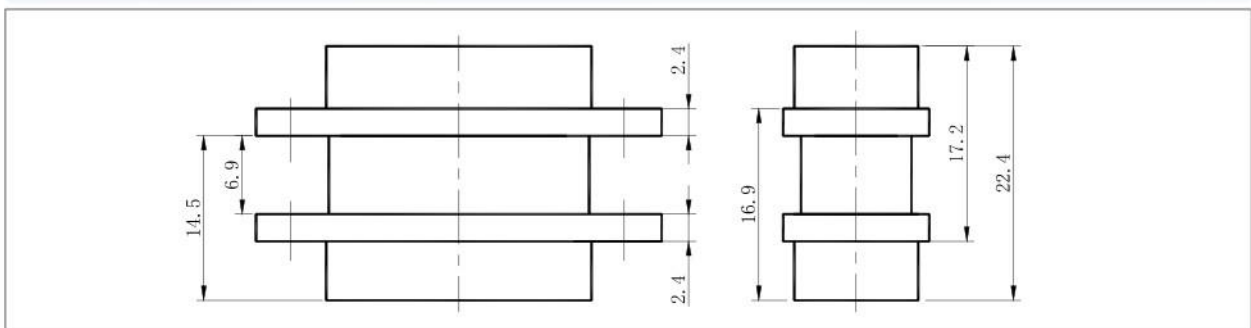
Product dimensions drawing



J29A-9、15、21、25、31、37、51ZK-A1

Plug fitting	A	B	C	Socket fitting	A	B	C
J29A-9TJ-A1	26.1	20.1	11	J29A-9ZK-A1	26.1	20.1	11
J29A-15TJ-A1	31.6	25.6	11	J29A-15ZK-A1	31.6	25.6	11
J29A-21TJ-A1	37.3	31.3	11	J29A-21ZK-A1	37.3	31.3	11
J29A-25TJ-A1	42	36	11	J29A-25ZK-A1	42	36	11
J29A-31TJ-A1	47.8	41.8	11	J29A-31ZK-A1	47.8	41.8	11
J29A-37TJ-A1	53.5	47.5	11	J29A-37ZK-A1	53.5	47.5	11
J29A-51TJ-A1	52	46	12.6	J29A-51ZK-A1	52	46	12.6
J29A-66TJ-A1	61.5	55.5	12.6	J29A-66ZK-A1	61.5	55.5	12.6

Product appearance after docking



J29A series miniature rectangular electrical connectors

J29A-A1 type \J29A-A1 type welding H series

Features: The product shell is changed, the width of the flange is between the ordinary type and the -A type; The end of the contact is welded

■ plug

■ J29A-9、15、21、25、31、37、51、66TJH-A1

■ socket

■ J29A-9、15、21、25、31、37、51、66ZKH-A1

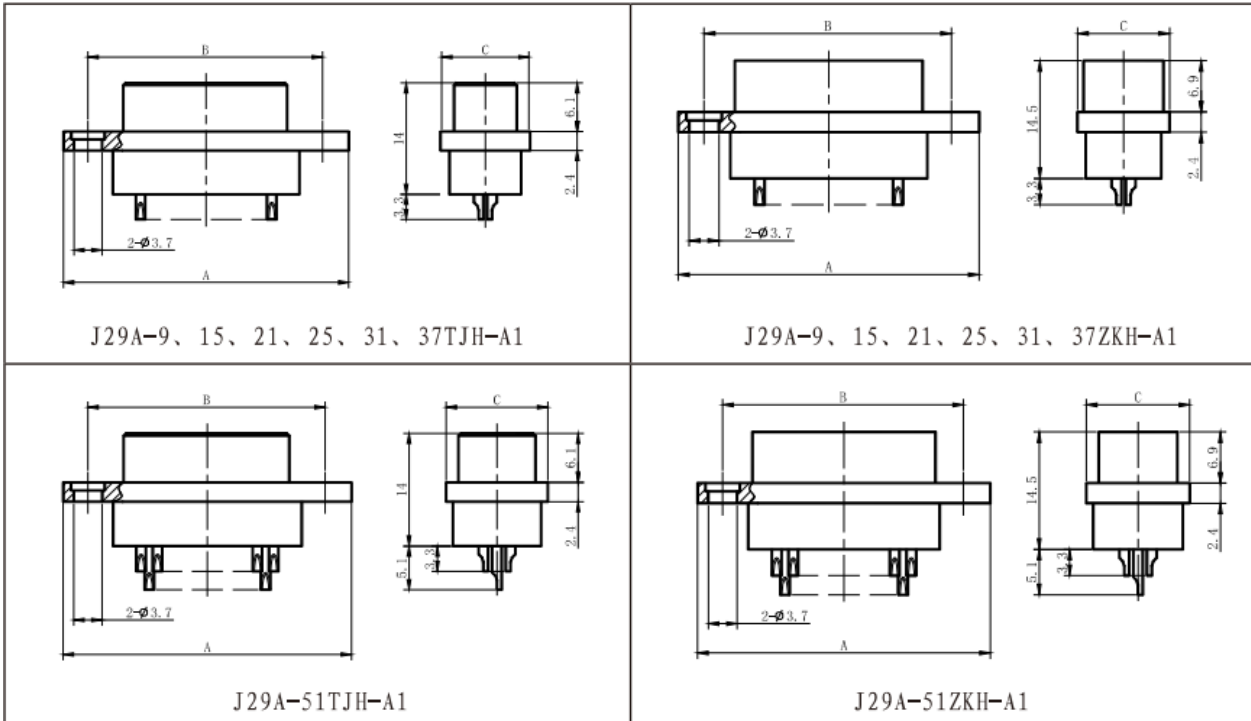
Product stereogram



Product stereogram



Product dimensions drawing



Plug fitting	A	B	C	Socket fitting	A	B	C
J29A-9TJH-A1	26.1	20.1	11	J29A-9ZKH-A1	26.1	20.1	11
J29A-15TJH-A1	31.6	25.6	11	J29A-15ZKH-A1	31.6	25.6	11
J29A-21TJH-A1	37.3	31.3	11	J29A-21ZKH-A1	37.3	31.3	11
J29A-25TJH-A1	42	36	11	J29A-25ZKH-A1	42	36	11
J29A-31TJH-A1	47.8	41.8	11	J29A-31ZKH-A1	47.8	41.8	11
J29A-37TJH-A1	53.5	47.5	11	J29A-37ZKH-A1	53.5	47.5	11
J29A-51TJH-A1	52	46	12.6	J29A-51ZKH-A1	52	46	12.6
J29A-66TJH-A1	61.5	55.5	12.6	J29A-66ZKH-A1	61.5	55.5	12.6

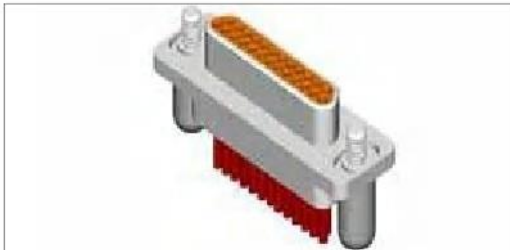
J29A series miniature rectangular electrical connectors

J29A locking assembly \ J29A free end locking assembly

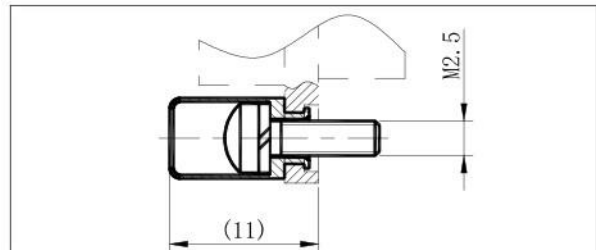
J29A free end locking assembly

■ L-lock assembly

Assembly diagram



Assembly diagram



■ L-lock assembly fitting table

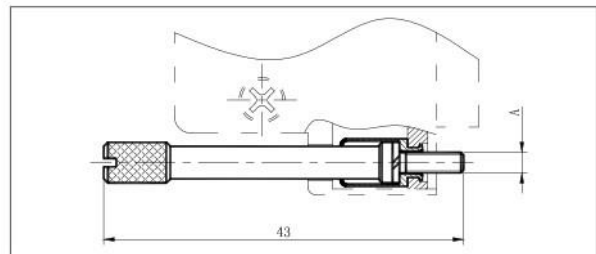
Locking assembly	Fixed end locking assembly available
L-shape	P、P1、P3、P4、P5、P8、P9、P11、P12、P13、P14、P15、P16 型

■ Type L1, L2 locking components

Installation diagram (the picture shows that the tail cover is installed)



Outline dimensional drawing



■ L1, L2 type locking assembly matching table and dimensions

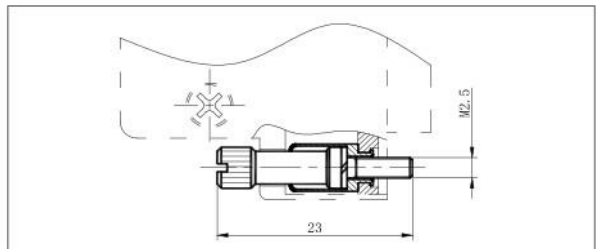
Locking assembly	Fixed end locking assembly available	Tail-cover fitting can be used	A
L1 type	P、P1、P3、P4、P5、P8、P9、P11 ~ P16 型	Type D, D1, and D2	M2.5
L2 type	Type P6	Type D, D1, and D2	0.099-48UNC-2A

■ Type L3 locking assembly

Installation diagram (the picture shows that the tail cover is installed)



Outline dimensional drawing



■ L3 locking assembly fitting table

Free end locking assembly	Fixed end locking assembly available	Tail-cover fitting can be used
L3 type	Types P, P1, P3, P4, P5, P8, P9, P11~P16	Type D, D1, and D2

J29A series miniature rectangular electrical connectors

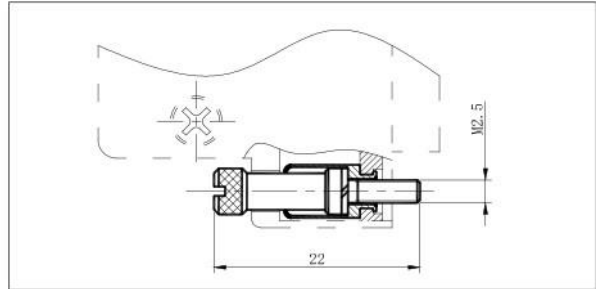
J29A Locking Assembly \J29A free end & Fixed end locking assembly

■ Type L4 locking assembly

Installation diagram (the picture shows that the tail cover is installed)



Outline dimensional drawing



■ L4 locking assembly fitting table

Free end locking assembly	Fixed end locking assembly available	Tail-cover fitting can be used
L4 type	Types P , P1, P3, P4, P5, P8, P9, P11~P16	Type D, D1, and D2

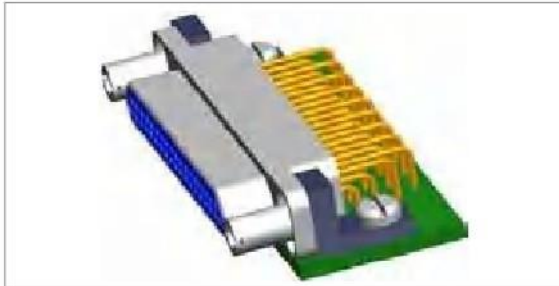
■ J29A Locking assembly \J29A fixed end locking assembly

P-type locking assembly

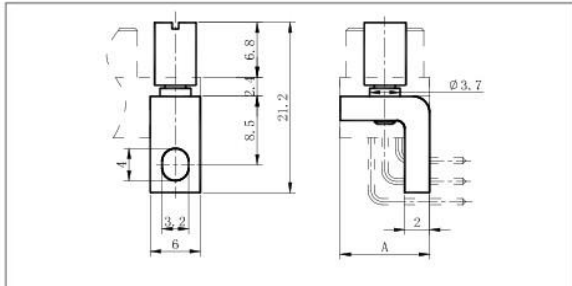
The P-type locking assembly is used for the edge mounting mode of the "-A" type bent-insert printed board series with no mounting plate.

The P-type locking assembly has a built-in nut support with a medium 3.7 round boss.

Installation diagram



Installation diagram



■ P type locking assembly fitting table

Fixed end locking assembly	Optional free end locking assembly	A	remark
P-type	Type L, L1, L3, L4	8.8	9 ~ 37 cores
		10.7	51 ~ 66 cores

Type P15 locking assembly

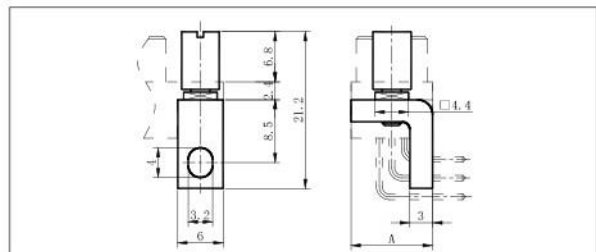
The P15 locking component is only applicable to the edge installation mode of the J29A- □ TJW/ZKW/TJWI/ZKWI bent-insert printed board series products. There is no mounting plate.

The type P15 locking assembly is provided with an embedded nut support, which is provided with a 4.4 square flange.

Installation diagram



Outline dimensional drawing



J29A series miniature rectangular electrical connectors

J29A Locking Assembly \J29A free end & Fixed end locking assembly

■ P15 type locking assembly fitting table

Fixed end locking assembly	Optional free end locking assembly	A	remark
TypeP15	Type L, L1, L3, L4	13	9~ 37 cores
		14.6	51 ~ 66 cores

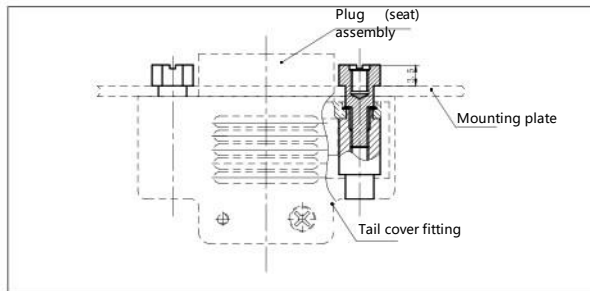
Type P1 locking assembly

The P1 lock assembly is mainly used for the backboard installation of the line pressing and welding series products requiring the tail-cover assembly. The mounting plate thickness is 2.3mm

Installation diagram



Outline dimensional drawing



■ P1 type locking assembly fitting table

Fixed end locking assembly	Optional free end locking assembly	Tail-cover fitting for use
P1 type	Type L, L1, L3, L4	Type D, D1, and D2

■ P3, P6 type locking assembly

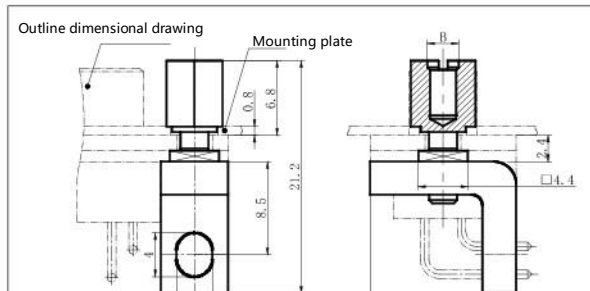
Type P3 and P6 locking components are only applicable to the rear edge of J29A-port TJW/ZKW/TJWI/ZKWI bend-insert printed board series products, and the mounting plate thickness is 0.8mm.

P3, P6 locking assembly with embedded nut support, embedded nut support with □ 4.4 square convex.

Installation diagram



Outline dimensional drawing



Fixed end locking assembly	Fixed end locking assembly available	A	B	remark
Type P3 (metric thread)	Type L, L1, L3, L4	13	M2, 5-6H	9-37 cores
		14.6	M2, 5-6H	51-66 cores
Type P6 (Inch thread)	L2	13	0.099-18UNC-2B	9-37 cores
		14.6	0.099-18UNC-2B	51-66 cores

■

P3, P6 type locking assembly matching table

J29A series miniature rectangular electrical connectors

J29A Locking assembly /J29A fixed end locking assembly

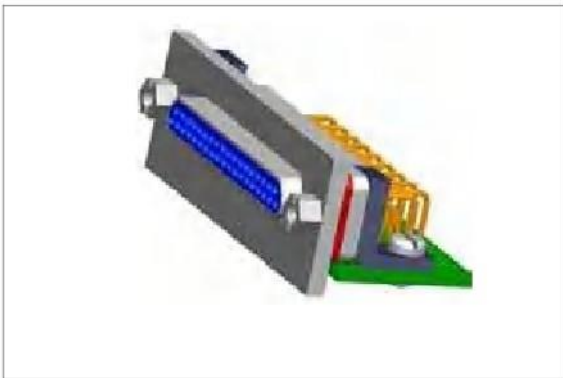
■ P4, P13 type locking assembly

The type P4 locking assembly is only applicable to the rear edge of the J29ATJW/ZKW/TJWI/ZKWI bend-insert printed board series products. The thickness of the mounting board is 2.5 mm.

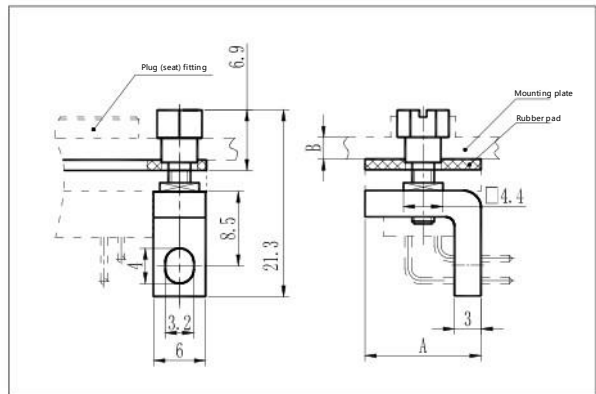
The type P13 locking assembly is only applicable to the rear edge of the J29A-port TJW/ZKW/TJWI/ZKWI bend-insert printed board series products. The mounting plate thickness is 2mm

P4, P13 type locking assembly with embedded nut bracket, embedded nut bracket with mouth 4.4 square convex; And all with rubber pads.

Installation diagram



Installation diagram



■ P4, P13 type locking components matching table and dimensions

Fixed end locking assembly	Optional free end locking assembly	A	B	remark
P4 type	Type L, L1, L3, L4	13	2.5	9 ~ 37 cores
		14.6	2.5	51 ~ 66 cores
P13 type	Type L, L1, L3, L4	13	2	9 ~ 37 cores
		14.6	2	51 ~ 66 cores

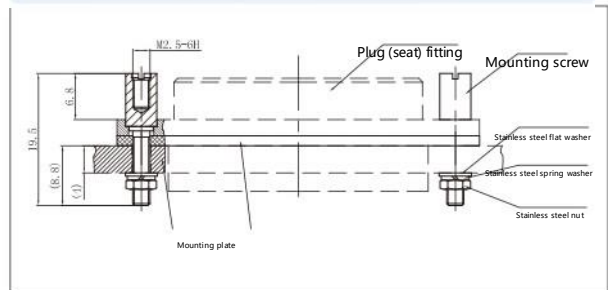
P5 type locking assembly

The P5 lock assembly is used for the front mounting of the J29M sealing products, the mounting plate thickness is <4mm, with conductive rubber pad.

Installation diagram



Outline dimensional drawing



■ P5 type locking assembly configuration table

Fixed end locking assembly	Optional free end locking assembly
P5 type	Type L, L1, L3, L4

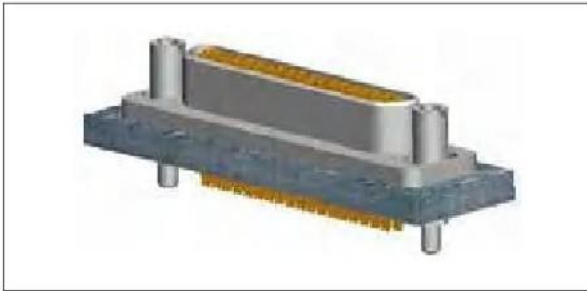
J29A series miniature rectangular electrical connectors

J29A Locking assembly \J29A fixed end locking assembly

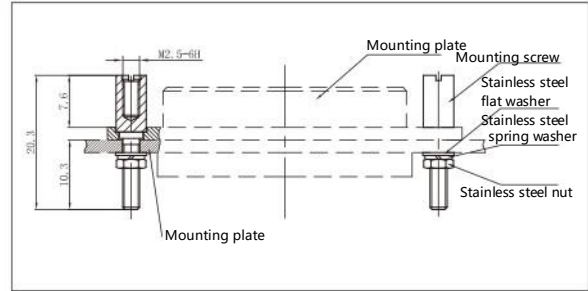
■ Type P8 locking assembly

The P8 lock assembly is mainly used for plate front mounting, and the mounting plate thickness is $\leq 4.5\text{mm}$.

Installation diagram



Outline dimensional drawing



■ P8 type locking assembly fitting table

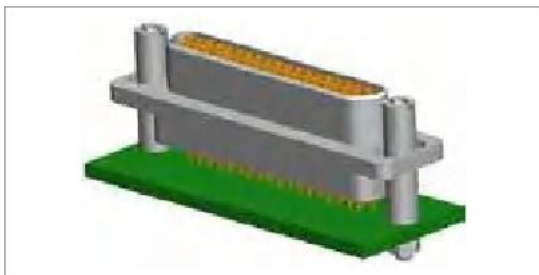
Fixed end locking assembly	Optional free end locking assembly
P8 type	Type L, L1, L3, L4

■ P9, P11 type locking assembly

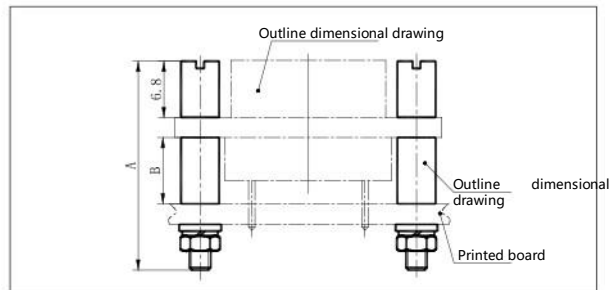
P9 lock module is suitable for in-line printed board series products, printed board thickness $<2.5\text{mm}$; 8mm long support sleeve without mounting plate.

P11 lock module is suitable for in-line printed board series products, printed board thickness $2.5\text{mm} \sim 3.5\text{mm}$; 7.2mm long support sleeve without mounting plate.

Installation diagram



Outline dimensional drawing



■ P9, P11 type locking components matching table and dimensions

Fixed end locking assembly	Optional free end locking assembly	A	B
P9 type	Type L, L1, L3, L4	27	8
P11 type	Type L, L1, L3, L4	24	7.2

J29A series miniature rectangular electrical connectors

J29A Locking assembly \J29A fixed end locking assembly

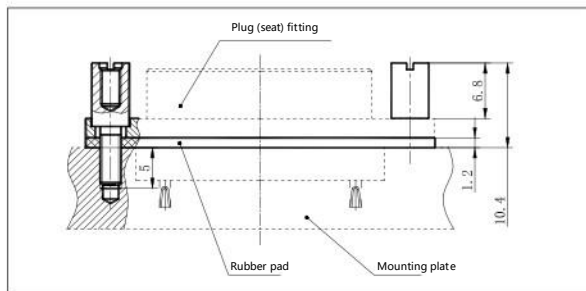
■ P12 type locking component

P12 type locking assembly is mainly used for plate front installation, interface sealing function, thread depth $\geq 5\text{mm}$.

Installation diagram



Outline dimensional drawing



■ P12 type locking components are used

Fixed end locking assembly	Optional free end locking assembly
P12 type	Type L, L1, L3, L4

■ P12 type locking components are used

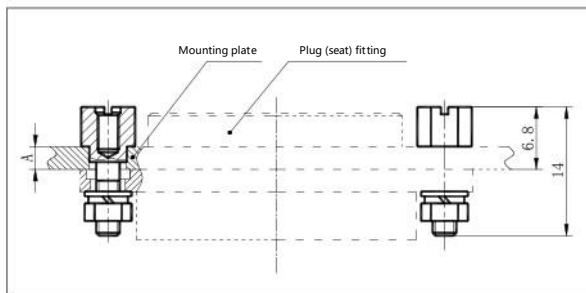
The P16 lock assembly is suitable for mounting the plate after crimping and welding products. The thickness of the mounting plate is 1 ~ 1.5 mm.

The P14 lock assembly is suitable for mounting the plate after crimping and welding products. The thickness of the mounting plate is 2 ~ 2.5mm

Installation diagram



Outline dimensional drawing



■ P14、P16 型锁紧组件配用 P14, P16 type locking components are used

Fixed end locking assembly	Optional free end locking assembly	A
P14 type	Type L, L1, L3, L4	2 ~ 2.5
P16 type	Type L, L1, L3, L4	1 ~ 1.5

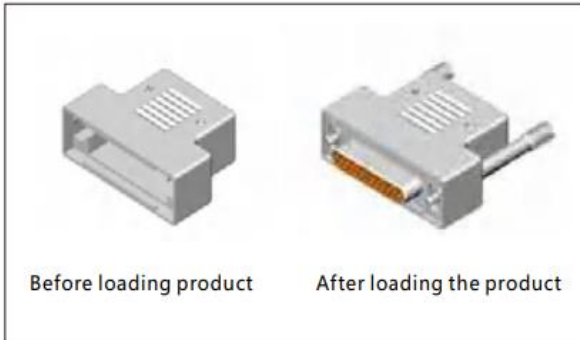
J29A series miniature rectangular electrical connectors

J29A Accessories \J29A tail cover fitting

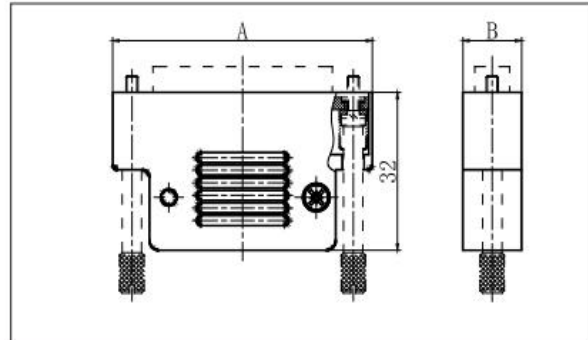
■ Type D tail cover fitting

D-type tail cover fitting is suitable for common type crimping and welding products; The D-type tail-cover fitting is a two-lobe structure with a built-in clamp.

Stereogram of D-type tail cover fitting



D-type tail cover assembly dimensions

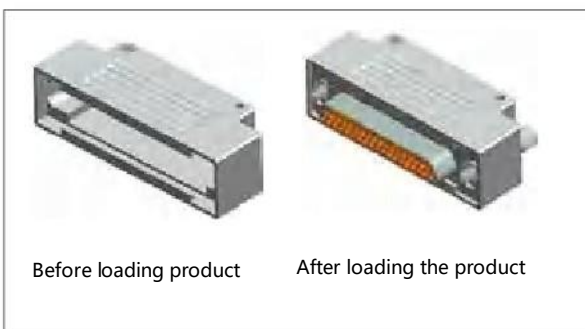


Applicable product	A	B	Applicable product	A	B
J29A-9	27.8	15	J29A-31	49.6	15
J29A-15	33.3	15	J29A-37	55.3	15
J29A-21	38.9	15	J29A-51	53.8	16.6
J29A-25	43.8	15	J29A-66TJ	63.3	16.6

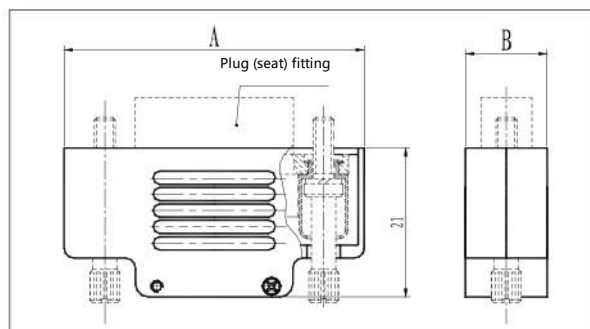
■ Type D1 tail cover fitting

D1-type tail cover fitting is suitable for ordinary crimping series products; The type D1 tail cover assembly is of two-lobe construction and does not contain a clamp.

Stereogram of type D1 tail cover assembly



Dimension drawing of type D1 tail cover fitting



Applicable product	A	B	Applicable product	A	B
J29A-9	27.8	15	J29A-31	49.6	15
J29A-15	33.3	15	J29A-37	55.3	15
J29A-21	38.9	15	J29A-51	53.8	16.6
J29A-25	43.8	15	J29A-66TJ	63.3	16.6

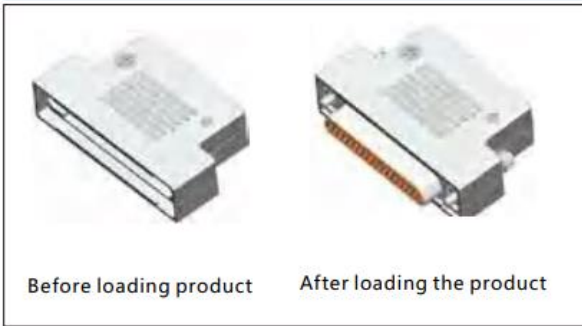
J29A series miniature rectangular electrical connectors

J29A Accessories \J29A tail cover fitting & mounting plate opening dimensions

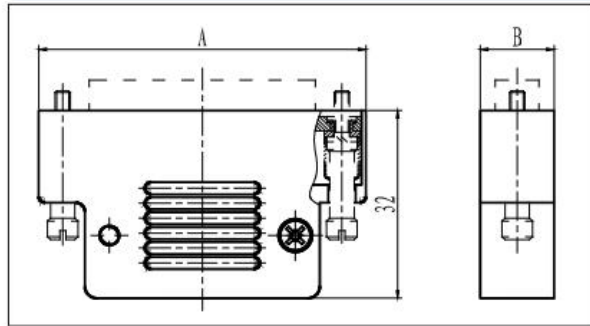
■ Type D2 tail cover fitting

Type D2 tail cover fitting is only applicable to Type -A1 crimping and welding series products. The Type D2 tail-cover fitting is a two-lobe structure with a built-in clamp.

Stereogram of type D2 tail cover fitting



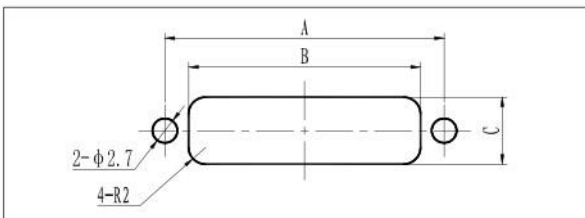
Dimensions of type D2 tail cover fitting



After loading the product	A	B
J29A-25	43.8	13
J29A-37	55.3	13
J29A-51	53.8	14.6

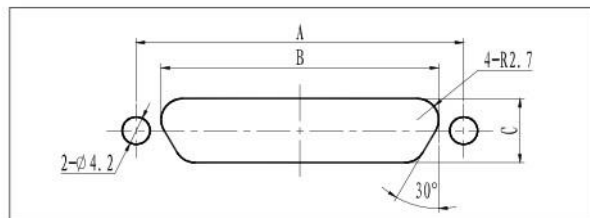
■ J29A series mounting plate opening dimensions

Front mounting Dimensions of the mounting plate holes

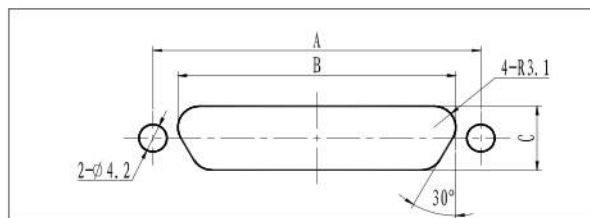


Order mark	A	B	C
J29A-9	20.1	14.4	9
J29A-15	25.6	19.9	9
J29A-21	31.3	25.6	9
J29A-25	36	30.1	9
J29A-31	41.8	35.9	9
J29A-37	47.5	41.6	9
J29A-51	46	40.1	10.9
J29A-66	55.5	49.6	10.9

Rear plate installation Dimensions of the holes on the mounting plate



Order mark	A	B	C
J29A-9	20.1	13.3	7
J29A-15	25.6	18.8	7
J29A-21	31.3	24.5	7

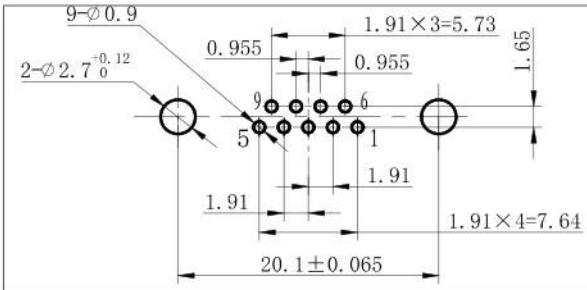


Order mark	A	B	C
J29A-25	36	29.2	7.9
J29A-31	41.8	35	7.9
J29A-37	47.5	40.7	7.9
J29A-51	46	39.2	9.6
J29A-66	55.5	48.7	9.6

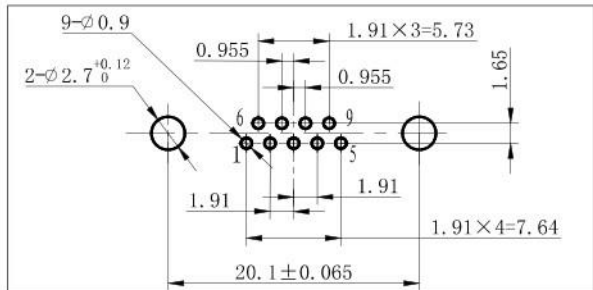
J29A series miniature rectangular electrical connectors

J29A series micro rectangular electrical connector printed board opening size \J29A-N series

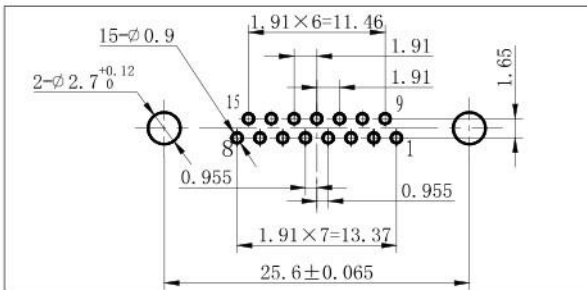
■ J29A-9TJN



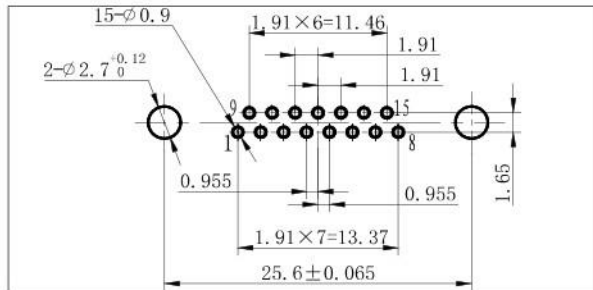
■ J29A-9ZKN



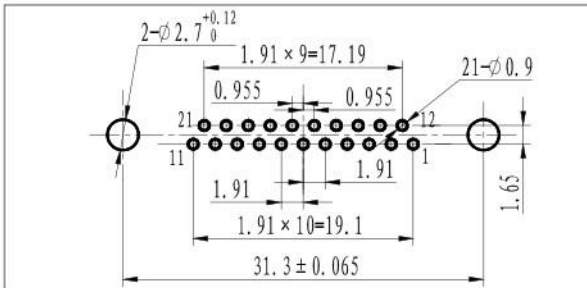
■ J29A-15TJN



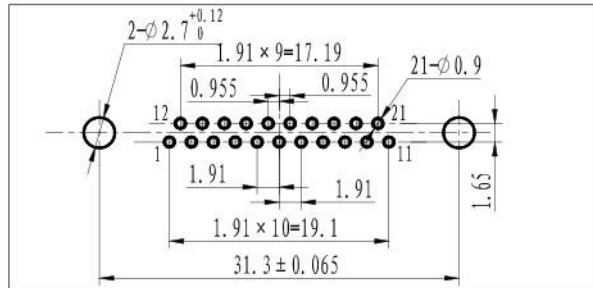
■ J29A-15ZKN



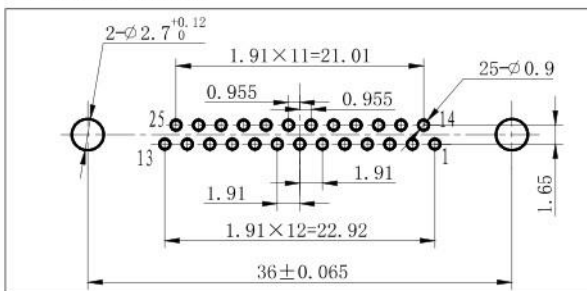
■ J29A-21TJN



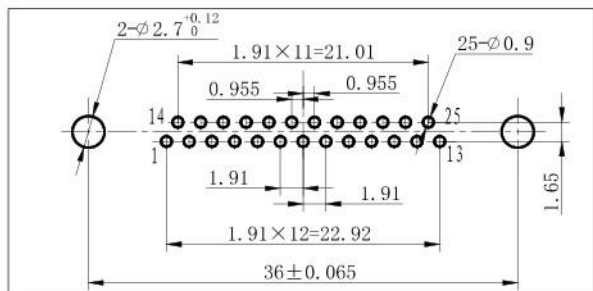
■ J29A-21ZKN



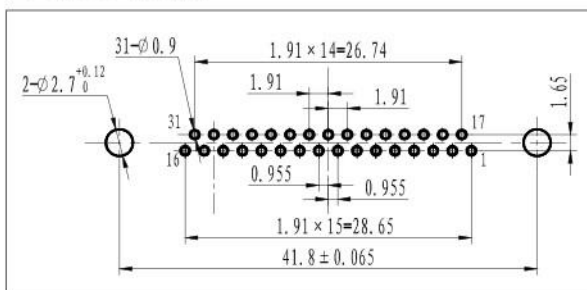
■ J29A-25TJN



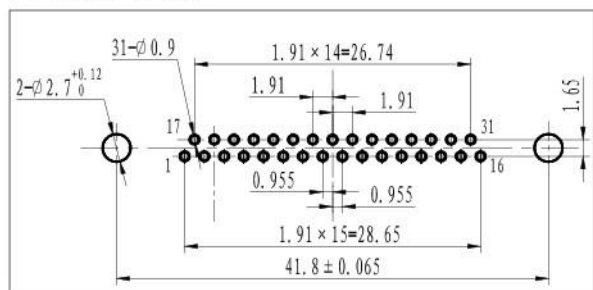
■ J29A-25ZKN



■ J29A-31TJN



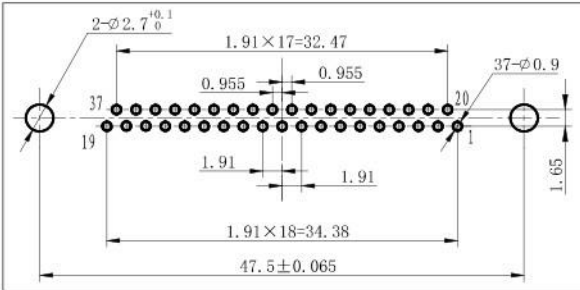
■ J29A-31ZKN



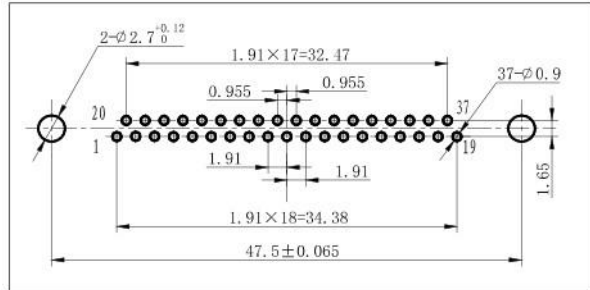
J29A series miniature rectangular electrical connectors

J29A series micro rectangular electrical connector printed board opening size \J29A-N series &J29A-W series

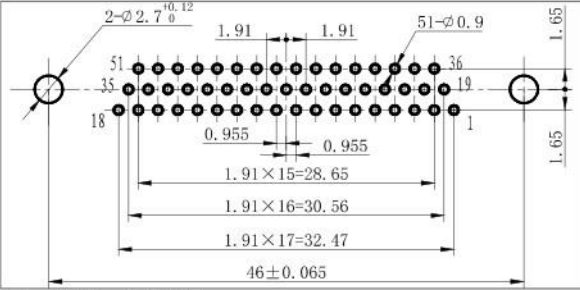
■ J29A-37TJN



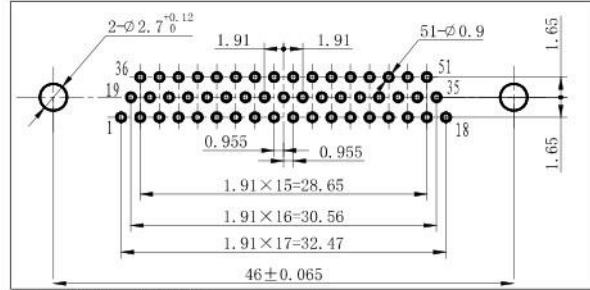
■ J29A-37ZKN



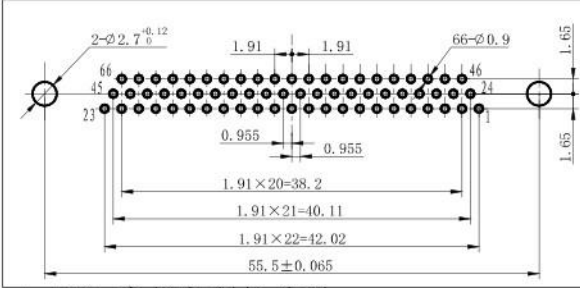
■ J29A-51TJN



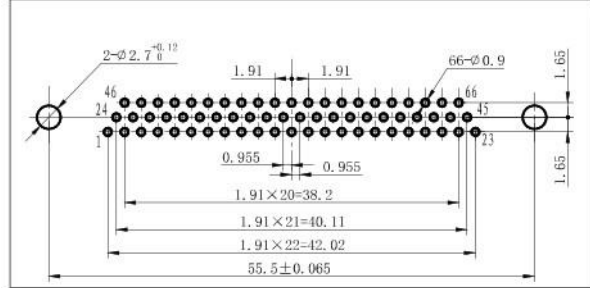
■ J29A-51ZKN



■ J29A-66TJN

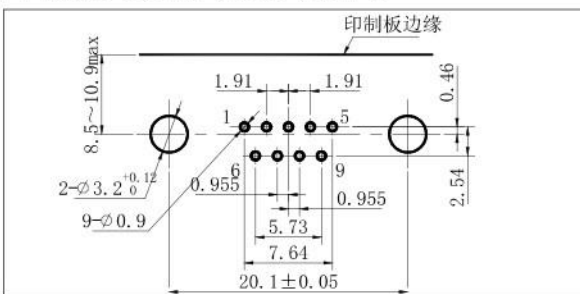


■ J29A-66ZKN

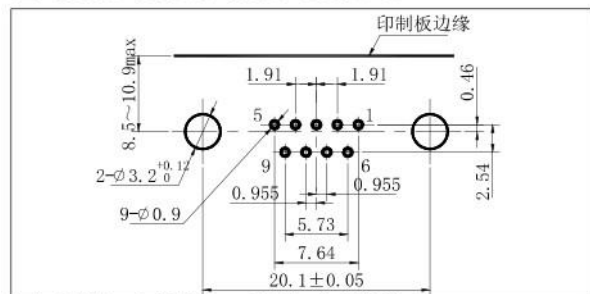


■ J29A 弯插印制板系列

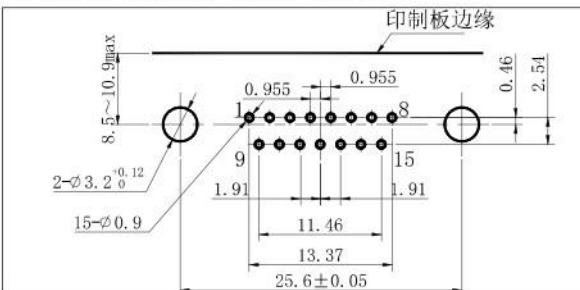
■ J29A-9TJW、J29A-9TJW-A



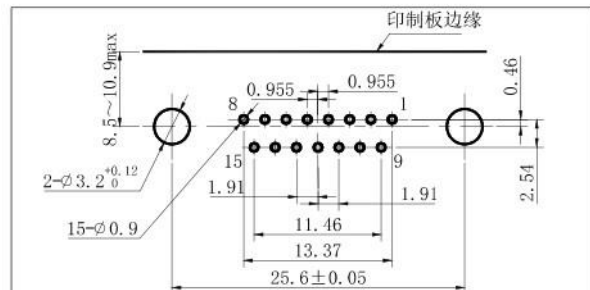
■ J29A-9ZKW、J29A-9ZKW-A



■ J29A-15TJW、J29A-15TJW-A



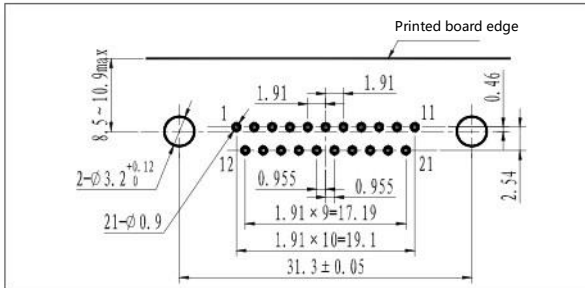
■ J29A-15ZKW、J29A-15ZKW-A



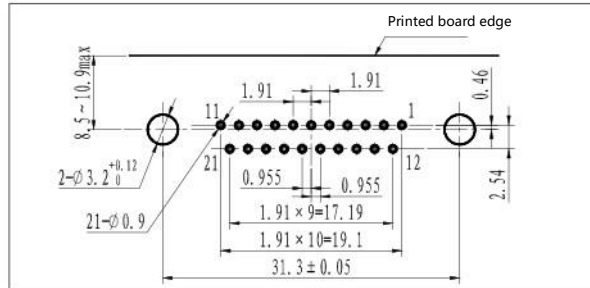
J29A series miniature rectangular electrical connectors

J29A series micro rectangular electrical connector printed board opening size \J29A-N series &J29A-W series

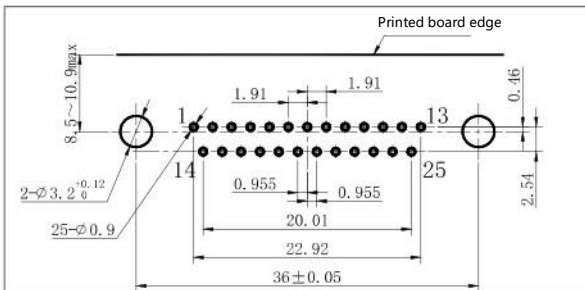
■ J29A-21TJW、J29A-21TJW-A



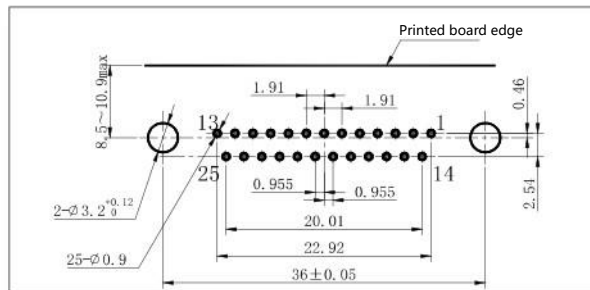
■ J29A-21ZKW、J29A-21ZKW-A



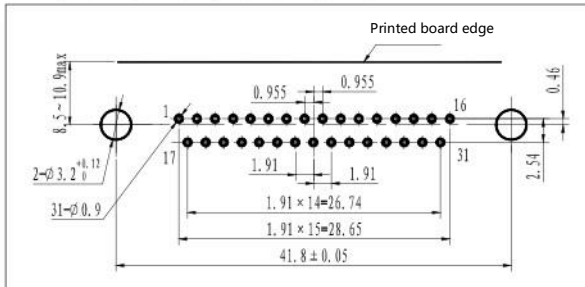
■ J29A-25TJW、J29A-25TJW-A



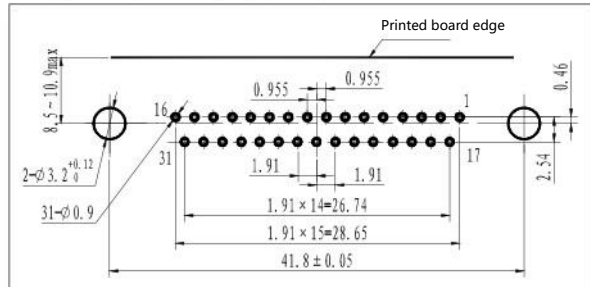
■ J29A-25ZKW、J29A-25ZKW-A



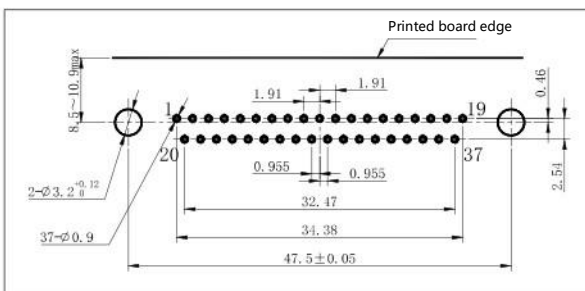
■ J29A-31TJW、J29A-31TJW-A



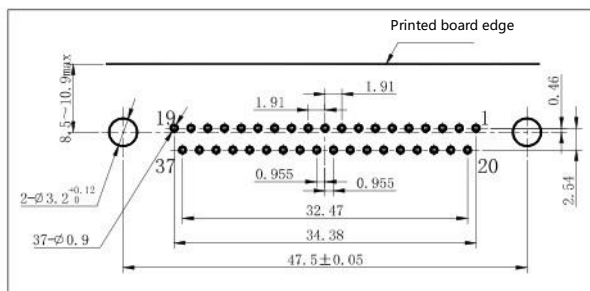
■ J29A-31ZKW、J29A-31ZKW-A



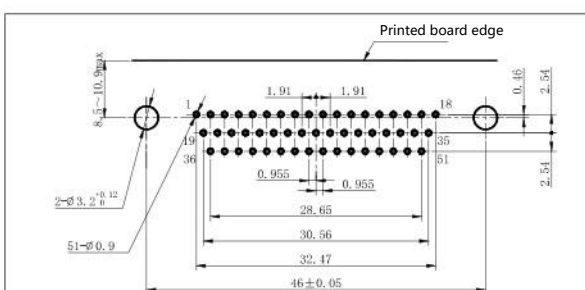
■ J29A-37TJW、J29A-37TJW-A



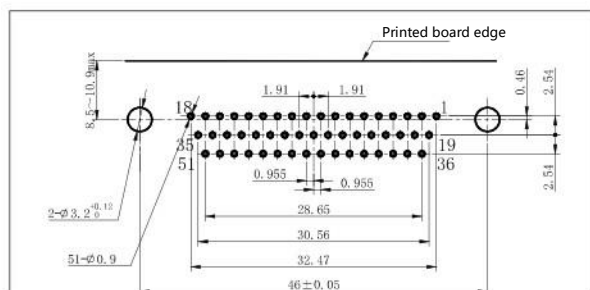
■ J29A-37ZKW、J29A-37ZKW-A



■ J29A-51TJW、J29A-51TJW-A

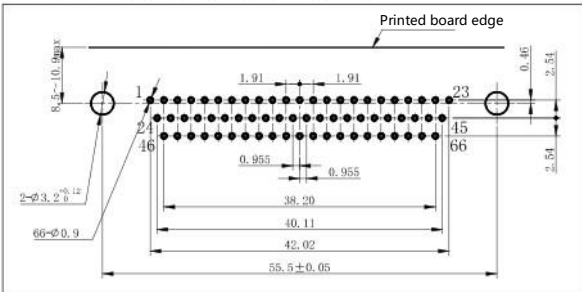


■ J29A-51ZKW、J29A-51ZKW-A

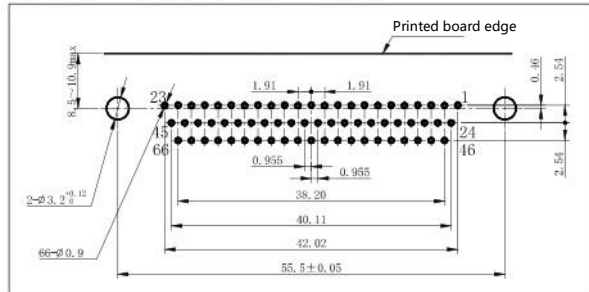


J29A series miniature rectangular electrical connectors

■ J29A-66TJW、J29A-66TJW-A



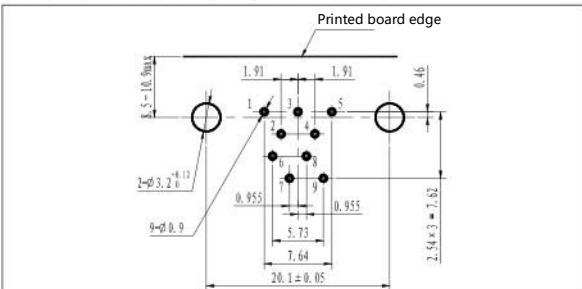
■ J29A-66ZKW、J29A-66ZKW-A



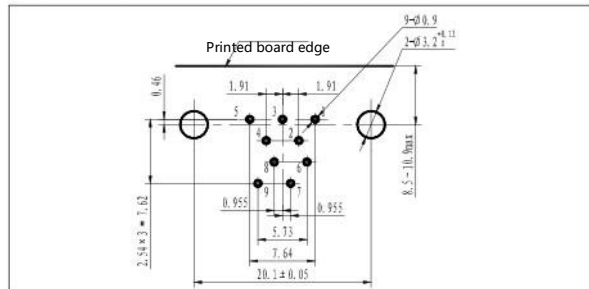
J29A series micro rectangular electrical connector printed board opening size \J29A-WI series

■ J29A curved PCB WI series

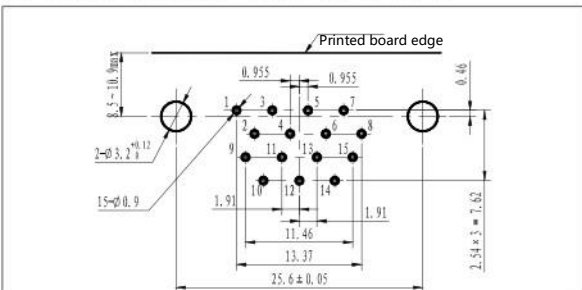
■ J29A-9TJWI、J29A-9TJWI-A



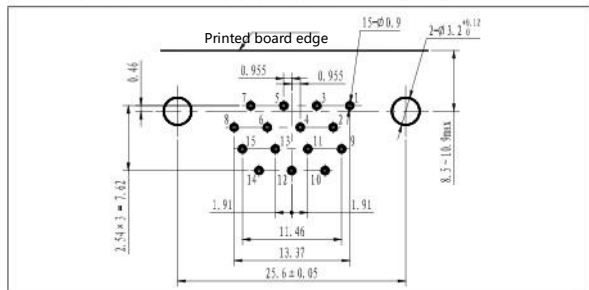
■ J29A-9ZKWI、J29A-9ZKWI-A



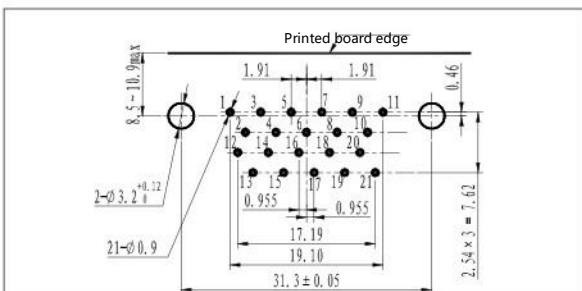
■ J29A-15TJWI、J29A-15TJWI-A



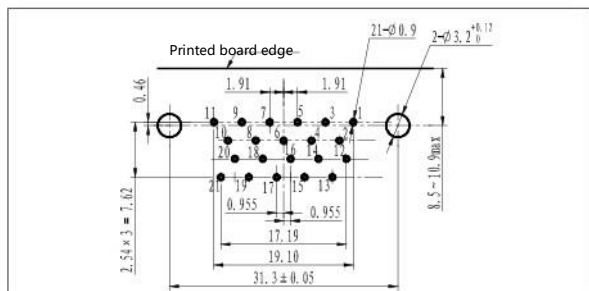
■ J29A-15ZKWI、J29A-15ZKWI-A



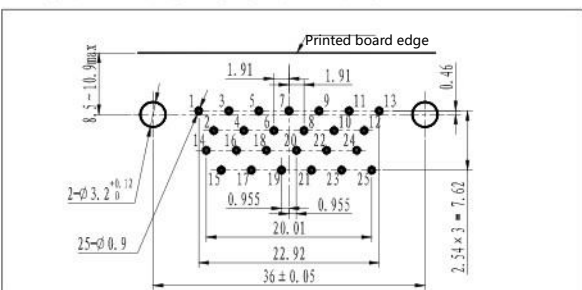
■ J29A-21TJWI、J29A-21TJWI-A



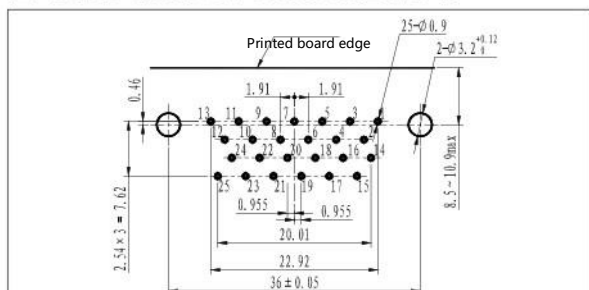
■ J29A-21ZKWI、J29A-21ZKWI-A



■ J29A-25TJWI、J29A-25TJWI-A



■ J29A-25ZKWI、J29A-25ZKWI-A

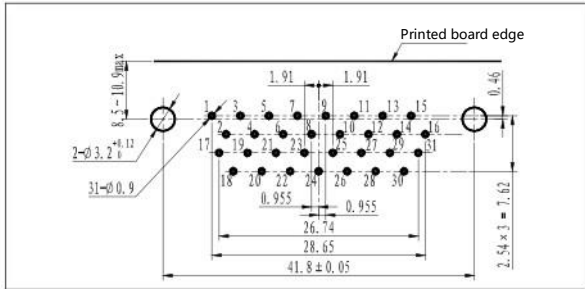


J29A series miniature rectangular electrical connectors

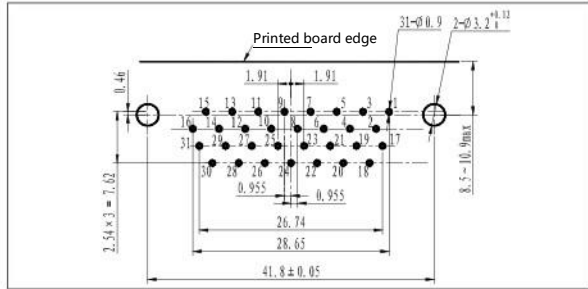
J29A series micro rectangular electrical connector printed board opening size \J29A-WI series

■ J29A curved PCB WI series

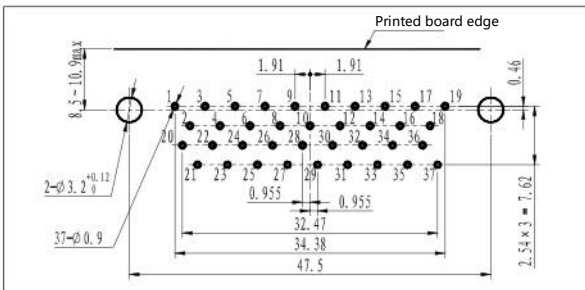
■ J29A-31TJWI、J29A-31TJWI-A



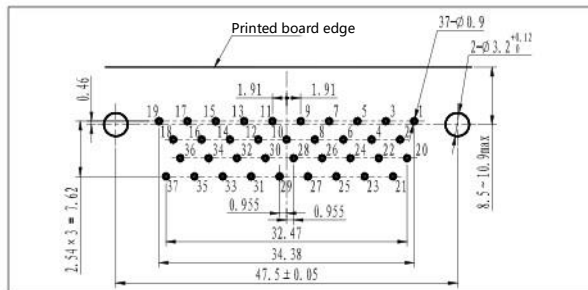
■ J29A-31ZKWI、J29A-31ZKWI-A



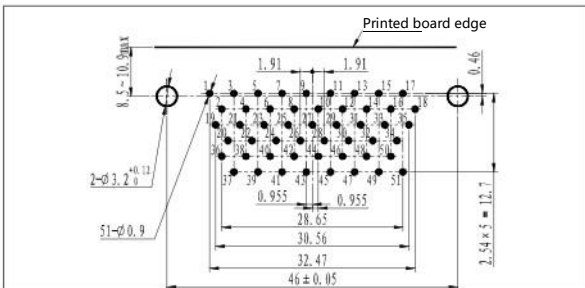
■ J29A-37TJWI、J29A-37TJWI-A



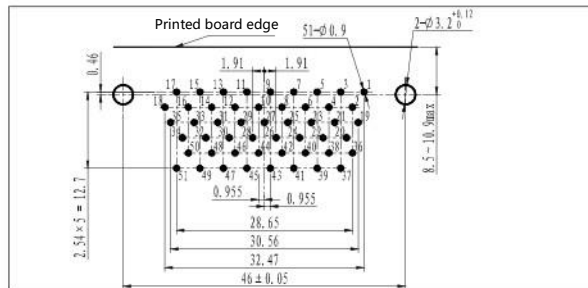
■ J29A-37ZKWI、J29A-37ZKWI-A



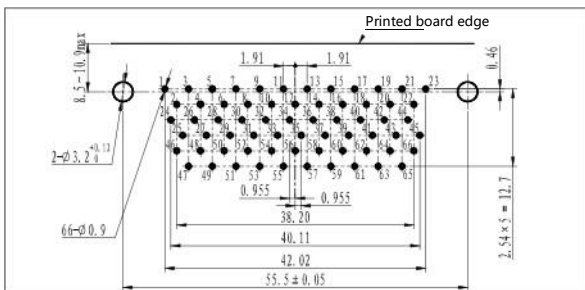
■ J29A-51TJWI、J29A-51TJWI-A



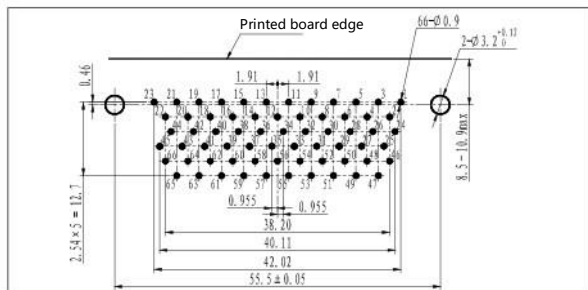
■ J29A-51ZKWI、J29A-51ZKWI-A



■ J29A-66TJWI、J29A-66TJWI-A



■ J29A-66ZKWI、J29A-66ZKWI-A



J24H series micro rectangular electrical connector

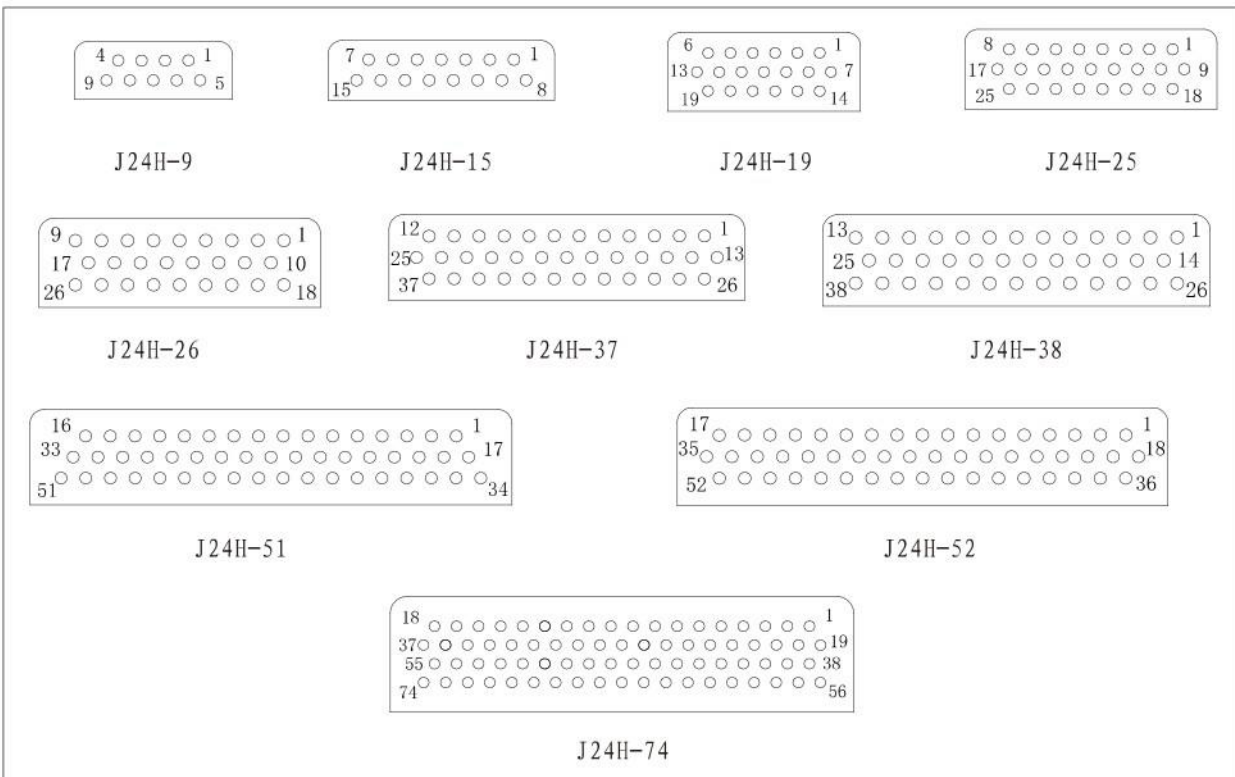
Brief introduction of characteristics

- Number of cores: There are 9, 15, 19, 25, 26, 37, 38, 51, 52, 74 core ten specifications
- This series of products adopts twisted elastic needle (twist needle), reliable contact.
- The end of the contact part is a crimp type product, and the cross-sectional area of the crimp wire ranges from 0.12mm² to 0.2mm²
- Metal shielded housing with wire clamps and quick locking device
General specification: GJB2446-1995

Technical characteristics

- Ambient temperature: -55 °C ~ +125 °C
- Relative humidity: +40 °C up to 98%
- Low pressure: 4kPa
- Impact: 980M/S²
- Oscillate: 10HZ~2000HZ 196M/S²
- Contact resistance: ≤10mΩ
- Random vibration: Power spectral density 0.4G²/Hz total speed root mean square value of 23.1G
- Insulation resistance: 9/19/25/37/52/74 core ≥ 1000MΩ; 15/26/38/51 cores ≥ 5000MΩ Medium
- Voltage: 9/19/25/37/52/74 core 800V; 15/26/38/51 core 1000V
- Mechanical life: 1000 times
- Rated current: 3A

Spectral arrangement

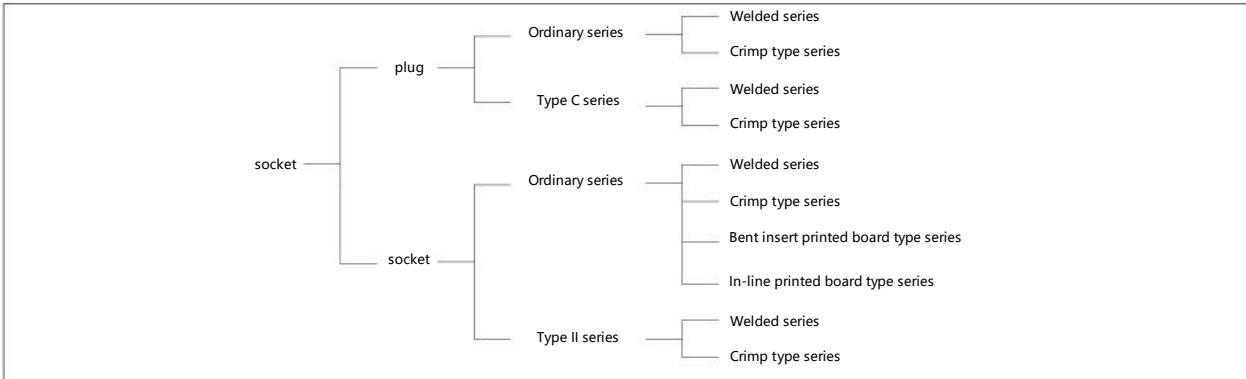


Note: View from the socket to the connector

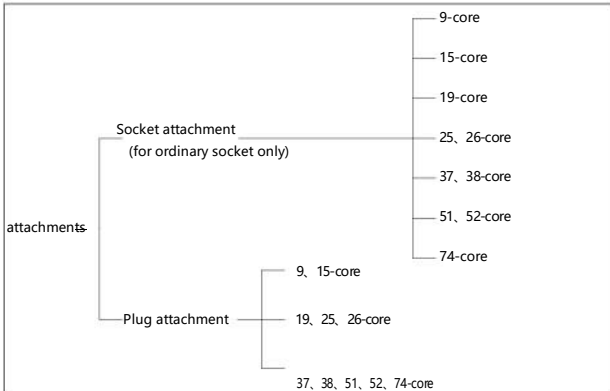
J24H series micro rectangular electrical connector

Product family tree

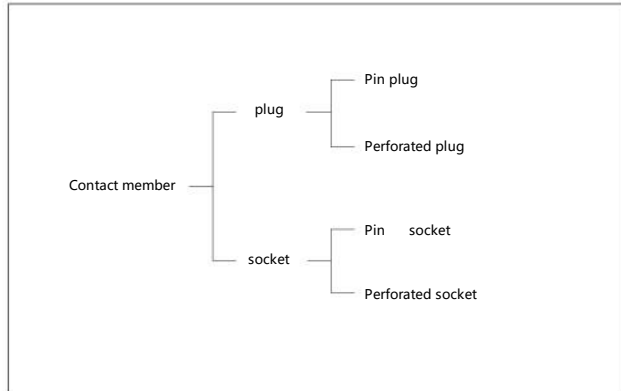
socket



attachments



Contact type



Instructions:As shown above, when the user selects the J24H series, if any accessories are required, they must be stated in the contract, but the socket accessories can only be matched with the ordinary series socket.

Order mark

Plug order mark

J24H - × T × × - × (Annex description)
 ① ② ③ ④ ⑤ ⑥

- ① Main name: J24H
- ② Number of contact parts: 9, 15, 19, 25, 26, 37, 38, 51, 52, 74
- ③ Connector type: T-plug;
- ④ Contact type: J-pin; K- Jack
- ⑤ Contact end connection form: no marking - crimpingH - welding Plug
- ⑥ form:No logo - Normal type C - Type C

Note: Additional instructions are not part of the order mark. If customers choose crimped products, please indicate the specifications of crimped wires in brackets, such as: cross-sectional area of wires,Length and color, etc. If the connection relationship is complicated, please provide the connection relationship table.

Flag example

J24H-9TJ-C (Additional instructions)

The above mark indicates that the number of contacts is 9, the contact type is pin, and the contact end form is crimped J24H-C plug. (Additional instructions: cross-sectional area, length and color of wire, etc.)

J24H series micro rectangular electrical connector

Order mark

■ Socket order mark

J24H × - × Z × × (Additional note)
 ① ② ③ ④ ⑤ ⑥

- ① Main name: J24H
- ② Socket type: No mark - ordinary type II - II type
- ③ Number of contact parts: 9, 15, 19, 25, 26, 37, 38, 51, 52, 74
- ④ Connector type: Z-socket;
- ⑤ Contact type: J-pin; K- Jack
- ⑥ Contact end connection form: no marking - crimping H - welding N - In-line printed board W - curved insert printed board

Note: Additional instructions are not part of the order mark, if the customer chooses the crimped form of the product, please indicate the crimped wire specifications in brackets such as: cross-sectional area, length and color of the wire. If the connection relationship is complicated, please provide the connection relationship table.

J24H II -9ZKH

The above mark indicates that the number of contacts is 9, the contact type is jack, and the contact end form is welded J24H II socket J24H Plug series J24H ordinary type plug

Features: The locking mechanism of the product is push forward to lock, pull back to unlock.

■ Crimp plug

- J24H-9、15、19、25、26、37、38、51、52、74TJ
- J24H-9、15、19、25、26、37、38、51、52、74TK

■ Welded plug

- J24H-9、15、19、25、26、37、38、51、52、74TJH
- J24H-9、15、19、25、26、37、38、51、52、74TKH

Product stereogram



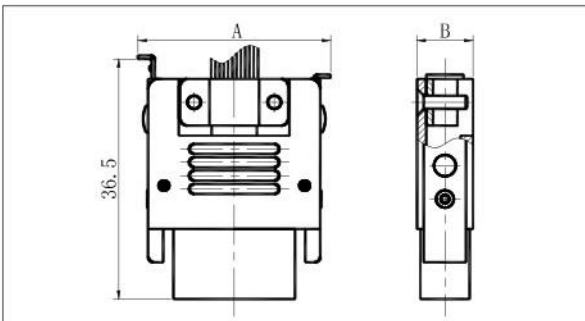
J24H-26TJ ×

Product stereogram

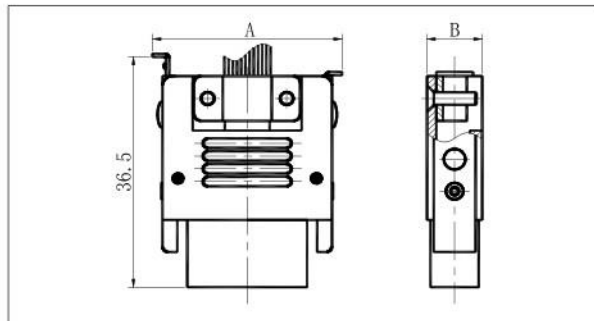


J24H-38TK ×

Product dimensions drawing



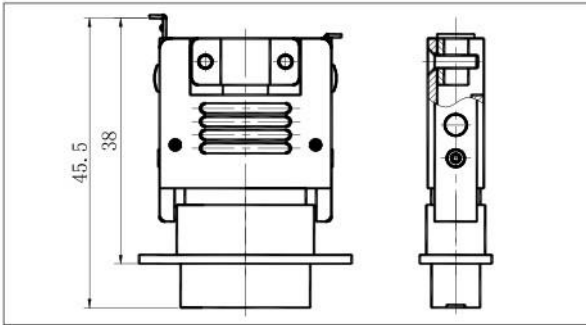
Product dimensions drawing



Order mark	A	B	Order mark	A	B
J24H-9TJ/TK/ TJH/TKH	24.2	8	J24H-37TJ/TK/ TJH/TKH	38.2	10
J24H-15TJ/TK/ TJH/TKH	29.2	8	J24H-38TJ/TK/ TJH/TKH	38.2	10
J24H-19TJ/TK/ TJH/TKH	28.2	10	J24H-51TJ/TK/ TJH/TKH	47.2	10
J24H-25TJ/TK/ TJH/TKH	31.6	10	J24H-52TJ/TK/ TJH/TKH	47.2	10
J24H-26TJ/TK/ TJH/TKH	31.6	10	J24H-74TJ/TK/ TJH/TKH	49.2	11.6

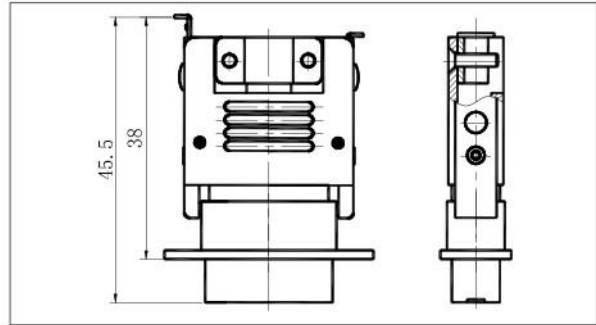
J24H series micro rectangular electrical connector

Product appearance after docking



J24H-□TXX and J24H-□ZXX Butt joint

Product appearance after docking



J24H-□TXX and J24H-□ZXX Butt joint

J24H Plug series \J24H-C type plug

Features: The locking mechanism of the product is rear pull lock, push forward to unlock.

■ Crimp socket

■ J24H-9、15、19、25、26、37、38、51、52、74TJ-C

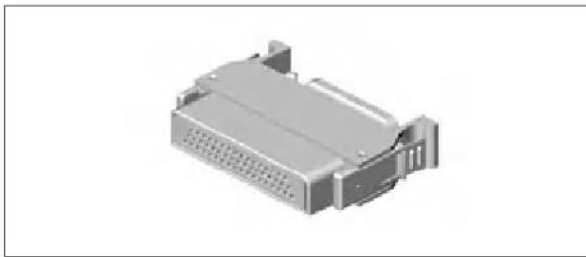
■ J24H-9、15、19、25、26、37、38、51、52、74TK-C

■ Welded socket

■ J24H-9、15、19、25、26、37、38、51、52、74TJH-C

■ J24H-9、15、19、25、26、37、38、51、52、74TKH-C

Product stereogram



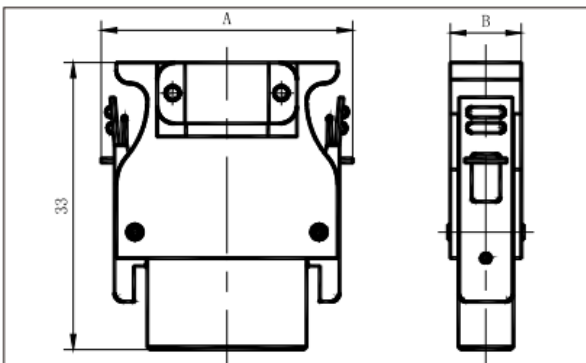
J24H-51TJ × -C

Product stereogram

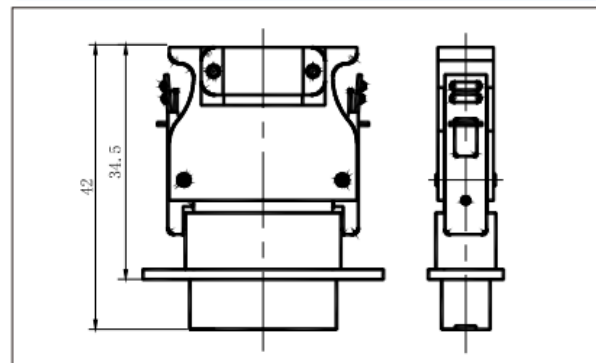


J24H-74TK × -C

Product dimensions drawing



Product appearance after docking



Order mark	A	B	Order mark	A	B
J24H-9TJ-C/TK-C/ TJH-C/TKH-C	25	8	J24H-37TJ-C/TK-C/ TJH-C/TKH-C	40	10
J24H-15TJ-C/TK-C/ TJH-C/TKH-C	30	8	J24H-38TJ-C/TK-C/ TJH-C/TKH-C	40	10
J24H-19TJ-C/TK-C/ TJH-C/TKH-C	29	10	J24H-51TJ-C/TK-C/ TJH-C/TKH-C	49	10
J24H-25TJ-C/TK-C/ TJH-C/TKH-C	33	10	J24H-52TJ-C/TK-C/ TJH-C/TKH-C	49	10
J24H-26TJ-C/TK-C/ TJH-C/TKH-C	33	10	J24H-74TJ-C/TK-C/ TJH-C/TKH-C	51	11.6

J24H series micro rectangular electrical connector

J24H series micro rectangular electrical connector

Features: The product is installed in front of the board

■ Crimp socket

■ J24H-9、15、19、25、26、37、38、51、52、74ZK

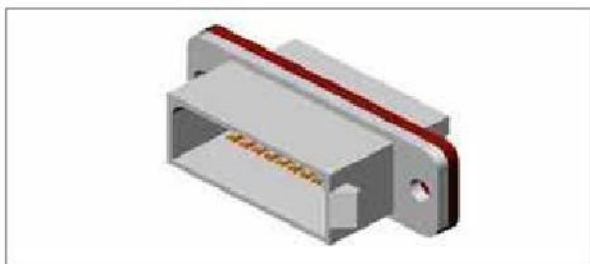
■ J24H-9、15、19、25、26、37、38、51、52、74ZJ

■ Welded socket

■ J24H-9、15、19、25、26、37、38、51、52、74ZKH

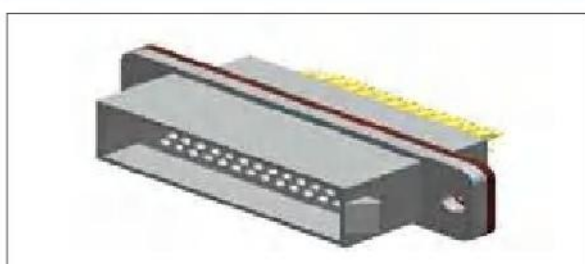
■ J24H-9、15、19、25、26、37、38、51、52、74ZJH

Product stereogram



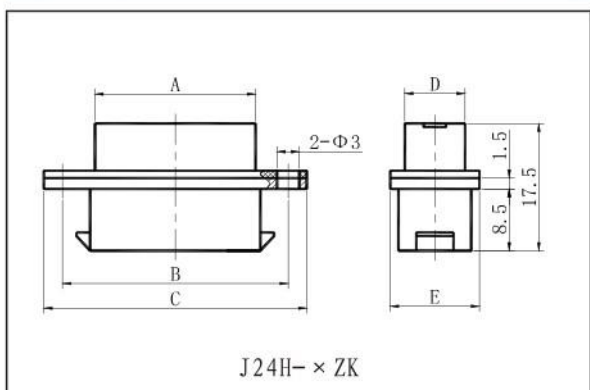
J24H-26ZK

Product stereogram

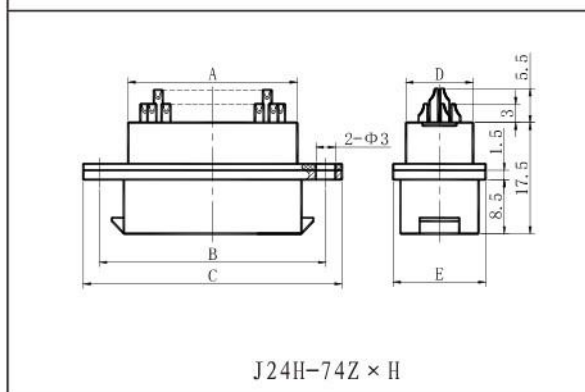
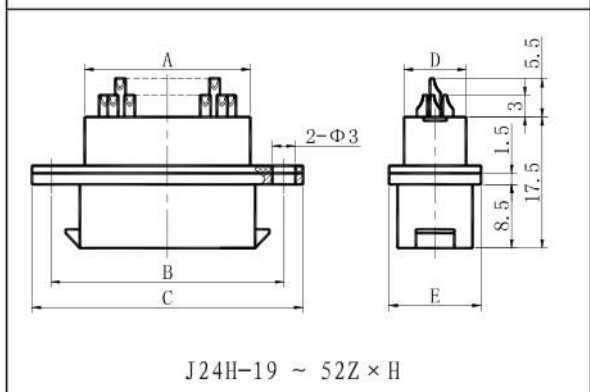
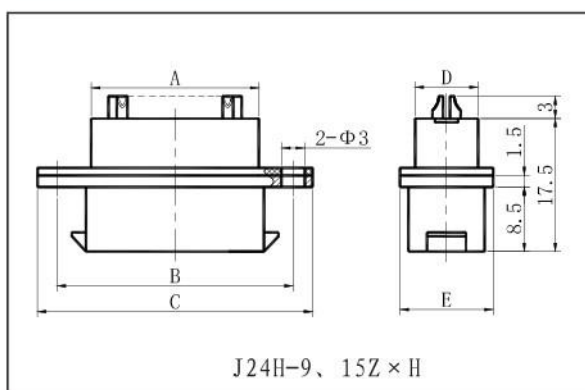


J24H-26ZJH

Product dimensions drawing



Product dimensions drawing



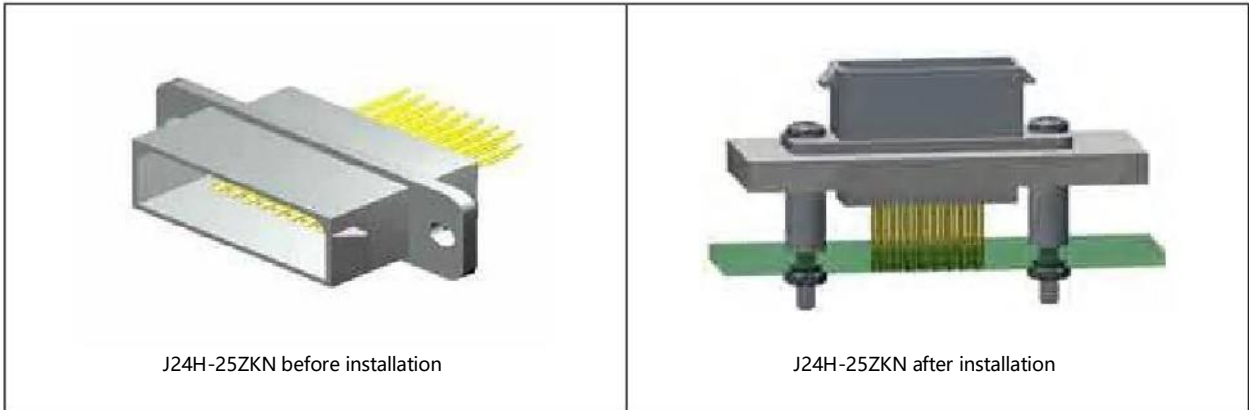
Order mark	A	B	C	D	E	Order mark	A	B	C	D	E
J24H-9ZJ/ZK/ZJH/ZKH	14.2	23	28	5.6	10	J24H-37ZJ/ZK/ZJH/ZKH	28.2	37	42	8.1	12
J24H-15ZJ/ZK/ZJH/ZKH	19.4	29	34	5.6	10	J24H-38ZJ/ZK/ZJH/ZKH	28.2	37	42	8.1	12
J24H-19ZJ/ZK/ZJH/ZKH	18.2	27	32	8.1	12	J24H-51ZJ/ZK/ZJH/ZKH	37.2	46	51	8.1	12
J24H-25ZJ/ZK/ZJH/ZKH	21.6	30.4	35.4	8.1	12	J24H-52ZJ/ZK/ZJH/ZKH	37.2	46	51	8.1	12
J24H-26ZJ/ZK/ZJH/ZKH	21.6	30.4	35.4	8.1	12	J24H-74ZJ/ZK/ZJH/ZKH	39.2	48	53	9.7	14

J24H series micro rectangular electrical connector

J24H socket series \J24H live printed board type socket

The end of the connector is welded to the printed board, and the mesh size of the printed board is 1.47mm x 1.7mm. Can be used with J24D, J24H series product plugs.

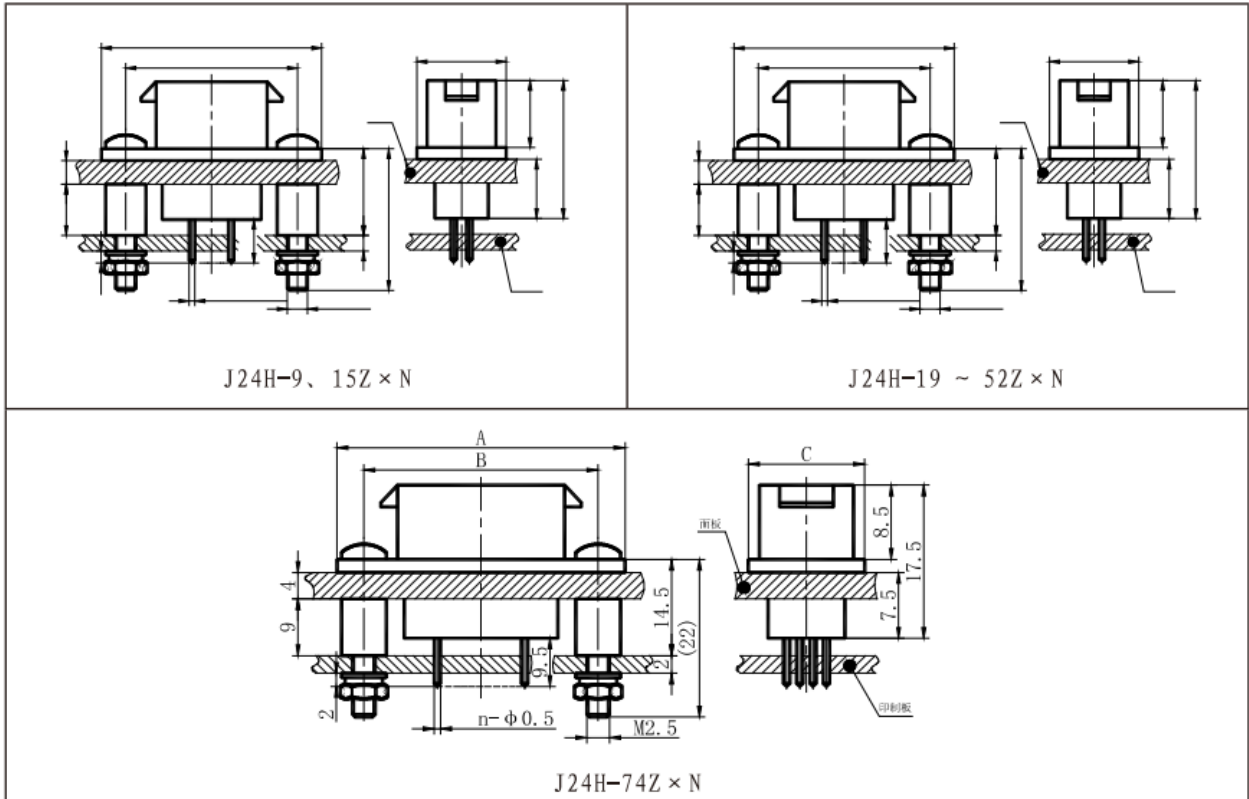
Product stereogram



J24H-25ZKN before installation

J24H-25ZKN after installation

Product dimensions drawing



J24H-9、15Z × N

J24H-19 ~ 52Z × N

J24H-74Z × N

Order mark	A	B	C	Order mark	A	B	C
J24H-9ZKN/ZJN	28	23	10	J24H-37ZKN/ZJN	42	37	12
J24H-15ZKN/ZJN	34	29	10	J24H-38ZKN/ZJN	42	37	12
J24H-19ZKN/ZJN	32	27	12	J24H-51ZKN/ZJN	51	46	12
J24H-25ZKN/ZJN	35.4	30.4	12	J24H-52ZKN/ZJN	51	46	12
J24H-26ZKN/ZJN	35.4	30.4	12	J24H-74ZKN/ZJN	53	48	14

J24H series micro rectangular electrical connector

J24H socket Series \J24H Type II socket

Features: The installation mode of the product is post-board installation.

■ Crimp socket

■ J24H II -9、15、19、25、26、37、38、51、52、74ZK

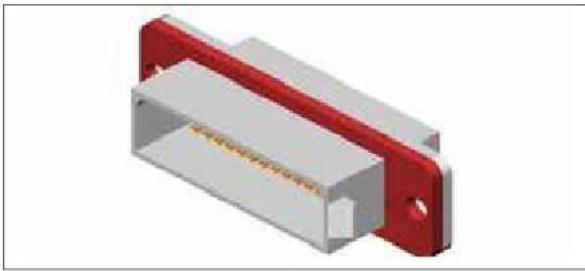
■ J24H II -9、15、19、25、26、37、38、51、52、74ZJ

■ Welded socket

■ J24H II -9、15、19、25、26、37、38、51、52、74ZKH

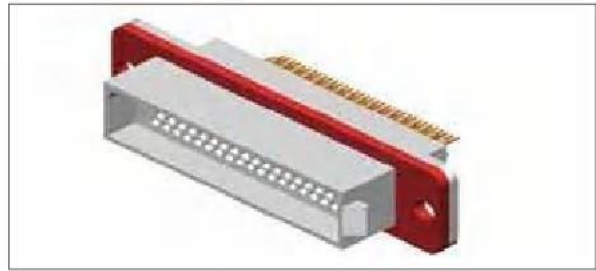
■ J24H II -9、15、19、25、26、37、38、51、52、74ZJH

Product stereogram



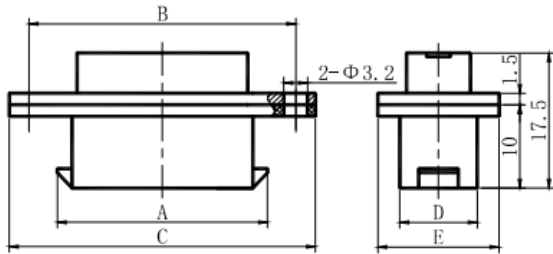
J24H II -38ZK

Product stereogram

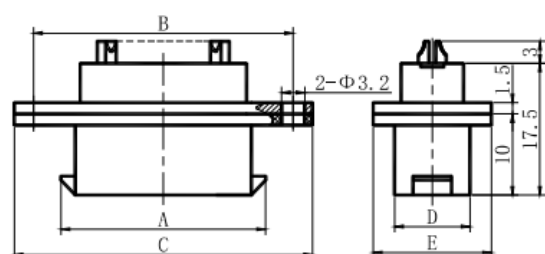


J24H II -51ZJH

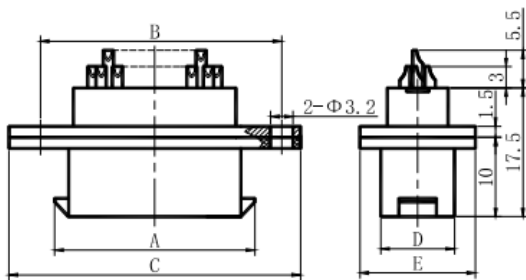
Product dimensions drawing



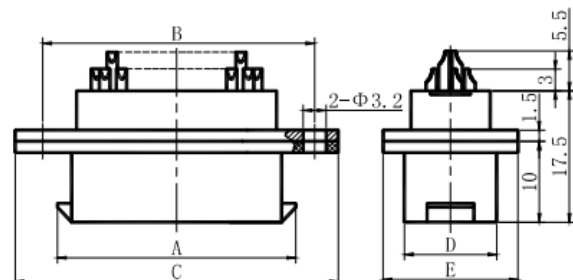
J24H II - □ Z ×



J24H II -9、15Z × H



J24H II -19 ~ 52Z × H



J24H II -74Z × H

Order mark	A	B	C	D	E	Order mark	A	B	C	D	E
J24H II -9ZJ/ZK/ZJH/ZKH	19.3	25.2	30.2	7.5	11.5	J24H II -37ZJ/ZK/ZJH/ZKH	33.3	39	44	9.8	14
J24H II -15ZJ/ZK/ZJH/ZKH	24.3	31.2	36.2	7.5	11.5	J24H II -38ZJ/ZK/ZJH/ZKH	33.3	39	44	9.8	14
J24H II -19ZJ/ZK/ZJH/ZKH	23.2	29.2	34.2	9.8	14	J24H II -51ZJ/ZK/ZJH/ZKH	42.2	48	53	9.8	14
J24H II -25ZJ/ZK/ZJH/ZKH	26.7	32.5	37.5	9.8	14	J24H II -52ZJ/ZK/ZJH/ZKH	42.2	48	53	9.8	14
J24H II -26ZJ/ZK/ZJH/ZKH	26.7	32.5	37.5	9.8	14	J24H II -74ZJ/ZK/ZJH/ZKH	44.3	50	55	11.8	16

J24H series micro rectangular electrical connector

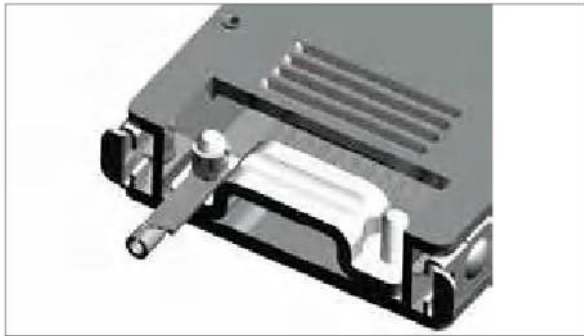
J24H Accessories series \J24H plug accessories series

This accessory is suitable for shielded cable products with grounding requirements in the J24H plug. The accessory comprises ground lug, nut, GB848 washer, GB93 washer.

■ Installed on the J24H normal model

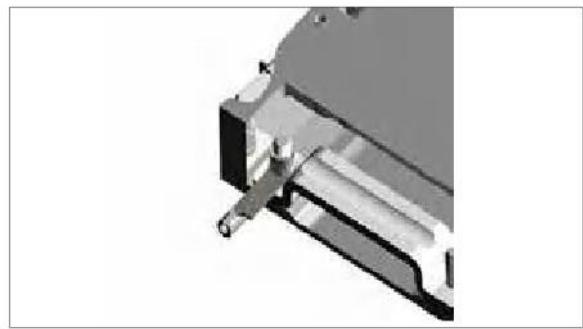
■ Installed on type J24H-C

Product stereogram



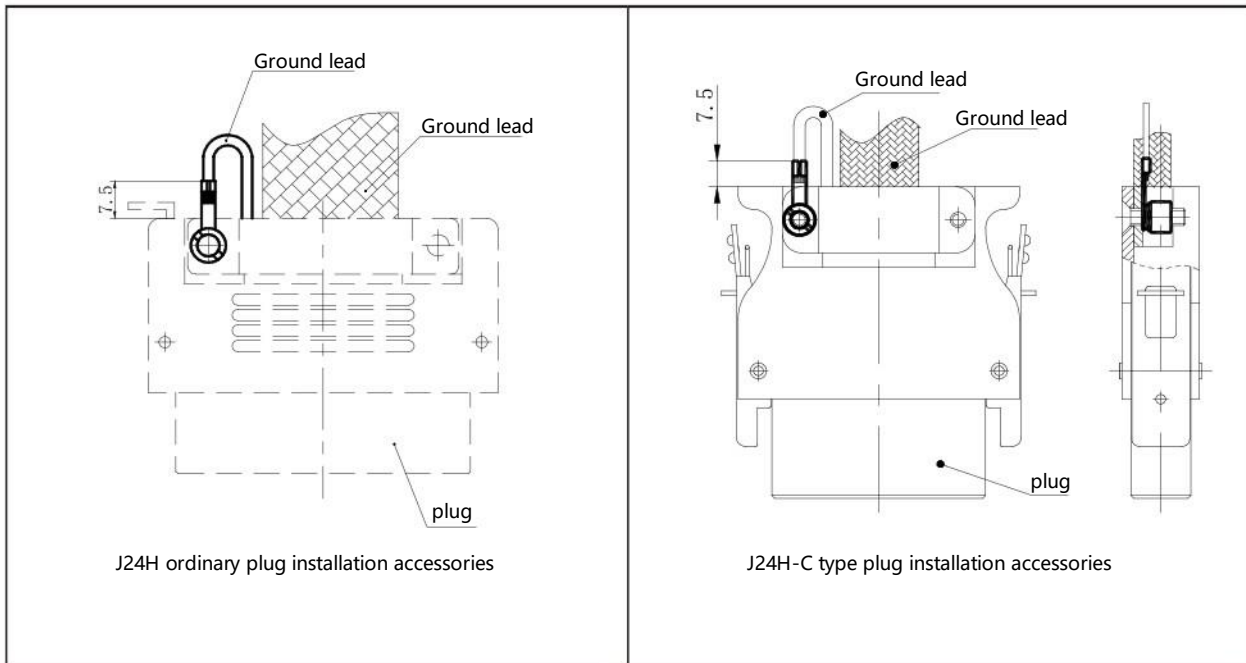
J24H-□TXX Accessory installation drawing

Product stereogram



J24H-□TXX-C Accessory installation drawing

Product accessories installation diagram



Order mark	Number of cores
Ln6. 621. 009	9, 15 cores
Ln6. 621. 010	19, 25, 26 cores
Ln6. 621. 011	37, 38, 51, 52, 74 cores

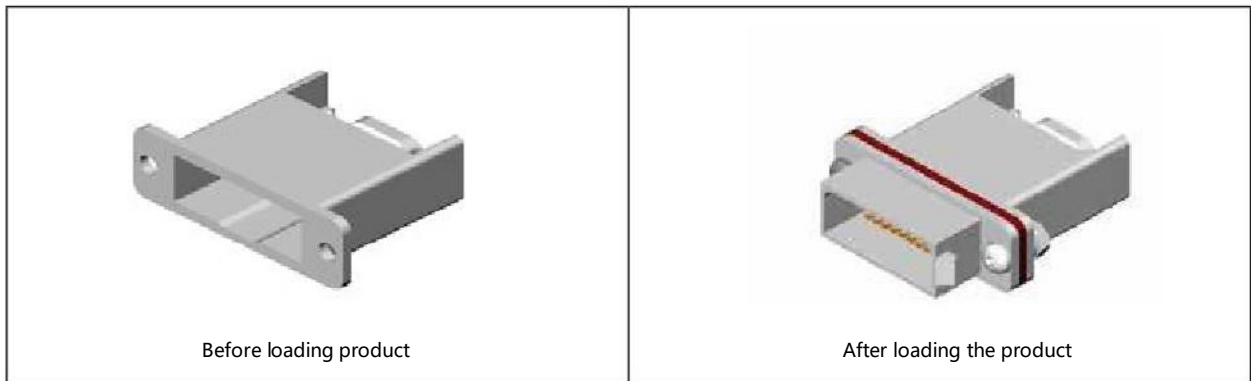
J24H series micro rectangular electrical connector

J24H accessories series \J24H socket accessories series

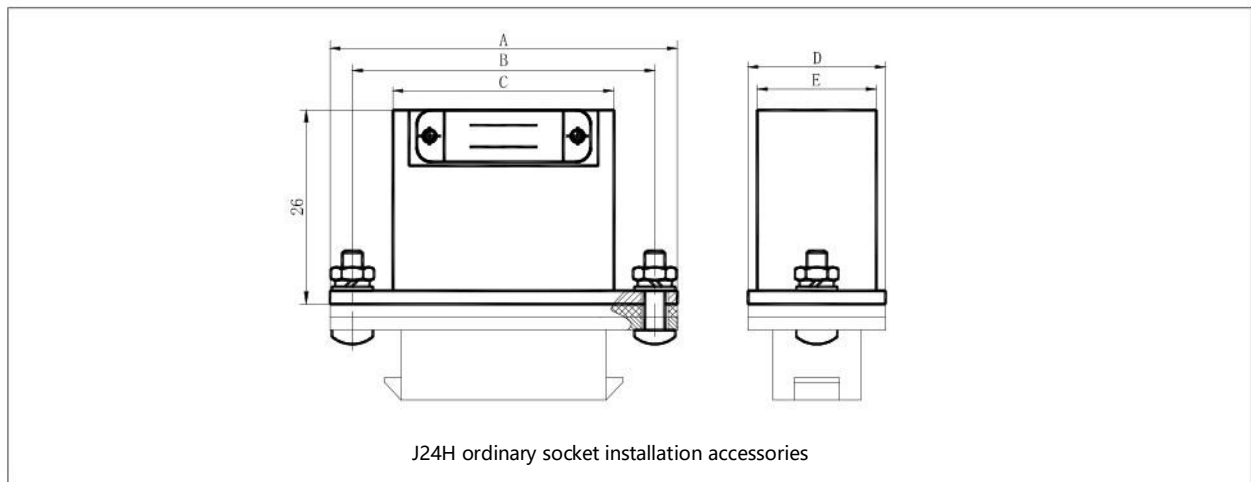
The accessory is suitable for J24H ordinary socket series.

The accessory comprises a tail cover, screws, nuts and washers.

Product stereogram



Product accessories installation diagram



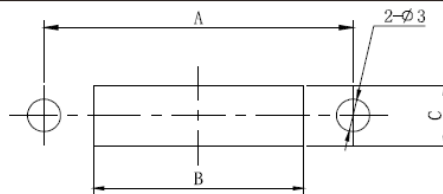
J24H ordinary socket installation accessories

Order mark	A	B	C	D	E	Number of cores
Ln6. 430. 060	28	23	17. 2	10	7. 9	9-core
Lk6. 430. 074	34	29	22. 3	10	7. 9	15-core
Ln6. 430. 061	32	27	21. 2	12	11. 1	19-core
Ln6. 430. 062	35. 4	30. 4	24. 6	12	11. 1	25, 26 cores
Ln6. 430. 063	42	37	31. 2	12	11. 3	37, 38 cores
Ln6. 430. 064	51	46	40. 2	12	11. 3	51, 52 cores
Ln6. 430. 065	53	48	42. 2	14	12. 9	74 core

J24H series micro rectangular electrical connector

J24H series product mounting hole size

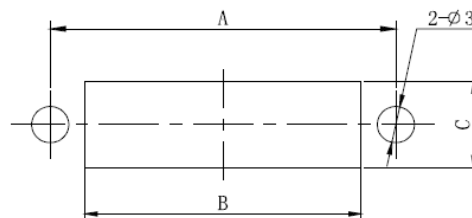
J24H ordinary type without tail cover fitting front mounting hole size of socket board



Mounting hole dimensions of crimped and welded sockets

Order mark	A	B	C	Order mark	A	B	C
J24H-9ZJ/ZK/ZJH/ZKH	23	14.4	5.8	J24H-37ZJ/ZK/ZJH/ZKH	37	28.4	8.3
J24H-15ZJ/ZK/ZJH/ZKH	29	19.6	5.8	J24H-38ZJ/ZK/ZJH/ZKH	37	28.4	8.3
J24H-19ZJ/ZK/ZJH/ZKH	27	18.4	8.3	J24H-51ZJ/ZK/ZJH/ZKH	46	37.4	8.3
J24H-25ZJ/ZK/ZJH/ZKH	30.4	21.8	8.3	J24H-52ZJ/ZK/ZJH/ZKH	46	37.4	8.3
J24H-26ZJ/ZK/ZJH/ZKH	30.4	21.8	8.3	J24H-74ZJ/ZK/ZJH/ZKH	48	39.4	9.9

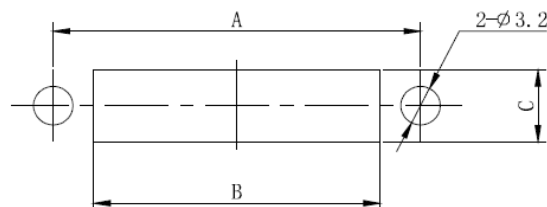
J24H common type with tail cover fitting, front mounting hole size of socket board



Mounting hole dimensions of crimped and welded sockets

Order mark	A	B	C	Order mark	A	B	C
J24H-9ZJ/ZK/ZJH/ZKH	23	17.4	8.1	J24H-37ZJ/ZK/ZJH/ZKH	37	31.4	11.5
J24H-15ZJ/ZK/ZJH/ZKH	29	22.5	8.1	J24H-38ZJ/ZK/ZJH/ZKH	37	31.4	11.5
J24H-19ZJ/ZK/ZJH/ZKH	27	21.4	11.3	J24H-51ZJ/ZK/ZJH/ZKH	46	40.4	11.5
J24H-25ZJ/ZK/ZJH/ZKH	30.4	24.8	11.3	J24H-52ZJ/ZK/ZJH/ZKH	46	40.4	11.5
J24H-26ZJ/ZK/ZJH/ZKH	30.4	24.8	11.3	J24H-74ZJ/ZK/ZJH/ZKH	48	42.4	13.1

J24H II type socket board rear mounting hole dimensions



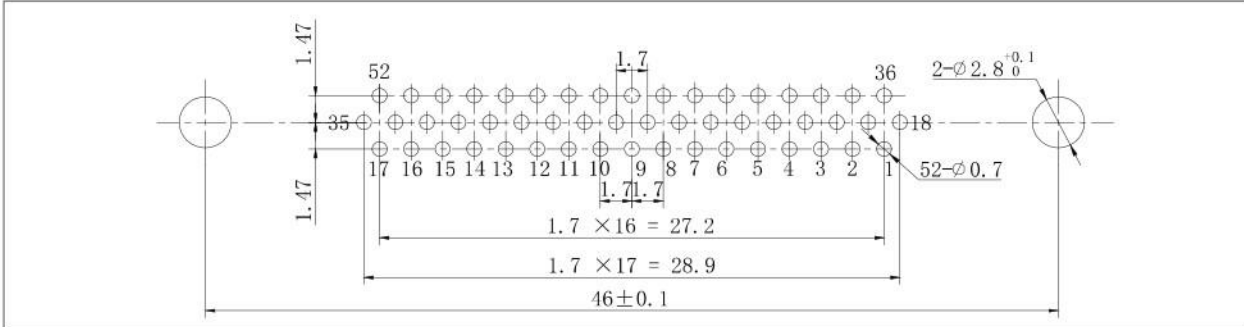
Crimp type socket mounting hole dimensions

Order mark	A	B	C	Order mark	A	B	C
J24H II -9ZJ/ZK/ZJH/ZKH	25.2	19.4	7.8	J24H II -37ZJ/ZK/ZJH/ZKH	39	33.4	10
J24H II -15ZJ/ZK/ZJH/ZKH	31.2	25.4	7.8	J24H II -38ZJ/ZK/ZJH/ZKH	39	33.4	10
J24H II -19ZJ/ZK/ZJH/ZKH	29.2	23.4	10	J24H II -51ZJ/ZK/ZJH/ZKH	48	42.4	10
J24H II -25ZJ/ZK/ZJH/ZKH	32.5	26.8	10	J24H II -52ZJ/ZK/ZJH/ZKH	48	42.4	10
J24H II -26ZJ/ZK/ZJH/ZKH	32.5	26.8	10	J24H II -74ZJ/ZK/ZJH/ZKH	50	44.4	12

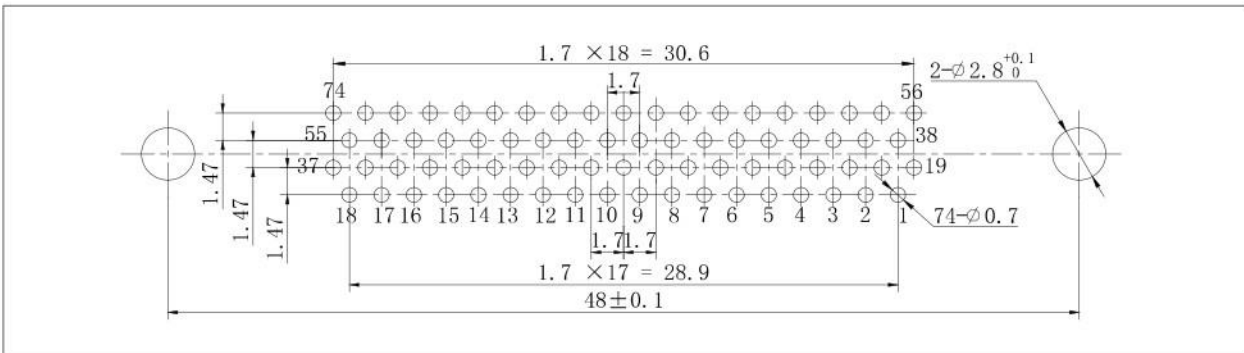
J24H series micro rectangular electrical connector

- J24H series products printed board opening size
- J24H live printed board socket opening size

■ J24H-52ZKN



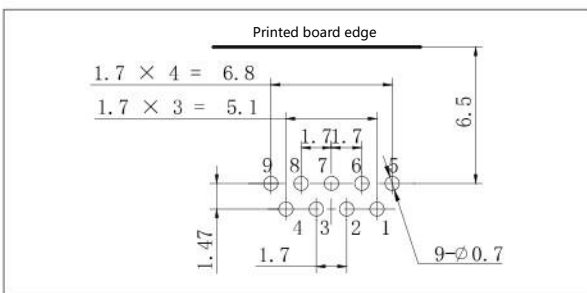
■ J24H-74ZKN



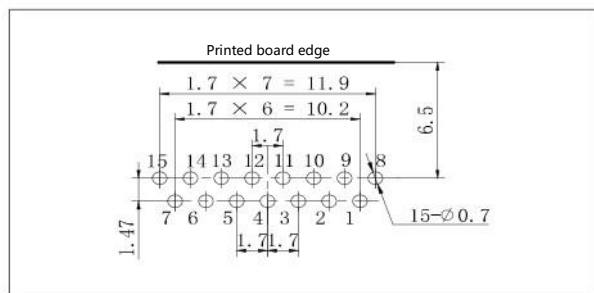
■ J24H curved insert printed board socket opening size

Note: The installation holes of J24H- □ZJW are identical to those of J24H- □ZKW, except that the hole serial number is mirrored (swapped) along the center line.

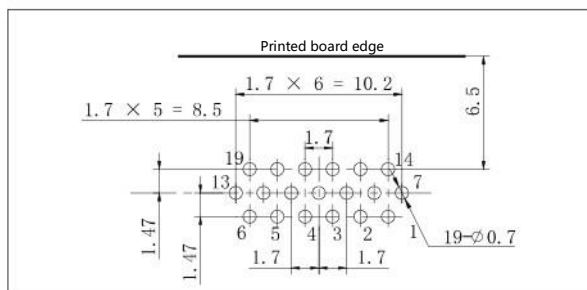
■ J24H-9ZKW



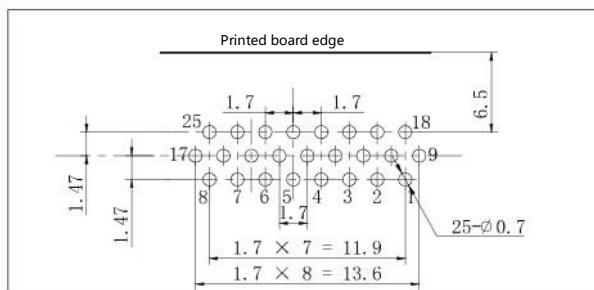
■ J24H-15ZKW



■ J24H-19ZKW



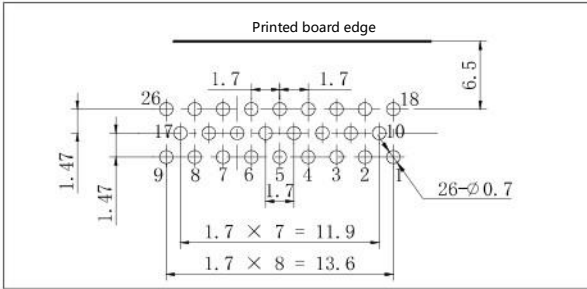
■ J24H-25ZKW



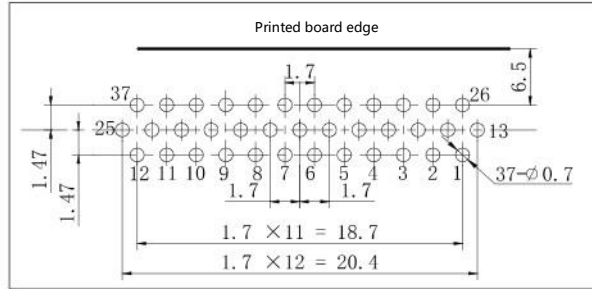
J24H series micro rectangular electrical connector

- J24H series product mounting hole size
- 24H curved insert printed board socket opening size

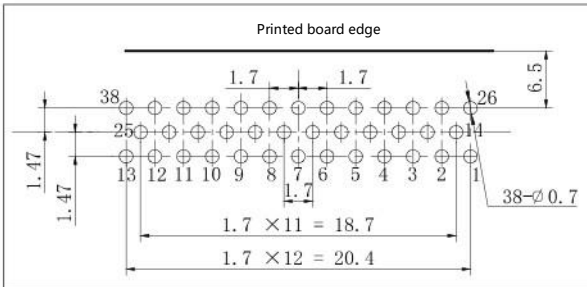
■ J24H-26ZKW



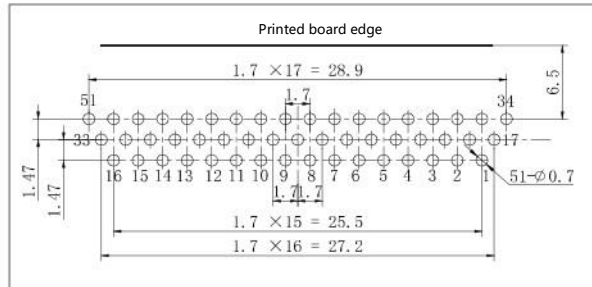
■ J24H-37ZKW



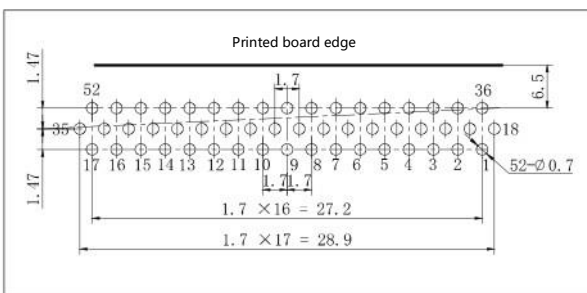
■ J24H-38ZKW



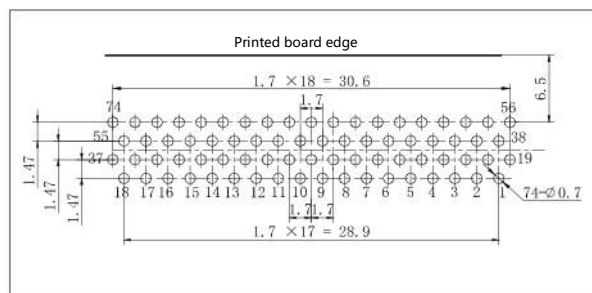
■ J24H-51ZKW



■ J24H-52ZKW



■ J24H-74ZKW



The J103 series buckle locks rectangular electrical connectors

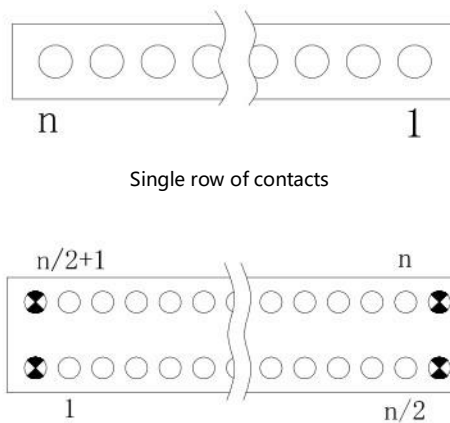
Brief introduction of characteristics

- The use of twisted wire elastic needle (commonly known as twist needle), small size The base material is PPS, which has good environmental resistance
- Conductor core cross-sectional area 0.1mm^2 to 0.15mm^2
- The locking component of this series of products is a strap locking type, and the locking accessories can be installed in different holes to achieve the anti-misinsertion function of the same product

Technical characteristics

- Ambient temperature: $-55^{\circ}\text{C}\sim+125^{\circ}\text{C}$
- Oscillate: $10\text{HZ}\sim 2000\text{HZ}$ 147M/S^2
- Impact: 735m/s^2 11ms
- Rated current: 3A
- Contact resistance: $\leq 10\text{m}\Omega$
- Insulation resistance: $\geq 5000\text{M}\Omega$
- Medium voltage: 600V
- Mechanical life: 500 cycles
- Engagement force and separation force: $\leq 2.8\text{N}\times n$ (n is the number of contacts)

Spectral arrangement



Note: View from plug butt end

The J103 series buckle locks rectangular electrical connectors

Order mark

Single row side locking electrical connectors:

J103 - × × × × SY× (Additional note)
 ① ② ③ ④ ⑤ ⑥

- ① Name Code: J103
- ② Number of contacts: 2 ~ 18
- ③ Connector form: T plug, Z socket
- ④ Contact type :J pin, K jack (TJ, ZK for fixed collocation)
- ⑤ Contact form, N straight insert printed board, W - curved insert printed board, H one welded, no mark one crimp Locking
- ⑥ attachment installation position:

Note: Additional description is not an integral part of the order mark, customers in the selection, please indicate in brackets crimped wire requirements such as: conductor core cross-sectional area, length and color; If the connection relationship is complicated, please provide the connection list.

Examples of flags:

J103-8TJSY5 (Conductor using AFR-250-0.12mm², wire length 300mm)

The above mark indicates that the number of contact parts is 8, the contact parts are pins, and the locking accessories are assembled in the 5th # hole of the crimped single-row side locking electrical connector plug; The cable should be AFR-250, the core cross-sectional area of the conductor should be 0.12mm², and the length of the conductor should not be less than 300mm.

Single row side locking electrical connectors with mounting holes

J103K - × × × × SY× (Additional note)
 ① ② ③ ④ ⑤ ⑥

- ① Main name Code: J103K
- ② Number of contacts: 2 ~ 18
- ③ Connector form: T plug, Z socket
- ④ Contact type: J pin, K jack (TJ, ZK for fixed collocation)
- ⑤ Contact form, N is inserted into the printed board, W is inserted into the printed board, H is welded, no mark is crimped Lock
- ⑥ attachment assembly position

Note: Additional description is not an integral part of the order mark, customers in the selection, please indicate in brackets crimped wire requirements such as: conductor core cross-sectional area, length and color; If the connection relationship is complicated, please provide the connection list.

Examples of flags:

J103K-8TJSYS (conductor using AFR-250-0.12mm², wire length 300mm)

The above marks indicate that the number of contact parts is 8, the contact parts are pins, and the locking accessories are assembled in the 5th # hole of the crimped single row with mounting holes on the side of the locking electric connector plug; The cable should be AFR-250, the core cross-sectional area of the conductor should be 0.12mm², and the length of the conductor should not be less than 300mm

The J103 series buckle locks rectangular electrical connectors

Order mark

Single row of electric connectors locked at both ends

J103B - X X X X S (Additional note)
 ① ② ③ ④ ⑤ ⑥

- ① Principal name code:
- ② Number of contacts: 2 ~ 18
- ③ Connector form: T plug, Z socket
- ④ Contact type: J pin, K jack (TJ, ZK for fixed collocation)
- ⑤ Contact form: N straight insert printed board, W - curved insert printed board, H - welded, no mark - crimped Locking
- ⑥ components:

Note: Additional description is not an integral part of the order mark, customers in the selection, please indicate in brackets crimped wire requirements such as: conductor core cross-sectional area, length and color; If the connection relationship is complicated, please provide the connection list.

Flag example

J103B-8TJS (Wire using AFR-250-0.12mm², wire length 300mm)

The above marks indicate that the number of contact parts is 8. The contact parts are pins and locking accessories assembled at both ends of the base. The cable should be AFR-250, the core cross-sectional area of the conductor should be 0.12mm², and the length of the conductor should not be less than 300mm

Double rows of electric connectors are locked at both ends

J103D - X X X X X (Additional note)
 ① ② ③ ④ ⑤ ⑥

- ① Nominal code
- ② Number of contact parts: 16, 28, 38, 48, 52, etc
- ③ Connector form :T plug, Z socket
- ④ Contact type :J pin, K - jack (TJ, ZK for fixed collocation)
- ⑤ Contact form, N straight insert printed board, W - bent insert printed board, H - welded, no mark one crimp Locking
- ⑥ components:

- S1: The position is near the first and last holes of row 1;
- S2: The position is next to the first and last holes in the other row; S3: The position is near the 1st and the last hole;
- S4: Next to the last hole in row 1 and the first hole in the other row

Note: Additional description is not an integral part of the order mark, customers in the selection, please indicate in brackets crimped wire requirements such as: conductor core cross-sectional area, length and color; If the connection relationship is complicated, please provide the connection list.

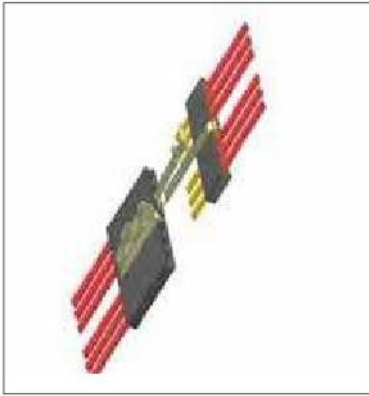
Flag example

J103D-16TJS1 (Wire using AFR-250-0.12mm², wire length 300mm)

The above marks indicate that the number of contact parts is 16, the contact parts are pins, and the locking accessories are assembled in the first and last holes of row 1. The cable should be AFR-250, the core cross-sectional area of the conductor should be 0.12mm², and the length of the conductor should not be less than 300mm

The J103 series buckle locks rectangular electrical connectors

Stereogram of single row side locking electrical connector



Crimp type - Crimp type

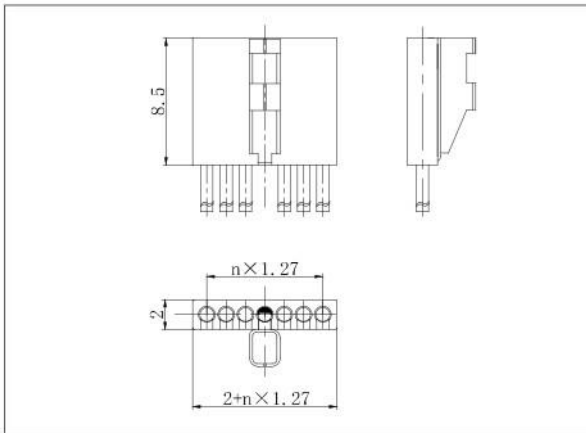


Crimp type straight insert printing plate

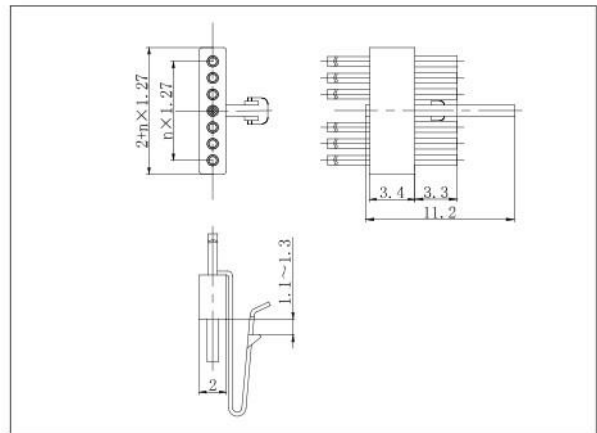


Crimp type curved insert printing plate

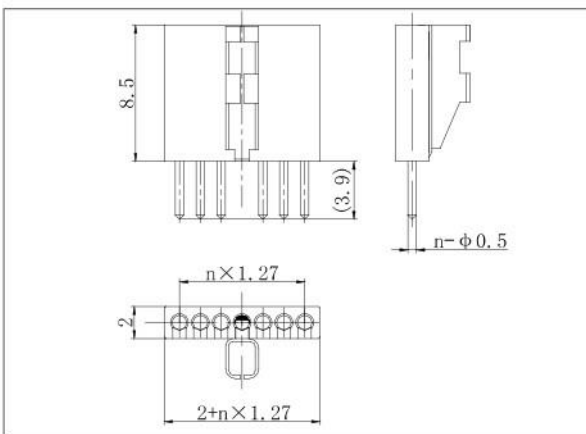
Product dimensions drawing



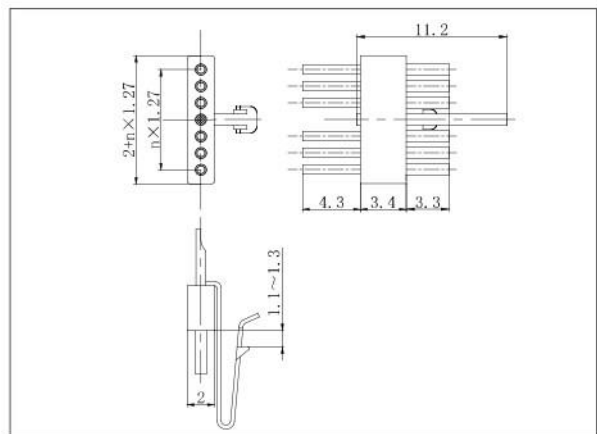
J103- □ TJSY □



J103- □ ZKSY □



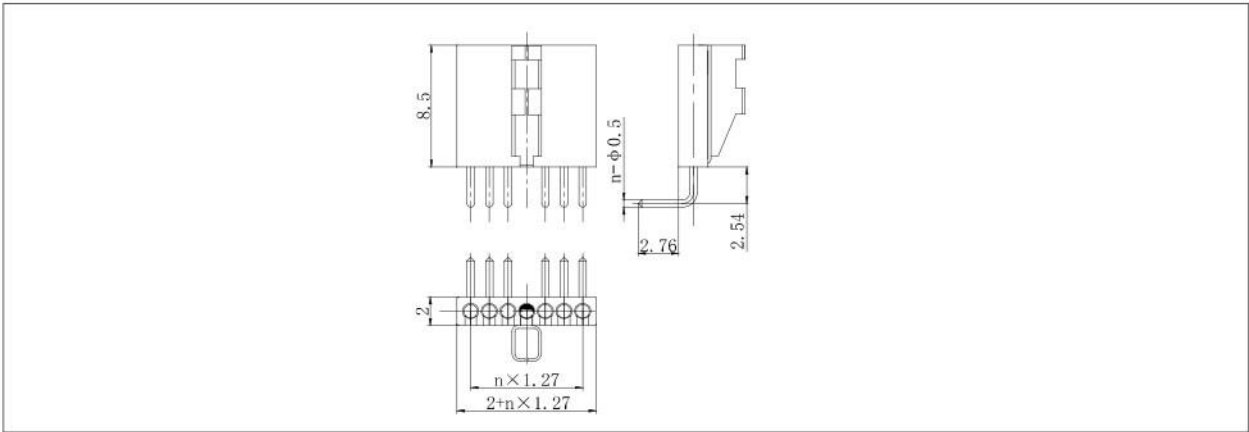
J103- □ TJNSY □



J103- □ ZKHSY □

The J103 series buckle locks rectangular electrical connectors

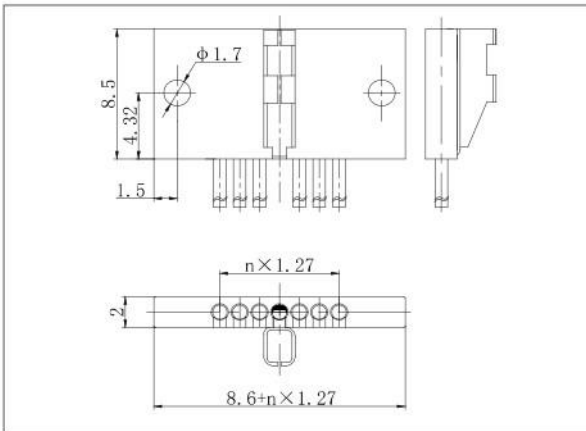
Product dimensions drawing



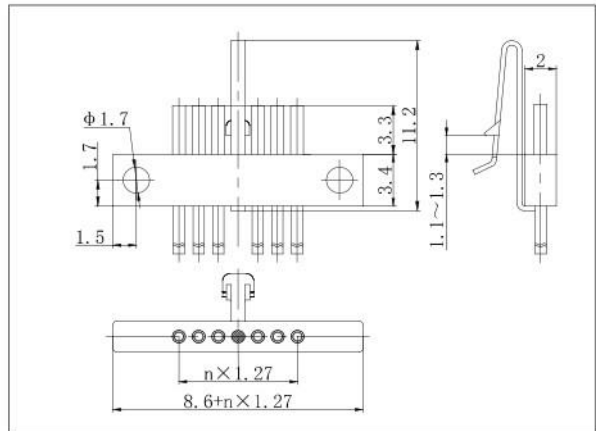
J103- □ TJWSY □

Single row side locking electrical connectors with mounting holes

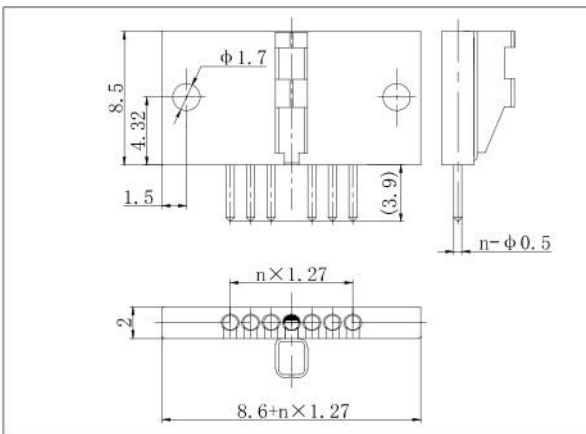
Product dimensions drawing



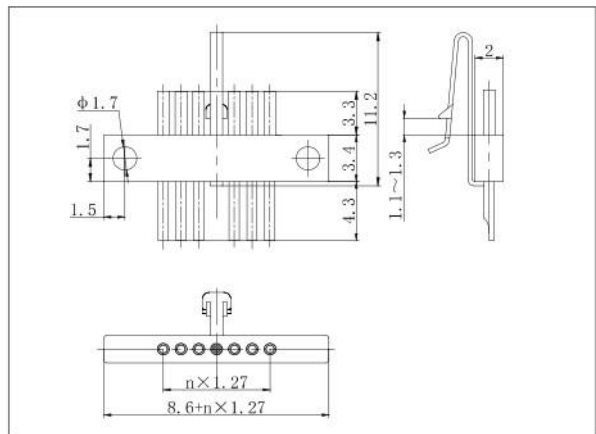
J103K- □ TJSY □



J103K- □ ZKSY □



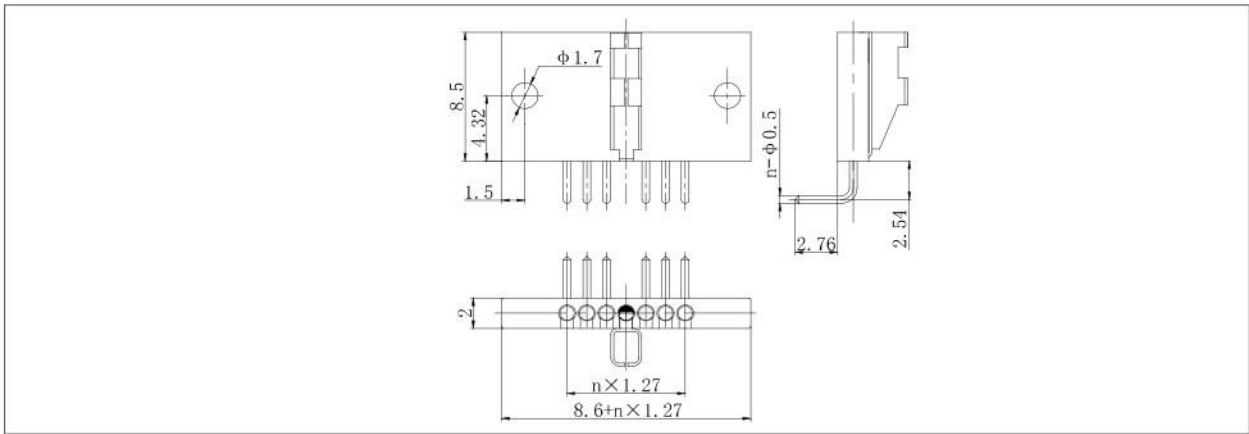
J103K- □ TJNSY □



J103K- □ ZKHSY □

The J103 series buckle locks rectangular electrical connectors

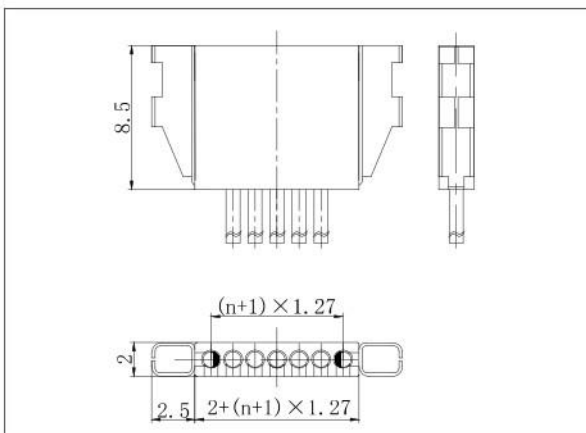
Product dimensions drawing



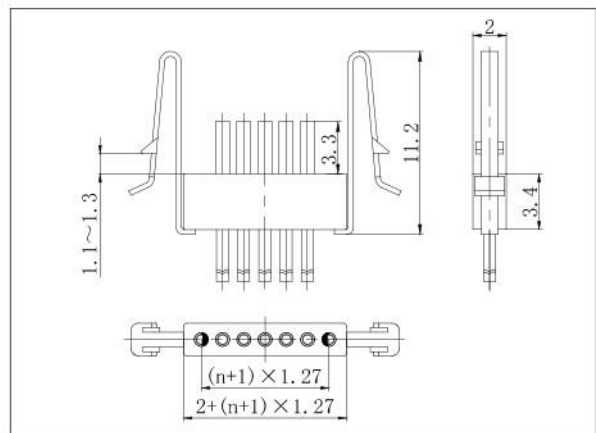
J103K- □ TJWSY □

Single row of electric connectors locked at both ends

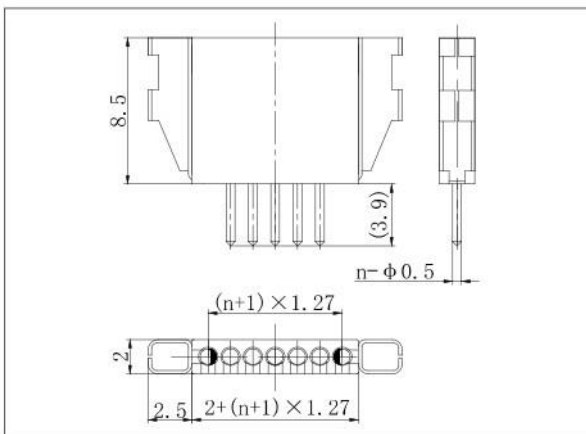
Product dimensions drawing



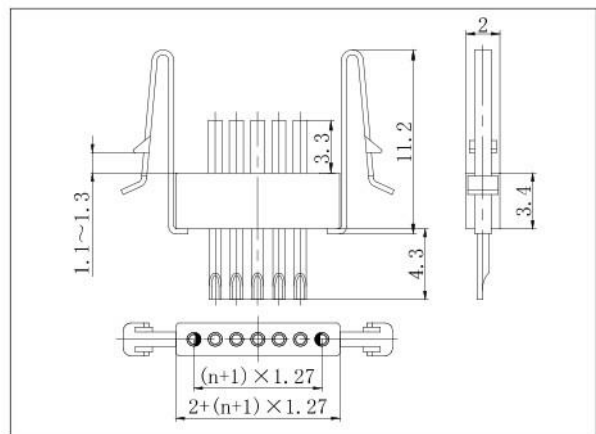
J103B- □ TJS



J103B- □ ZKS

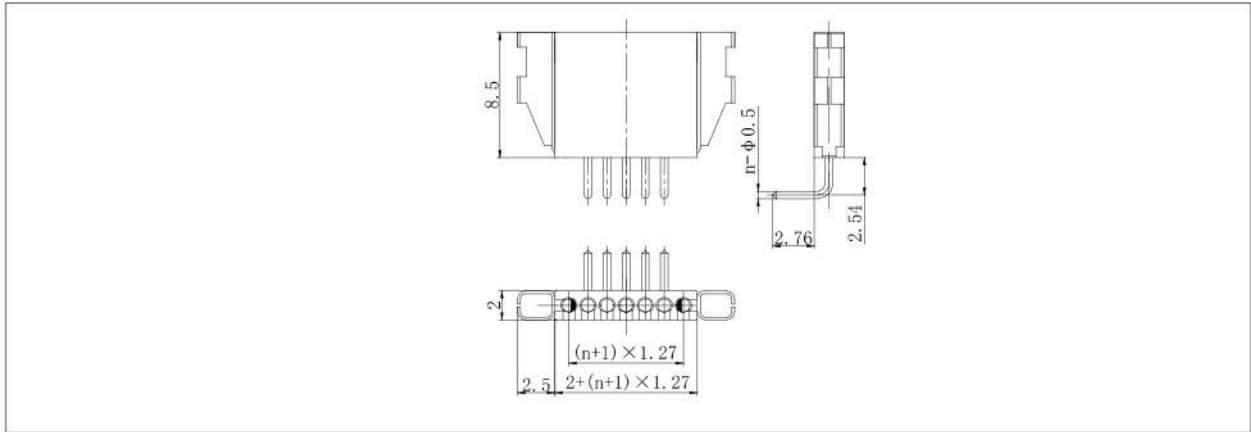
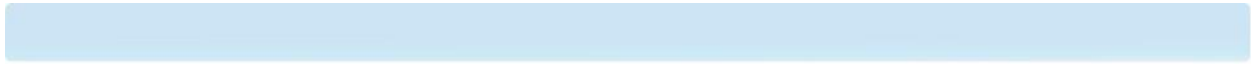


J103B- □ TJNS



J103B- □ ZKHS

The J103 series buckle locks rectangular electrical connectors



J103B- □ TJWS

The J103 series buckle locks rectangular electrical connectors

Product stereogram



Crimp type One crimp type

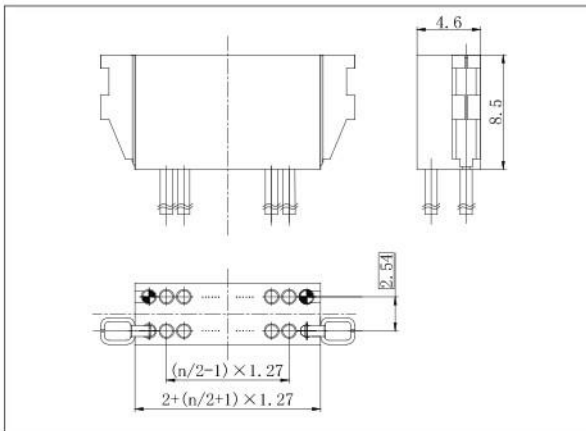


Crimp type straight insert printing plate

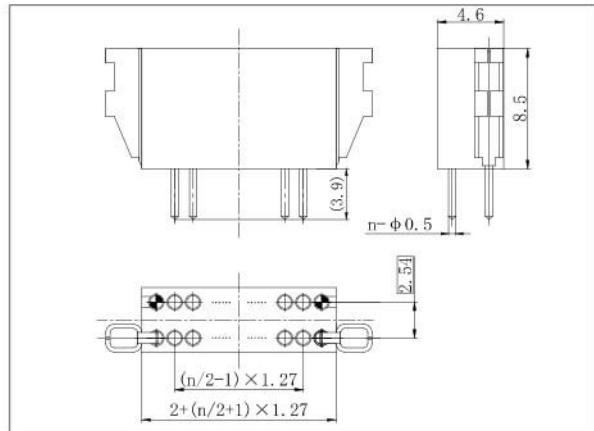


Crimp type - bent insert printing plate

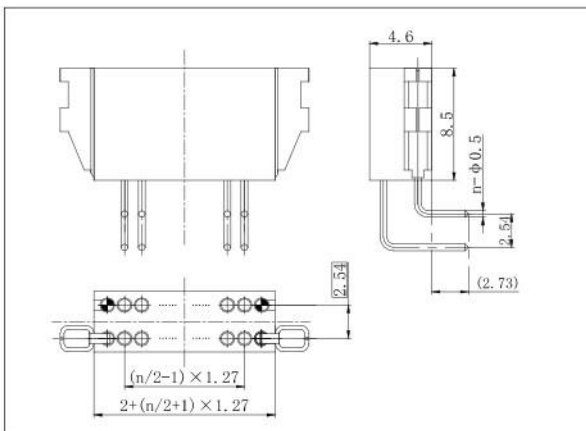
Product dimensions drawing



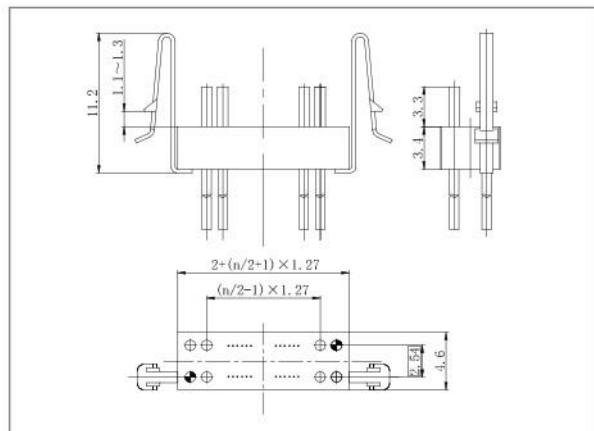
J103D- □ TJS □



J103D- □ TJNS □



J103D- □ TJWS □



J103D- □ ZKS □

CDbF series miniature rectangular electrical connectors

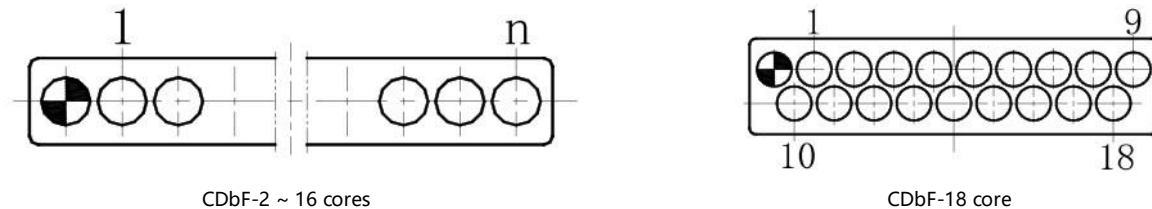
Brief introduction of characteristics

- Number of cores: There are 2, 3, 4, 5, 6, 7, 8, 9, 10, 11, 12, 13, 14, 15, 16, 18 cores in a total of 16 specifications Twisted
- elastic pin (twist needle), high contact density
- The product socket is equipped with a guide post and the plug is equipped with a plug
- Conductor core cross-sectional area 0.1mm² to 0.15mm²

Technical characteristics

- Ambient temperature: -55°C~+125°C Contact
- resistance: ≤10mΩ
- Insulation resistance: ≥ 5 000M Ω
- Medium voltage: 800V
- Oscillate: 10HZ~2000HZ 147M/S²
- Random vibration: Power spectral density 0.4G2/Hz, total speed root mean square value of 23.1G
- Impact: 735M/S²
- Mechanical life: 500 cycles

Spectral arrangement



Note: The above is the hole arrangement at the butt end of the plug. n is 2, 3, 4..... , 15, 16 cores)

Order mark

CDbF - × T/Z
 ① ② ③ (Additional note)

- ① Main name Code: CDbF
- ② Number of contact parts: 2, 3, 4, 5, 6, 7, 8, 9, 10, 11, 12, 13, 14, 15, 16, 18,
- ③ T/Z - Connector and contact type: T - plug insert pinZ-socket with jack

Note: Additional instructions are not part of the order mark. Please indicate the crimped wire specifications in brackets when selecting. For example: conductor core cross-sectional area, length and color, etc. If the wiring relationship is complex, please give the wiring relationship table.

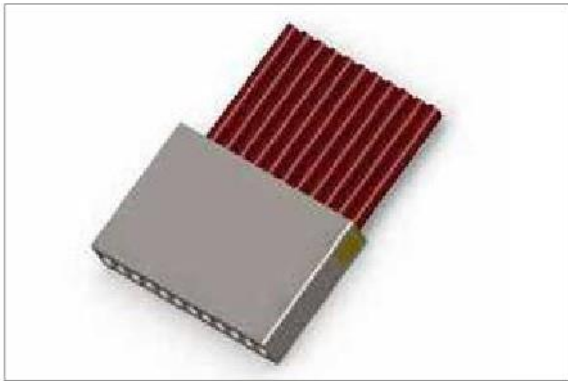
Flag example

CDbF-10Z (Additional instructions)

This mark indicates a CDbF connector with a number of contacts of 10 and a socket with a jack. (Additional instructions: conductor core cross-sectional area, length and color, etc.)

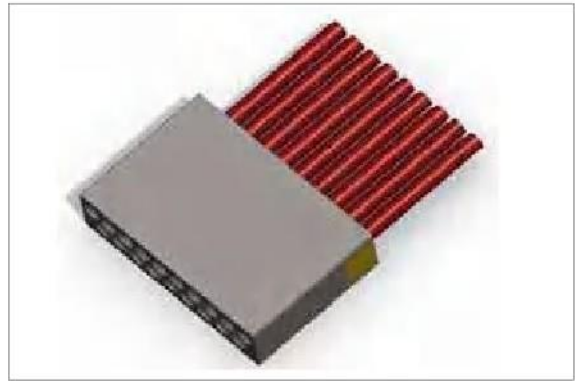
CDbF series miniature rectangular electrical connectors

Product stereogram



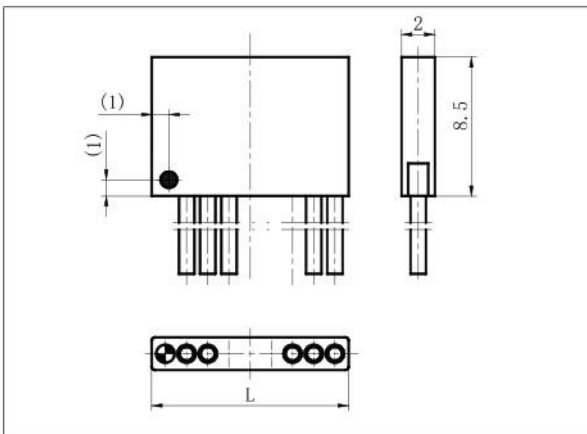
CDbF-11T

Product stereogram



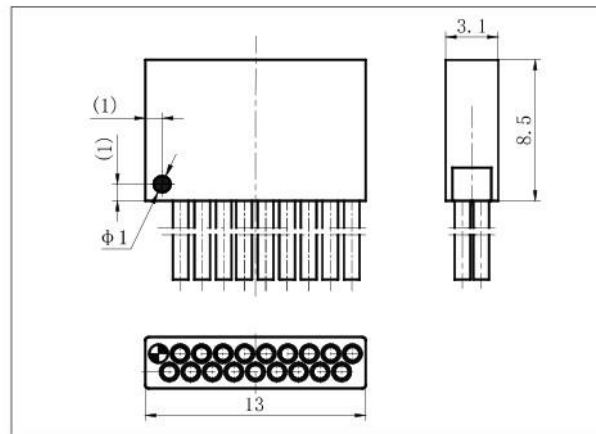
CDbF-18T

Product dimensions



CDbF-11T

Product dimensions

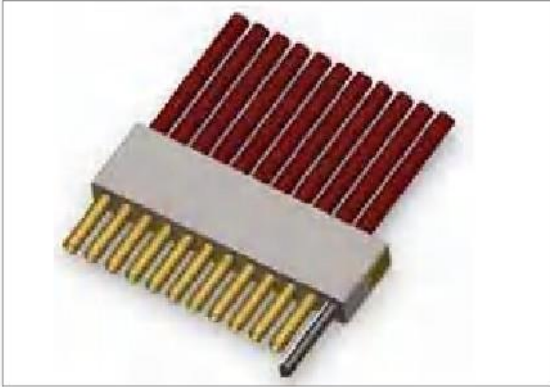


CDbF-18T

size	L	size	L	size	L	size	L
CDbF-2T	4.1	CDbF-6T	9.3	CDbF-10T	14.3	CDbF-14T	19.4
CDbF-3T	5.4	CDbF-7T	10.5	CDbF-11T	15.6	CDbF-15T	20.6
CDbF-4T	6.7	CDbF-8T	11.8	CDbF-12T	16.8	CDbF-16T	21.9
CDbF-5T	7.9	CDbF-9T	13	CDbF-13T	18.1		

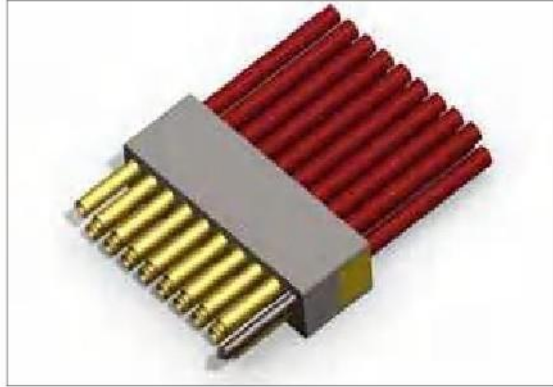
CDbF series miniature rectangular electrical connectors

Product stereogram



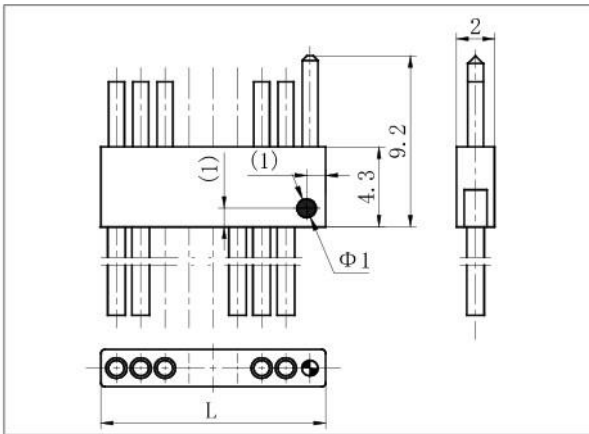
CDbF-11Z

Product stereogram



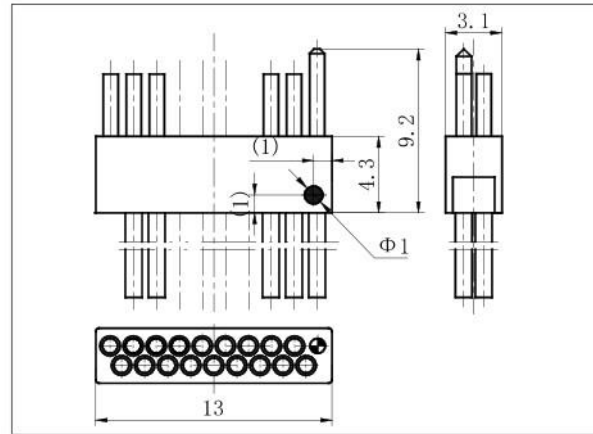
CDbF-18Z

Product dimensions



CDbF-11Z

Product dimensions

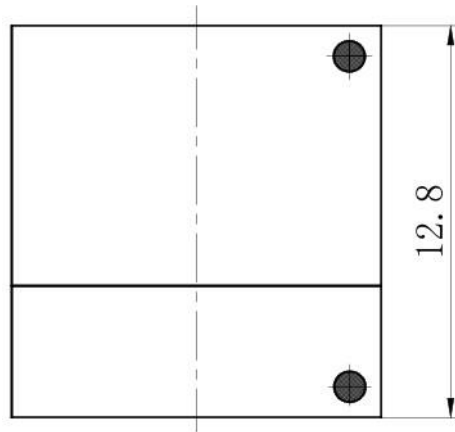


CDbF-18Z

size	L	size	L	size	L	size	L
CDbF-2Z	4.1	CDbF-6Z	9.3	CDbF-10Z	14.3	CDbF-14Z	19.4
CDbF-3Z	5.4	CDbF-7Z	10.5	CDbF-11Z	15.6	CDbF-15Z	20.6
CDbF-4Z	6.7	CDbF-8Z	11.8	CDbF-12Z	16.8	CDbF-16Z	21.9
CDbF-5Z	7.9	CDbF-9Z	13	CDbF-13Z	18.1		

CDbF series miniature rectangular electrical connectors

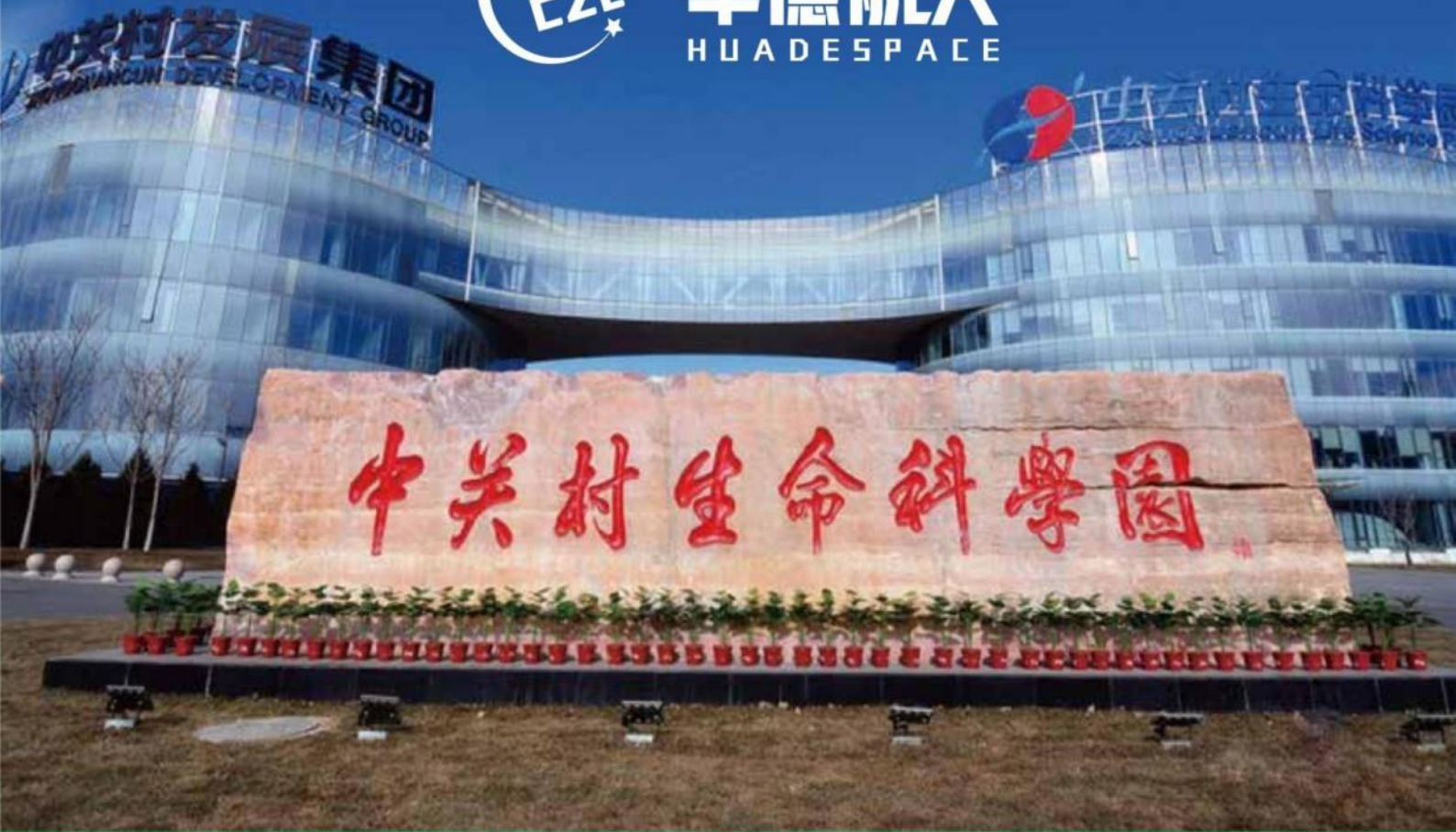
Product butt dimensions drawing



Scan the QR code to add me as friend



华德航天
HUADESPACE



High Quality Quick Response Quality Service And Low Cost
Dedicated To Providing Optimal Interconnect Solutions

Beijing Huade Aerospace Technology Co., LTD

Tel: +98-09121989458

Fax: +98-66753831

Production Base: Building 5, Fengze Science and Technology Park, 170
West Avenue, High-tech Zone, Xi 'an, Shaanxi

Tel: +98-09121989458

Fax: 021-66753831

<https://nasirelectronic.com>

华德航天
HUADESPACE

