

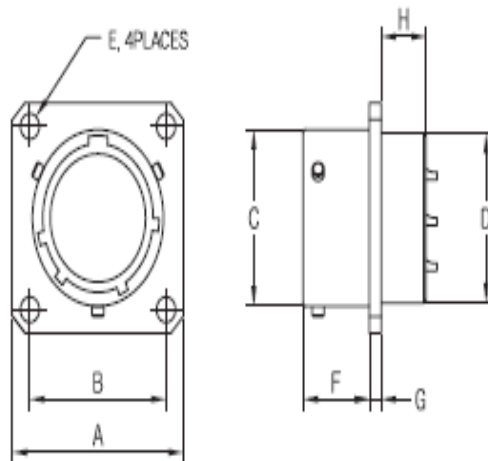
JW26482-I Series

MIL-DTL-26482-I Style

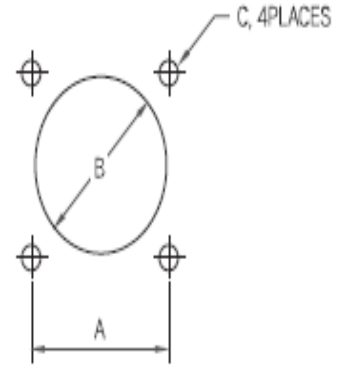
JW3112E

(MS 3112 Style)

Box Mounting Receptacle



Box and Wall Mounting Receptacle
(Front Mounting)



UNIT: mm

Size	A Max.	B ±0.10	ØC +0.00 -0.15	ØD Max.	ØE ±0.13	F +0.79 -0.00	G ±0.41	H
8	21,03	15,09	12,04	11,91	3,05	10,95	1,57	8,99
10	24,23	18,26	15,01	15,06	3,05	10,95	1,57	8,99
12	26,59	20,62	19,08	18,26	3,05	10,95	1,57	8,99
14	28,98	23,01	22,25	21,41	3,05	10,95	1,57	8,99
16	31,34	24,61	25,43	24,61	3,05	10,95	1,57	8,99
18	33,73	26,97	28,60	27,76	3,05	10,95	1,57	8,99
20	36,91	29,36	31,78	30,96	3,05	14,12	2,39	10,59
22	40,08	31,75	34,95	34,11	3,05	14,12	2,39	10,59

UNIT: mm

Size	A	ØB +0.25 -0.00	ØC ±0.13
8	15,09	15,0	3,17
10	18,26	18,0	3,17
12	20,62	21,0	3,17
14	23,01	24,0	3,17
16	24,61	27,0	3,17
18	26,97	30,0	3,17
20	29,36	34,0	3,17
22	31,75	36,0	3,17